



US00D918404S

(12) **United States Design Patent** (10) **Patent No.:** **US D918,404 S**  
**Wersland et al.** (45) **Date of Patent:** **\*\* May 4, 2021**

- (54) **MESSAGE ELEMENT**
- (71) Applicant: **Theragun, Inc.**, Beverly Hills, CA (US)
- (72) Inventors: **Jason Wersland**, Manhattan Beach, CA (US); **Benjamin Nazarian**, Los Angeles, CA (US); **Jaime Sanchez Solana**, Los Angeles, CA (US)
- (73) Assignee: **THERAGUN, INC.**, Beverly Hills, CA (US)
- (\*\*) Term: **15 Years**
- (21) Appl. No.: **29/740,763**
- (22) Filed: **Jul. 7, 2020**

**Related U.S. Application Data**

- (62) Division of application No. 29/677,157, filed on Jan. 17, 2019, now Pat. No. Des. 890,943.
- (51) **LOC (13) Cl.** ..... **28-03**
- (52) **U.S. Cl.**  
USPC ..... **D24/211**
- (58) **Field of Classification Search**  
USPC ..... D24/200, 211, 212, 213, 214, 215;  
D26/113, 154; D8/300, 378; D9/434,  
D9/443, 454; D11/181  
CPC .... A61H 2015/0014; A61H 2015/0042; A61H  
23/006; A61H 33/6089; A61H 7/007  
See application file for complete search history.

(56) **References Cited**

**U.S. PATENT DOCUMENTS**

D101,245 S	9/1936	Tompkins
D190,636 S	6/1961	Schlosser
D271,285 S	11/1983	Lauren
D275,733 S	10/1984	Pardo
D286,182 S	10/1986	Hilman
D324,106 S	2/1992	Greenblatt
D357,322 S	4/1995	Matthews

D372,185 S	7/1996	Doughty	
D378,539 S *	3/1997	Scott	D24/211
5,678,703 A	10/1997	Sawyer	
D403,076 S *	12/1998	York	D24/214
6,013,042 A	1/2000	Sakai	
6,102,876 A	8/2000	Winger	
6,309,331 B1	10/2001	Raymond	

(Continued)

**OTHER PUBLICATIONS**

Theragun, "Dampener", Mar. 2, 2021. <https://www.theragun.com/US/en-US/dampener.html?cgid=percussive-devices-accessories#prefn1=collectionsPLP&prefv1=accessories&start=1>. Shown on p. 1. (Year: 2021).\*

(Continued)

*Primary Examiner* — Cynthia Ramirez  
*Assistant Examiner* — Michael S Maharajh  
(74) *Attorney, Agent, or Firm* — Jeffer Mangels; Butler & Mitchell LLP; Brennan C. Swain, Esq.

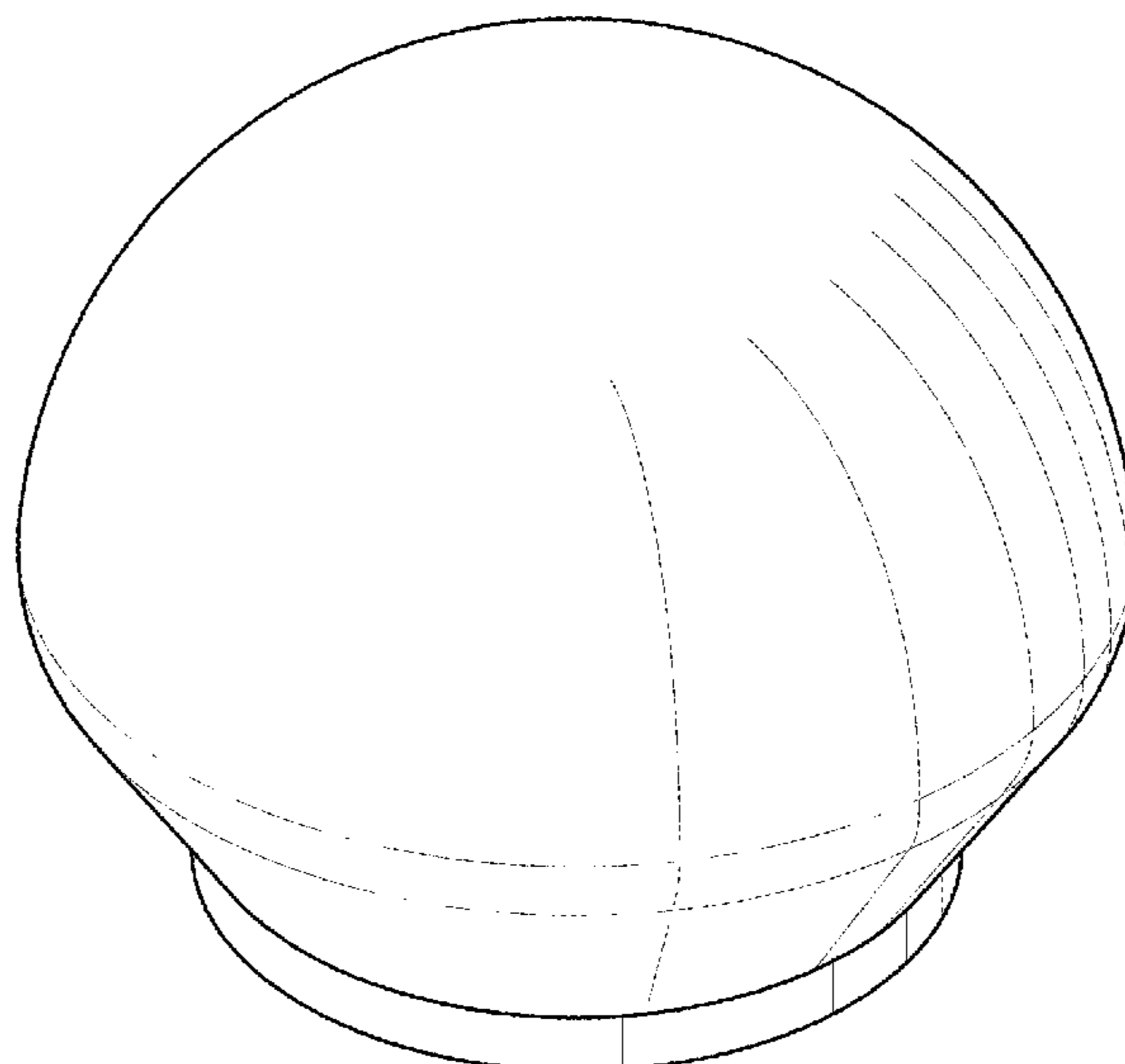
(57) **CLAIM**

The ornamental design for a massage element, as shown and described.

**DESCRIPTION**

FIG. 1 is a top perspective view of a massage element showing our new design;  
FIG. 2 is a top plan view thereof;  
FIG. 3 is a bottom plan view thereof;  
FIG. 4 is a front elevational view, the rear elevational view, right side elevational view and left side elevational view being mirror images thereof;  
FIG. 5 is a bottom perspective view thereof; and,  
FIG. 6 is a front elevational view thereof with a portion shown in cross-section.  
The broken lines in the drawings are for the purposes of illustrating portions of the massage element, which form no part of the claimed design.

**1 Claim, 5 Drawing Sheets**



(56)

References Cited

U.S. PATENT DOCUMENTS

D481,823 S \* 11/2003 McClow ..... D26/113  
 D502,264 S 2/2005 Timmer  
 D516,741 S 3/2006 Schuyler  
 D517,241 S 3/2006 Schuyler  
 D517,726 S 3/2006 Schuyler  
 D517,727 S 3/2006 Schuyler  
 D534,076 S 12/2006 Green  
 D563,557 S 3/2008 Fink  
 D567,951 S 4/2008 Fink  
 D567,953 S 4/2008 Fink  
 7,481,783 B1 1/2009 Kelley  
 D595,570 S 7/2009 Moretti  
 D600,177 S 9/2009 Komiyama  
 D607,116 S \* 12/2009 Morganstern ..... D24/211  
 D624,232 S \* 9/2010 Summers ..... F21V 33/0064  
 D638,134 S \* 5/2011 Nikitzuk ..... D26/113  
 D667,131 S 9/2012 Faussett ..... D24/215  
 D725,790 S \* 3/2015 Givord ..... D24/214  
 D759,488 S 6/2016 Gibson  
 D769,120 S 10/2016 Albuquerque  
 D772,689 S 11/2016 Zimmer  
 D774,655 S \* 12/2016 Ho ..... D24/200  
 D791,958 S 7/2017 Ho  
 D799,963 S 10/2017 Akiyama  
 D820,086 S 6/2018 Lynd  
 D822,842 S 7/2018 Viner  
 D825,067 S \* 8/2018 Ho ..... D24/200  
 D833,028 S \* 11/2018 Olivares ..... D24/215  
 D833,630 S \* 11/2018 Butler ..... D24/200  
 D837,636 S 1/2019 Wersland  
 D837,995 S \* 1/2019 Josselyn ..... D24/215  
 D841,829 S 2/2019 Evans  
 D845,499 S 4/2019 Wersland  
 D845,500 S 4/2019 Wersland  
 D848,631 S 5/2019 Reay  
 D849,260 S 5/2019 Wersland  
 D849,261 S 5/2019 Wersland  
 D850,639 S 6/2019 Wersland  
 D850,640 S 6/2019 Wersland  
 10,357,425 B2 7/2019 Wersland  
 D859,680 S 9/2019 Wersland  
 D861,182 S 9/2019 Wersland  
 D861,260 S 9/2019 Cunniff  
 D864,409 S \* 10/2019 Ehret ..... D24/215  
 D865,987 S 11/2019 Jacobs  
 D867,860 S 11/2019 Wersland  
 10,470,970 B2 11/2019 Nazarian  
 D870,896 S 12/2019 Komaki

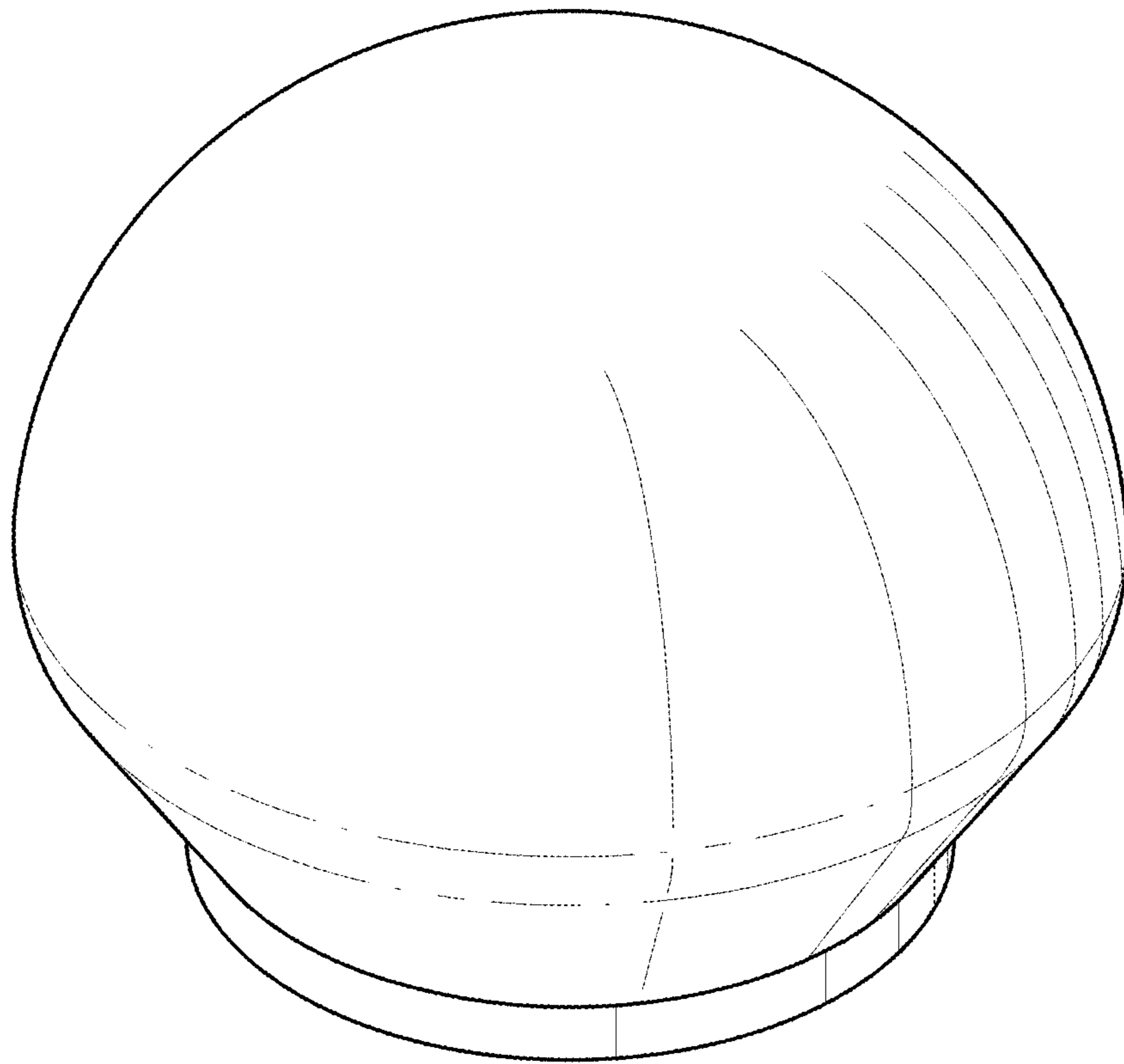
D872,295 S \* 1/2020 Friedman ..... D24/215  
 D874,668 S 2/2020 Park  
 D885,190 S 5/2020 Chen  
 D885,601 S 5/2020 Wersland  
 D888,265 S \* 6/2020 Dumler ..... D24/215  
 D888,979 S \* 6/2020 Chernyavskiy ..... D24/214  
 D890,942 S \* 7/2020 Wersland ..... D24/211  
 D890,943 S \* 7/2020 Wersland ..... D24/211  
 D896,393 S \* 9/2020 Wersland ..... D24/211  
 D910,192 S \* 2/2021 Schwarz ..... D24/214  
 2003/0212354 A1 \* 11/2003 Kahn ..... A61H 7/002  
 601/99  
 2004/0260213 A1 12/2004 Szczepanski  
 2008/0164393 A1 7/2008 Hung  
 2011/0247174 A1 10/2011 Keishold  
 2012/0103924 A1 5/2012 Chuang  
 2012/0261082 A1 10/2012 Stoughton  
 2012/0310125 A1 \* 12/2012 Hall ..... A61H 39/04  
 601/120  
 2013/0082017 A1 4/2013 Tang  
 2016/0255980 A1 9/2016 Barrett  
 2017/0000280 A1 1/2017 Mullet  
 2017/0027302 A1 2/2017 Gieux  
 2017/0304145 A1 \* 10/2017 Pepe ..... A61H 23/006  
 2019/0015294 A1 \* 1/2019 Nazarian ..... A61H 15/0085  
 2019/0017528 A1 1/2019 Wersland  
 2019/0175434 A1 \* 6/2019 Zhang ..... A61H 23/06  
 2019/0232403 A1 \* 8/2019 Candelaria ..... A61H 23/006  
 2019/0350793 A1 11/2019 Wersland  
 2020/0069510 A1 \* 3/2020 Wersland ..... A61H 15/0085  
 2020/0214930 A1 \* 7/2020 Wersland ..... A61H 1/00  
 2020/0261306 A1 \* 8/2020 Pepe ..... A61H 23/0254  
 2020/0352820 A1 \* 11/2020 Nazarian ..... A61H 23/02  
 2020/0390644 A1 \* 12/2020 Yang ..... A61H 1/00  
 2020/0405574 A1 \* 12/2020 Wersland ..... A61H 23/006  
 2021/0022955 A1 \* 1/2021 Wersland ..... A61B 5/1118  
 2021/0031030 A1 \* 2/2021 Min ..... H05B 45/20

OTHER PUBLICATIONS

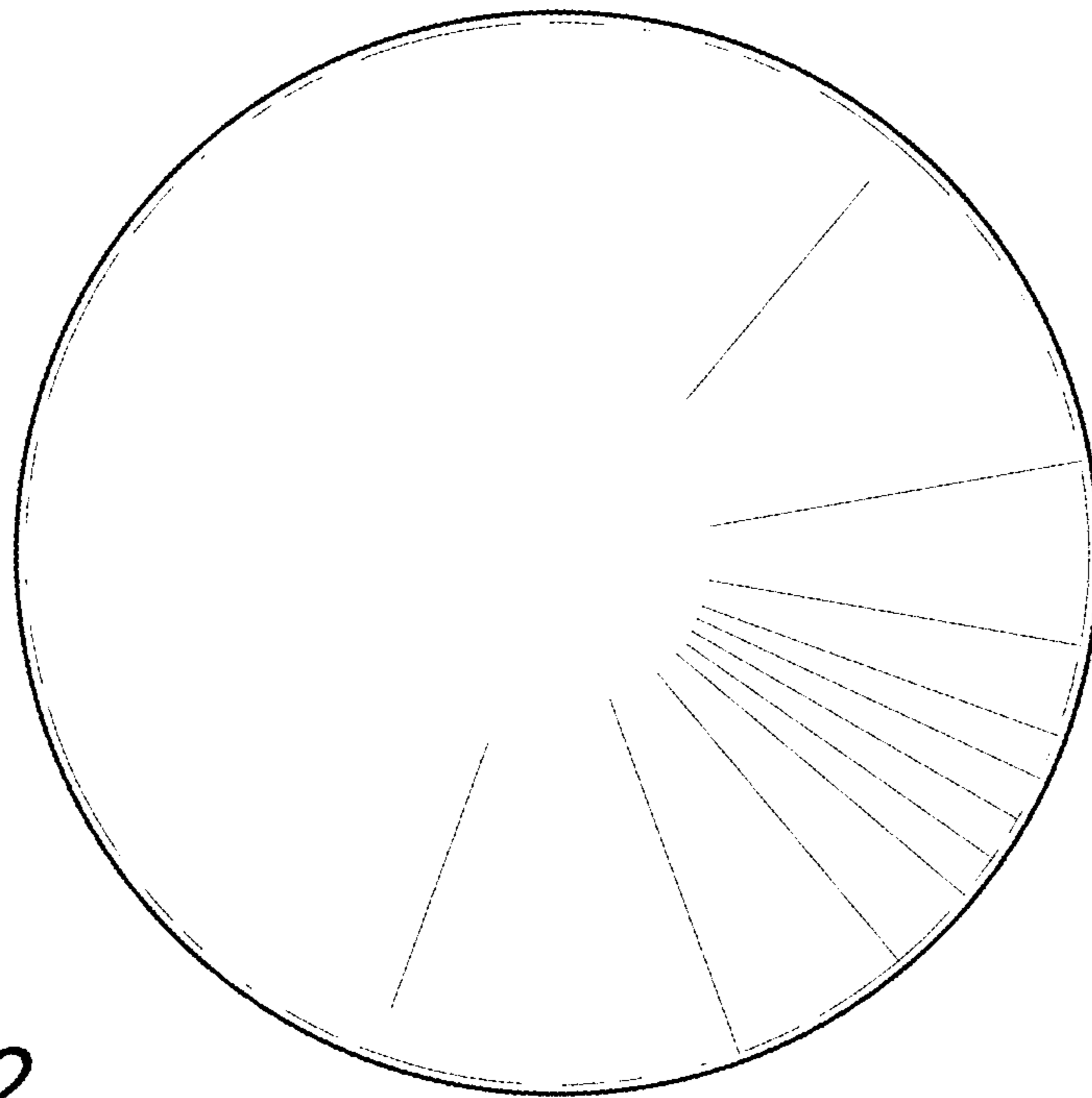
Amazon, "Theragun Elite", Aug. 27, 2020. [https://www.amazon.com/Theragun-Elite-Generation-Percussive-Treatment/dp/B086Z6XSW4/ref=cm\\_cr\\_arp\\_d\\_product\\_top?ie=UTF8](https://www.amazon.com/Theragun-Elite-Generation-Percussive-Treatment/dp/B086Z6XSW4/ref=cm_cr_arp_d_product_top?ie=UTF8). Shown on p. 1. (Year: 2020).\*

Amazon, "Theragun G3", May 24, 2019. [https://www.amazon.com/Theragun-Percussive-Treatment-Stimulator-Performance/product-reviews/B07W6KNZ26/ref=cm\\_cr\\_getr\\_d\\_paging\\_btm\\_next\\_17?ie=UTF8&reviewerType=all\\_reviews&sortBy=recent&pageNumber=17](https://www.amazon.com/Theragun-Percussive-Treatment-Stimulator-Performance/product-reviews/B07W6KNZ26/ref=cm_cr_getr_d_paging_btm_next_17?ie=UTF8&reviewerType=all_reviews&sortBy=recent&pageNumber=17). Shown on p. 1. (Year: 2019).

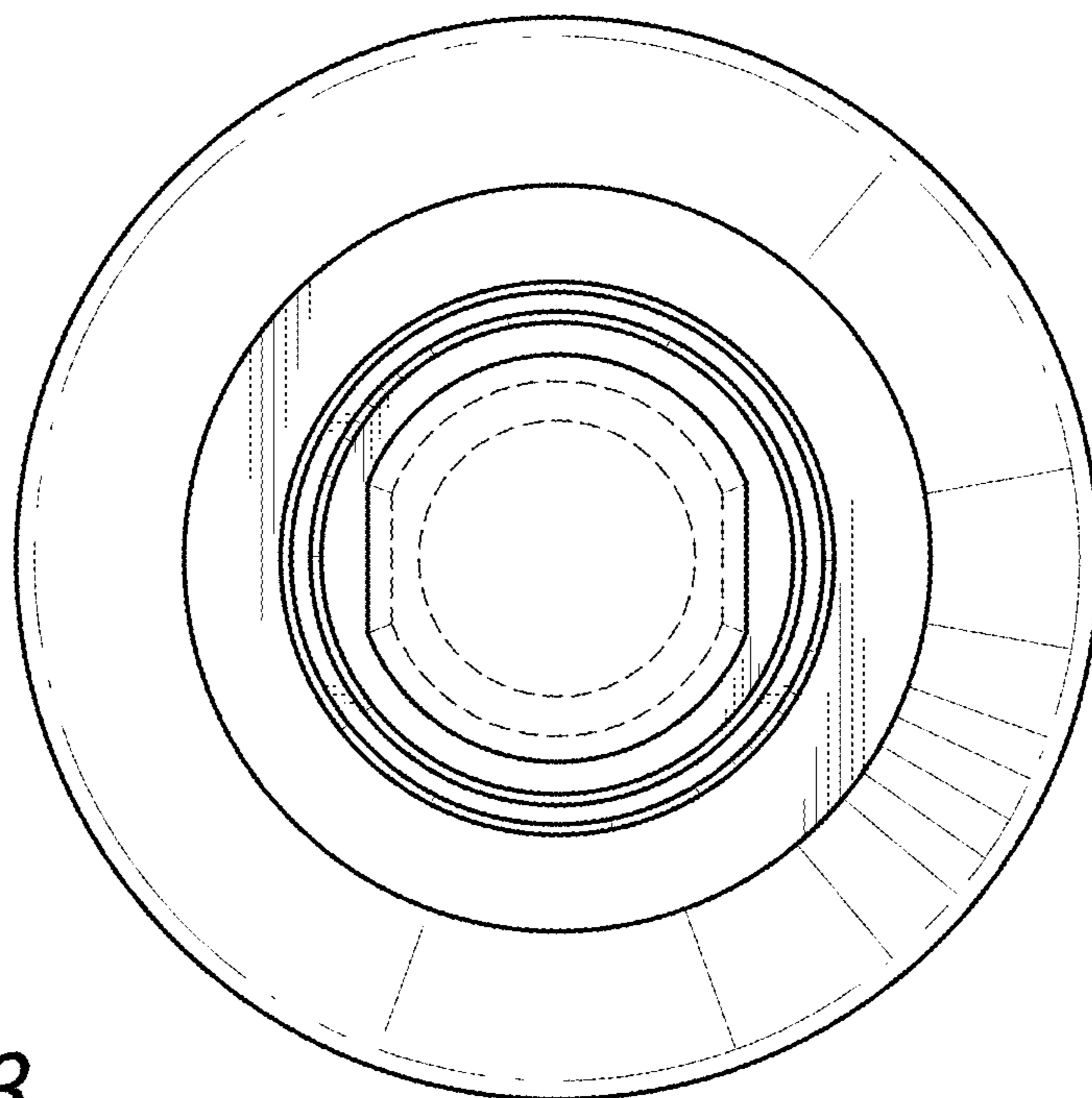
\* cited by examiner



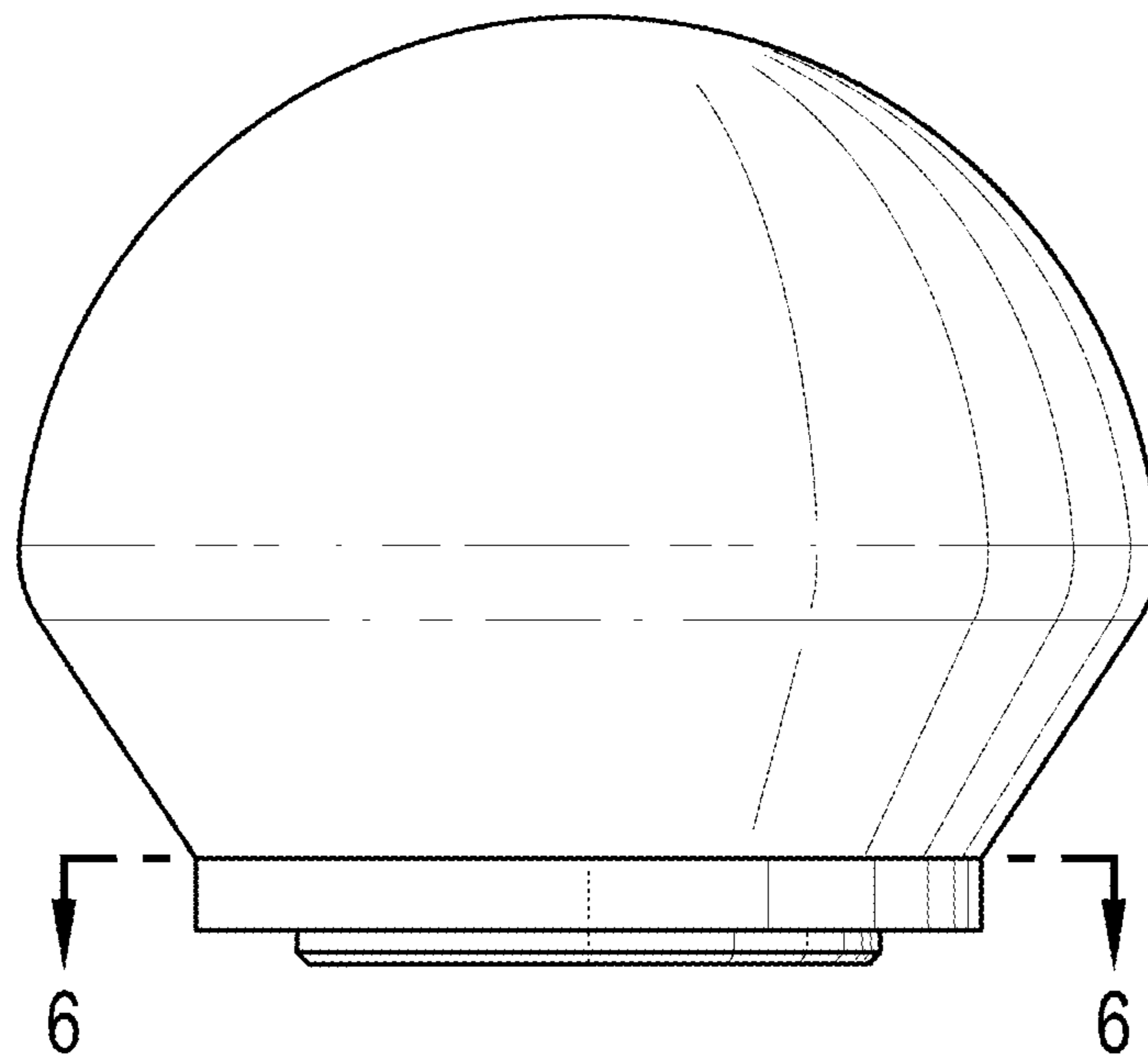
*FIG. 1*



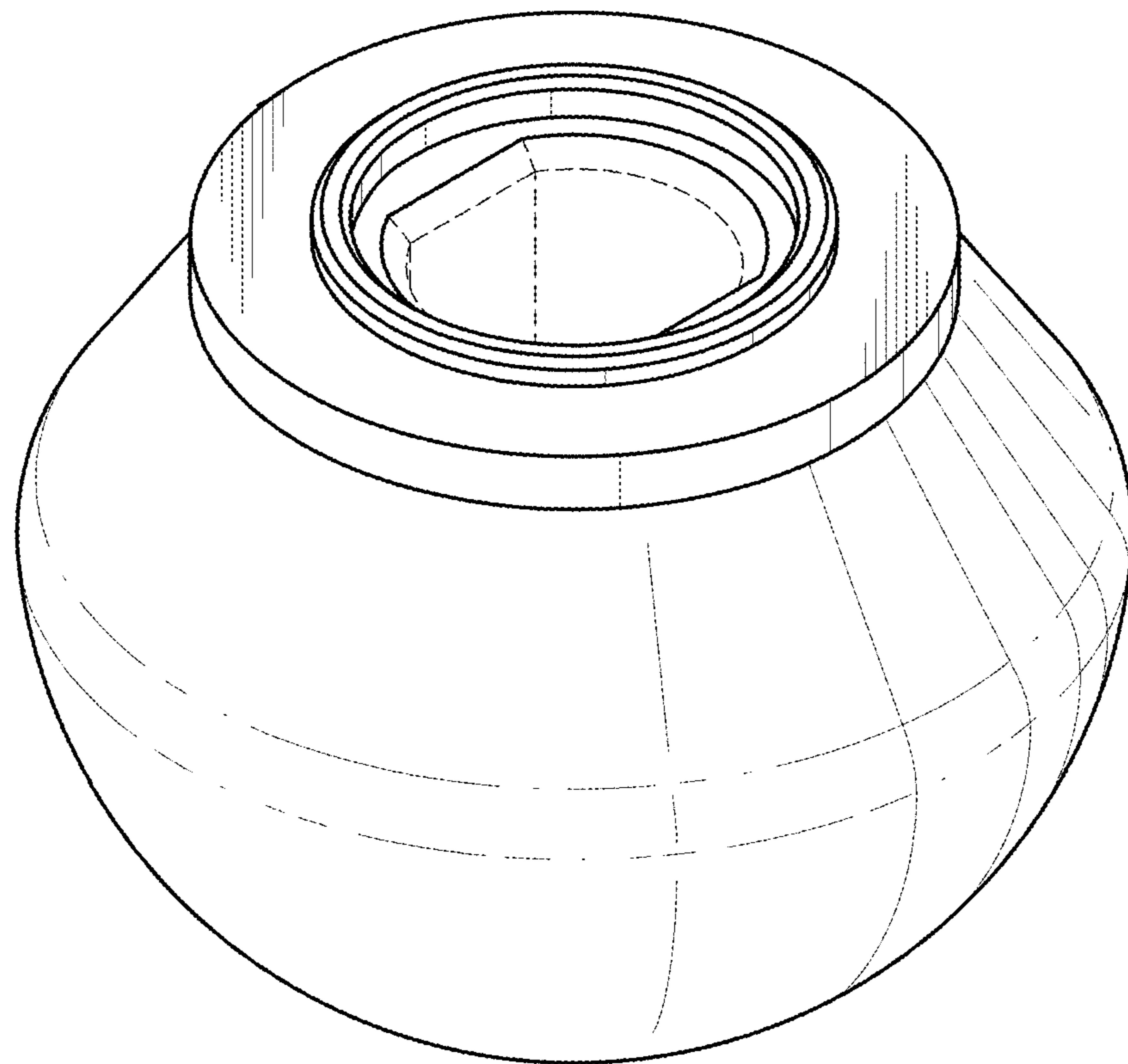
*FIG. 2*



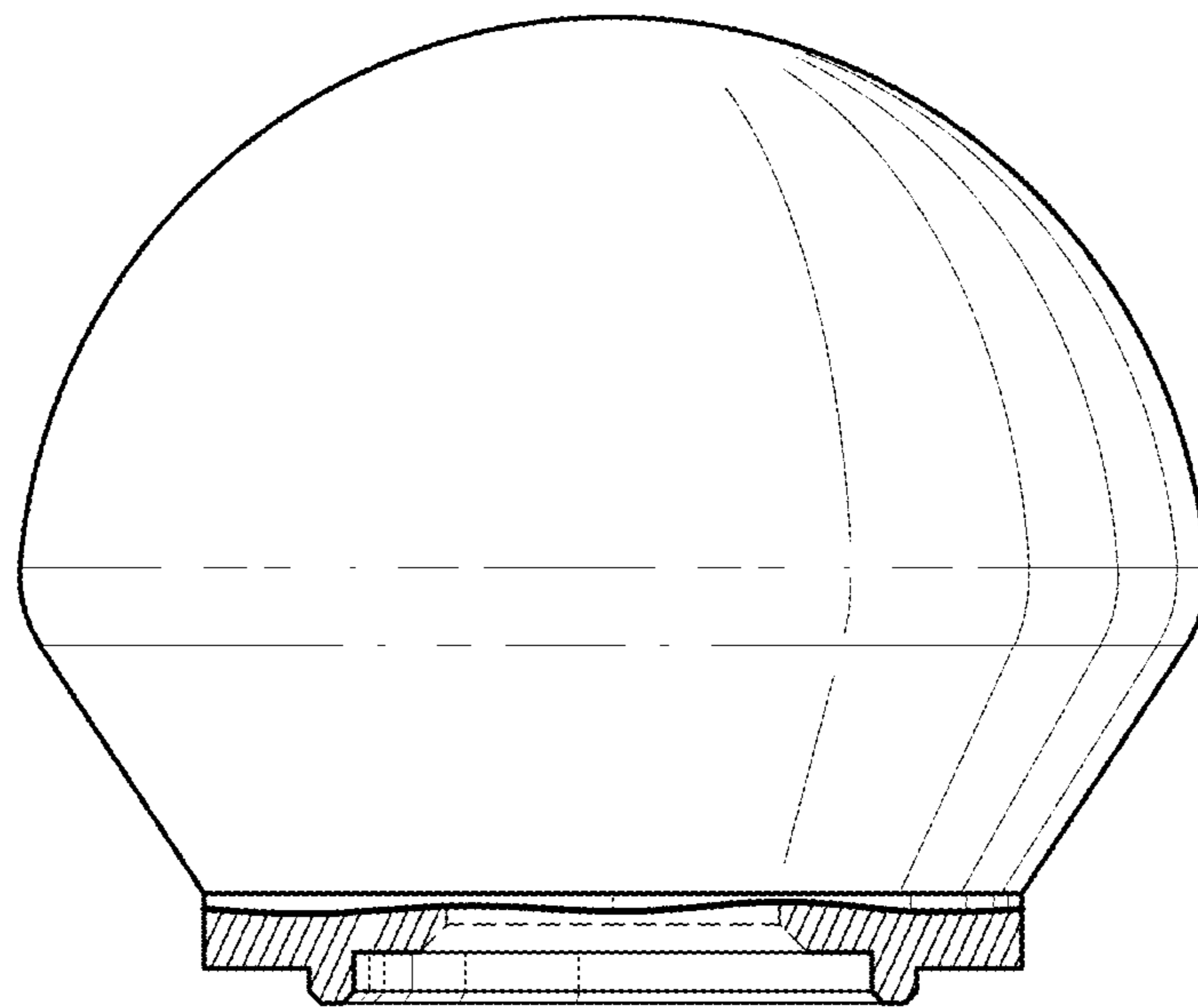
*FIG. 3*



*FIG. 4*



*FIG. 5*



*FIG. 6*