



US00D918403S

(12) **United States Design Patent**
Chen

(10) **Patent No.:** **US D918,403 S**

(45) **Date of Patent:** **** May 4, 2021**

(54) **WAIST TRIMMER**

(71) Applicant: **Wei Chen**, Jiujiang (CN)

(72) Inventor: **Wei Chen**, Jiujiang (CN)

(**) Term: **15 Years**

(21) Appl. No.: **29/741,170**

(22) Filed: **Jul. 10, 2020**

(51) **LOC (13) Cl.** **28-03**

(52) **U.S. Cl.**
USPC **D24/200; D24/190**

(58) **Field of Classification Search**
USPC D24/200, 215, 190; D21/662;
D2/701-702, 627
CPC A61F 5/0009; A61F 5/028; A61F 5/03;
A61F 5/026; A61F 5/30; A61F 7/02;
A61F 2007/0023; A63B 21/065; A61H
11/00; A61H 11/02; A61H 2011/005;
A61H 2205/083

See application file for complete search history.

(56) **References Cited**

U.S. PATENT DOCUMENTS

| | | | | | |
|------------|---|---------|--------------|-------|---------|
| D626,244 S | * | 10/2010 | Sagnip | | D24/190 |
| D707,917 S | | 7/2014 | James et al. | | |
| D797,400 S | | 9/2017 | Diles | | |
| D831,221 S | * | 10/2018 | Smith | | D24/190 |
| D849,361 S | | 5/2019 | Mouquet | | |
| D875,261 S | * | 2/2020 | Liu | | D24/190 |
| D881,515 S | * | 4/2020 | Mei | | D2/702 |
| D884,199 S | * | 5/2020 | Mei | | D24/190 |

| | | | | | |
|-----------------|---|---------|----------|-------|---------------------|
| D884,200 S | * | 5/2020 | Mei | | D24/190 |
| D888,971 S | * | 6/2020 | Ito | | D24/200 |
| 2009/0326427 A1 | * | 12/2009 | Kawahara | | A61F 5/30 602/19 |

FOREIGN PATENT DOCUMENTS

| | | | |
|----|----------------|---|--------|
| JP | D1659189 | * | 9/2019 |
| KR | 301024242.0000 | * | 1/2019 |

* cited by examiner

Primary Examiner — Wan Laymon

(57) **CLAIM**

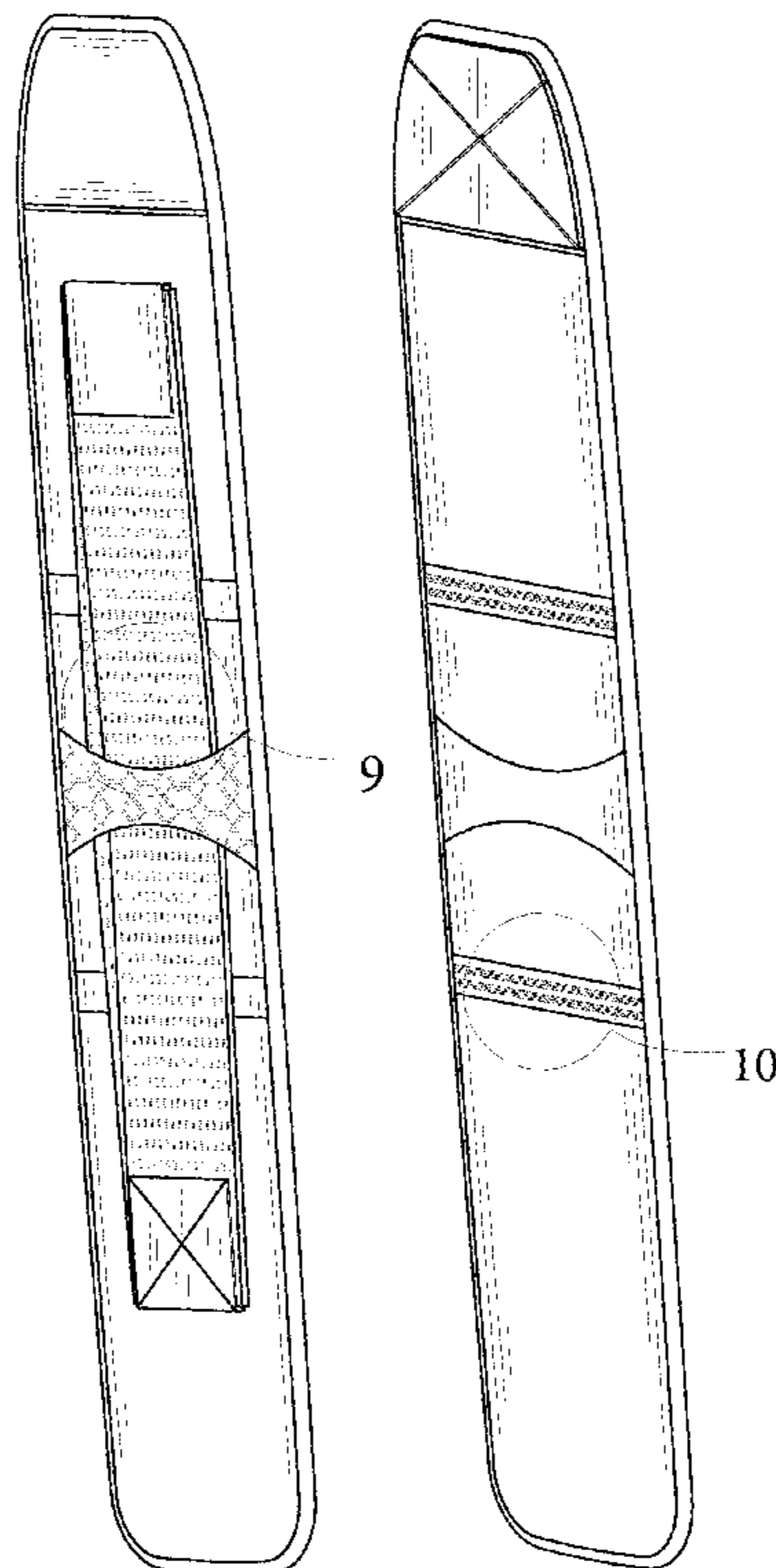
The ornamental design for a waist trimmer, as shown and described.

DESCRIPTION

FIG. 1 is a reduced front perspective view of a waist trimmer showing my new design;
 FIG. 2 is a reduced back perspective view thereof;
 FIG. 3 is a front view thereof;
 FIG. 4 is a back view thereof;
 FIG. 5 is a left side view thereof;
 FIG. 6 is a right side view thereof;
 FIG. 7 is an enlarged top view thereof;
 FIG. 8 an enlarged bottom view thereof;
 FIG. 9 is an enlarged view of a portion 9 encircled in FIG. 1; and,
 FIG. 10 is an enlarged view of a portion 10 encircled in FIG. 2.

The broken lines shown in the drawings depict portions of the waist trimmer in which the design is embodied that form no part of the claimed design.

1 Claim, 10 Drawing Sheets



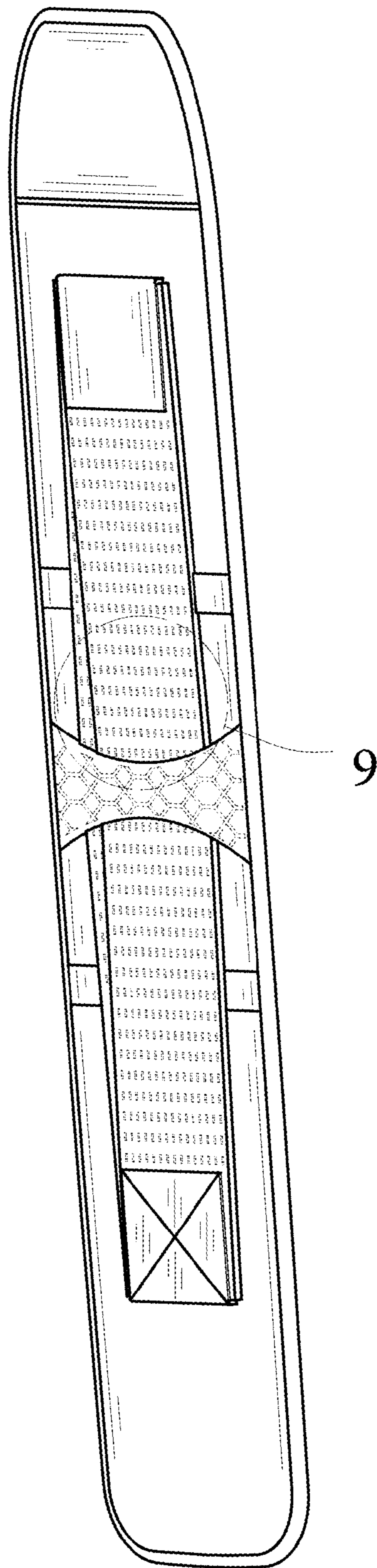


FIG. 1

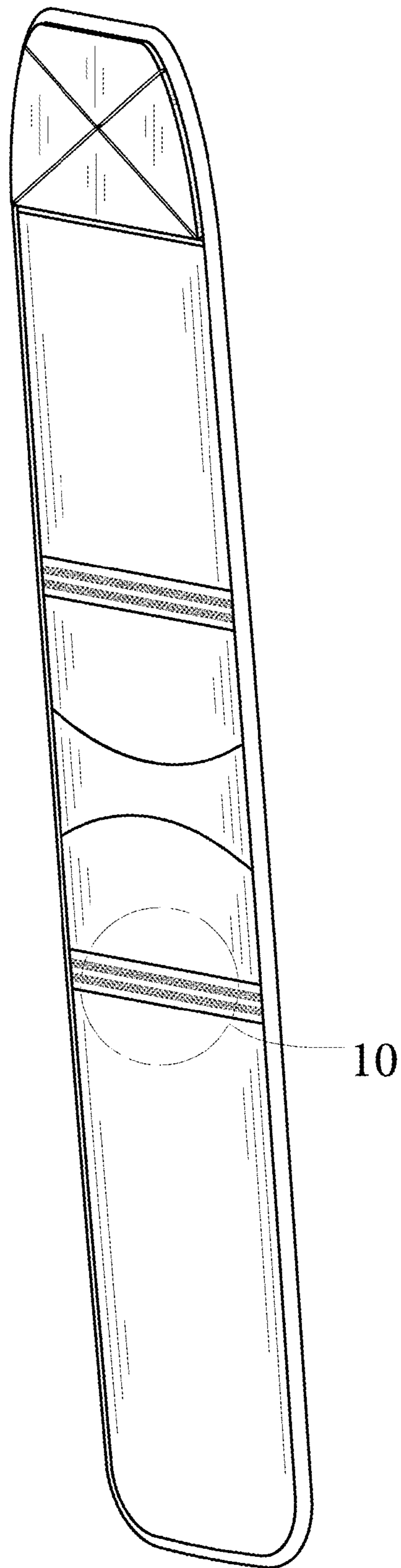


FIG. 2

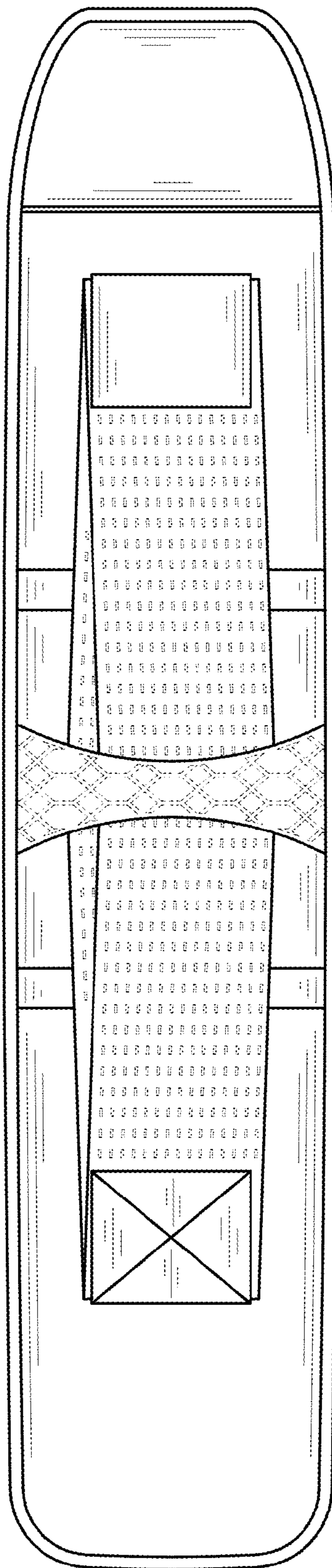


FIG.3

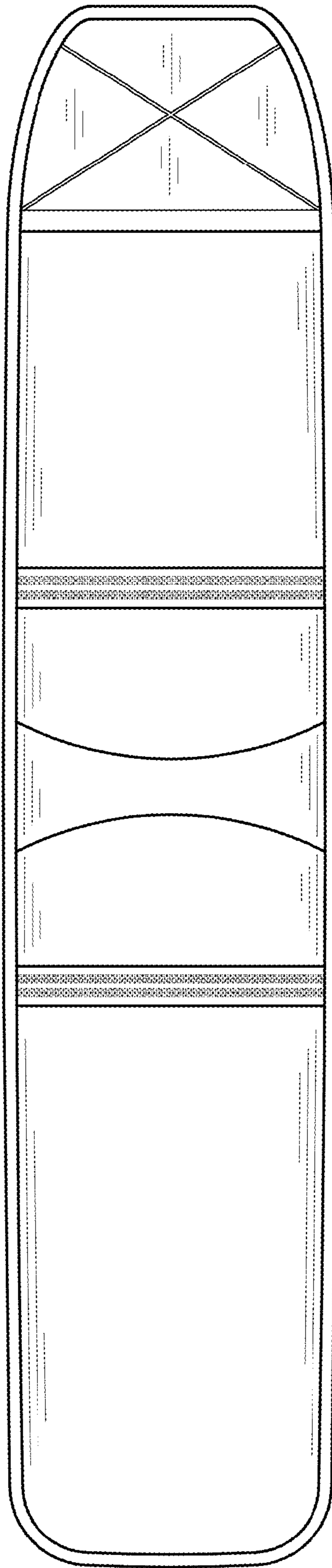


FIG.4

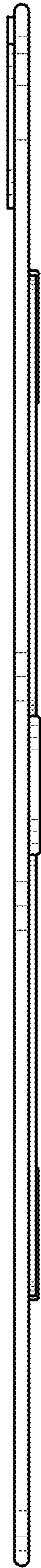


FIG.5



FIG.6

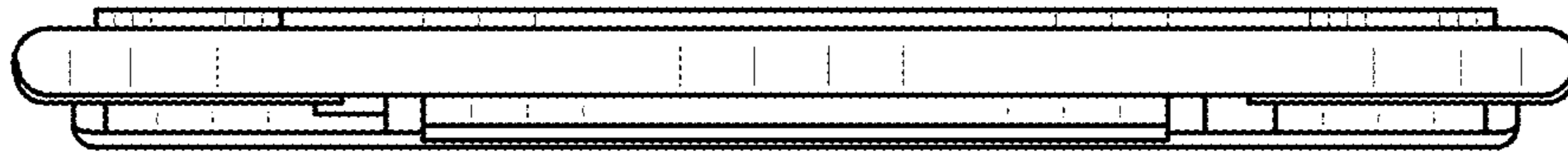


FIG.7



FIG.8

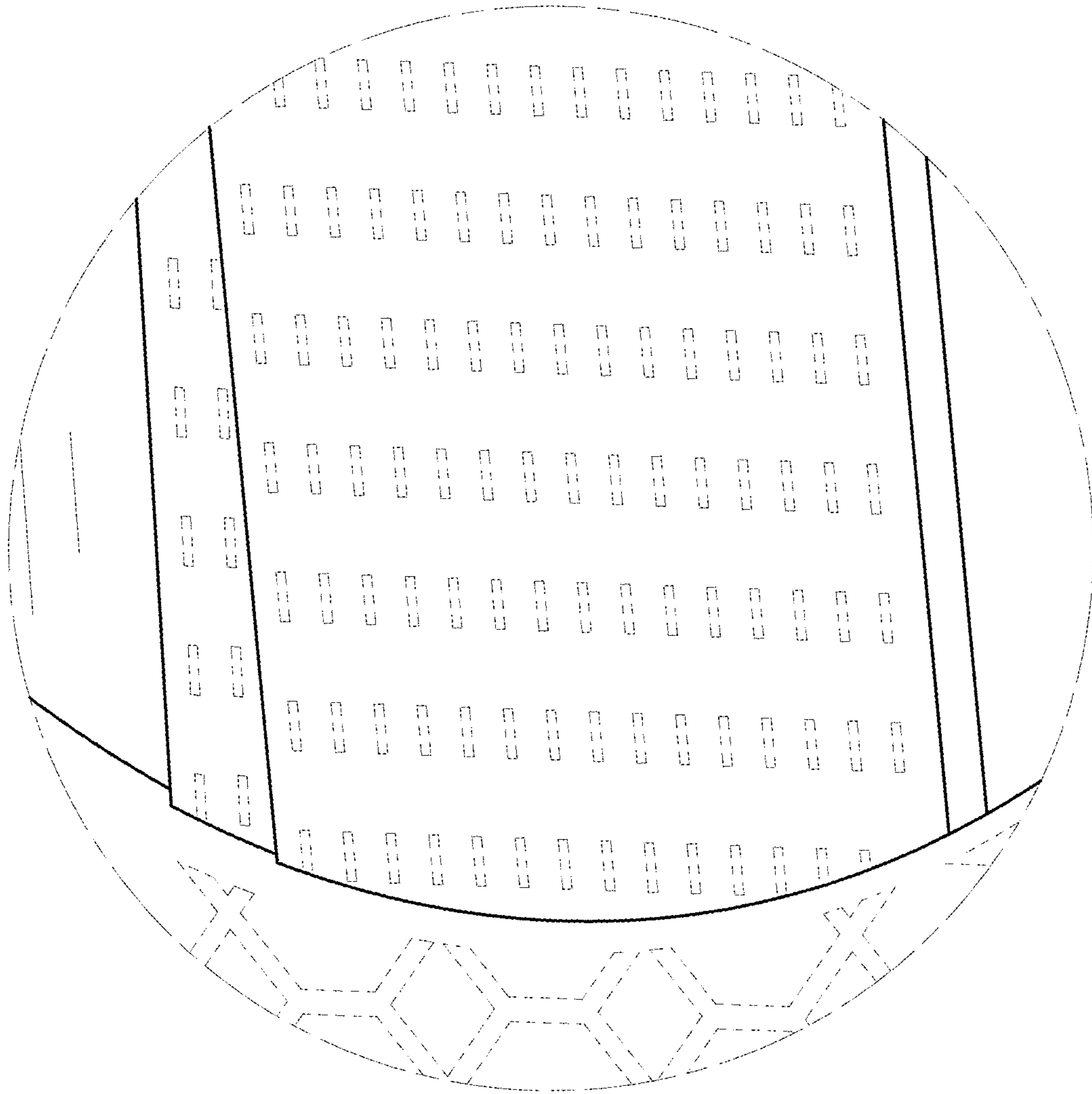


FIG.9

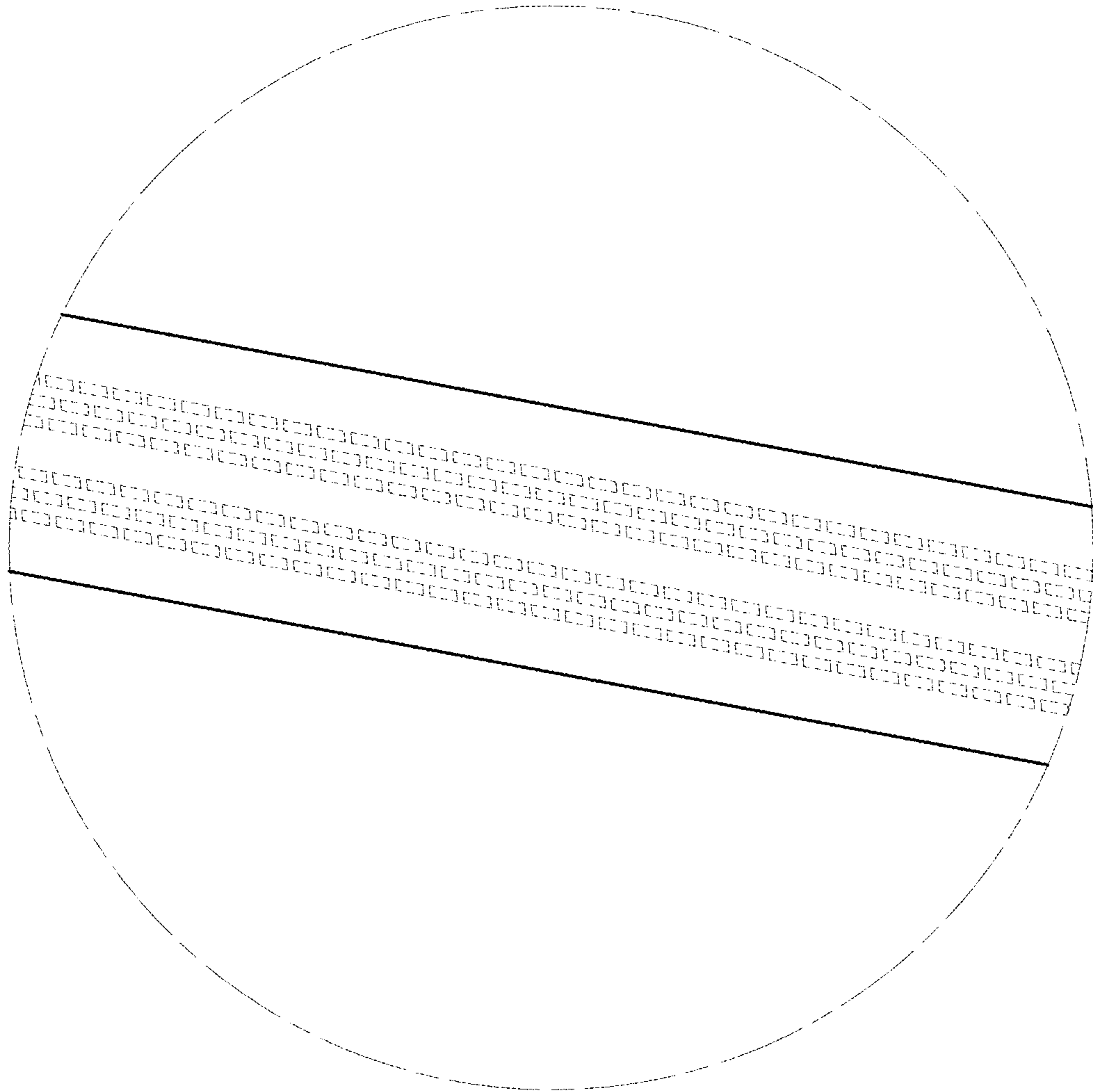


FIG.10