



US00D918402S

(12) **United States Design Patent** (10) **Patent No.:** **US D918,402 S**  
**Casalino et al.** (45) **Date of Patent:** **\*\* May 4, 2021**

(54) **BODY ORIFICE DEVICE**  
(71) Applicant: **BIOS SRL**, Vimodrone (IT)  
(72) Inventors: **Aldo Casalino**, Vimodrone (IT);  
**Lorenzo Casalino**, Cologno Monzese (IT)  
(73) Assignee: **BIOS SRL**, Milan (IT)  
(\*\*) Term: **15 Years**

7,695,489 B2 \* 4/2010 Brockman ..... A61N 5/045  
606/197  
D649,656 S \* 11/2011 Petersen ..... D24/215  
D824,028 S \* 7/2018 Alinsod ..... A61N 1/403  
D24/144  
D845,478 S \* 4/2019 Luke ..... D24/141  
2016/0121112 A1 5/2016 Azar  
2017/0209707 A1 7/2017 Casalino et al.  
2018/0333211 A1 11/2018 Tomasetti et al.  
2019/0365462 A1\* 12/2019 Casalino ..... A61B 18/18  
2020/0054868 A1\* 2/2020 Garcia ..... A61M 3/0279  
2020/0253817 A1\* 8/2020 Do Coutto ..... A61H 19/40

(21) Appl. No.: **29/701,685**  
(22) Filed: **Aug. 13, 2019**  
(51) **LOC (13) Cl.** ..... **28-03**  
(52) **U.S. Cl.**  
USPC ..... **D24/200**; D24/141  
(58) **Field of Classification Search**  
USPC ..... D24/141, 133, 140, 147, 185, 188, 200,  
D24/214–215; 601/135–137  
CPC ..... A63B 23/20; A63B 23/00; A61H 7/003;  
A61H 19/40; A61H 2205/087; A61B  
18/1485; A61N 1/403; A61N 1/0524;  
A61N 5/045; A61N 5/0603; A61N  
5/0601; A61N 2005/0611  
See application file for complete search history.

(56) **References Cited**  
U.S. PATENT DOCUMENTS  
4,785,828 A \* 11/1988 Maurer ..... A61N 1/0524  
128/DIG. 25  
5,875,778 A \* 3/1999 Vroegop ..... A61N 1/0524  
600/373  
6,068,626 A \* 5/2000 Harrington ..... A61B 18/1485  
128/831  
D446,580 S \* 8/2001 Allende ..... D24/141  
D465,852 S \* 11/2002 Bloch ..... D24/214  
6,553,266 B1 4/2003 Yuang  
D599,015 S \* 8/2009 Petersen ..... D24/133

**OTHER PUBLICATIONS**

European Search Report—corresponding EP Application No. 20190165, dated Dec. 8, 2020, 7 pages.

\* cited by examiner

*Primary Examiner* — Wan Laymon  
(74) *Attorney, Agent, or Firm* — ISUS Intellectual Property PLL; Anthony Jason Mirabito

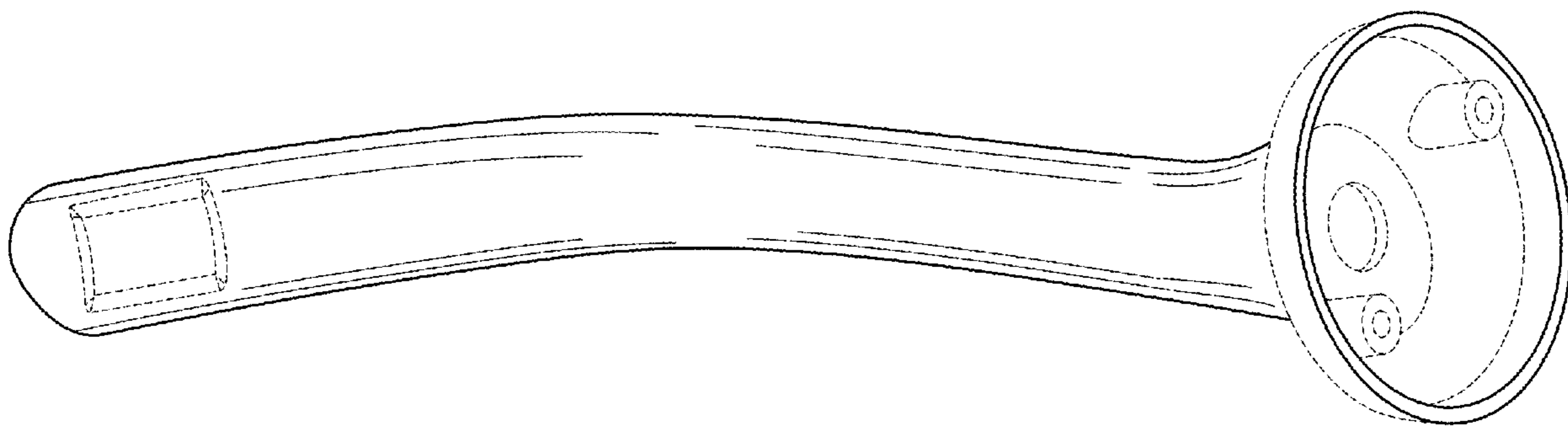
(57) **CLAIM**

The ornamental design for a body orifice device, as shown and described.

**DESCRIPTION**

FIG. 1 is a top perspective view of a body orifice device.  
FIG. 2 is a bottom perspective view thereof.  
FIG. 3 is a right side view thereof.  
FIG. 4 is a left side view thereof.  
FIG. 5 is a top view thereof.  
FIG. 6 is a bottom view thereof.  
FIG. 7 is a front view thereof; and,  
FIG. 8 is a rear view thereof.  
The broken lines in the drawings are for illustrative purposes only and form no part of the claimed design.

**1 Claim, 6 Drawing Sheets**



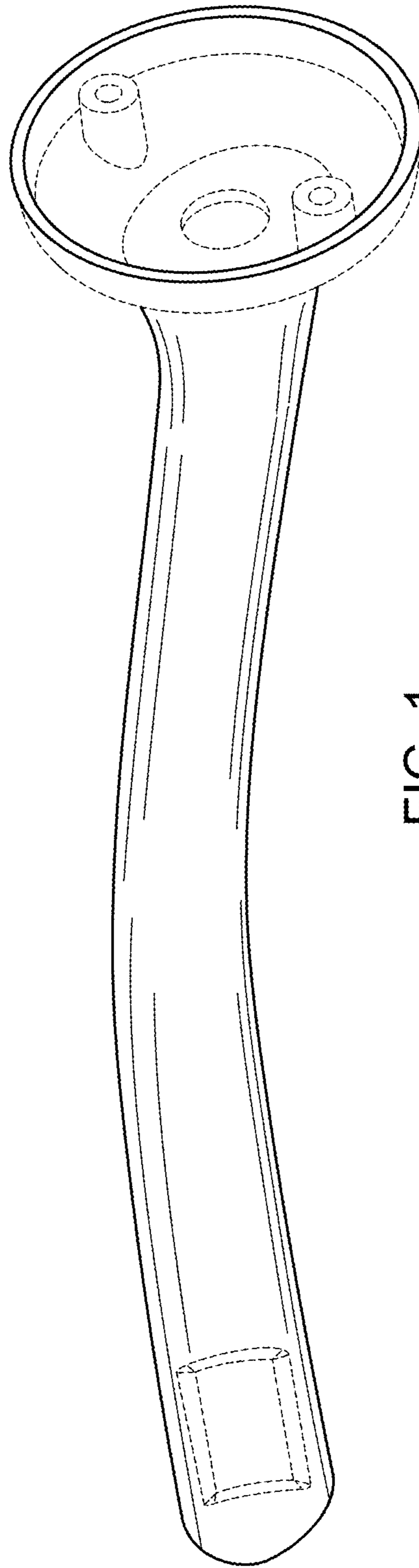


FIG. 1

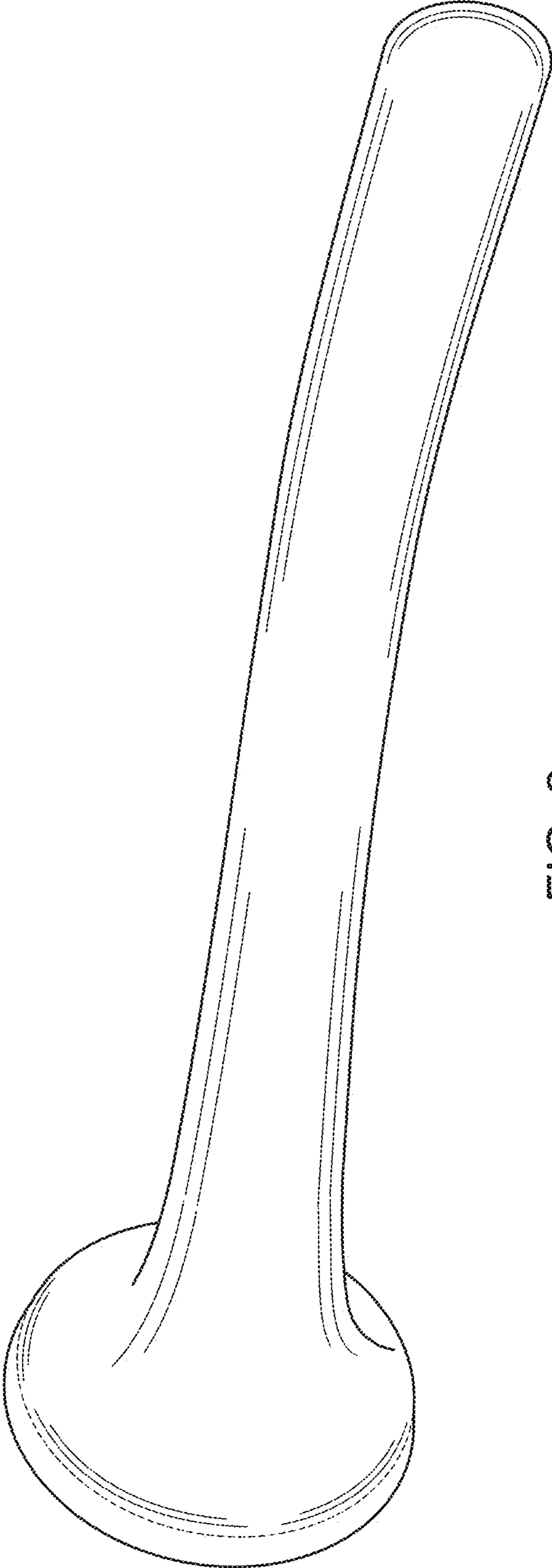


FIG. 2

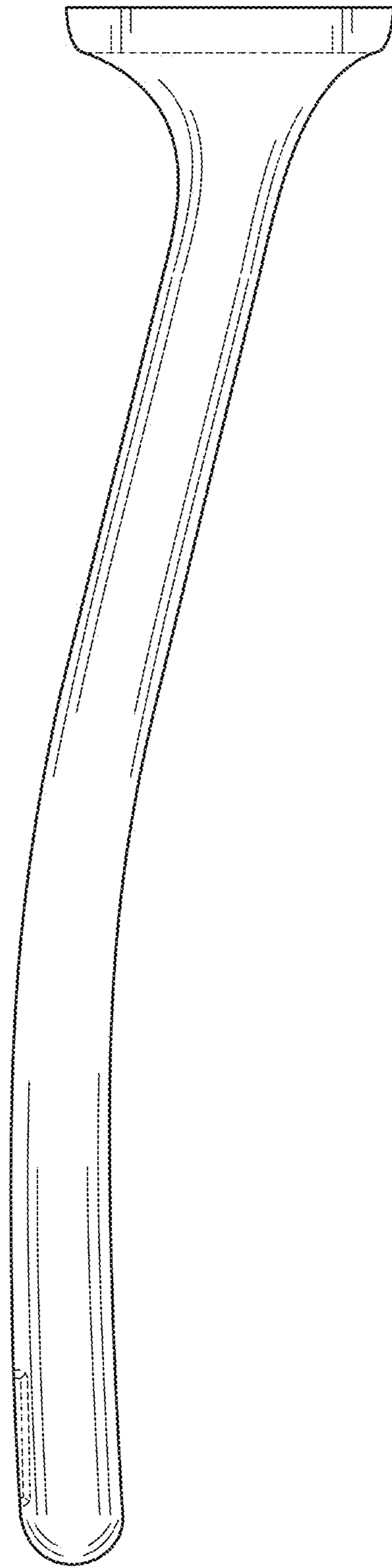


FIG. 3

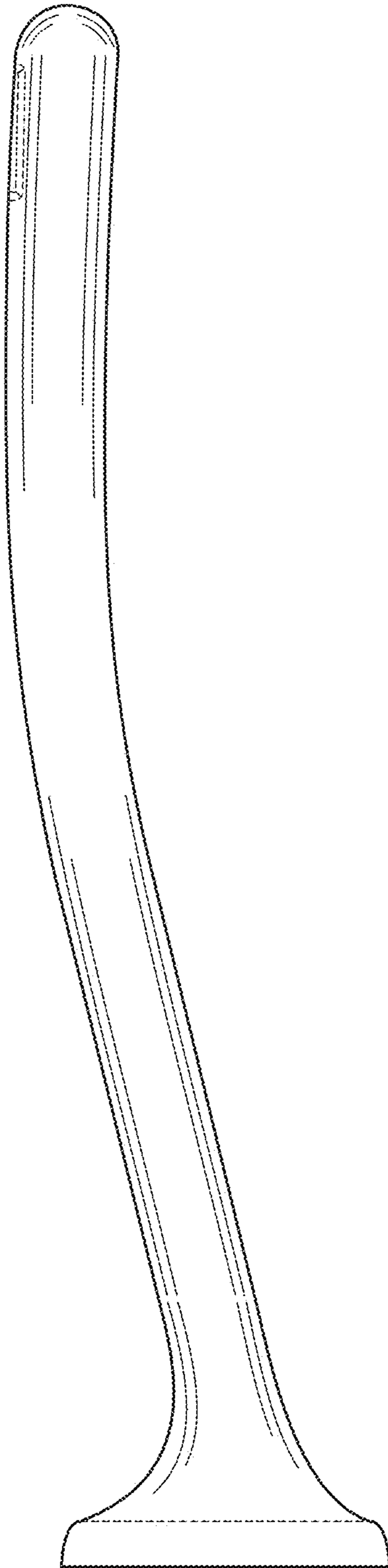


FIG. 4

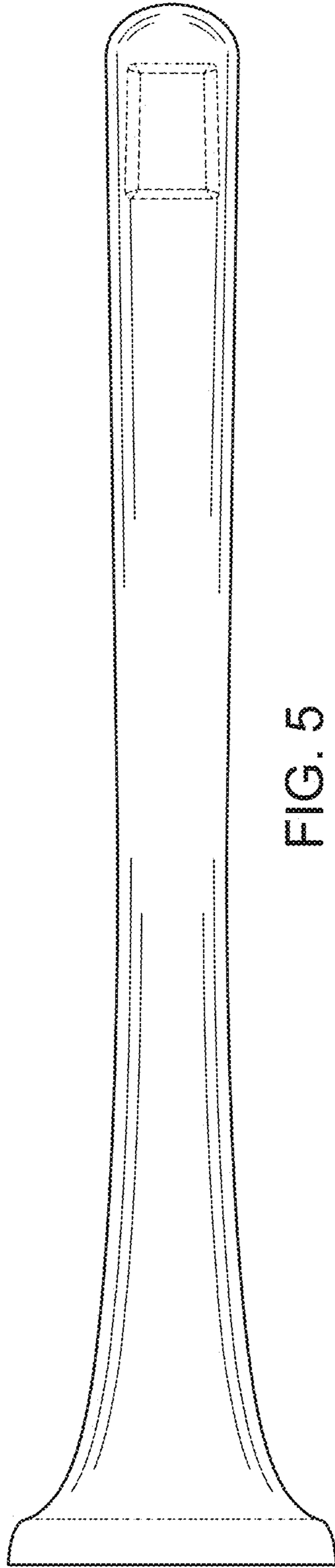


FIG. 5

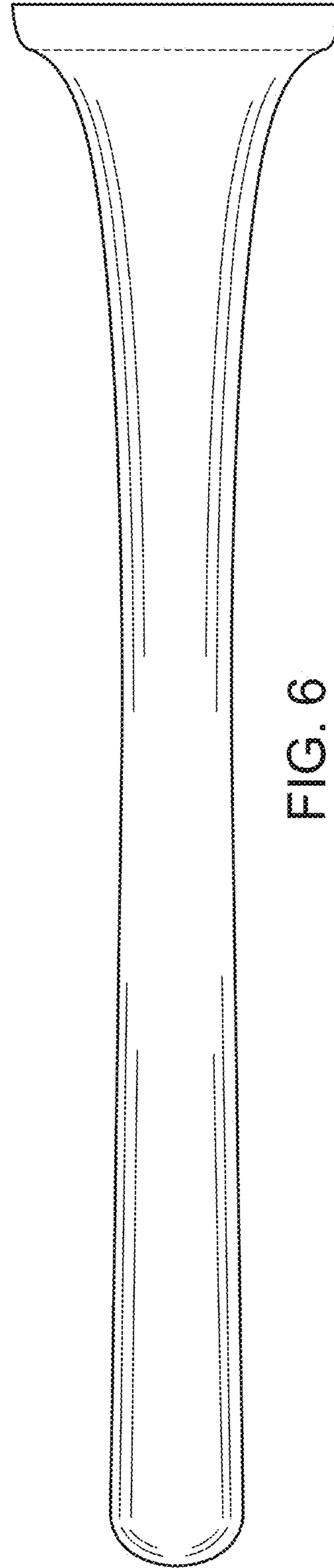


FIG. 6

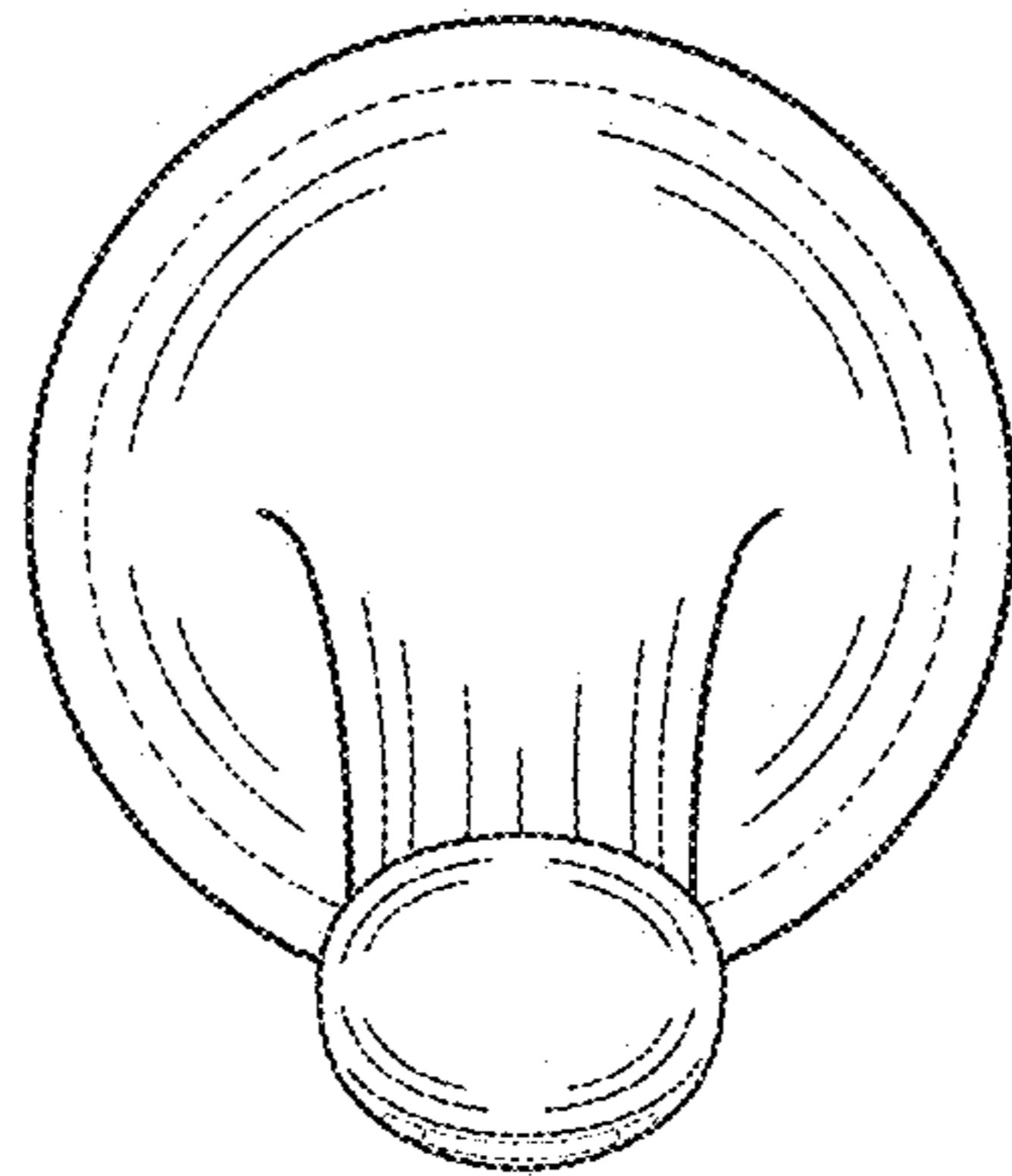


FIG. 7

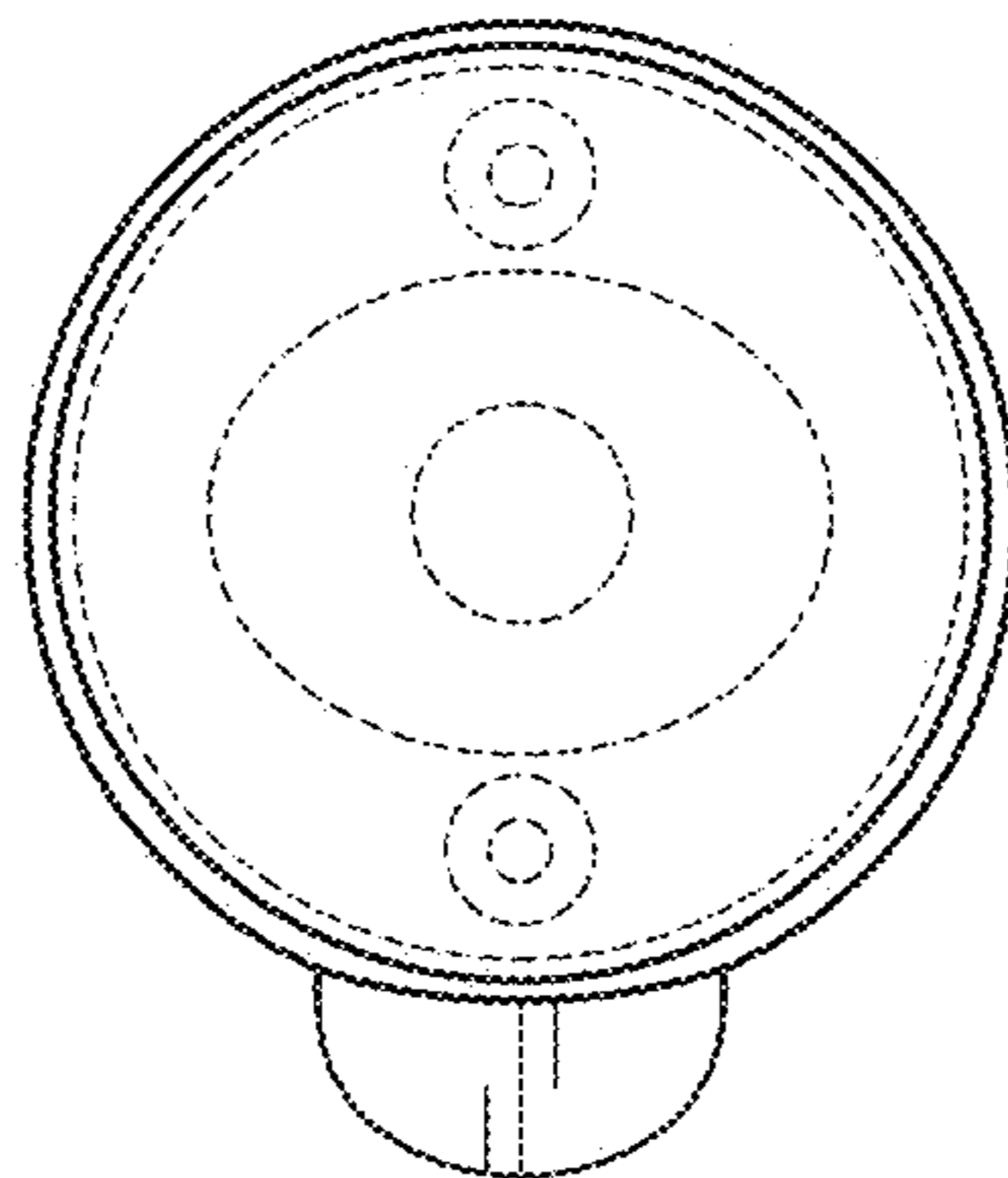


FIG. 8