



US00D918401S

(12) **United States Design Patent** (10) **Patent No.:** **US D918,401 S**
Casalino et al. (45) **Date of Patent:** **** May 4, 2021**

- (54) **BODY ORIFICE DEVICE**
- (71) Applicant: **BIOS SRL**, Vimodrone MI (IT)
- (72) Inventors: **Aldo Casalino**, Vimodrone (IT);
Lorenzo Casalino, Cologno Monzese (IT)
- (73) Assignee: **BIOS SRL**, Milan (IT)
- (**) Term: **15 Years**
- (21) Appl. No.: **29/701,684**
- (22) Filed: **Aug. 13, 2019**
- (51) **LOC (13) Cl.** **28-03**
- (52) **U.S. Cl.**
USPC **D24/200**
- (58) **Field of Classification Search**
USPC D24/141, 133, 140, 147, 185, 188, 200,
D24/214–215; 601/135–137
CPC A63B 23/20; A63B 23/00; A61H 7/003;
A61H 19/40; A61H 2205/087; A61B
18/1485; A61N 1/403; A61N 1/0524;
A61N 5/045; A61N 5/0603; A61N
5/0601; A61N 2005/0611
See application file for complete search history.

- (56) **References Cited**
U.S. PATENT DOCUMENTS
4,785,828 A * 11/1988 Maurer A61N 1/0524
128/DIG. 25
5,875,778 A * 3/1999 Vroegop A61N 1/0524
600/373
6,068,626 A * 5/2000 Harrington A61B 18/1485
128/831
D446,580 S * 8/2001 Allende D24/141
D465,852 S * 11/2002 Bloch D24/214
6,553,266 B1 4/2003 Yuang
D599,015 S * 8/2009 Petersen D24/133

- 7,695,489 B2 * 4/2010 Brockman A61N 5/045
606/197
- D649,656 S * 11/2011 Petersen D24/215
- D824,028 S * 7/2018 Alinsod A61N 1/403
D24/144
- D845,478 S * 4/2019 Luke D24/141
- 2016/0121112 A1 5/2016 Azar
- 2017/0209707 A1 7/2017 Casalino et al.
- 2018/0333211 A1 11/2018 Tomasetti et al.
- 2019/0365462 A1* 12/2019 Casalino A61B 18/18
- 2020/0054868 A1* 2/2020 Garcia A61M 3/0279
- 2020/0253817 A1* 8/2020 Do Coutto A61H 19/40

OTHER PUBLICATIONS

European Search Report—corresponding EP Application No. 20190165, dated Dec. 8, 2020, 7 pages.

* cited by examiner

Primary Examiner — Wan Laymon
(74) *Attorney, Agent, or Firm* — ISUS Intellectual Property PLL; Anthony Jason Mirabito

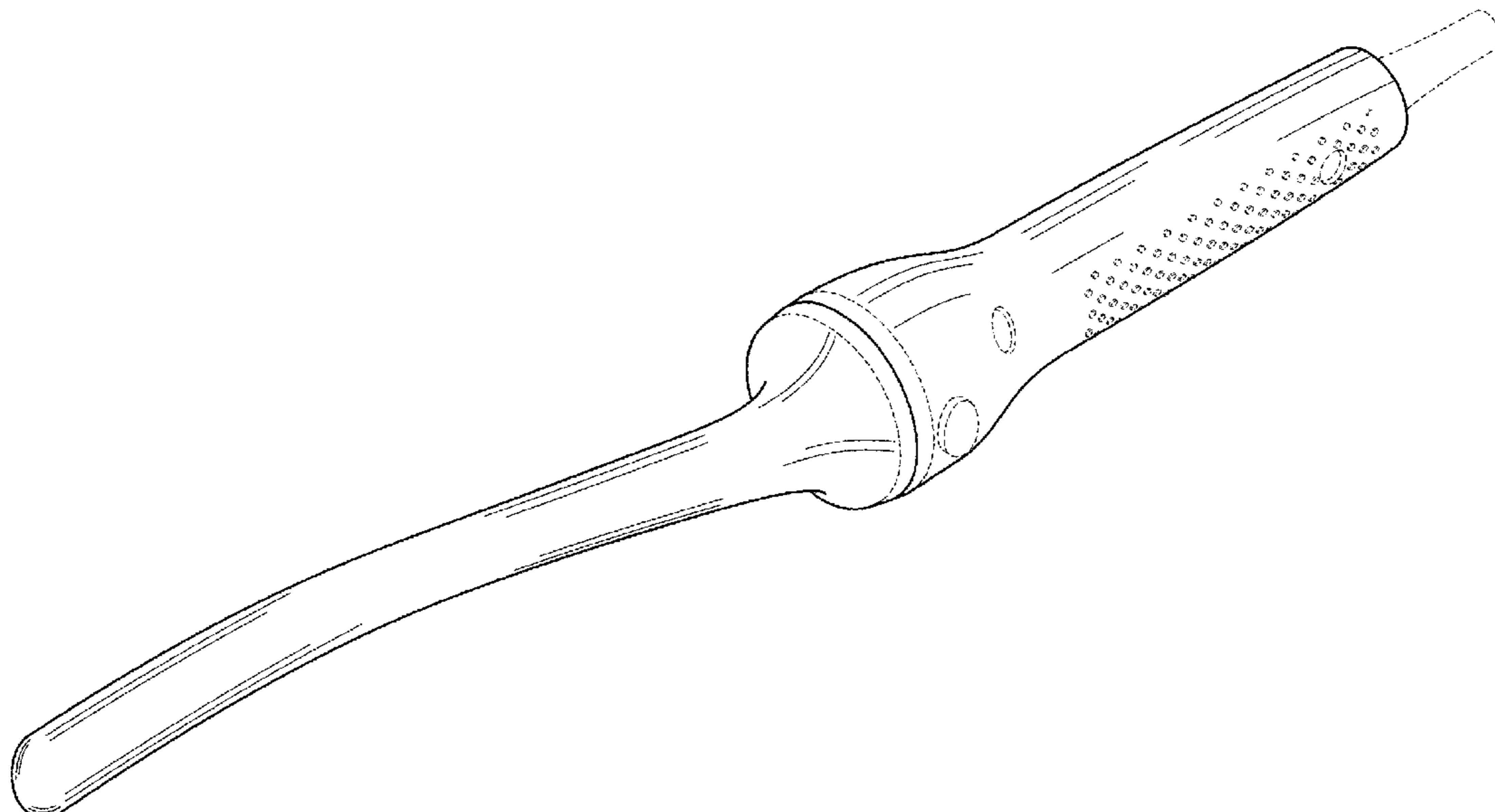
(57) **CLAIM**

The ornamental design for a body orifice device, as shown and described.

DESCRIPTION

FIG. 1 is a bottom right perspective view of a body orifice device.
FIG. 2 is a top perspective view thereof.
FIG. 3 is a right side view thereof.
FIG. 4 is a left side view thereof.
FIG. 5 is a top view thereof.
FIG. 6 is a bottom view thereof.
FIG. 7 is a front view thereof; and,
FIG. 8 is a rear view thereof.
The broken lines in the drawings are for illustrative purposes only and form no part of the claimed design.

1 Claim, 6 Drawing Sheets



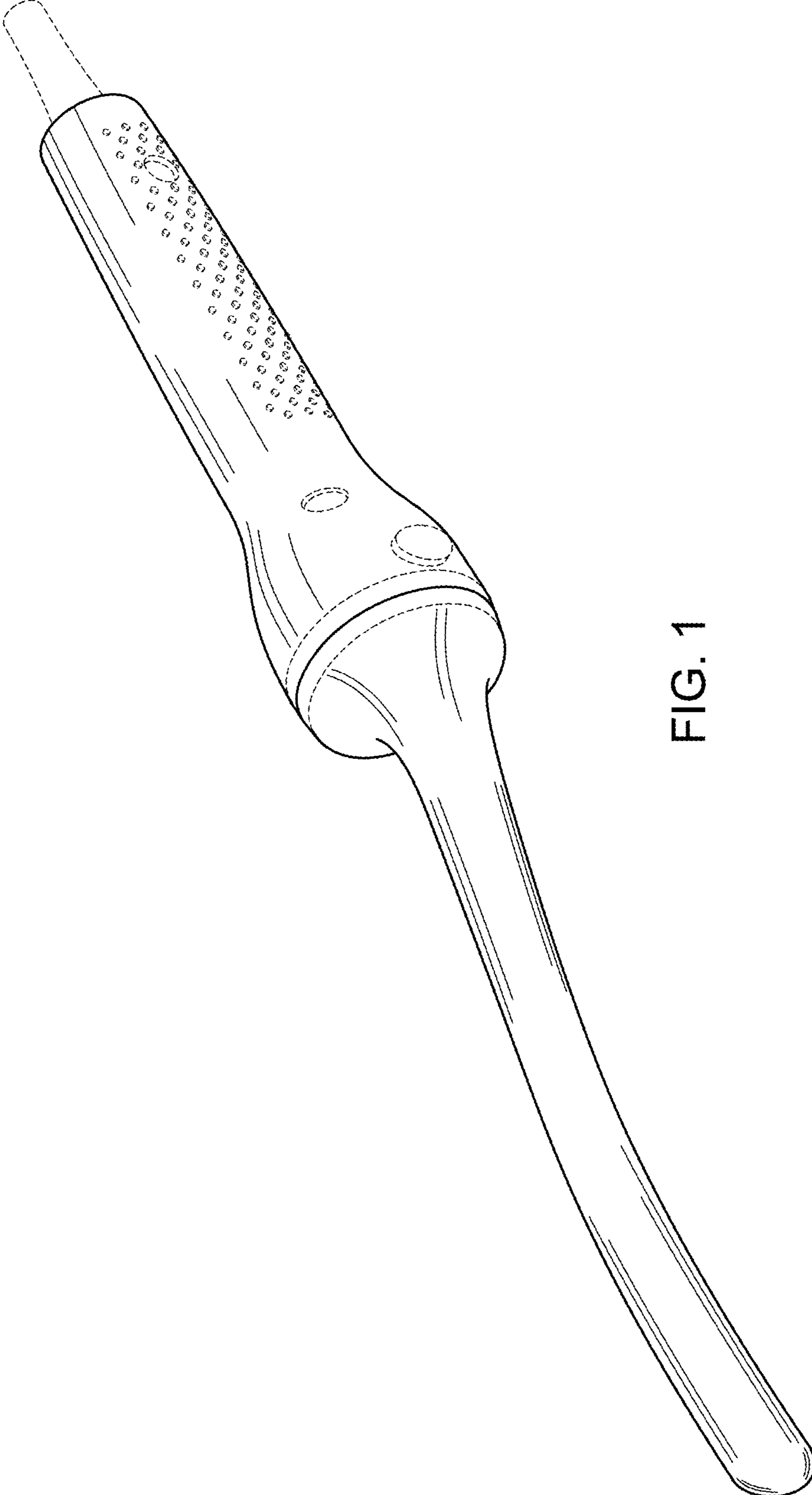


FIG. 1

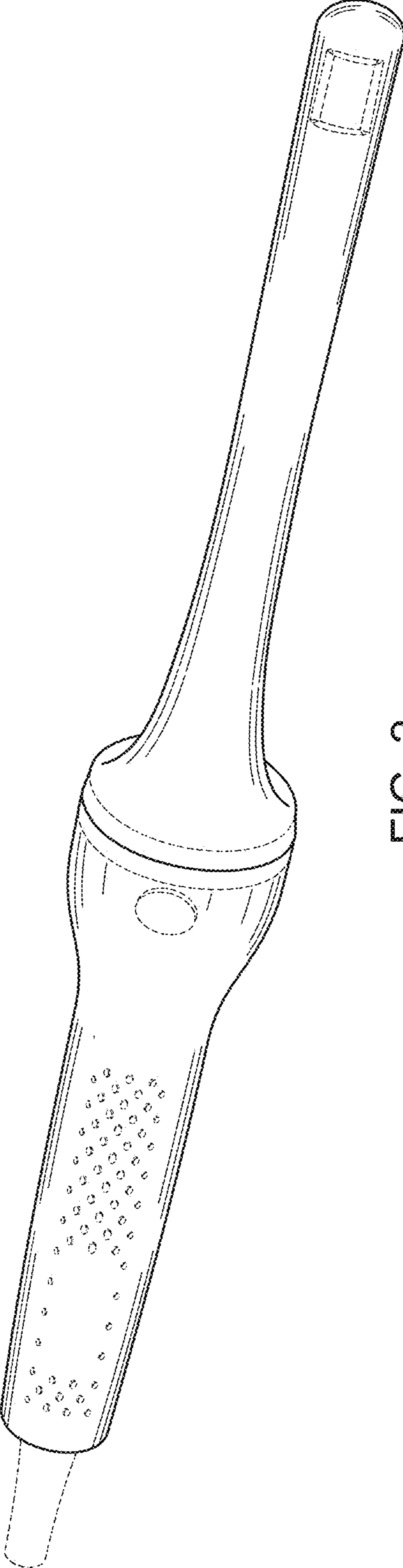


FIG. 2

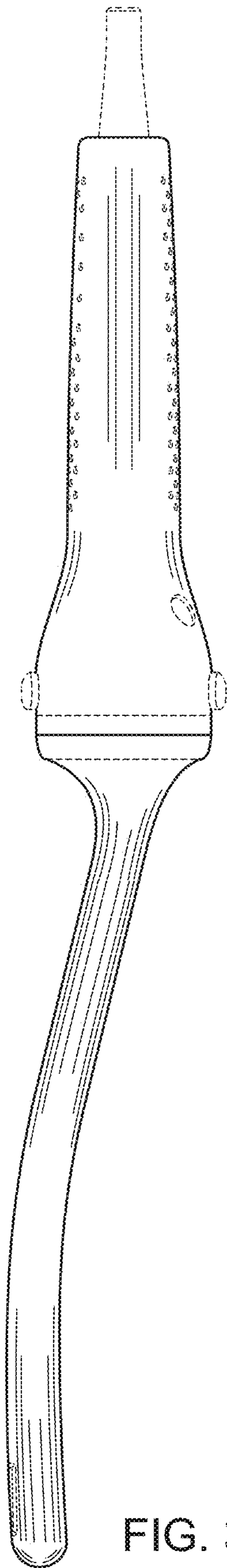


FIG. 3

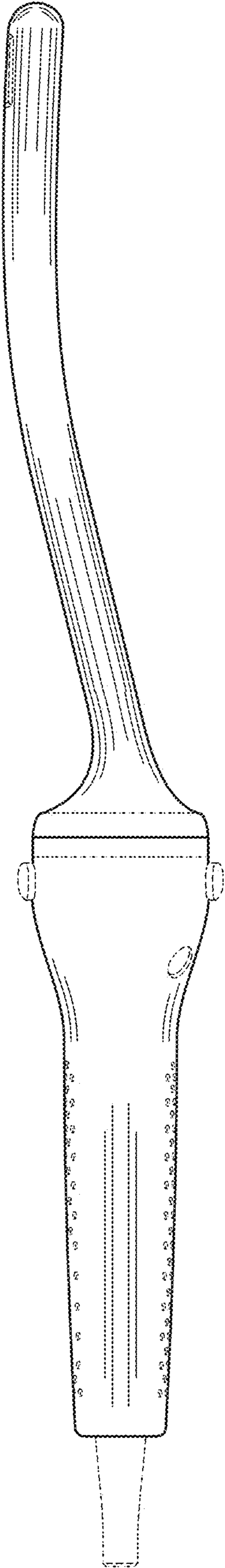


FIG. 4

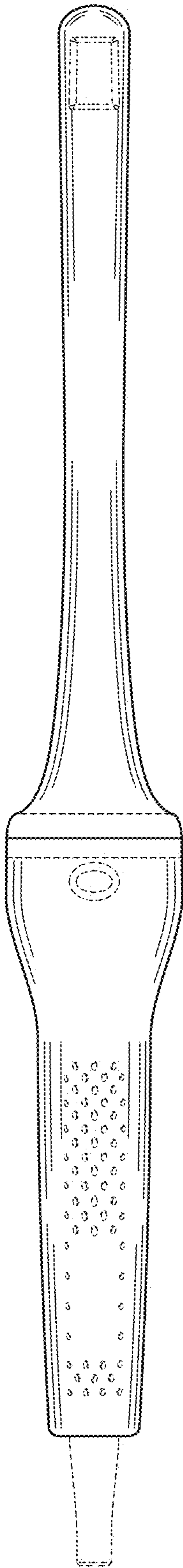


FIG. 5

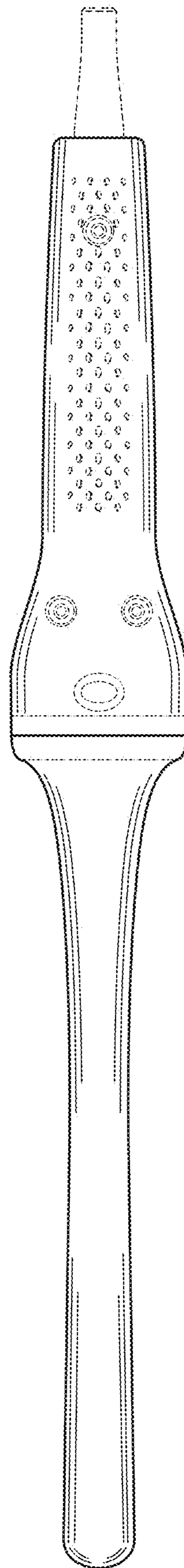


FIG. 6

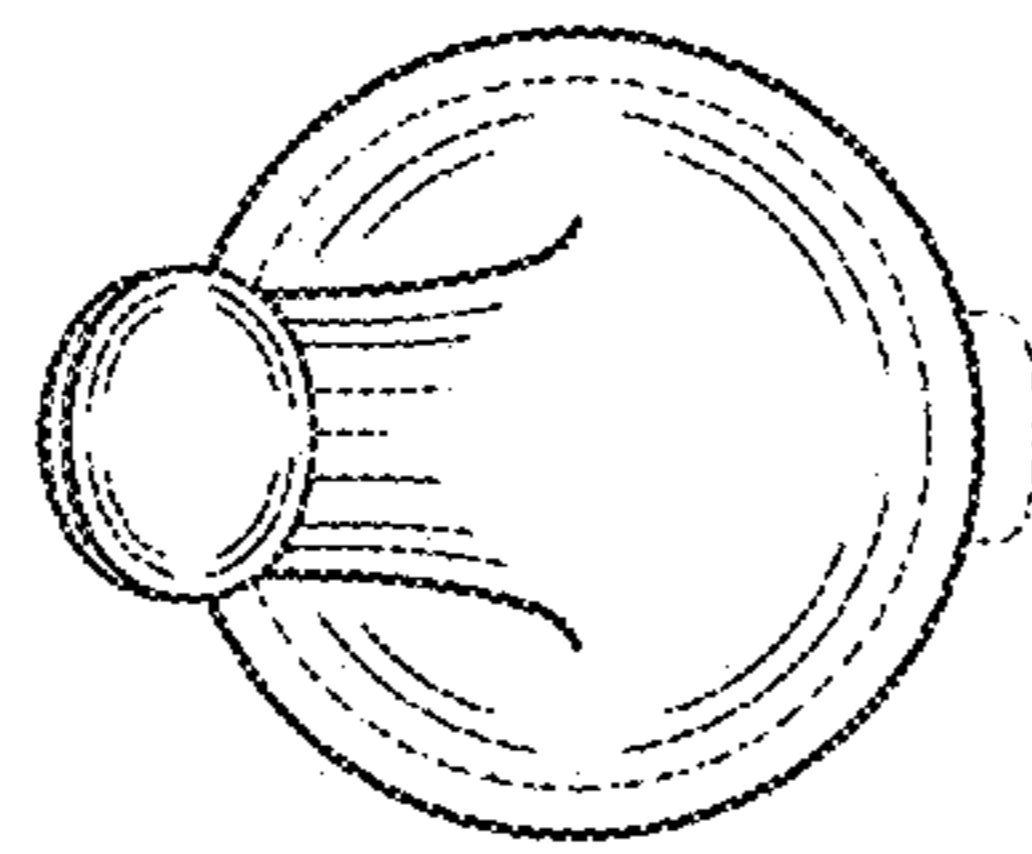


FIG. 7

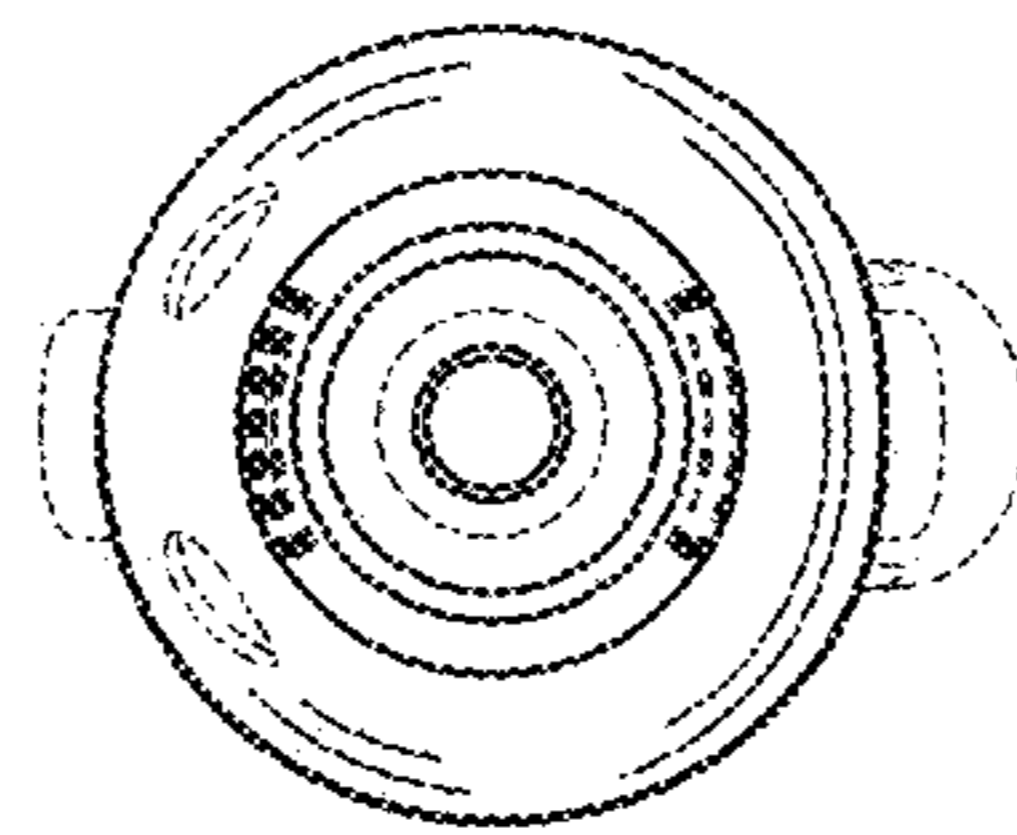


FIG. 8