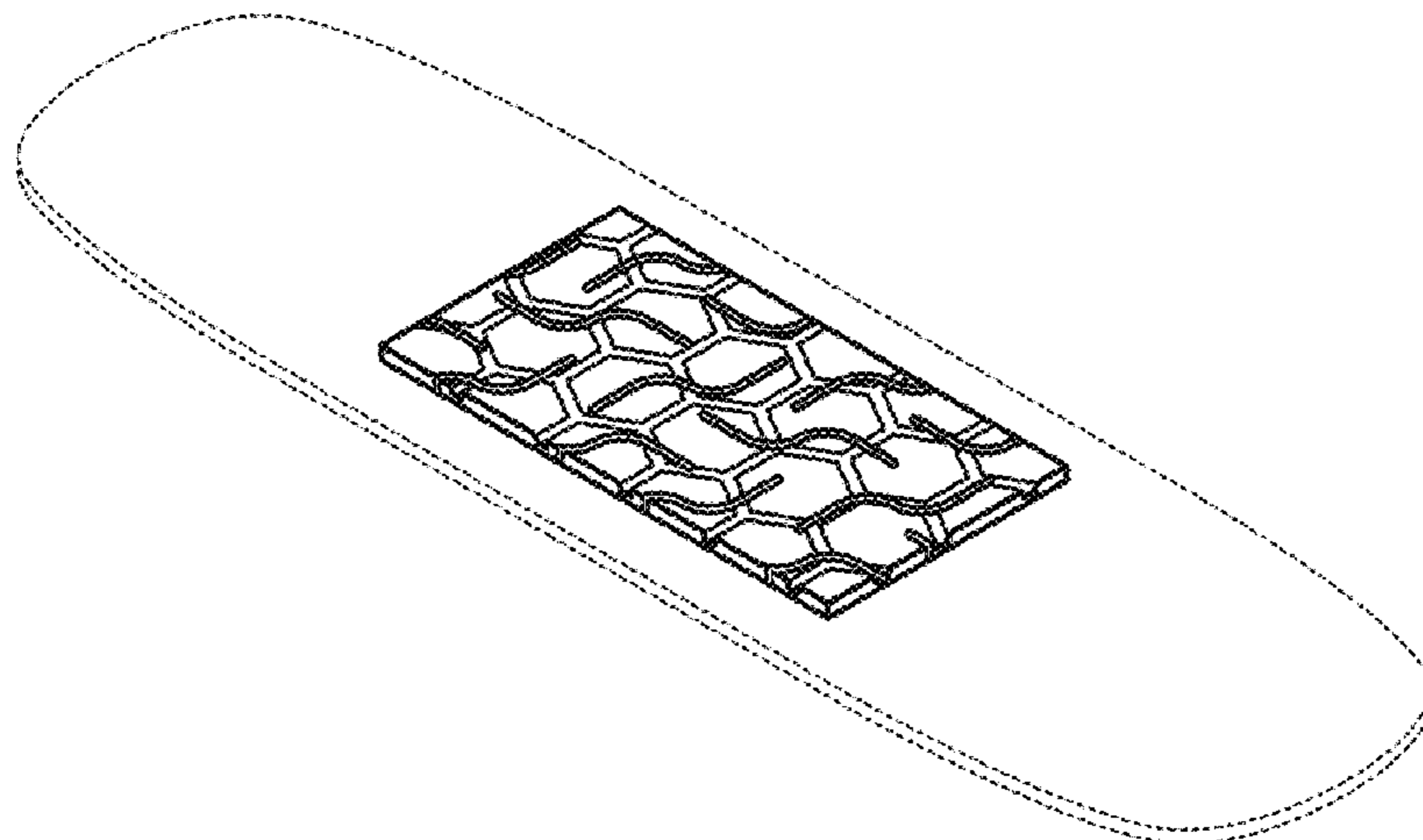




US00D918398S

(12) **United States Design Patent** (10) **Patent No.:** **US D918,398 S**
Caneppele et al. (45) **Date of Patent:** **** May 4, 2021**

(54) ADHESIVE BANDAGE WITH DECORATED PAD	2,896,618 A	7/1959	Schaefer
	3,053,252 A	9/1962	Wolf
	3,073,304 A	1/1963	Schaar
	3,214,502 A	10/1965	Schaar
(71) Applicant: Johnson & Johnson Consumer Inc., Skillman, NJ (US)	3,431,911 A	3/1969	Meisel, Jr.
	3,494,362 A	2/1970	Burgeni
	3,670,731 A	6/1972	Harmon
(72) Inventors: Leonardo Caneppele, São José dos Campos (BR); Andre Narcizo, São José dos Campos (BR); Paulo Cesar de Godoy Oriani, São José dos Campos (BR); Carmine Rizzo, Port St. Lucie, FL (US); Andre Luiz Santos, São José dos Campos (BR)	3,707,430 A	12/1972	Costanza et al.
	3,731,686 A	5/1973	Chatterjee
	3,858,585 A	1/1975	Chatterjee
	3,903,890 A	9/1975	Mesek et al.
	3,908,659 A	9/1975	Wehrmeyer et al.
	4,145,464 A	3/1979	McConnell et al.
	4,192,299 A	3/1980	Sabatano
	4,259,387 A	3/1981	Mesek
	4,423,101 A	12/1983	Willstead
	4,541,426 A	9/1985	Webster
(73) Assignee: Johnson & Johnson Consumer Inc., Skillman, NJ (US)	4,612,230 A	9/1986	Liland et al.
	4,616,644 A	10/1986	Saferstein et al.
	D288,363 S	2/1987	Wallstrom
	4,781,710 A	11/1988	Megison et al.
(**) Term: 15 Years	4,846,164 A	7/1989	Martz
	5,013,769 A	5/1991	Murray et al.
(21) Appl. No.: 29/672,807	5,051,259 A	9/1991	Olsen et al.
	5,158,555 A	10/1992	Porzilli
(22) Filed: Dec. 10, 2018	5,188,624 A	2/1993	Young et al.
(51) LOC (13) Cl. 24-04	5,250,043 A	10/1993	Castellana et al.
(52) U.S. Cl.	5,267,952 A	12/1993	Gardner
USPC D24/189	5,328,450 A	7/1994	Smith et al.
(58) Field of Classification Search	5,409,703 A	4/1995	McAnalley et al.
USPC D24/189, 206	5,423,736 A	6/1995	Cartmell et al.
CPC A61L 15/26; A61L 15/58; A61L 15/60;	5,429,589 A	7/1995	Cartmell et al.
A61L 15/425; A61F 13/0203; A61F	D383,211 S	9/1997	Dunshee et al.
13/0246; A61F 2013/00748; A61F	5,681,301 A	10/1997	Yang et al.
13/0223; A61F 13/0276; A61F 13/022;	D387,169 S	12/1997	Dunshee et al.
A61F 2013/00604; A61F 2013/00846;	D389,244 S	1/1998	Dunshee et al.
A61F 13/0206; A61F 13/023; A61F	D391,639 S	3/1998	Dunshee et al.
2013/00578; A61F 2013/00587; A61F	5,782,787 A	7/1998	Webster
2013/00804; A61F 2013/00885; A61F	D402,371 S	12/1998	Haynes et al.
2013/53445; A61F 2013/51078	D404,136 S	1/1999	Dunshee et al.
See application file for complete search history.	D407,160 S	3/1999	Dunshee et al.
	D408,541 S	4/1999	Dunshee et al.
	5,919,411 A	7/1999	Rezai et al.
	5,954,679 A	9/1999	Baranitsky
	5,964,742 A *	10/1999	McCormack D04H 1/54 604/380
(56) References Cited	5,990,377 A	11/1999	Chen et al.
	5,998,032 A	12/1999	Hansen et al.
U.S. PATENT DOCUMENTS	D424,699 S	5/2000	Allen
D127,402 S	6,171,648 B1	1/2001	Himmelsbach et al.
2,344,021 A	6,245,961 B1	6/2001	Roxendal et al.
2,788,003 A	6,384,294 B1	5/2002	Levin
	6,395,395 B1	5/2002	Hansen et al.



US D918,398 S

Page 2

6,395,957 B1 5/2002 Chen et al.
6,420,622 B1 7/2002 Johnston et al.
6,566,575 B1 5/2003 Stickels et al.
6,747,186 B2 6/2004 Shimizu
6,803,495 B2 10/2004 Simpson
6,812,374 B1 11/2004 Wood
6,838,590 B2 1/2005 Colman et al.
6,861,570 B1 3/2005 Flick
6,881,875 B2 4/2005 Swenson
6,897,348 B2 5/2005 Malik
D511,006 S 10/2005 Dodd et al.
6,967,261 B1 11/2005 Soerens et al.
7,045,673 B1 5/2006 Batick et al.
7,063,859 B1 6/2006 Kanios et al.
7,105,716 B2 9/2006 Baratian et al.
7,154,017 B2 12/2006 Sigurjonsson et al.
7,214,847 B1 5/2007 Flick
7,217,853 B2 5/2007 Kulichikhin et al.
7,220,889 B2 5/2007 Sigurjonsson et al.
D545,970 S 7/2007 Eknoian et al.
7,238,849 B2 7/2007 Goldberg et al.
7,270,721 B2 9/2007 Hilfenhaus et al.
7,291,762 B2 11/2007 Flick
7,304,202 B2 12/2007 Sigurjonsson et al.
7,329,792 B2 2/2008 Buckman et al.
7,335,612 B2 2/2008 Kim
D570,421 S 6/2008 Andersson
7,396,975 B2 7/2008 Sigurjonsson et al.
7,456,331 B2 11/2008 Kulichikhin et al.
D582,560 S 12/2008 Sachi
D582,561 S 12/2008 Sachi
D583,955 S 12/2008 Sachi
7,468,471 B2 12/2008 Sigurjonsson et al.
D584,415 S 1/2009 Sachi
D611,156 S 3/2010 Dunshee
7,811,021 B2 10/2010 Gueret
D636,607 S 4/2011 Withers
D646,789 S 10/2011 Barth
D648,439 S 11/2011 Greener et al.
8,236,083 B2 8/2012 Garcia et al.
8,387,497 B2 3/2013 Raidel et al.
D694,892 S * 12/2013 Chan D24/189
D697,216 S 1/2014 Chan et al.
8,680,360 B2 3/2014 Greener et al.
D707,829 S 6/2014 Chan et al.
D708,751 S 7/2014 Chan et al.
D714,560 S 10/2014 Xu et al.
D728,803 S * 5/2015 Sinda D24/189
D745,688 S 12/2015 Chan et al.
D745,689 S 12/2015 Chan et al.
D745,690 S 12/2015 Devenish et al.
D748,921 S 2/2016 Romano, III et al.
D757,950 S 5/2016 Karlsson et al.
D765,993 S 9/2016 Palzewicz
D773,194 S 12/2016 Hurley et al.
D789,616 S 6/2017 Votel et al.
9,820,888 B2 11/2017 Greener et al.
D807,518 S 1/2018 Gildersleeve
D817,502 S * 5/2018 Green D24/189
D823,608 S 7/2018 Stephani et al.
D825,202 S 8/2018 Stephani et al.
D851,776 S 6/2019 Weinstein
D851,945 S 6/2019 Toelke et al.
10,307,587 B2 * 6/2019 King A61N 1/0492
D852,513 S 7/2019 Toelke et al.
D852,514 S 7/2019 Toelke et al.
D856,005 S 8/2019 Chaturvedi
D866,770 S * 11/2019 Hahn D24/189
D876,935 S * 3/2020 Krull D8/367
D879,972 S * 3/2020 Caneppele D24/189
D880,705 S * 4/2020 Caneppele D24/189
D887,563 S * 6/2020 Caneppele D24/189
D890,352 S * 7/2020 Dechow D24/189
2002/0032485 A1 3/2002 Flam et al.
2003/0125680 A1 7/2003 Ding
2003/0208175 A1 11/2003 Gross et al.
2003/0225356 A1 12/2003 Kulichikhin et al.
2004/0002676 A1 1/2004 Siegwart et al.
2004/0049145 A1 3/2004 Flick

2004/0082897 A1 4/2004 Rangel et al.
2004/0127834 A1 7/2004 Sigurjonsson et al.
2004/0127835 A1 7/2004 Sigurjonsson et al.
2004/0127836 A1 7/2004 Sigurjonsson et al.
2004/0127837 A1 7/2004 Sigurjonsson
2004/0127839 A1 7/2004 Sigurjonsson et al.
2004/0133143 A1 7/2004 Burton et al.
2004/0138604 A1 7/2004 Sigurjonsson et al.
2004/0138605 A1 7/2004 Sigurjonsson et al.
2005/0165445 A1 7/2005 Buckman et al.
2007/0010776 A1 1/2007 Price et al.
2007/0051376 A1 3/2007 Kulichikhin et al.
2007/0083141 A1 4/2007 Flam et al.
2007/0129697 A1 6/2007 Soerens et al.
2007/0142803 A1 6/2007 Soerens et al.
2007/0254550 A1 11/2007 Hamed et al.
2008/0033506 A1 2/2008 Flick
2008/0039763 A1 2/2008 Sigurjonsson et al.
2008/0076844 A1 3/2008 Van Sumeren et al.
2008/0119773 A1 5/2008 Flick
2008/0255493 A1 10/2008 Sigurjonsson et al.
2010/0030170 A1 2/2010 Keller et al.
2010/0100022 A1 4/2010 Greener et al.
2010/0179463 A1 7/2010 Greener et al.
2012/0041402 A1 2/2012 Greener
2012/0220973 A1 8/2012 Chan et al.
2012/0220974 A1 8/2012 Chan et al.
2012/0220975 A1 8/2012 Chan et al.
2014/0094730 A1 4/2014 Greener et al.
2018/0289559 A1 10/2018 Caneppele et al.
2019/0099297 A1 * 4/2019 Cettina A61F 13/0259

FOREIGN PATENT DOCUMENTS

CA	2321418	9/2005
EP	136594	12/1988
EP	300815	9/1992
EP	3085344	10/2016
GB	821959	10/1959
JP	2004-141662 A	5/2004
WO	2010/097570	9/2010
WO	2010/147535	12/2010
WO	2014/149718	9/2014
WO	2016/030047	3/2016
WO	2016081708	5/2016

OTHER PUBLICATIONS

“‘Band-Aid’ wound power pad for elbow and knee protection”, published in “‘Protection series’, new for ‘Band-Aid’ would power pad, effectively protecting shallow and broad wound”, dated Mar. 16, 2010, stored in and published from Internet Archive, run by the U.S. non-profit corporation Internet Archive (output date: May 12, 2014). Internet Archive URL: <https://web.archive.org/web/20100316073304/http://www.jnj.co.jp/group/press/2009/0309/index.html>.
U.S. Appl. No. 29/643,723, filed Apr. 11, 2018.
U.S. Appl. No. 29/643,725, filed Apr. 11, 2018.
U.S. Appl. No. 29/643,727, filed Apr. 11, 2018.
U.S. Appl. No. 15/950,319, filed Apr. 11, 2018.
U.S. Appl. No. 15/950,326, filed Apr. 11, 2018.
U.S. Appl. No. 15/950,341, filed Apr. 11, 2018.
U.S. Appl. No. 15/950,346, filed Apr. 11, 2018.
U.S. Appl. No. 15/950,355, filed Apr. 11, 2018.
U.S. Appl. No. 29/654,725, filed Jun. 27, 2018.
U.S. Appl. No. 29/654,726, filed Jun. 27, 2018.
U.S. Appl. No. 29/654,728, filed Jun. 27, 2018.
U.S. Appl. No. 29/654,731, filed Jun. 27, 2018.
U.S. Appl. No. 29/672,805, filed Dec. 10, 2018.
International Search Report—JCO5252WOPCT1—PCT/US2018/027018, dated Jun. 20, 2018.

* cited by examiner

Primary Examiner — Jennifer L Watkins

(57) **CLAIM**

We claim the ornamental design for an adhesive bandage with decorated pad, as shown and described.

DESCRIPTION

FIG. 1 is a top perspective view of a first embodiment of the present invention;

FIG. 2 is a top view of the adhesive bandage with decorated pad depicted in FIG. 1;

FIG. 3 is a left side view of the adhesive bandage with decorated pad depicted in FIG. 1;

FIG. 4 is a bottom view of the adhesive bandage with decorated pad depicted in FIG. 1;

FIG. 5 is a right side view of the adhesive bandage with decorated pad depicted in FIG. 1;

FIG. 6 is a front side view of the adhesive bandage with decorated pad depicted in FIG. 1; and,

FIG. 7 is a back side view of the adhesive bandage with decorated pad depicted in FIG. 1.

The dashed lines in the drawings depict portions of an adhesive bandage with decorated pad and form no part of the claim.

1 Claim, 1 Drawing Sheet

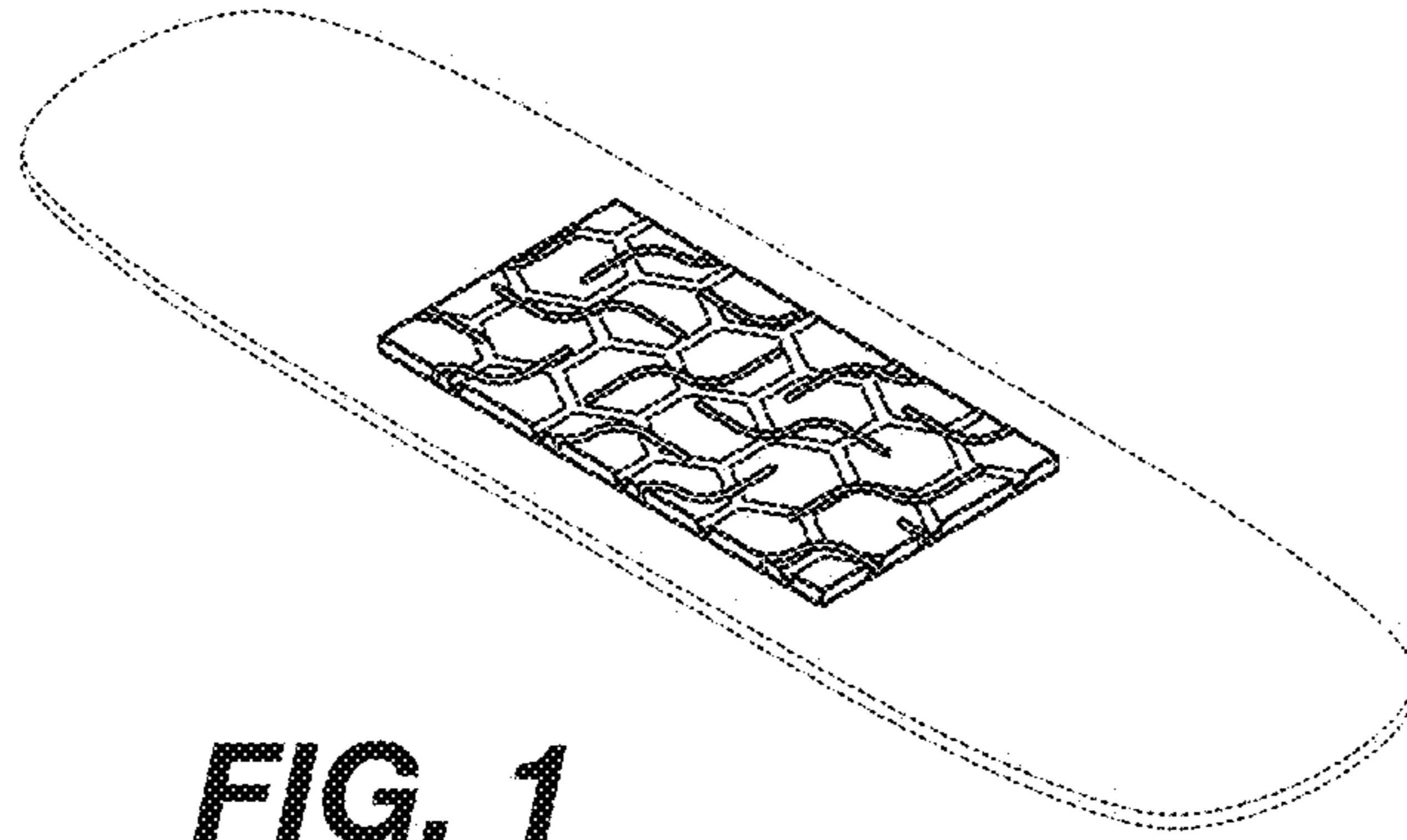


FIG. 1

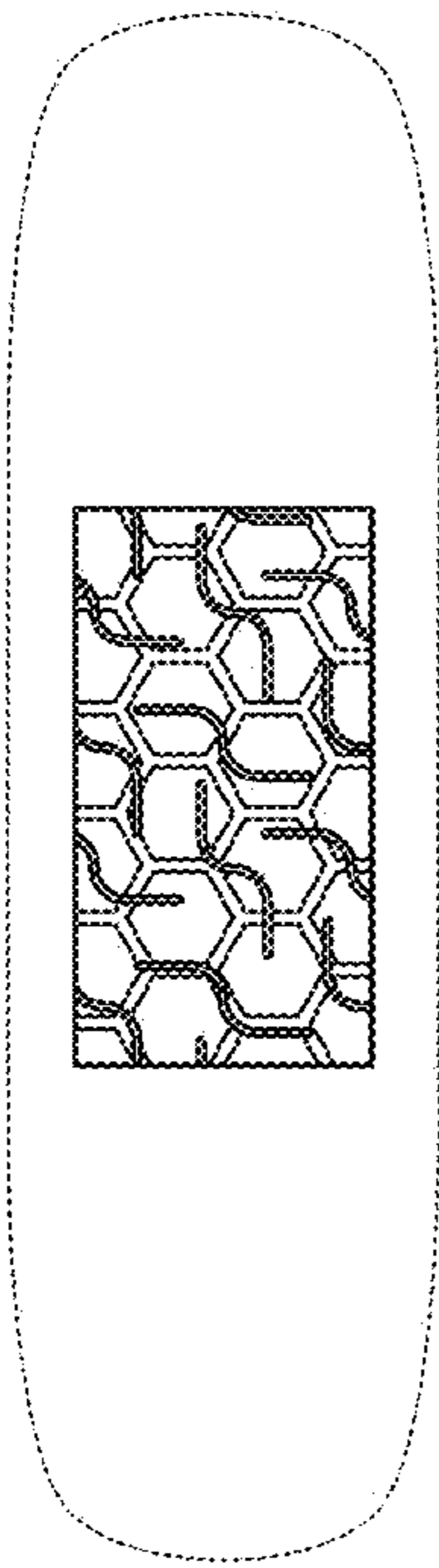


FIG. 2



FIG. 3

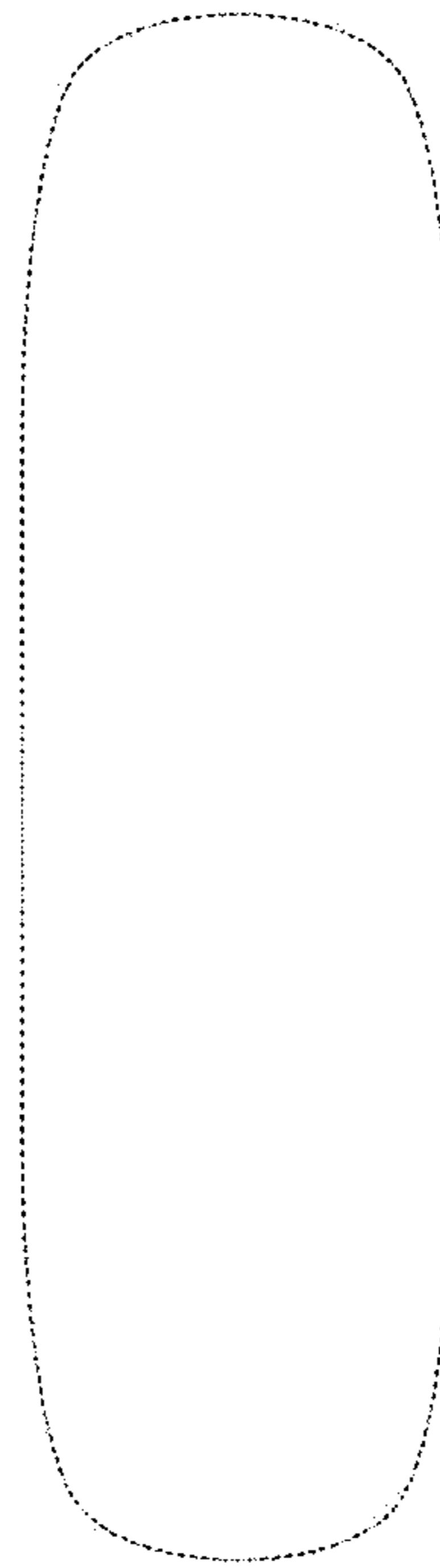


FIG. 4



FIG. 5

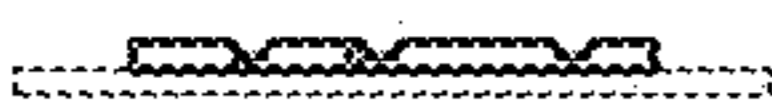


FIG. 6



FIG. 7