

US00D918394S

(12) **United States Design Patent**
Hu et al.

(10) **Patent No.:** **US D918,394 S**

(45) **Date of Patent:** **** May 4, 2021**

(54) **PULSE OXIMETER**

(71) Applicant: **CONTEC MEDICAL SYSTEMS CO., LTD.**, Qinhuangdao (CN)

(72) Inventors: **Kun Hu**, Qinhuangdao (CN); **Yunlong Xu**, Qinhuangdao (CN); **Jinling Zhang**, Qinhuangdao (CN); **Liang Zhang**, Qinhuangdao (CN); **Wei Zhang**, Qinhuangdao (CN)

(73) Assignee: **CONTEC MEDICAL SYSTEMS CO., LTD.**, Qinhuangdao (CN)

(**) Term: **15 Years**

(21) Appl. No.: **29/767,358**

(22) Filed: **Jan. 21, 2021**

(30) **Foreign Application Priority Data**

Dec. 25, 2020 (CN) 202030803270.2

(51) **LOC (13) Cl.** **24-01**

(52) **U.S. Cl.**
USPC **D24/169; D24/165**

(58) **Field of Classification Search**
USPC D24/107, 164, 165-169, 186, 187;
D10/75, 70, 98
CPC G01N 33/66; G01N 33/49; G01N 33/493;
A61B 5/0205; A61B 5/02427; A61B
5/02438; A61B 5/14552; A61B 5/6626;
A61B 5/6638

See application file for complete search history.

(56) **References Cited**

U.S. PATENT DOCUMENTS

6,731,962 B1 * 5/2004 Katarow A61B 5/0002
128/903

D782,045 S 3/2017 Chou et al.

D830,557 S * 10/2018 Sebban D24/167
D877,339 S * 3/2020 Xian D24/165
D893,727 S * 8/2020 Zhao D24/165
D893,728 S * 8/2020 Zhao D24/165
D894,398 S 8/2020 Wei
D894,399 S * 8/2020 Wei D24/169
D894,400 S * 8/2020 Wei D24/169
D903,872 S * 12/2020 Wang D24/169

FOREIGN PATENT DOCUMENTS

EM 007014618-0001 * 10/2019

* cited by examiner

Primary Examiner — Anhdao Doan

(57) **CLAIM**

The ornamental design for a pulse oximeter, as shown and described.

DESCRIPTION

FIG. 1 is a perspective view of a pulse oximeter showing our new design;

FIG. 2 is another perspective view thereof;

FIG. 3 is a front elevational view thereof;

FIG. 4 is a rear elevational view thereof;

FIG. 5 is a left side elevational view thereof;

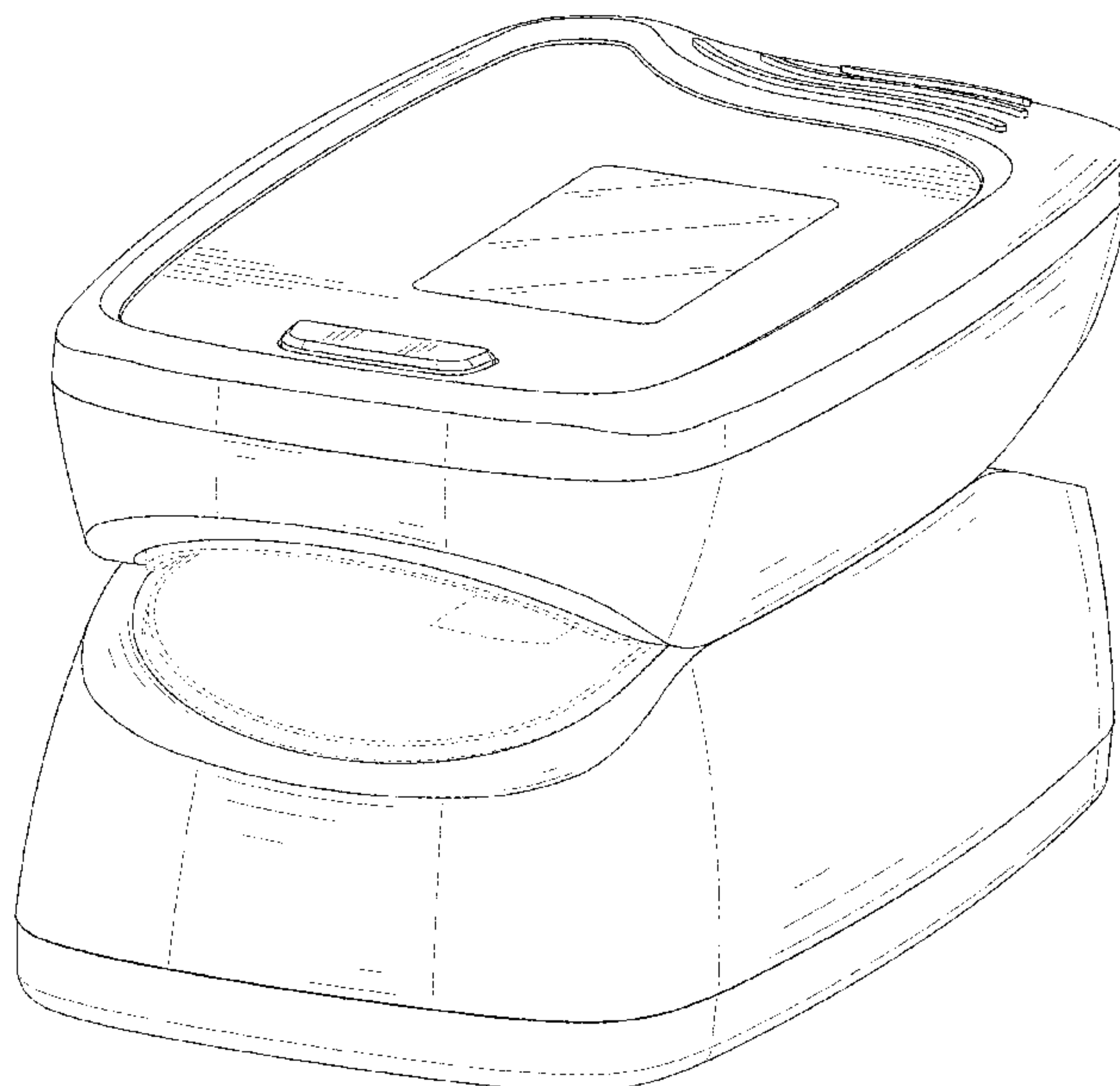
FIG. 6 is a right side elevational view thereof;

FIG. 7 is a top plan view thereof; and,

FIG. 8 is a bottom plan view thereof.

The broken lines in the drawings depict portions of the pulse oximeter that form no part of the claimed design.

1 Claim, 8 Drawing Sheets



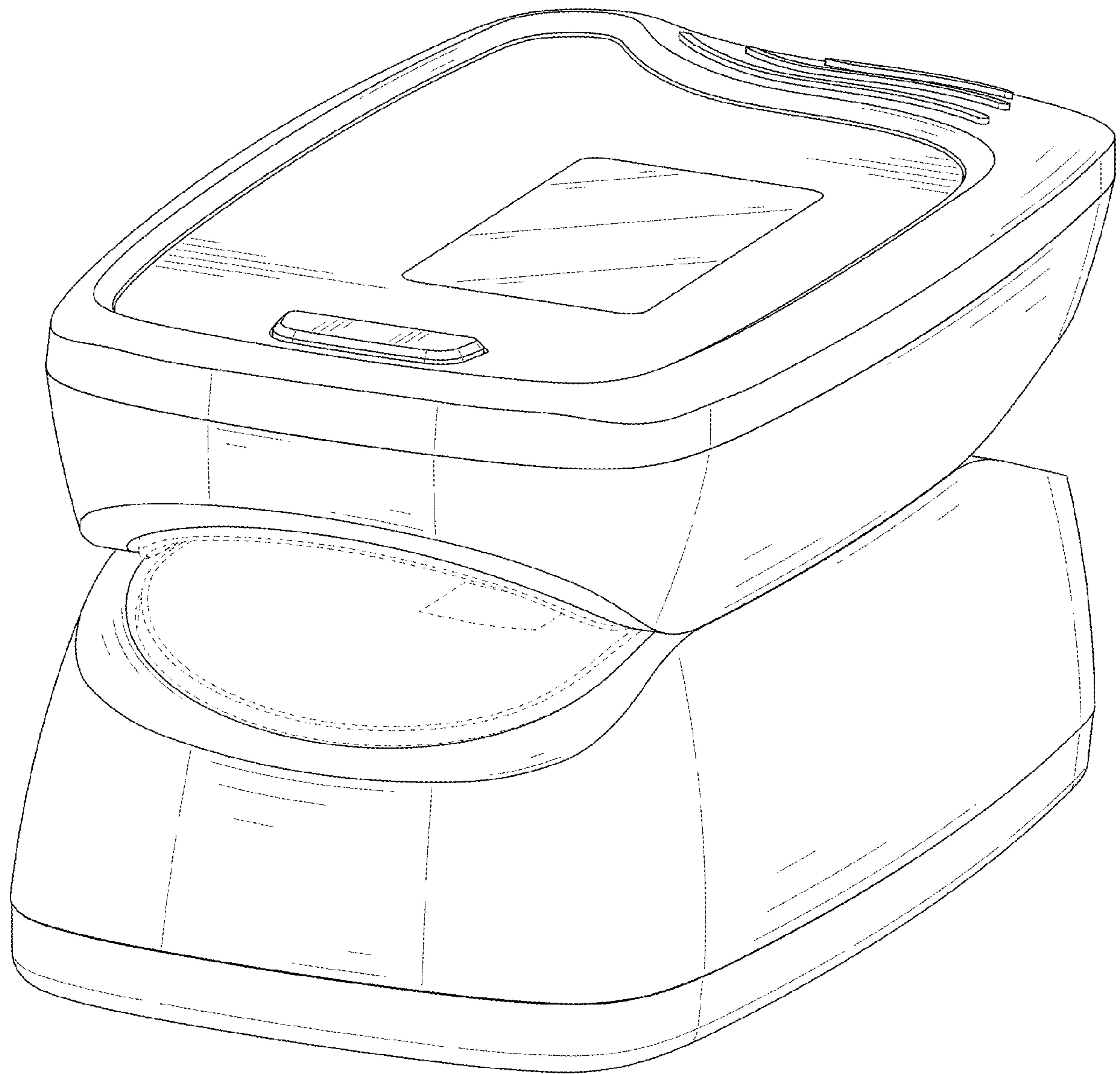


FIG. 1

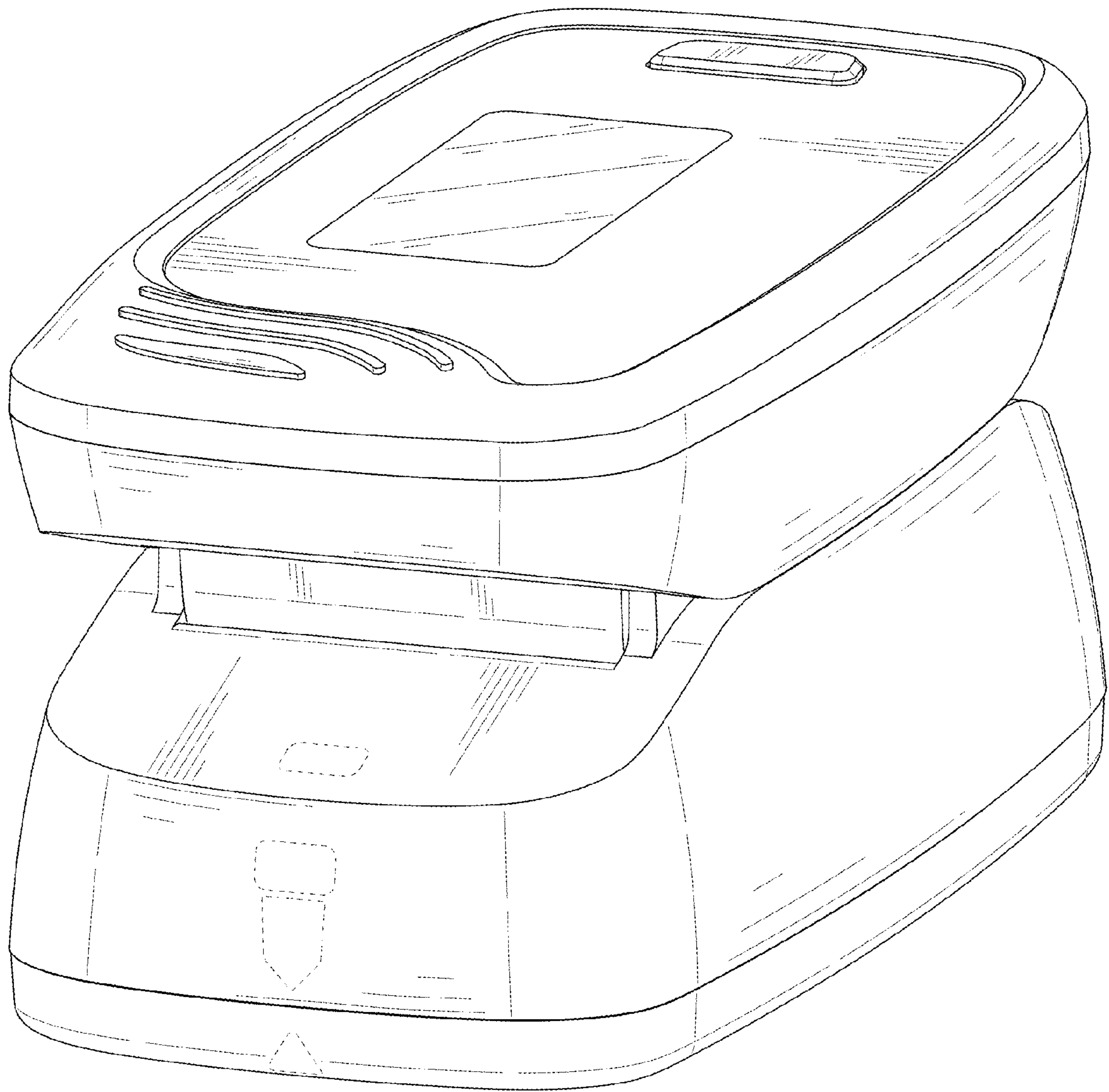


FIG. 2

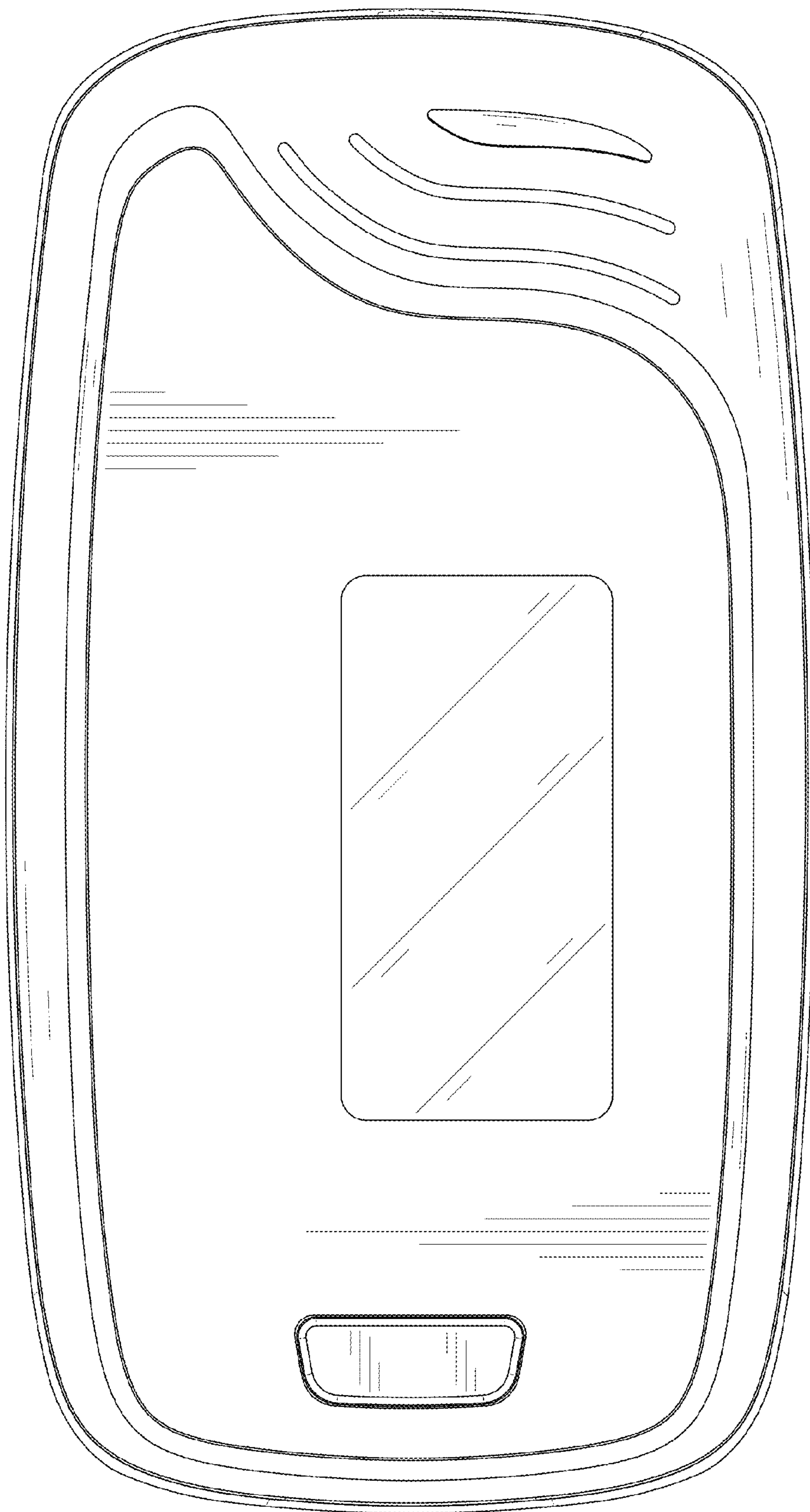


FIG. 3

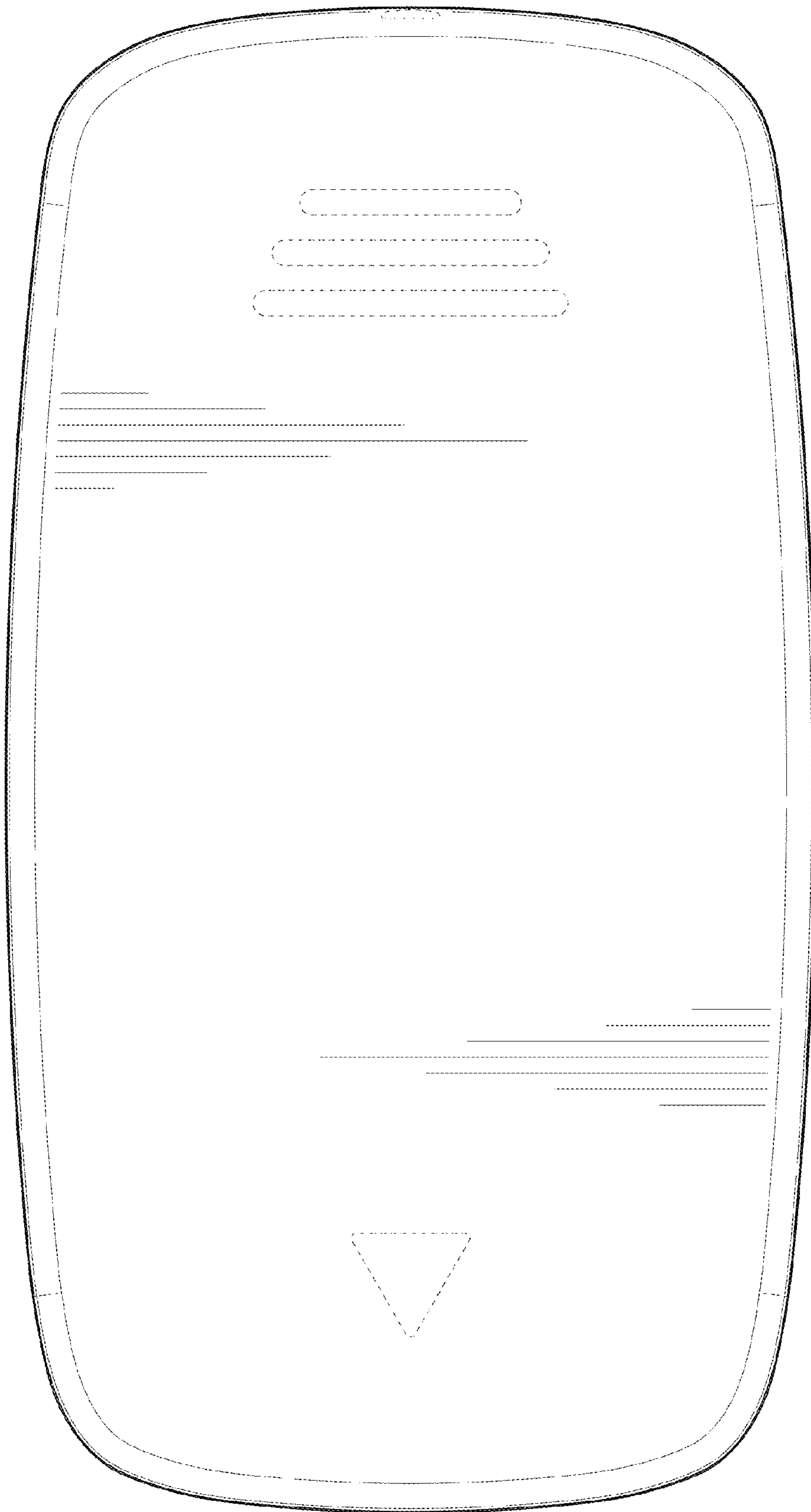


FIG. 4

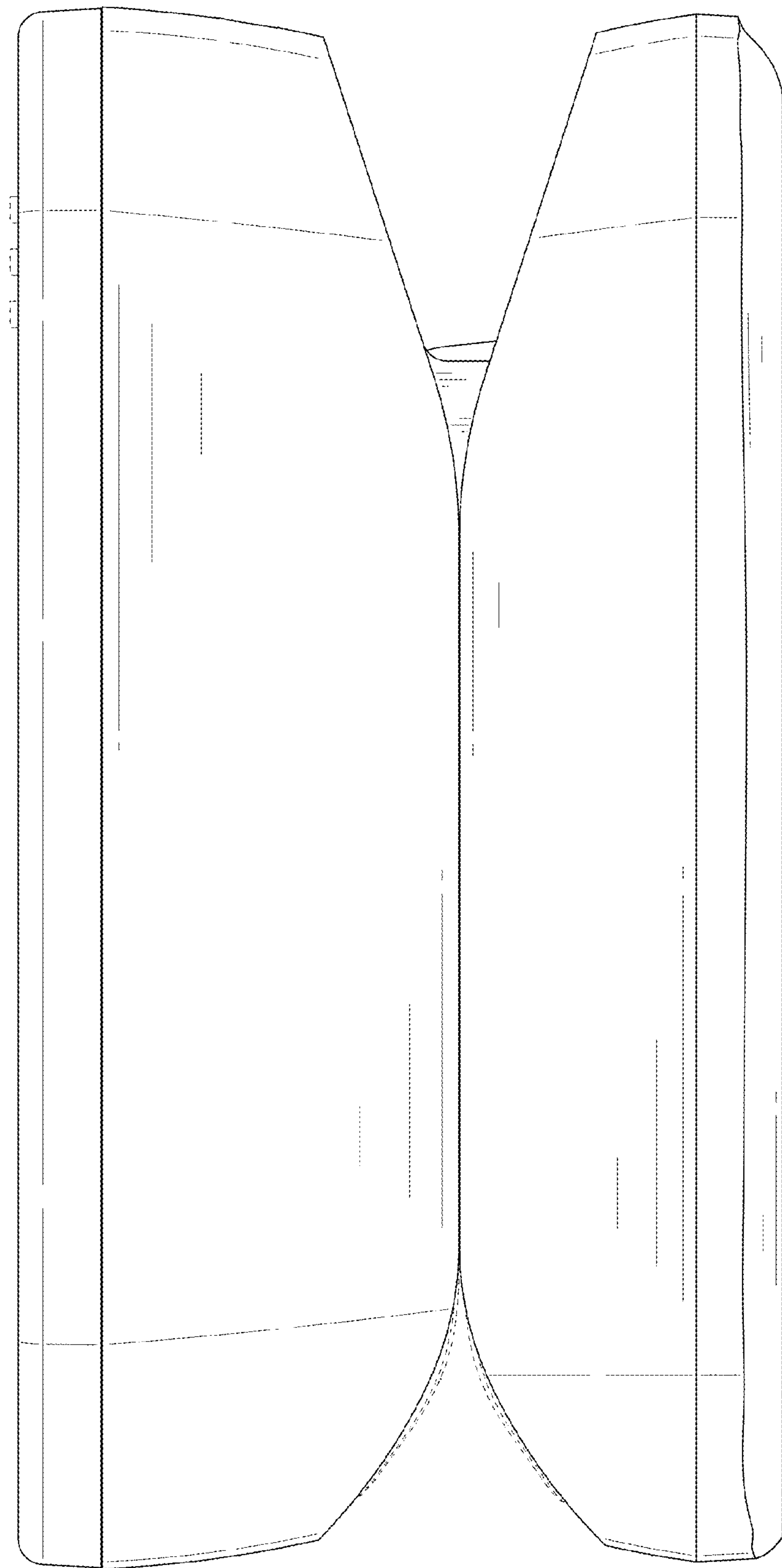


FIG. 5

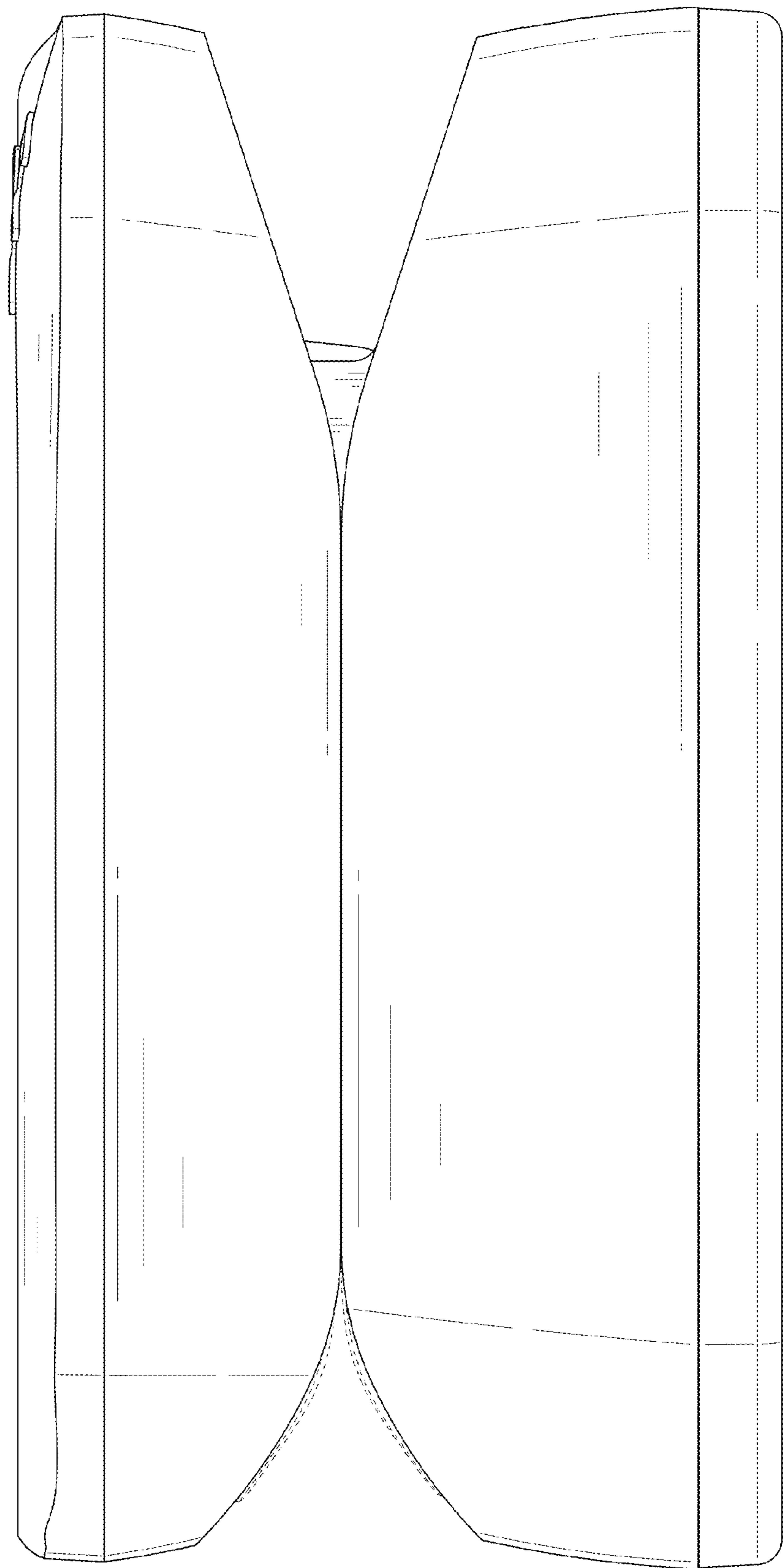


FIG. 6

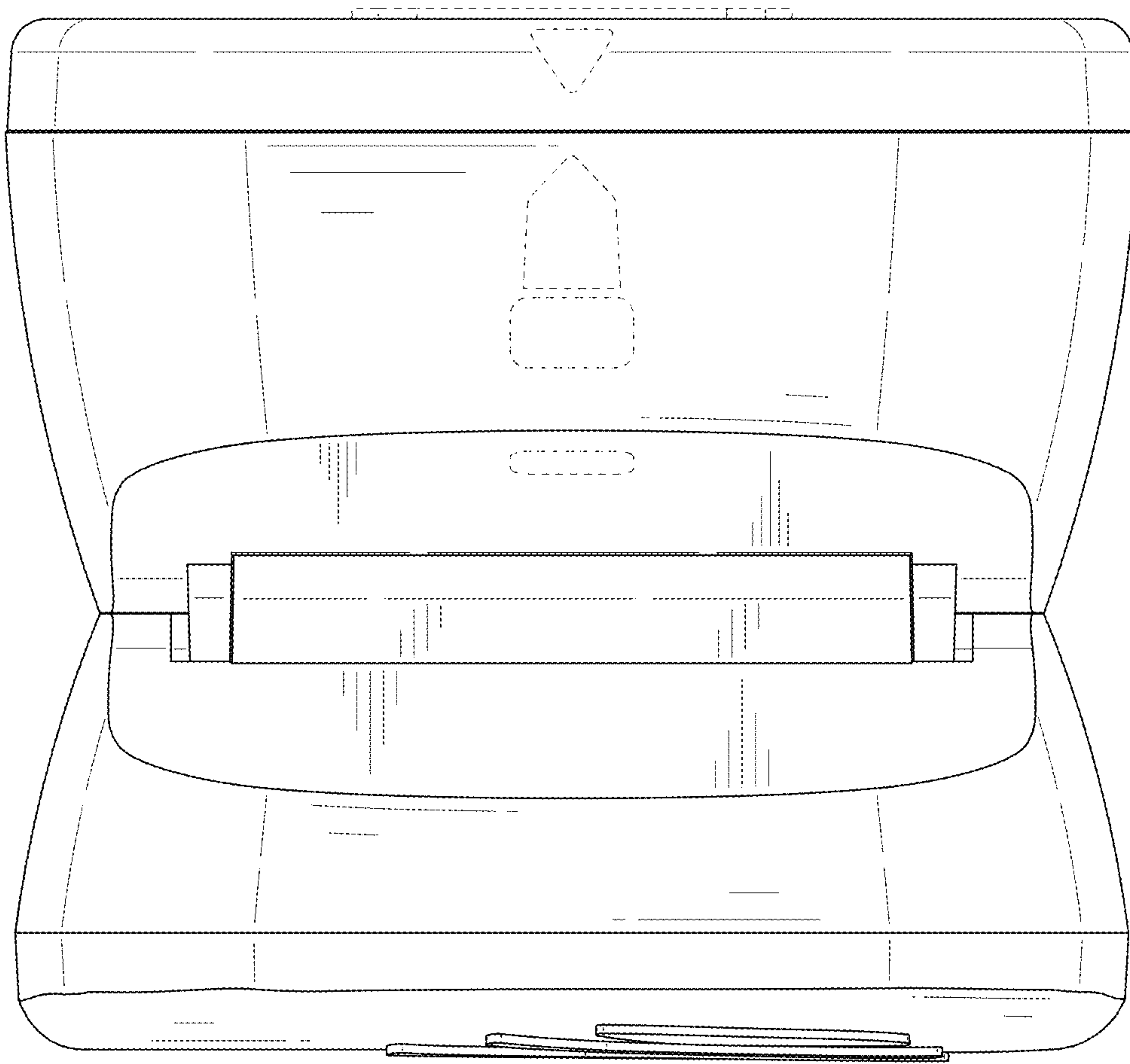


FIG. 7

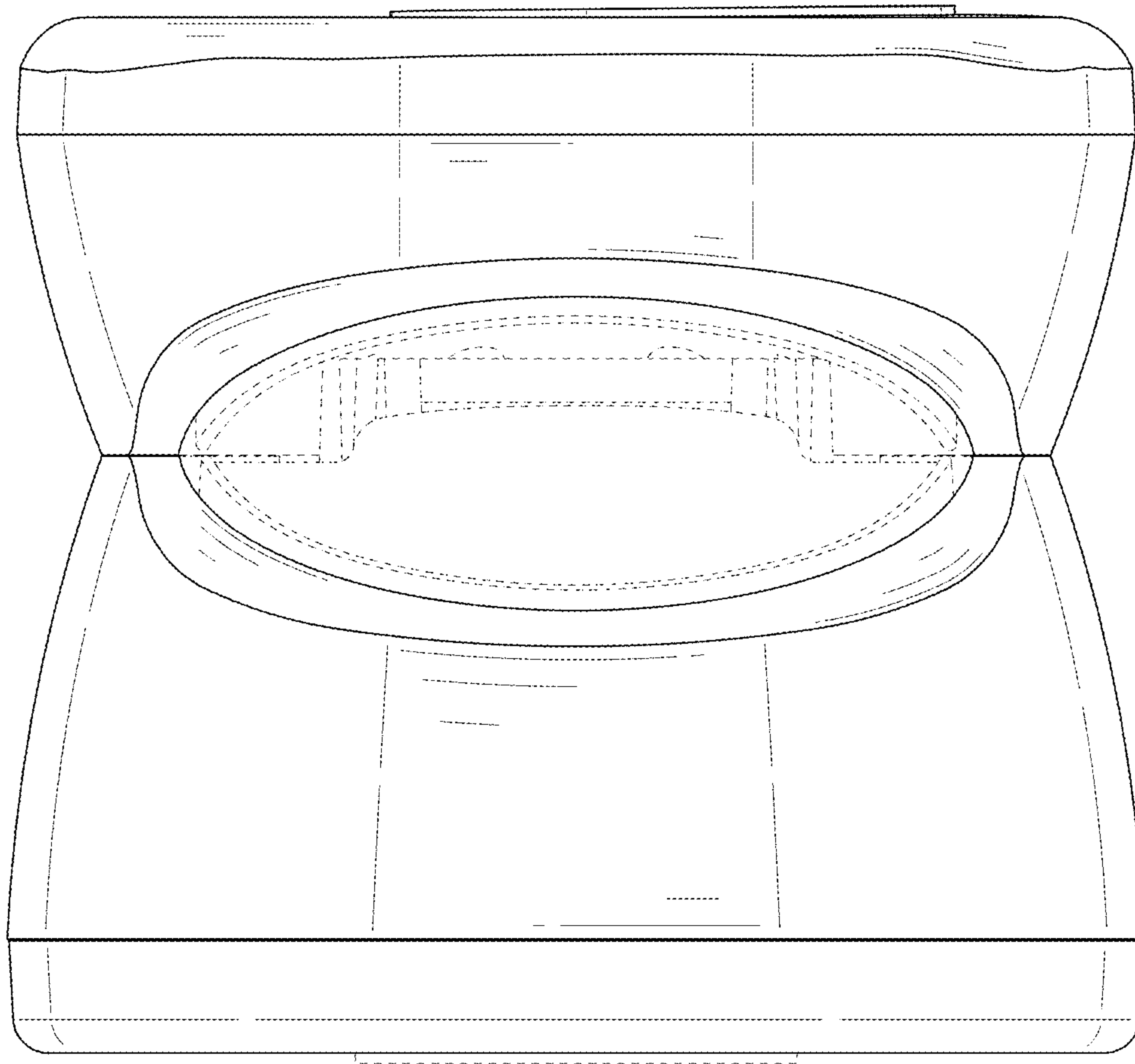


FIG. 8