



US00D918393S

(12) **United States Design Patent**
Geissen

(10) **Patent No.:** **US D918,393 S**

(45) **Date of Patent:** **** May 4, 2021**

(54) **PAIR OF ELECTRODE PADS**

(71) Applicant: **Sanofi**, Paris (FR)

(72) Inventor: **Julia Geissen**, Paris (FR)

(73) Assignee: **Sanofi**

(**) Term: **15 Years**

(21) Appl. No.: **29/633,220**

(22) Filed: **Jan. 12, 2018**

Related U.S. Application Data

(62) Division of application No. 29/579,018, filed on Sep. 27, 2016, now Pat. No. Des. 816,227.

(30) **Foreign Application Priority Data**

Mar. 29, 2016 (EM) 003046028-0002

Mar. 29, 2016 (EM) 003046028-0004

Mar. 29, 2016 (EM) 003046028-0006

(51) **LOC (13) Cl.** **24-01**

(52) **U.S. Cl.**
USPC **D24/168; D24/200**

(58) **Field of Classification Search**
USPC D24/165–168, 186, 187, 107, 200, 214,
D24/159, 161, 127; D10/30–39, 65, 70,
D10/75, 78, 97, 98, 103; D3/203.1;
D16/101, 300, 303–305, 315, 316,
D16/318–321; D6/337; D21/659–661;
D29/109–110; D5/4, 7, 55, 56, 58, 59,
D5/60, 61, 63, 99; D19/1, 2, 9, 10, 34.1,
D19/37, 113; D20/22, 27, 28
CPC A61N 1/39; A61N 1/3925; A61N 1/3968;
A61N 1/3987; A61N 1/3993; A61N
1/046; A61N 1/0484; A61N 1/0492;
A61N 1/04; A61N 1/0404; A61N 1/0476;
A61N 1/048; A61N 1/0488; A61N
1/0456; A61N

(Continued)

(56) **References Cited**

U.S. PATENT DOCUMENTS

D227,436 S * 6/1973 Lambertz D8/350

D274,239 S * 6/1984 Donadio D19/1

(Continued)

FOREIGN PATENT DOCUMENTS

BR MU8901002 2/2011

CN 101648051 2/2010

(Continued)

OTHER PUBLICATIONS

ElectroLast AED Trainer Foam Electrode Peel-Off Pads—
Heartstream Style, posted at universal medicine.com, retrieved Dec.
10, 2019, no posting date, URL: <https://www.universalmedicalinc.com/electrolast-aed-trainer-foam-electrode-peel-off-pads-heartstream-style.html> (Year: 2019).*

(Continued)

Primary Examiner — Lilyana Bekic

Assistant Examiner — Mary Shannon Malley

(74) *Attorney, Agent, or Firm* — Saidman DesignLaw
Group, LLC

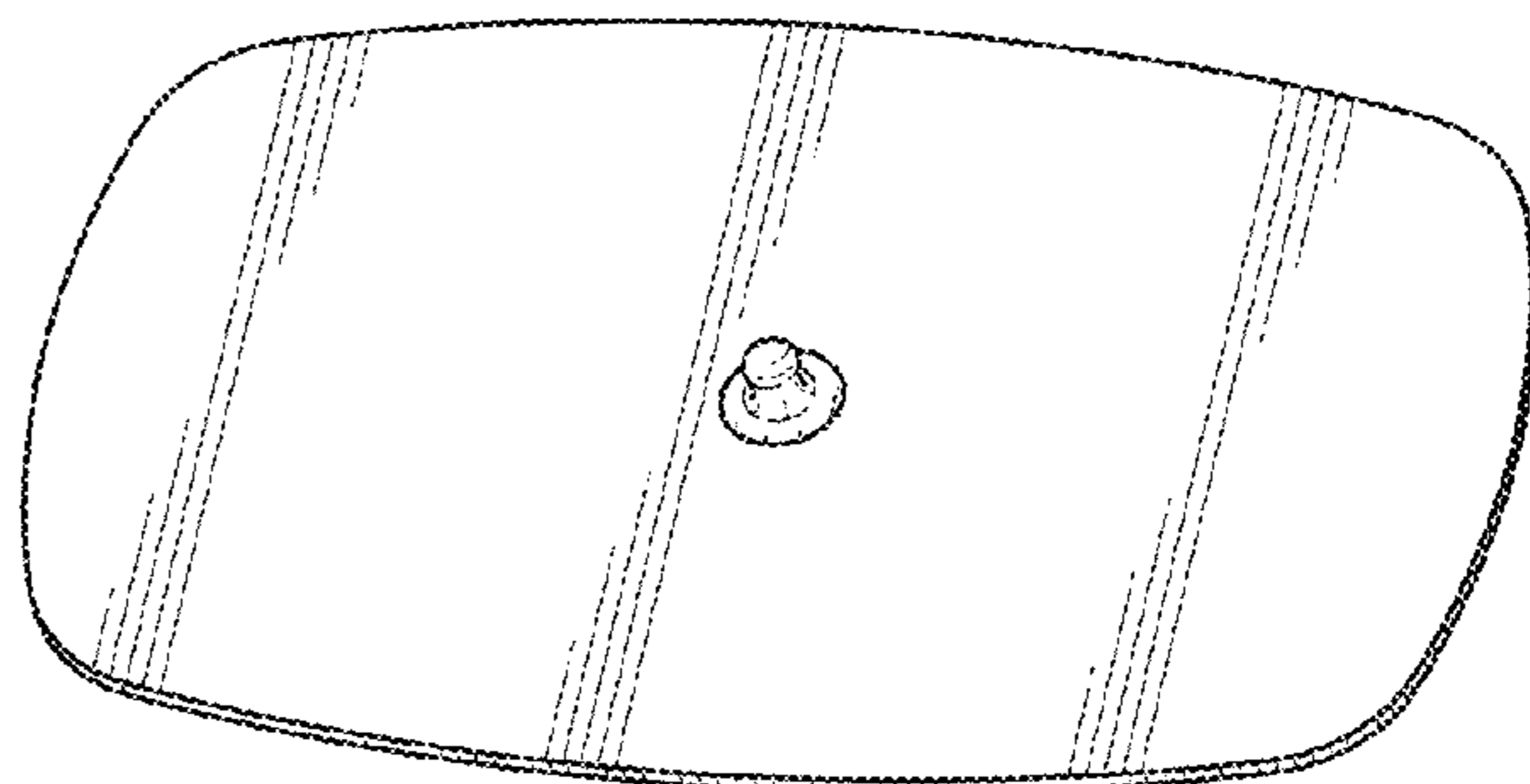
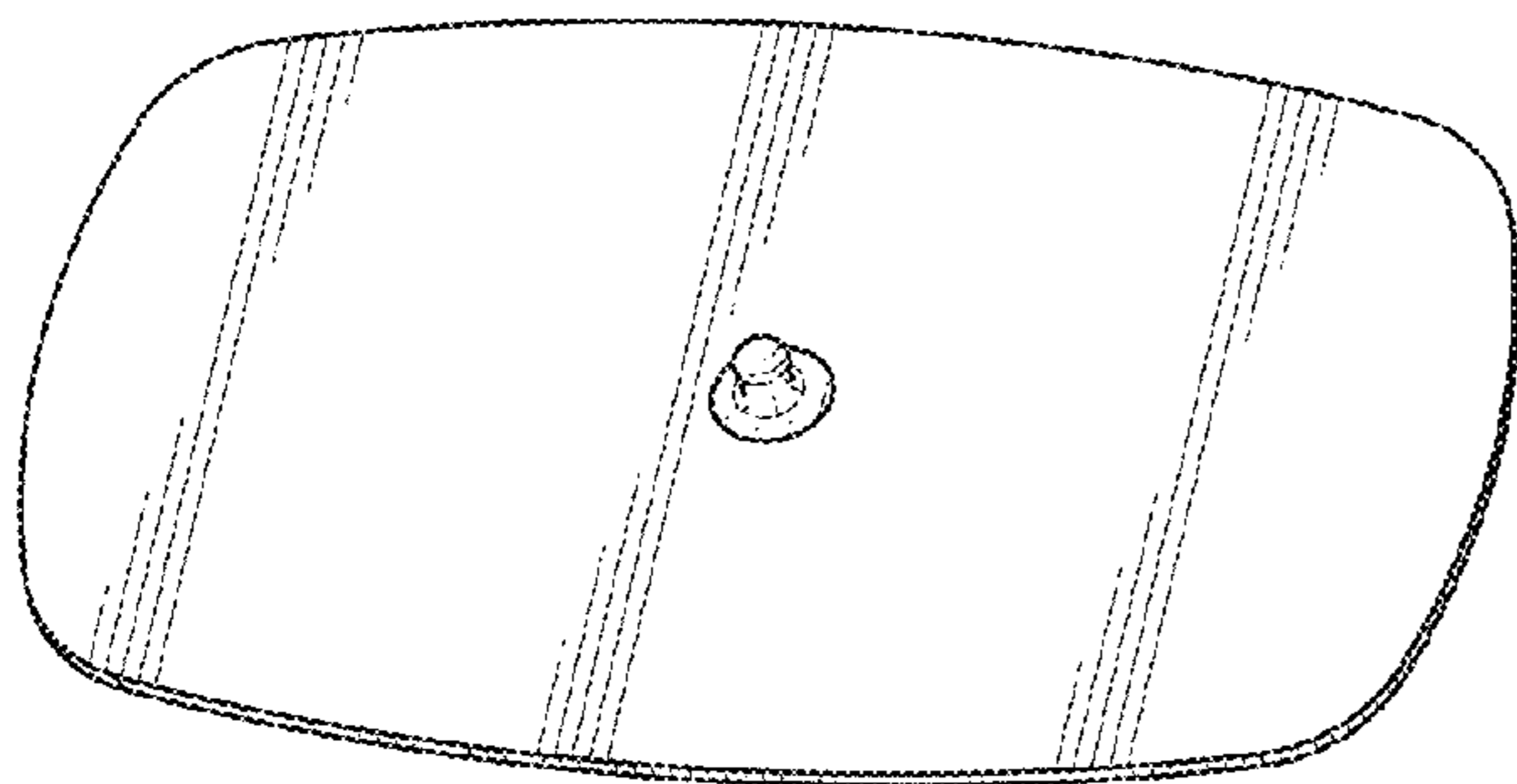
(57) **CLAIM**

The ornamental design for a pair of electrode pads, as shown
and described.

DESCRIPTION

FIG. 1 is a perspective view of a pair of electrode pads
showing my new design;
FIG. 2 is a front view thereof;
FIG. 3 is a rear view thereof;
FIG. 4 is a left side view thereof;
FIG. 5 is a right side view thereof;
FIG. 6 is a top view thereof; and,
FIG. 7 is a bottom view thereof.

1 Claim, 3 Drawing Sheets



(58) **Field of Classification Search**

CPC 1/36014; A61N 1/22; A61N 1/0536; A61N
1/0452; A61N 1/303; A61N 1/0472

See application file for complete search history.

FOREIGN PATENT DOCUMENTS

CN	102198309	9/2011
CN	202605531	12/2012
CN	203183518	9/2013
DE	202010008165	10/2010
EP	2263744	12/2010
EP	2392381	12/2011
GB	2478787	9/2011
RU	124157	1/2013
TW	M263115	5/2005
TW	201002380	1/2010
TW	201117850	6/2011
WO	2006/113801	10/2006
WO	2010/144982	12/2010

(56) **References Cited**

U.S. PATENT DOCUMENTS

4,951,333	A *	8/1990	Kaiser	A47G 9/062
				135/126
5,012,810	A *	5/1991	Strand	A61B 5/04087
				600/391
5,078,138	A *	1/1992	Strand	A61B 5/04087
				600/372
5,078,139	A *	1/1992	Strand	A61B 5/04087
				600/393
5,133,355	A *	7/1992	Strand	A61B 5/04087
				600/392
5,137,458	A *	8/1992	Ungs	G09B 23/288
				434/262
5,215,087	A *	6/1993	Anderson	A61B 5/04087
				600/392
D355,489	S *	2/1995	Almond	D24/189
5,456,710	A *	10/1995	Gadsby	A61N 1/0492
				607/142
5,511,548	A *	4/1996	Riazzi	A61B 5/0408
				600/391
D409,752	S	5/1999	Bishay et al.	
5,924,983	A *	7/1999	Takaki	H01B 1/24
				600/372
D476,693	S *	7/2003	Yuran	D20/22
6,662,056	B2 *	12/2003	Picardo	A61N 1/0472
				206/438
6,782,293	B2	8/2004	Dupelle et al.	
D498,848	S	11/2004	Vaisnys et al.	
D540,844	S *	4/2007	Nakanishi	D16/315
D553,675	S *	10/2007	Hogg	D19/10
D570,488	S *	6/2008	Kirksey	D24/189
D615,209	S	5/2010	Minogue et al.	
D624,962	S *	10/2010	Lazarowicz	G06Q 20/363
				D19/9
D639,437	S	6/2011	Bishay et al.	
8,452,409	B2 *	5/2013	Bachinski	A61N 1/0428
				607/46
8,463,388	B2	6/2013	Wei	
8,594,812	B2 *	11/2013	Meyer	A61N 1/046
				607/10
D696,086	S *	12/2013	Wang	D7/698
D739,532	S *	9/2015	Sicurelli	D24/158
D740,952	S *	10/2015	Kawahara	D24/189
D741,498	S *	10/2015	Kawahara	D24/189
9,211,399	B2	12/2015	Tsumura et al.	
9,373,271	B2 *	6/2016	Petruzzello	G09B 23/30
9,439,599	B2	9/2016	Thompson et al.	
D778,451	S *	2/2017	Takizawa	D24/187
D783,832	S	4/2017	Dascoli et al.	
D787,684	S	5/2017	Vezina	
D816,227	S *	4/2018	Geissen	D24/168
D831,217	S *	10/2018	Geissen	D24/168
D852,411	S *	6/2019	Grund	D27/170
D854,839	S *	7/2019	Hiyoshi	D6/337
D866,660	S *	11/2019	Mills	D19/9
D868,887	S *	12/2019	Mills	D19/9
2003/0181950	A1	9/2003	Powers et al.	
2008/0165318	A1 *	7/2008	Oskarsson	G02C 3/00
				351/71
2013/0226275	A1	8/2013	Duncan	
2014/0012360	A1 *	1/2014	Griesser	A61N 1/046
				607/142
2014/0128757	A1	5/2014	Banet et al.	
2014/0170622	A1	6/2014	Pastrick et al.	
2016/0082246	A1 *	3/2016	Piazza	A61N 1/0404
				607/5
2016/0296167	A1 *	10/2016	Kantor	A61M 16/0051

OTHER PUBLICATIONS

Which TENS Electrodes To Choose? posted at wellnessproducts.ch, retrieved Dec. 10, 2019, no posting date, URL: <https://www.wellnessproducts.ch/?page=2142&lan=en&id=100> (Year: 2019).*

MyTens Wireless TENS Unit and Muscle Stimulator, posted at morningsave.com, retrieved Dec. 10, 2019, no posting date, URL: <https://morningsave.com/deals/mytens-wireless-tens-unit-and-muscle-stimulator-1> (Year: 2019).*

FITOP Électrodes 20pcs Electrodes pour Electrostimulation TENS et EMS, posted at amazon.fr, available Feb. 5, 2017, retrieved Dec. 10, 2019, url:https://www.amazon.fr/dp/B01LEUGMX8/ref=sspa_dk_detail_0?psc=1&pd_rd_i=B01LEUGMX8&pd_rd_w=Q0isu&pf_rd_ (Year: 2019).*

Electrostimulation rectangular electrodes, posted at bewll-connect.com, no posting date, retrieved Dec. 10, 2019, online, URL:<https://bewell-connect.com/en/product/electrostimulation-rectangular-electrodes/> (Year: 2019).*

Car Door Side Wing Mirror Glass for BMW E39/E46 320i 330i 325i 525i L/R Part, 1 Pair, posted at mpakissale.com, retrieved Jan. 3, 2020, online, URL:<https://www.mpakissale.com/car-door-side-wing-mirror-glass-for-bmw-e39e46-320i-330i-325i-525i-lr-part-1-pair-car-rear-view> (Year: 2020).*

BMW 320I (2005) posted at burcoinc.com, no posting date, retrieved Jan. 3, 2020, online, URL: <https://burcoinc.com/redi-cuts-catalog/> (Year: 2020).*

CIPA Mirrors 19000 Dual Sport Car Mirror, posted at motoroso.com, no posting date, retrieved Jan. 3, 2020, online, URL:<https://www.motoroso.com/p/101737-cipa-mirrors-19000-dual-sport-car-mirror#product-fitment> (Year: 2020).*

Italian Mid-Century Modern Brass Wrapped Atomic Wall Mirror, posted at highstyledeco.com, circa 1950, retrieved Jan. 3, 2020, online, URL: <https://www.highstyledeco.com/wall/italian-mid-century-modern-brass-wrapped-atomic-wall-mirror> (Year: 2020).*

Infinity Silver Oblong Wall Mirror, posted at cb2.com, no posting date, retrieved Jan. 3, 2020, online, URL: <https://www.cb2.com/infinity-silver-oblong-wall-mirror/s213569> (Year: 2020).*

Retro 1990's Fashion Rectangle Flat Lens Sunglasses C598, posted at shopzerouv.com, no posting date, online, URL: <https://www.shopzerouv.com/products/retro-1990s-fashion-rectangle-flat-lens-sunglasses-c598> (Year: 2020).*

Pair of Petite Danish Modern Teak Butcher Block Cutting Boards, posted at 1stdibs.com, no posting date, retrieved Jan. 5, 2020, online, URL:https://www.1stdibs.com/furniture/dining-entertaining/butcher-blocks/pair-of-petite-danish-modern-teak-butcher-block-cutting-boards/id_f_17128542/ (Year: 2020).*

Porsche 944 944S 944S2 944 Turbo, Flag Side Mirrors In Red Set of 2 OEM(#8), posted at ebay.com, retrieved Aug. 10, 2020, online, URL:<https://www.ebay.com/i/254513728837?chn=ps&norover=1&mkevt=1&mkrid=711-117182-37290-0&mkcid=2&itemid=254513728837&targetid=930914521630&device=c&mktype=pla&googleloc=900853> (Year: 2020).*

Porsche—944 (1987), posted at burcoinc.com, no posting date, retrieved Aug. 10, 2020, online, URL: <https://burcoinc.com/redi-cuts-catalog/> (Year: 2020).*

(56)

References Cited

OTHER PUBLICATIONS

The Daily 944 : Episode 4 : Passenger Side Mirror Replacement, posted at youtube.com, posted Oct. 11, 2016, retrieved Aug. 10, 2020, online, URL: <https://www.youtube.com/watch?v=jZIZ0DHE8q8> (Year: 2016).*

The Porsche 944: History, Changes, Specifications, posted at automobilemag.com, posted Jun. 16, 2020, retrieved Aug. 10, 2020, online, URL: <https://www.automobilemag.com/news/porsche-944-history-changes-specifications/> (Year: 2020).*

BMW E46 3-series Coupe side mirror glass removal (and readhesion), posted at youtube.com, posted Jun. 18, 2020, retrieved Aug. 10, 2020, online, URL: https://www.youtube.com/watch?v=4LC_V_OXv0Y (Year: 2020).*

How to Replace Side Mirror Glass 07-13 Chevy Silverado, posted at youtube.com, posted Jan. 16, 2019, retrieved Aug. 10, 2020, online, URL: https://www.youtube.com/watch?v=ny8OeJ_LOjk (Year: 2019).*

How to replace a broken side mirror glass with a Burco Redi Cut drop fit replacement, posted at youtube.com, posted Apr. 23, 2014, retrieved Aug. 10, 2020, online, URL: <https://www.youtube.com/watch?v=XtfDvmqzerQ> (Year: 2014).*

1987 Porsche 944 Driver and Passenger Side Mirror Glass—2814, posted at mirrorglassplus.com, no posting date, retrieved Aug. 10, 2020, online, URL: http://mirrorglassplus.com/1987-porsche-944-driver-and-passenger-side-mirror-2814/?gclid=EAlalQobChMlxpvK4aiR6wIVil7ICh3ilQpCEAQYASABEgJY_D_BwE (Year: 1987).*

Painmaster, Micro Current Therapy Unit, available at least as early as Mar. 9, 2016, 2 pages.

Beurer, EM10 Back TENS to-go Mini-Pad, available at least as early as Mar. 9, 2016, 2 pages.

Sanitas, SEM05 Mini-Pad TENS, available at least as early as Mar. 9, 2016, 2 pages.

* cited by examiner

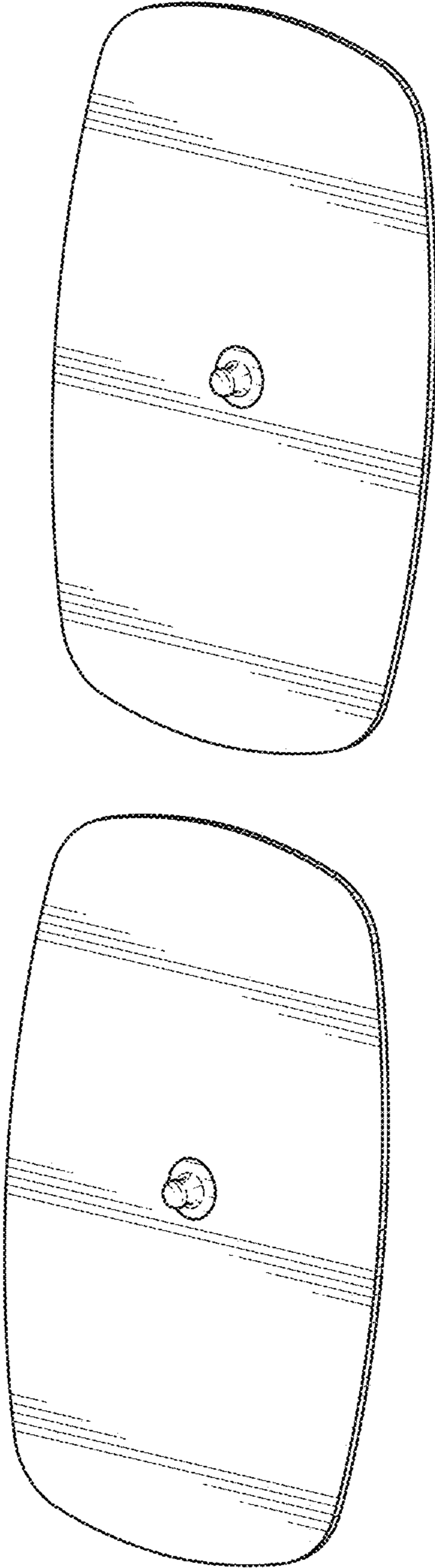


FIG. 1

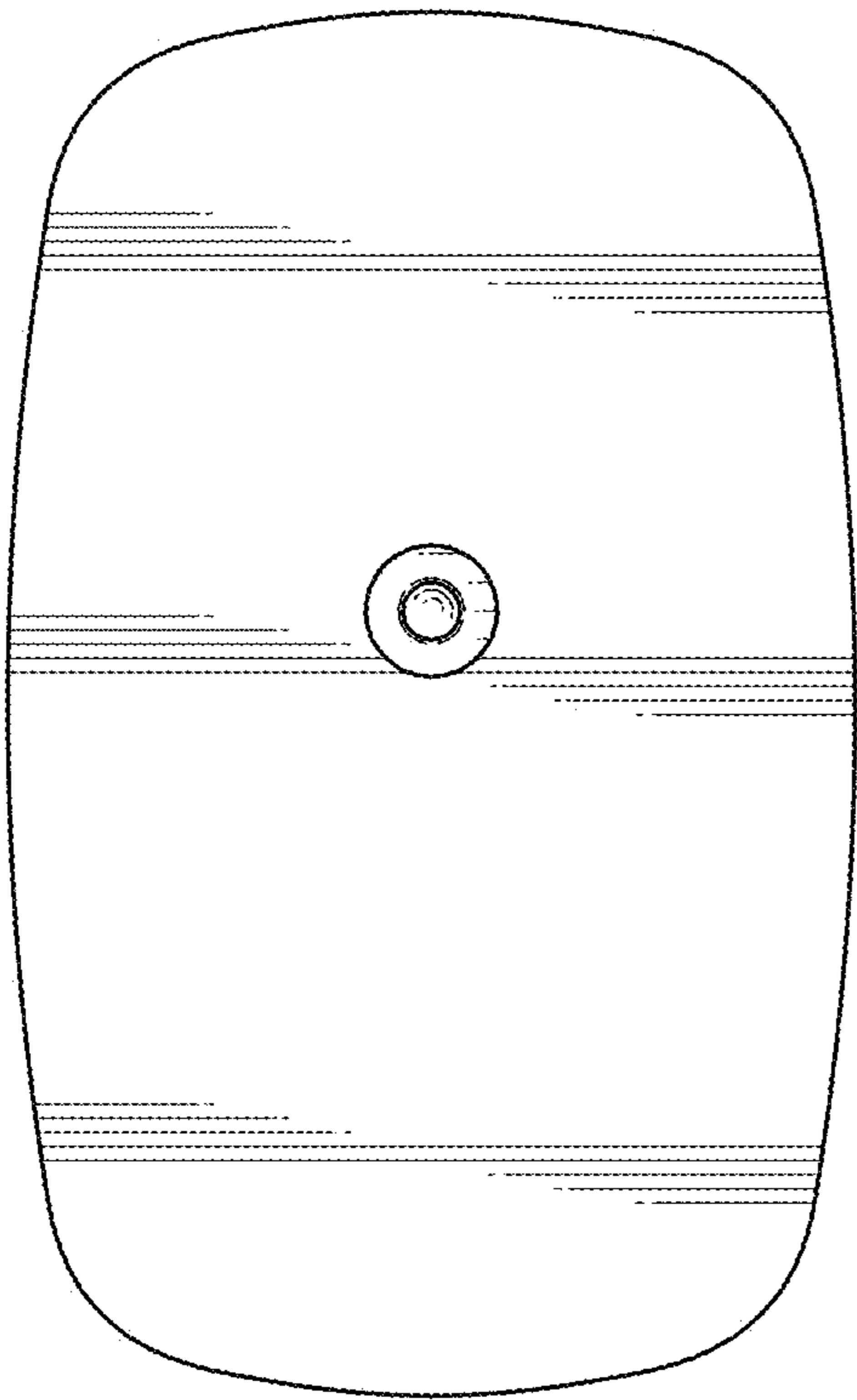


FIG. 2

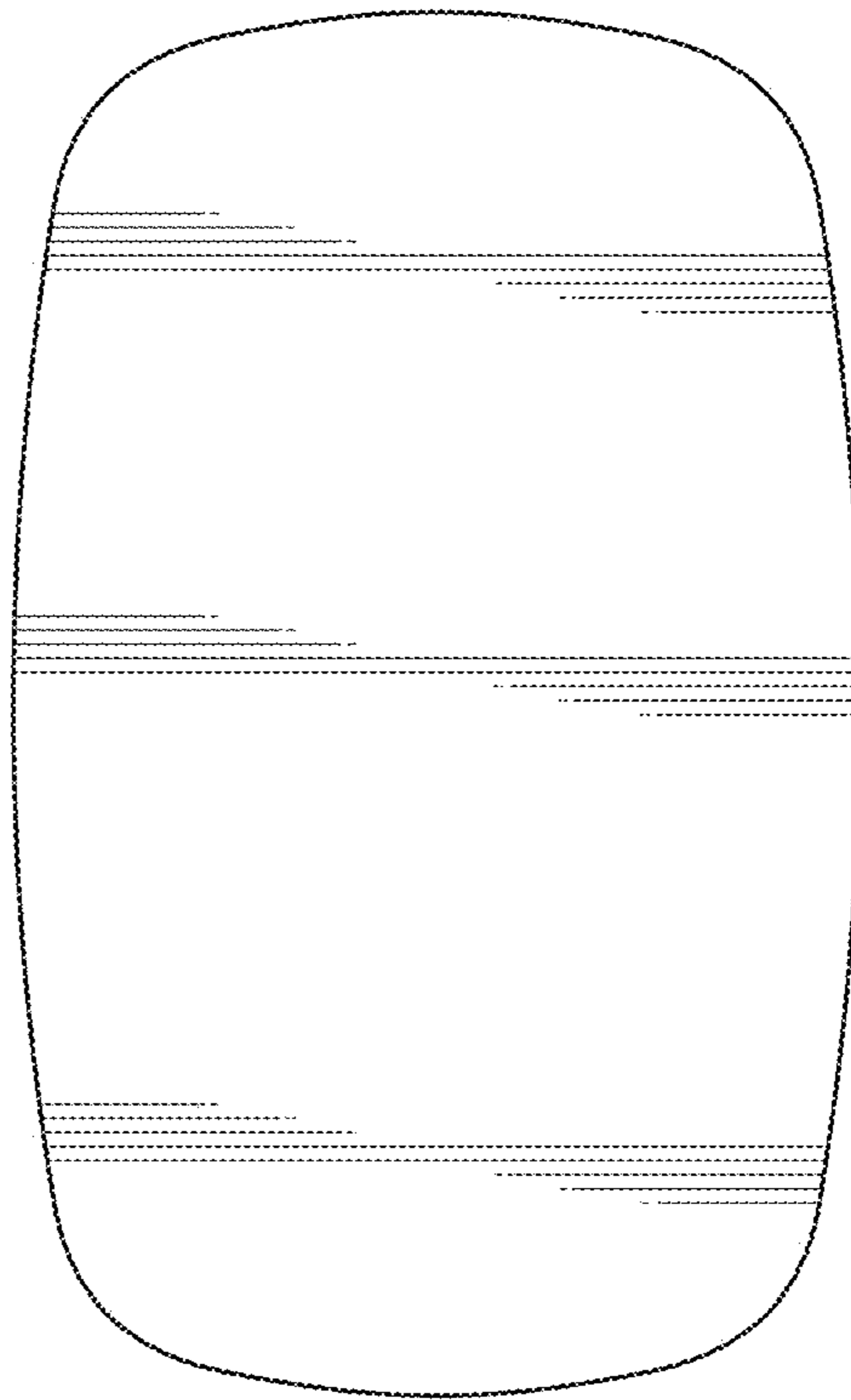


FIG. 3

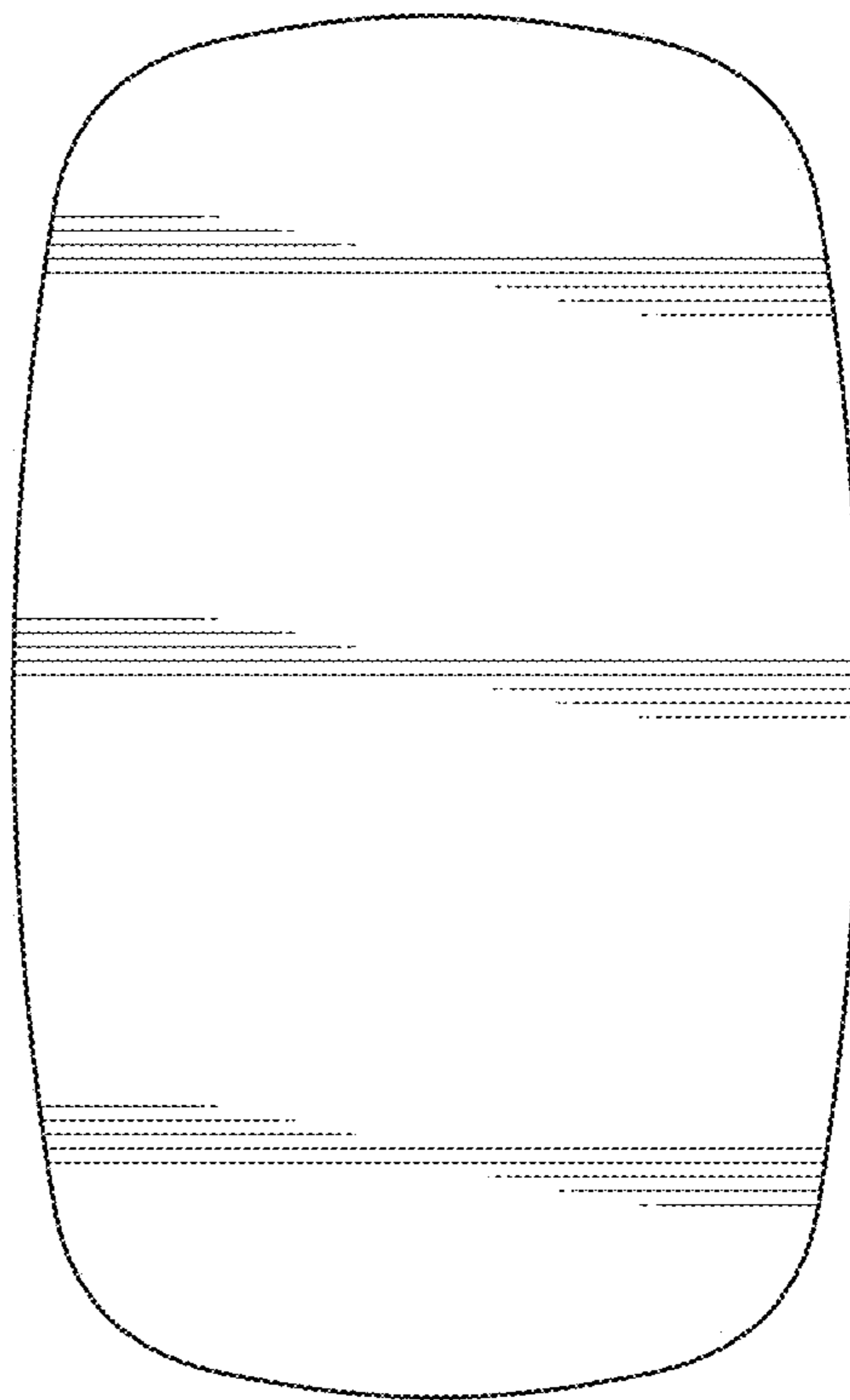
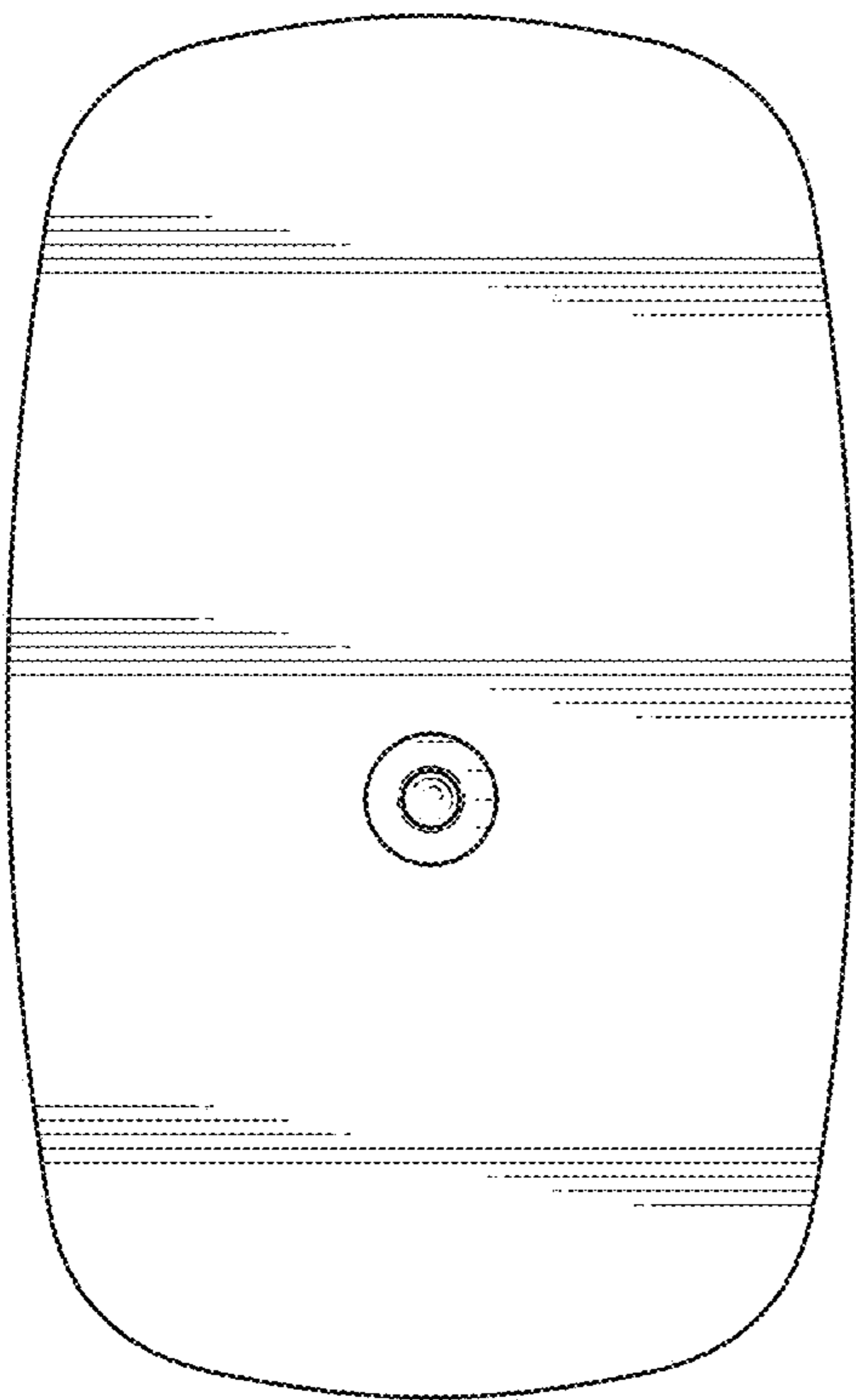




FIG. 4



FIG. 5

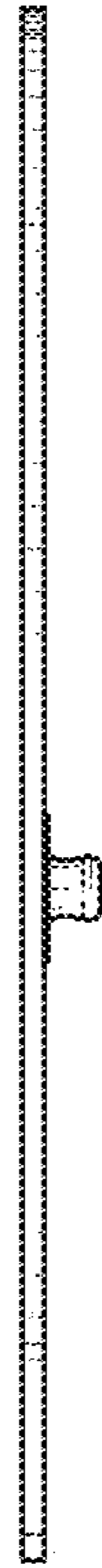


FIG. 6



FIG. 7