



US00D918391S

(12) **United States Design Patent**
Hwang

(10) **Patent No.:** **US D918,391 S**

(45) **Date of Patent:** **** May 4, 2021**

(54) **ELECTROCARDIOGRAPHIC DEVICE**

(71) Applicant: **HEXACHECK INC.**, Daejeon (KR)

(72) Inventor: **In-Duk Hwang**, Sejong (KR)

(73) Assignee: **HEXACHECK INC.**, Daejeon (KR)

(**) Term: **15 Years**

(21) Appl. No.: **35/507,623**

(22) Filed: **Jun. 9, 2019**

(80) **Hague Agreement Data**

Int. Filing Date: **Jun. 9, 2019**

Int. Reg. No.: **DM/203577**

Int. Reg. Date: **Jun. 9, 2019**

Int. Reg. Pub. Date: **Nov. 1, 2019**

(51) **LOC (13) Cl.** **24-02**

(52) **U.S. Cl.**

USPC **D24/167**

(58) **Field of Classification Search**

USPC D24/186, 187, 167, 168, 200

CPC . A61B 5/0006; A61B 5/04012; A61B 5/0456;

A61B 5/04085; A61B 5/0452; A61B

5/044

See application file for complete search history.

(56) **References Cited**

U.S. PATENT DOCUMENTS

D414,870 S * 10/1999 Saltzstein D24/186

D547,454 S * 7/2007 Hsieh D24/186

D558,351 S * 12/2007 Diener D24/186

D608,451 S * 1/2010 Hanoun D24/186

D609,350 S * 2/2010 Hickey D24/186

D609,351 S * 2/2010 Wagener D24/186

D782,683 S * 3/2017 Singh D24/167

* cited by examiner

Primary Examiner — Eliza Z Bennett-Hattan

(74) *Attorney, Agent, or Firm* — IPLA P.A.

(57) **CLAIM**

The ornamental design for an electrocardiographic device, as shown and described.

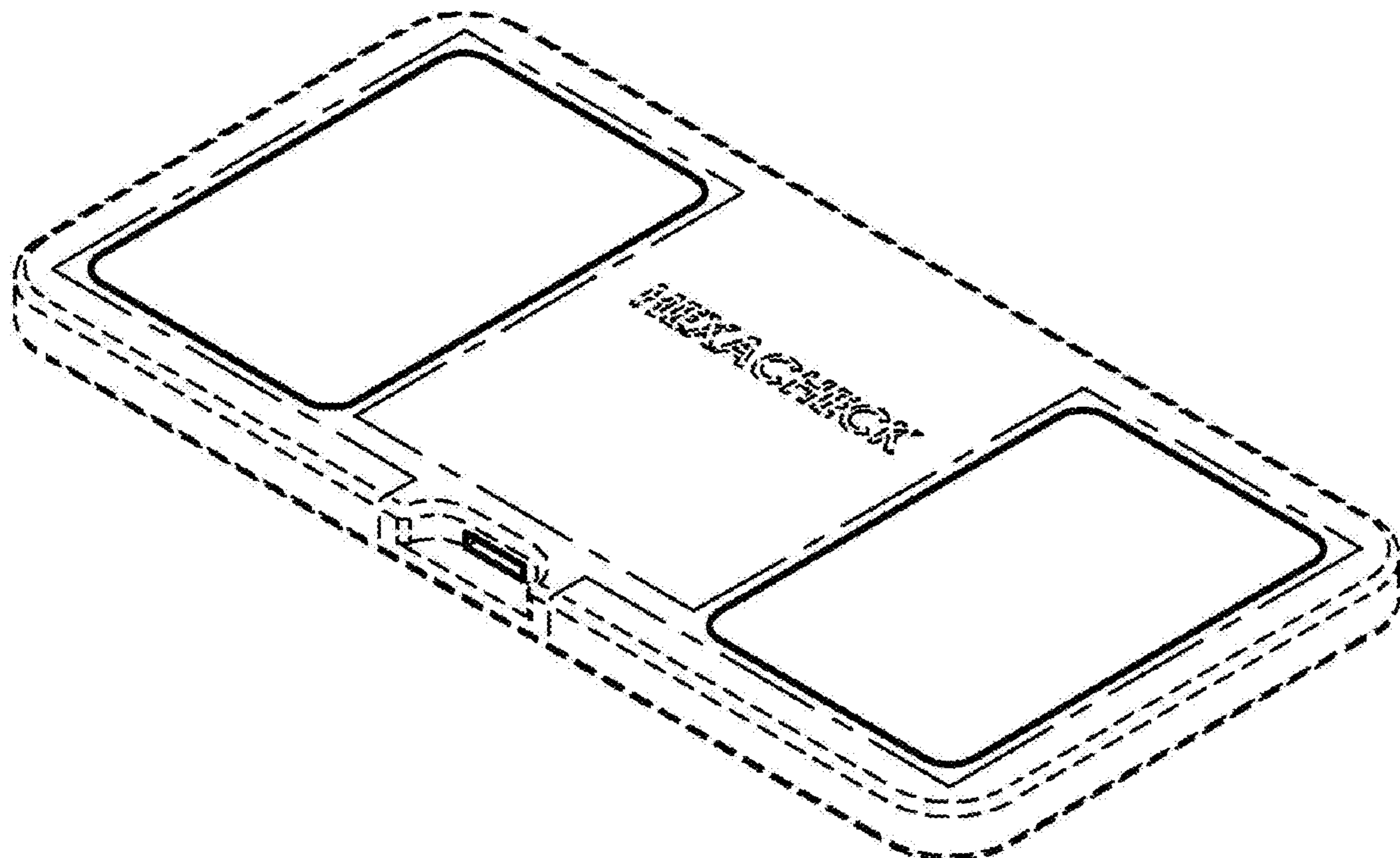
DESCRIPTION

1. Electrocardiographic device

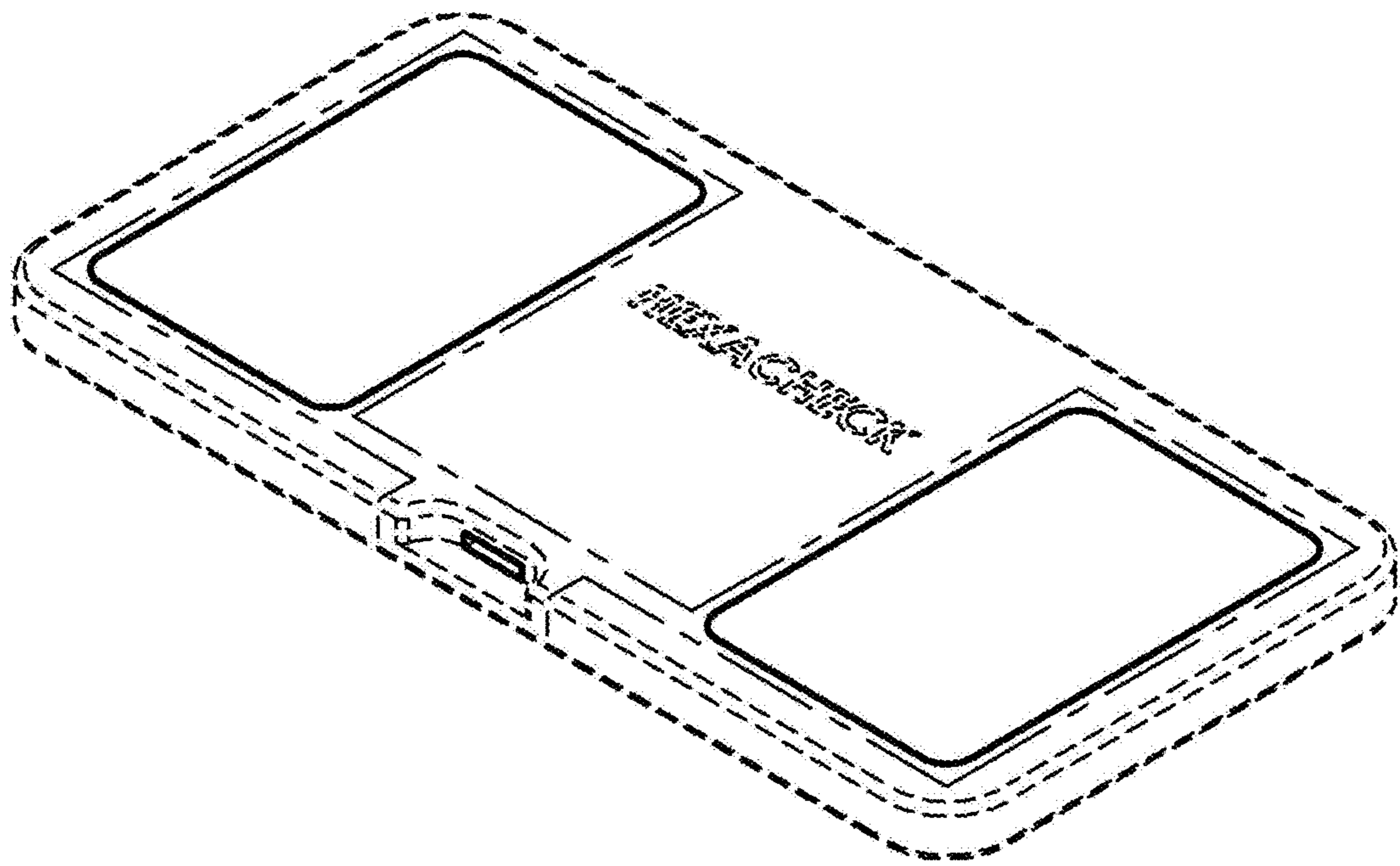
FIG. 1.1 is a top front perspective view of an electrocardiographic device showing our new design; FIG. 1.2 is a front view thereof; FIG. 1.3 is a rear view thereof; FIG. 1.4 is a left side view thereof; FIG. 1.5 is a right side view thereof; FIG. 1.6 is a top view thereof; FIG. 1.7 is a bottom view thereof; and, FIG. 1.8 is a bottom front perspective view thereof.

The broken lines shown in FIGS. 1.1-1.8 illustrate portions of the electrocardiographic device that form no part of the claimed design. The dot-dash lines shown in FIGS. 1.1 and 1.6-1.8 illustrate the bounds of the claim and form no part of the claimed design.

1 Claim, 8 Drawing Sheets



1.1



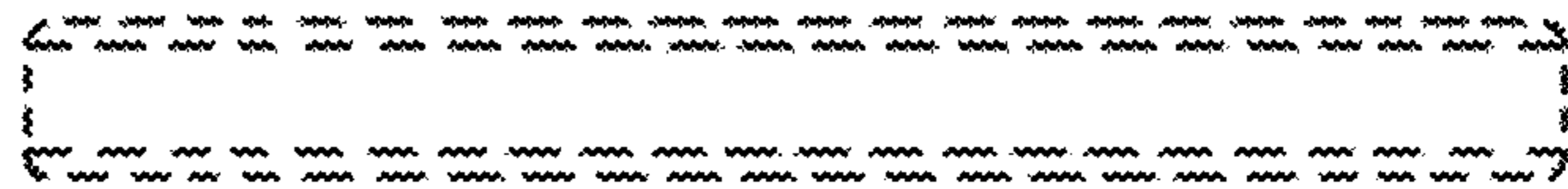
1.2



1.3



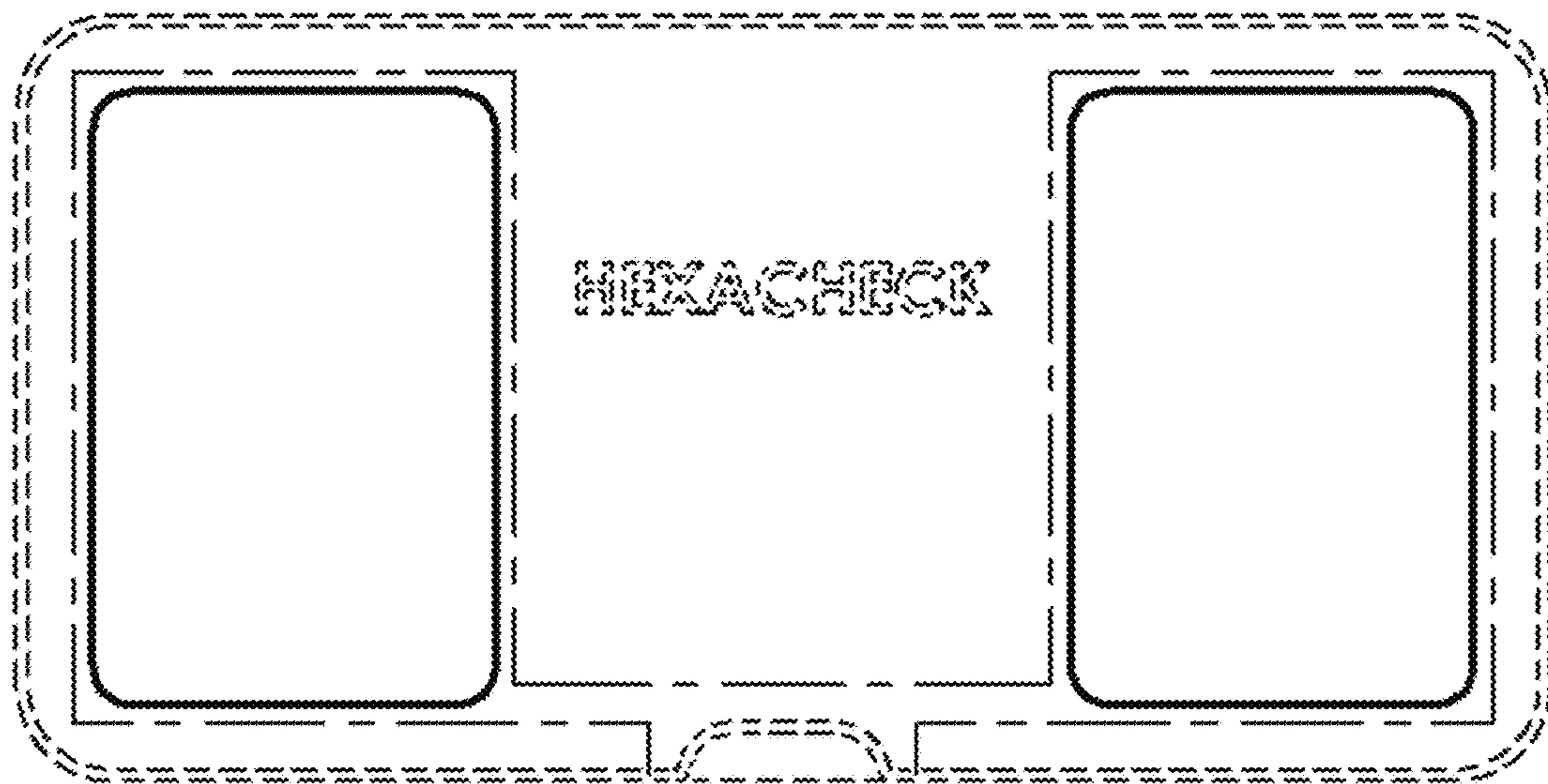
1.4



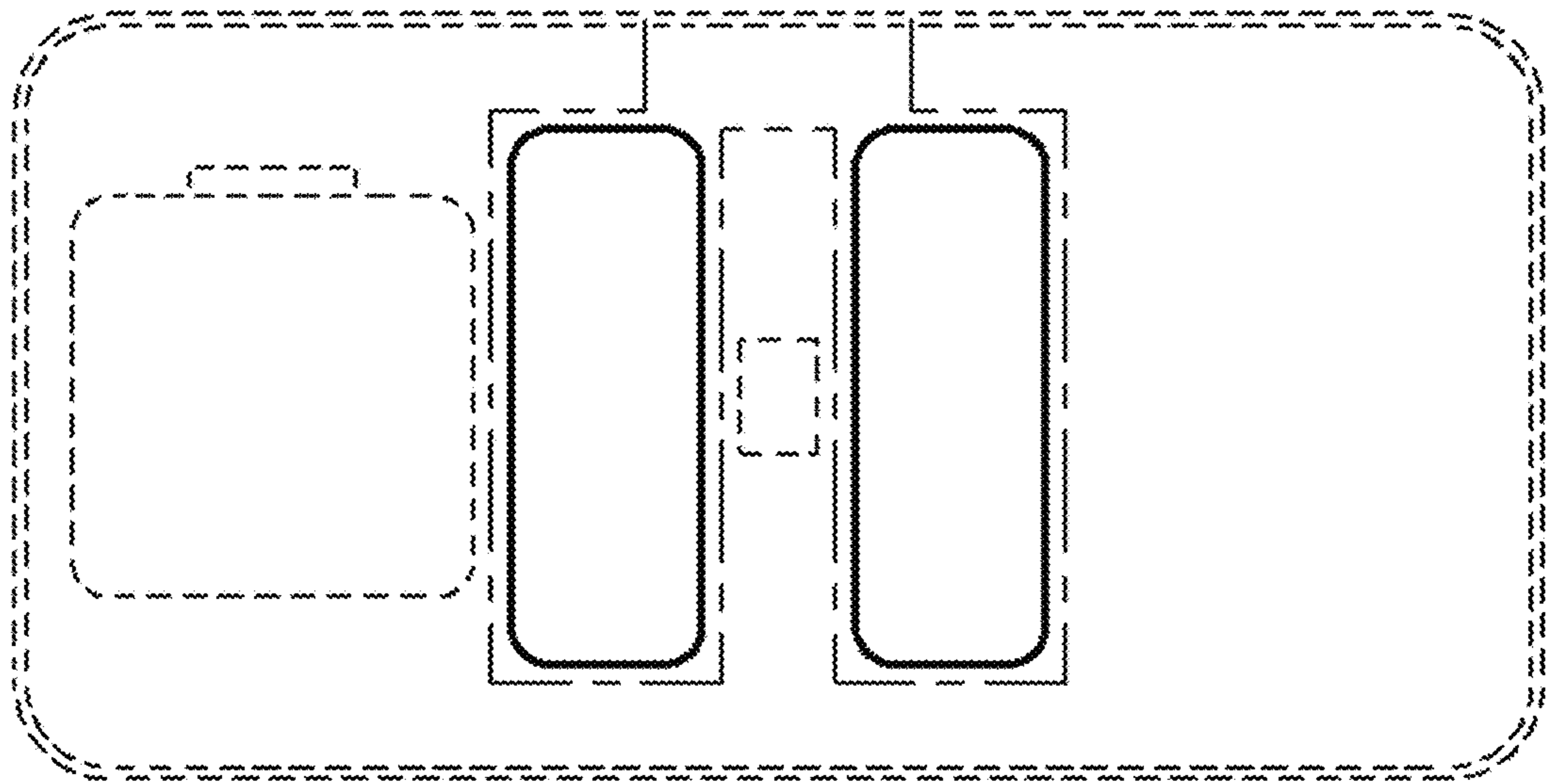
1.5



1.6



1.7



1.8

