



US00D918389S

(12) **United States Design Patent** (10) **Patent No.:** **US D918,389 S**
Wittke (45) **Date of Patent:** **** May 4, 2021**

(54) **OBTURATOR**

(71) Applicant: **KARL STORZ SE & Co. KG,**
Tuttlingen (DE)

(72) Inventor: **Uwe Wittke,** Tuttlingen (DE)

(73) Assignee: **KARL STORZ SE & Co. KG,**
Tuttlingen (DE)

(**) Term: **15 Years**

(21) Appl. No.: **29/646,713**

(22) Filed: **May 7, 2018**

(30) **Foreign Application Priority Data**

Nov. 6, 2017 (EM) 004495315-0001
Nov. 6, 2017 (EM) 004495315-0002

(51) **LOC (13) Cl.** **24-02**

(52) **U.S. Cl.**
USPC **D24/146**

(58) **Field of Classification Search**

USPC D24/127, 130, 133, 146, 147
CPC A61B 18/149; A61B 2018/00196; A61B
2018/1475; A61B 18/14; A61B 18/1485;
A61B 2017/00274; A61B 2018/00577;
A61B 2018/00601; A61B 2018/126;
A61B 2018/1407; A61B 17/32056; A61B
2017/320004; A61B 2018/1405; A61B
2018/1861

See application file for complete search history.

(56) **References Cited**

U.S. PATENT DOCUMENTS

D637,290 S * 5/2011 Schwoy D24/146
D737,443 S * 8/2015 Ciravolo D24/147

D761,961 S * 7/2016 Tan D24/143
D782,040 S * 3/2017 Teufel D24/138
D789,535 S * 6/2017 Wittner D24/146
D790,697 S * 6/2017 Bresco Torras D24/138
D791,317 S * 7/2017 Bresco Torras D24/138
D820,444 S * 6/2018 Pansadoro D24/133
2004/0064139 A1 * 4/2004 Yossepowitch
A61B 17/320016
606/46
2015/0066018 A1 * 3/2015 Doll A61B 18/16
606/39
2019/0015128 A1 * 1/2019 Loffler A61B 18/1485
2019/0069946 A1 * 3/2019 Loffler A61B 18/14

* cited by examiner

Primary Examiner — Samantha Q Lawrence

(74) *Attorney, Agent, or Firm* — Muncy, Geissler, Olds &
Lowe, P.C.

(57) **CLAIM**

The ornamental design for an obturator, as shown and described.

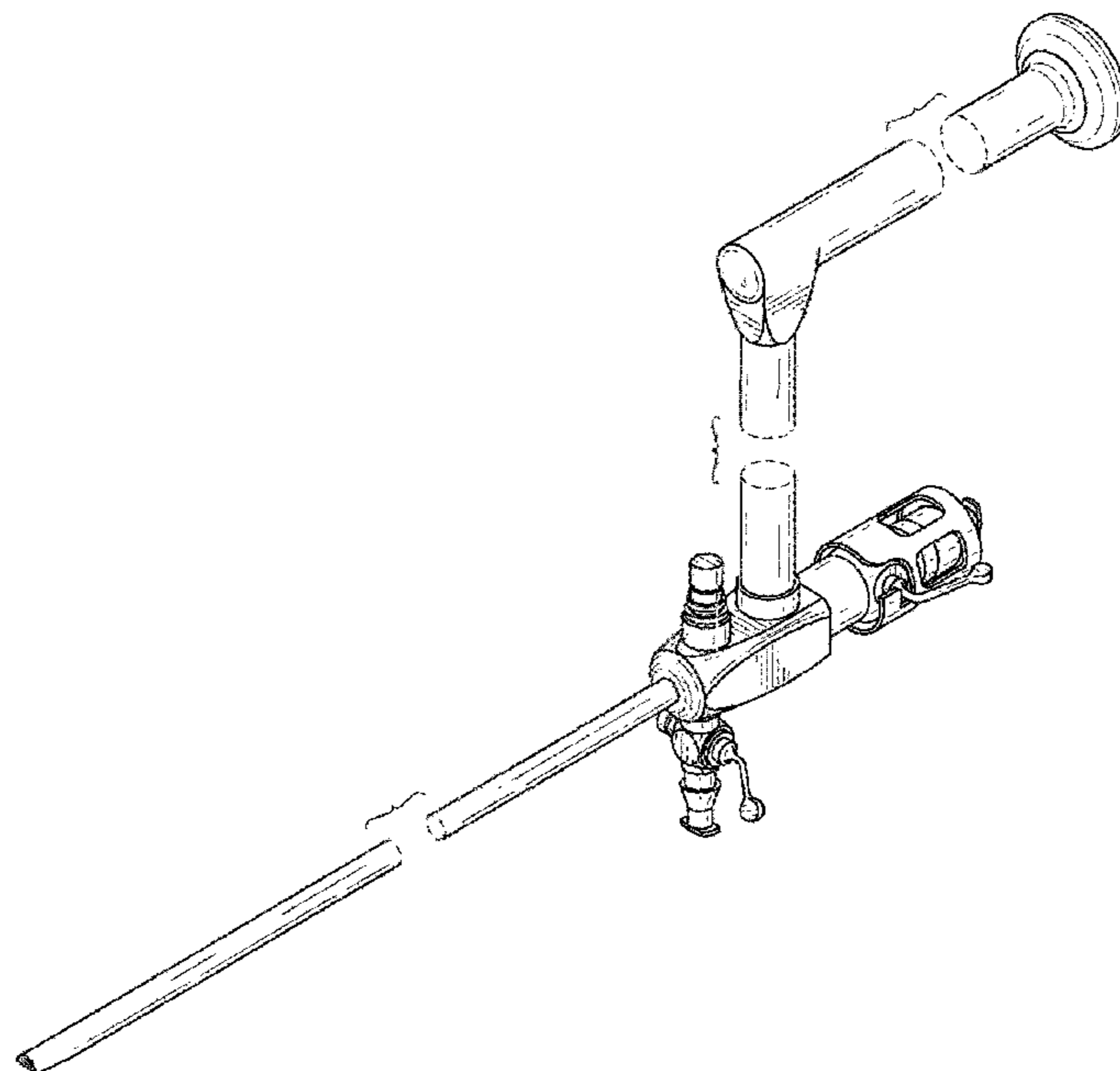
DESCRIPTION

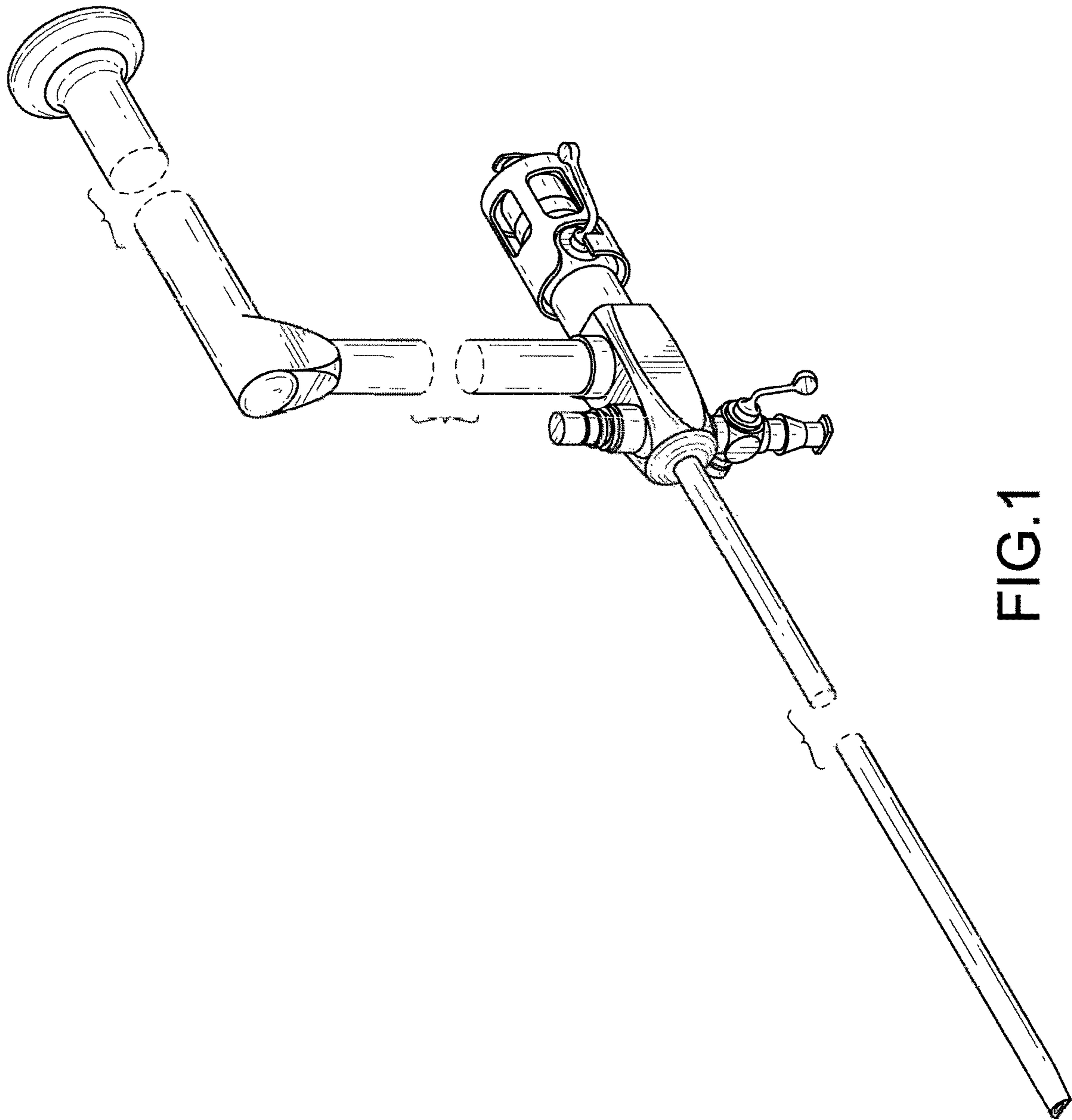
FIG. 1 is a front perspective view of an obturator;
FIG. 2 is a front view of the obturator of FIG. 1.
FIG. 3 is a rear view of the obturator of FIG. 1.
FIG. 4 is a left side view of the obturator of FIG. 1.
FIG. 5 is a right side view of the obturator of FIG. 1.
FIG. 6 is a top view of the obturator of FIG. 1; and,
FIG. 7 is a bottom view of the obturator of FIG. 1.

The dashed lines illustrate environment that does not form a part of the present invention, and no claim is made to the material illustrated with dashed lines.

The obturator is shown with a symbolic break in its length. The appearance of any portion of the article between the break lines forms no part of the claimed design.

1 Claim, 7 Drawing Sheets





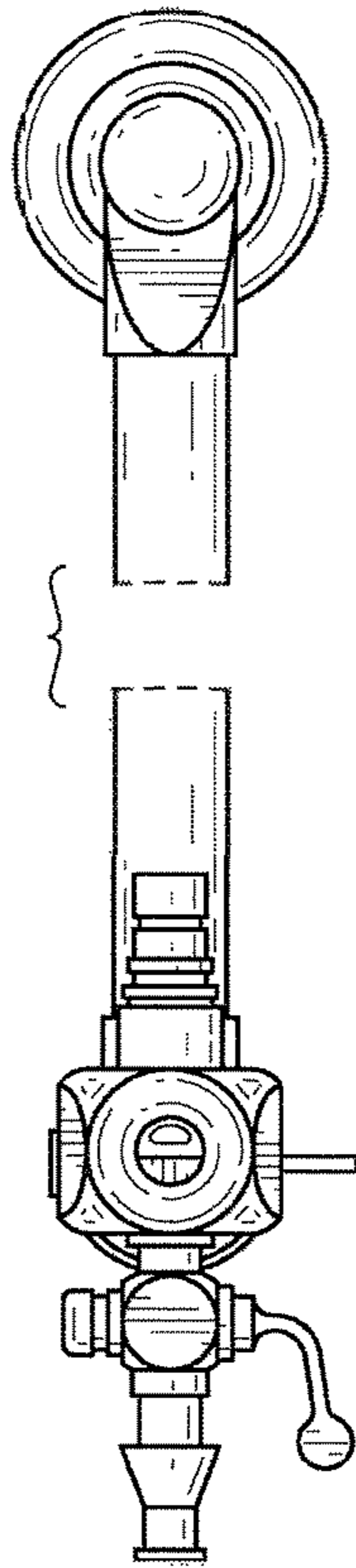


FIG.2

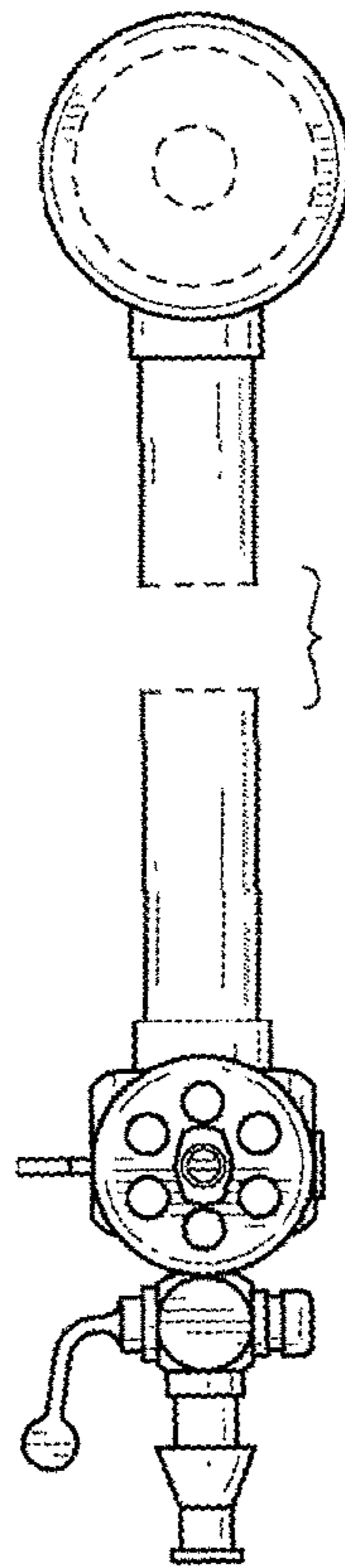


FIG.3

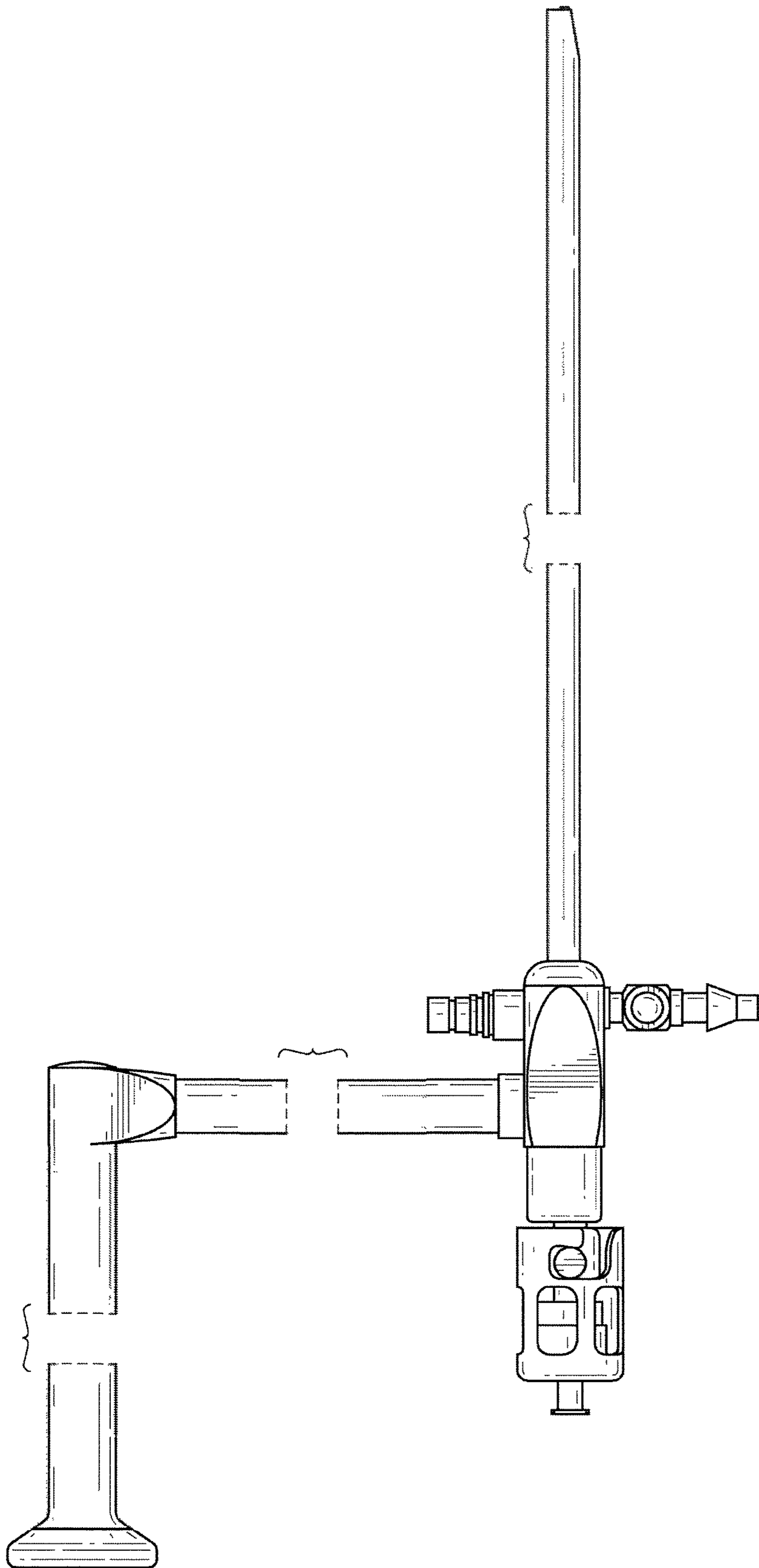


FIG.4

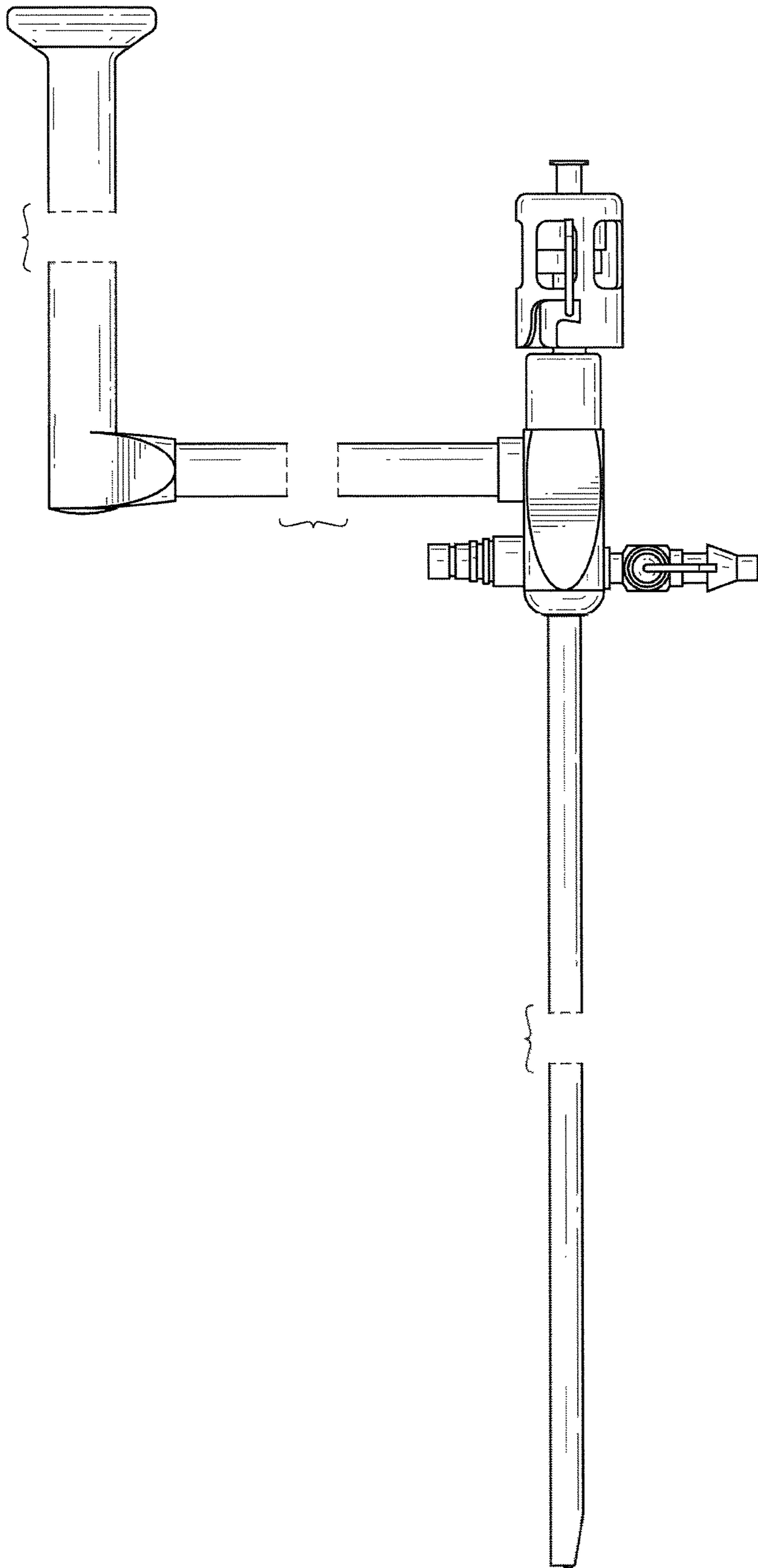


FIG.5

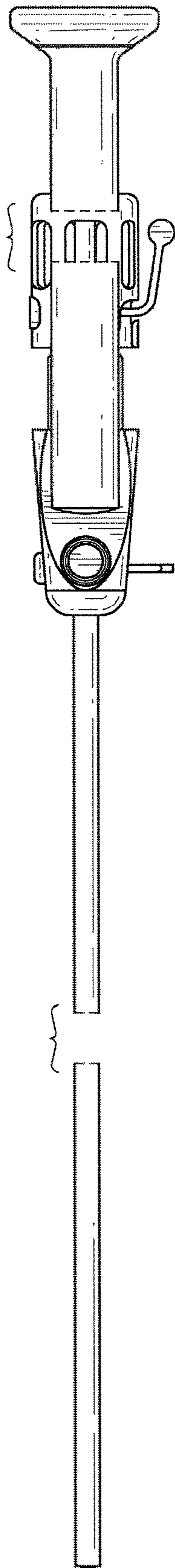


FIG.6

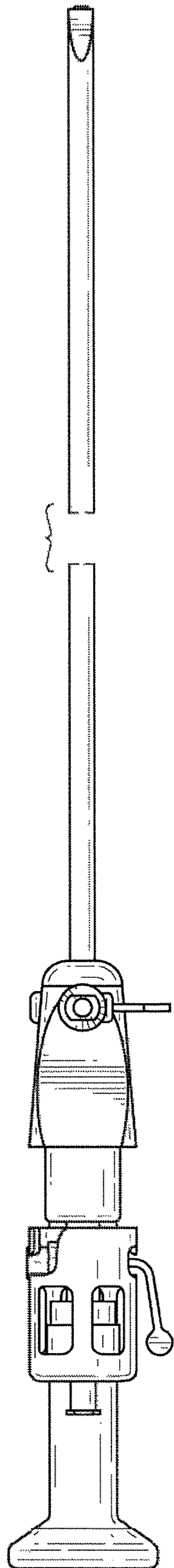


FIG.7