



US00D918387S

(12) **United States Design Patent** (10) **Patent No.:** **US D918,387 S**
Katballe et al. (45) **Date of Patent:** **** May 4, 2021**

(54) **MEDICAL DEVICE**

(71) Applicant: **Surgery-tech Aps**

(72) Inventors: **Niels Katballe, Lystrup (DK); Peter Heydorn Kristensen, Knebel (DK)**

(73) Assignee: **Surgery-Tech Aps, Aarhus (DK)**

(**) Term: **15 Years**

(21) Appl. No.: **29/682,439**

(22) Filed: **Mar. 5, 2019**

(51) **LOC (13) Cl.** **24-02**

(52) **U.S. Cl.**
USPC **D24/138**

(58) **Field of Classification Search**
USPC D24/138, 137, 133, 144, 145, 146
CPC A61B 1/00087; A61B 1/00098; A61B 1/0052; A61B 1/00101; A61B 1/00066; A61B 1/0057; A61B 1/0011; A61M 25/09
See application file for complete search history.

(56) **References Cited**

U.S. PATENT DOCUMENTS

5,261,416 A	11/1993	Taussig	
5,509,909 A	4/1996	Moy	
5,536,255 A	7/1996	Moss	
5,620,408 A	4/1997	Vennes	
D440,310 S *	4/2001	Laks	D24/112
6,270,476 B1	8/2001	Santojanni	
D451,601 S *	12/2001	Crawford	D24/112
D469,528 S *	1/2003	Niermann	D24/112
D469,529 S *	1/2003	Niermann	D24/112
D471,979 S *	3/2003	Wilkinson	D24/112
6,585,639 B1	7/2003	Kotmel et al.	
6,592,575 B1	7/2003	Kesten	
D491,266 S *	6/2004	Cindrich	D24/130
D547,867 S *	7/2007	Malis	D24/144
D572,819 S *	7/2008	Puhasmagi	D24/130

D612,047 S *	3/2010	Nagele	D24/138
D612,496 S *	3/2010	Bennison	D24/138
D612,497 S *	3/2010	Berci	D24/138
D628,692 S *	12/2010	Greenhalgh	D24/133
D652,923 S *	1/2012	Kennedy	D24/138
D657,870 S *	4/2012	Becker	D24/138
D669,174 S *	10/2012	Makowski	D24/138
D678,513 S *	3/2013	Baid	D24/112
D706,416 S *	6/2014	Mudd	D24/113
D708,741 S *	7/2014	Harrison	D24/133
D715,423 S *	10/2014	Rogers	D24/112
D718,441 S *	11/2014	Carus	D24/133

(Continued)

FOREIGN PATENT DOCUMENTS

CN	104510436 A	4/2015
EP	2959823 A1	12/2015

(Continued)

Primary Examiner — T Chase Nelson

Assistant Examiner — Kelly L Gross

(74) *Attorney, Agent, or Firm* — Renner, Otto, Boisselle & Sklar, LLP

(57) **CLAIM**

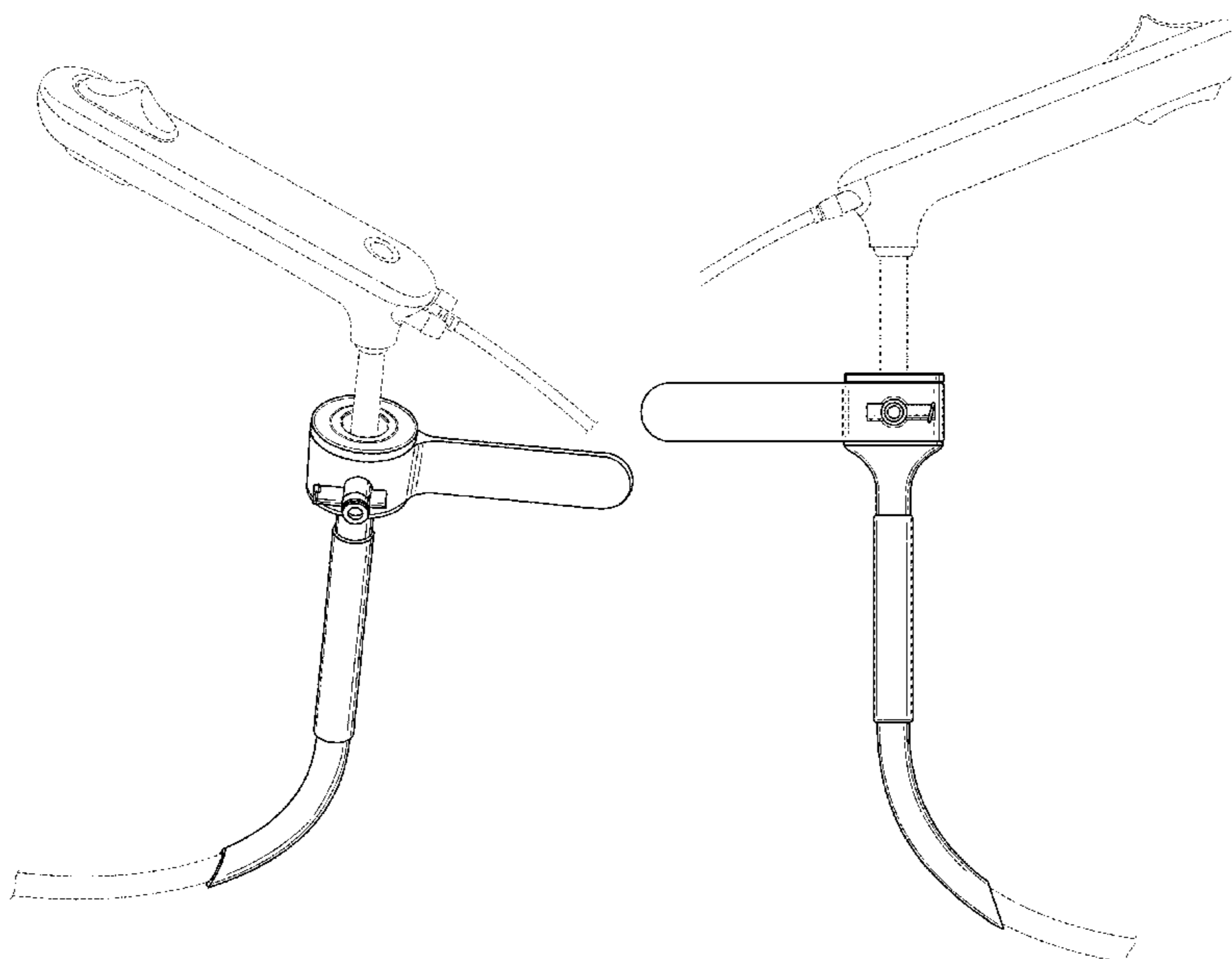
The ornamental design for a medical device, as shown and described.

DESCRIPTION

FIG. 1 is a front perspective view of the medical device showing an embodiment of our new design; FIG. 2 is a rear side elevation view thereof; FIG. 3 is a front side elevation view thereof; FIG. 4 is a right side elevation view thereof; FIG. 5 is a left side elevation view thereof; FIG. 6 is a top plan view thereof; and, FIG. 7 is a bottom plan view thereof.

The broken lines illustrate unclaimed portions of the article or its environment and form no part of the claimed design.

1 Claim, 7 Drawing Sheets



(56)

References Cited

U.S. PATENT DOCUMENTS

D718,442 S * 11/2014 Yoshida D24/138
 D718,443 S * 11/2014 Yoshida D24/138
 D718,444 S * 11/2014 Yoshida D24/138
 D718,445 S * 11/2014 Yoshida D24/138
 D718,446 S * 11/2014 Yoshida D24/138
 D718,447 S * 11/2014 Yoshida D24/138
 D720,070 S * 12/2014 Khalaj D24/144
 D726,905 S * 4/2015 Tegg D24/130
 D733,874 S * 7/2015 Yu D24/130
 D734,457 S * 7/2015 Yu D24/130
 D737,436 S * 8/2015 Lev D24/129
 D737,966 S * 9/2015 Meguro D24/138
 D748,788 S * 2/2016 Brannon D24/146
 D759,816 S * 6/2016 Ingram D24/137
 D762,303 S * 7/2016 Jayaraj D24/144
 D762,851 S * 8/2016 Tegg D24/130
 D794,184 S * 8/2017 Smith D24/129
 D802,763 S * 11/2017 Sweitzer D24/146
 D803,396 S * 11/2017 Oberkircher D24/133
 D810,273 S * 2/2018 Maier D24/108
 D815,738 S * 4/2018 Ye D24/144
 D816,830 S * 5/2018 Dziak A61J 15/0042
 D819,802 S * 6/2018 Burkholz D24/112
 D820,436 S * 6/2018 Kheradpir D24/112
 D823,463 S * 7/2018 Shaw D24/127
 D829,898 S * 10/2018 Schaefer D24/133
 D829,899 S * 10/2018 Wallis D24/136
 D831,205 S * 10/2018 Fieber D24/133
 D836,194 S * 12/2018 Cindrich D24/141
 D837,368 S * 1/2019 Burkholz D24/129
 D837,975 S * 1/2019 Protasiewicz D24/113
 D842,992 S * 3/2019 Osada D24/138
 D844,780 S * 4/2019 White D24/129
 D852,357 S * 6/2019 Osada D24/138
 D852,358 S * 6/2019 Matuschek D24/138
 D855,798 S * 8/2019 Amano D24/127
 D860,441 S * 9/2019 Spycher D24/133
 D860,450 S * 9/2019 Asfora D24/140
 D870,887 S * 12/2019 Carter D24/144
 D873,413 S * 1/2020 Ohno D24/127
 D880,703 S * 4/2020 Emery D24/187
 D889,669 S * 7/2020 Cheng D24/186
 D893,018 S * 8/2020 Fuentes-Ortega D24/112
 D898,910 S * 10/2020 Hansen D24/137
 D900,308 S * 10/2020 Burkholz D24/112

D900,325 S * 10/2020 Emery D24/187
 D901,020 S * 11/2020 Emery D24/187
 D902,386 S * 11/2020 Guala D24/112
 D902,401 S * 11/2020 Ohno D24/138
 D903,446 S * 12/2020 Wnuk D8/14.1
 D904,608 S * 12/2020 Attinger D24/138
 D905,241 S * 12/2020 Ohno D24/138
 D905,854 S * 12/2020 Kao D24/144
 D906,775 S * 1/2021 Losness D8/14
 D907,215 S * 1/2021 Hodgson D24/187
 D908,866 S * 1/2021 Fuentes-Ortega D24/112
 D909,575 S * 2/2021 Ohno D24/138
 2002/0032432 A1 3/2002 Nash
 2002/0052576 A1 5/2002 Massengale
 2005/0021004 A1 1/2005 Cully
 2005/0038406 A1 2/2005 Epstein
 2005/0143690 A1 6/2005 High
 2006/0009801 A1 1/2006 McGurk
 2006/0063973 A1 3/2006 Makower et al.
 2006/0184188 A1 8/2006 Li et al.
 2007/0293727 A1 12/2007 Goldfarb
 2008/0015625 A1 1/2008 Ventura et al.
 2008/0249356 A1 10/2008 Motai
 2009/0281376 A1 11/2009 Acosta et al.
 2009/0287045 A1 11/2009 Mitelberg
 2009/0306471 A1 12/2009 Gettman
 2010/0130821 A1 5/2010 Rosemurgy
 2011/0082456 A1 4/2011 Welt et al.
 2011/0092963 A1 4/2011 Castro
 2012/0018011 A1 1/2012 Koga
 2012/0197084 A1 8/2012 Drach et al.
 2014/0005480 A1 1/2014 Wagner et al.
 2014/0088371 A1 3/2014 Vayser et al.
 2016/0367119 A1 12/2016 Ouyang et al.
 2017/0055811 A1 3/2017 Germain et al.
 2018/0008126 A1 1/2018 Arai
 2018/0092635 A1 4/2018 Csiky
 2018/0140176 A1 5/2018 Sinha

FOREIGN PATENT DOCUMENTS

JP 08052220 A 2/1996
 WO 1997/010749 A1 3/1997
 WO 2009/029655 A1 3/2009
 WO 2009/098445 A8 8/2009
 WO 2018/003925 A1 1/2018
 WO 2018/008433 A1 1/2018

* cited by examiner

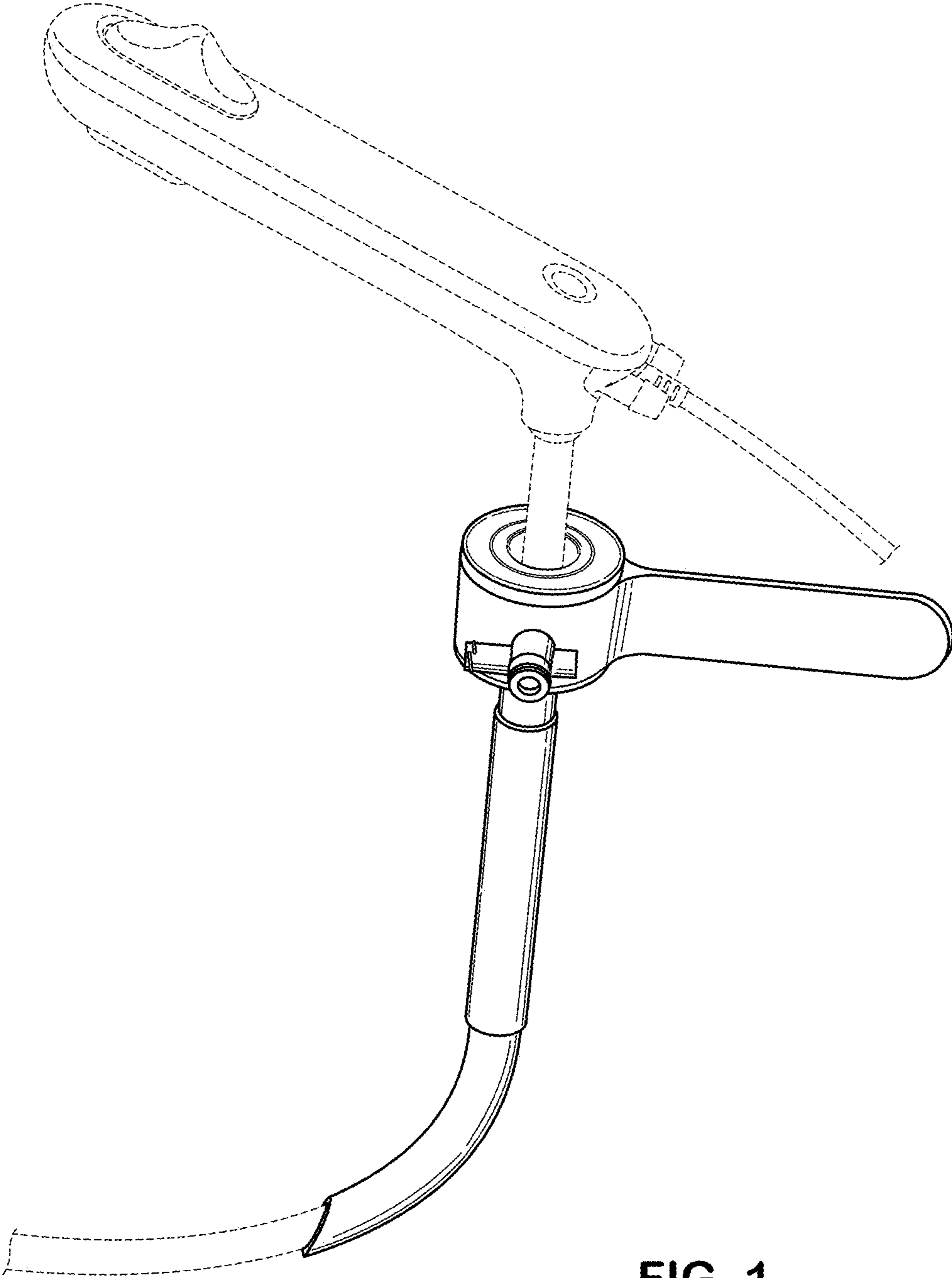


FIG. 1

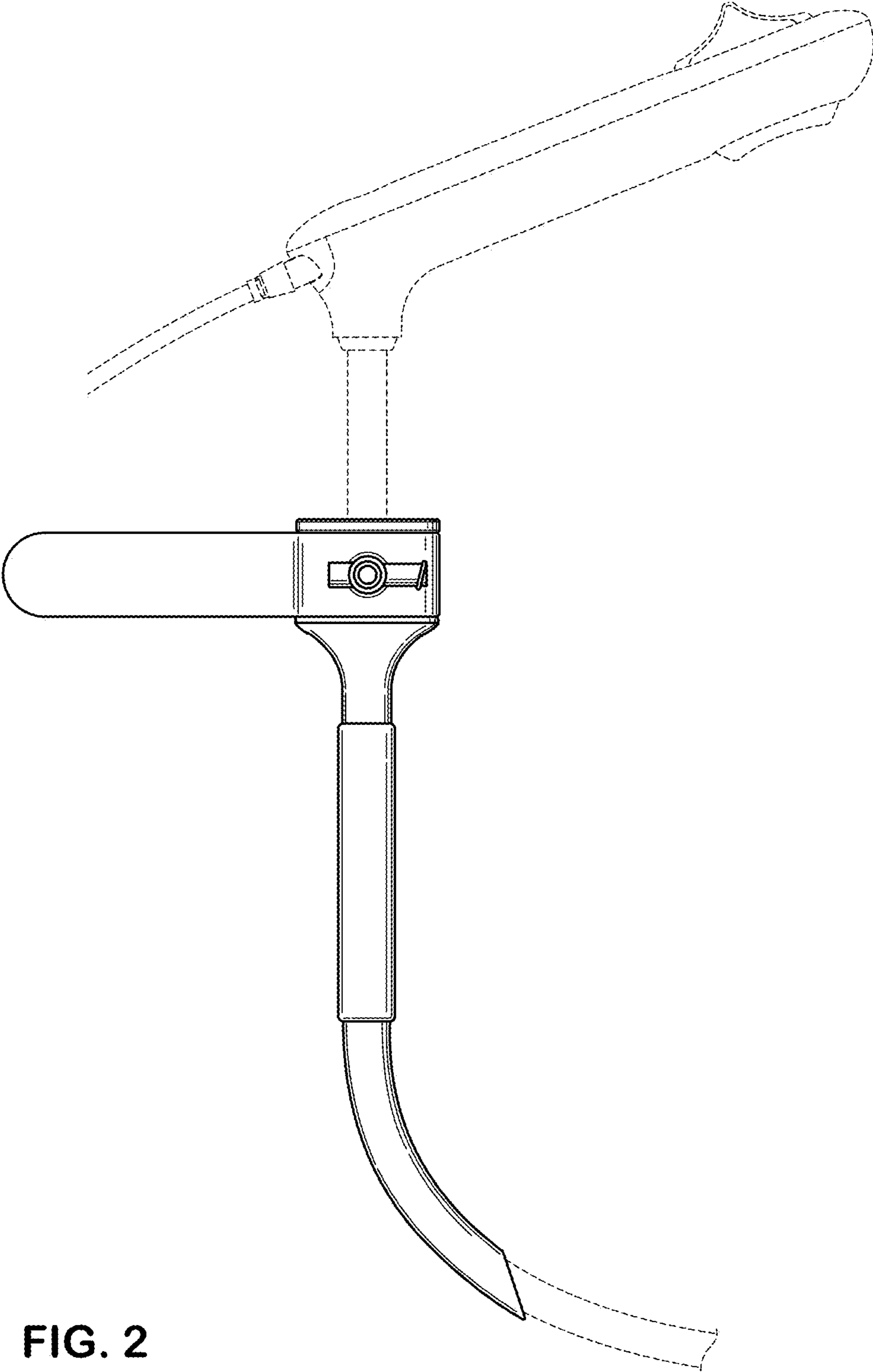


FIG. 2

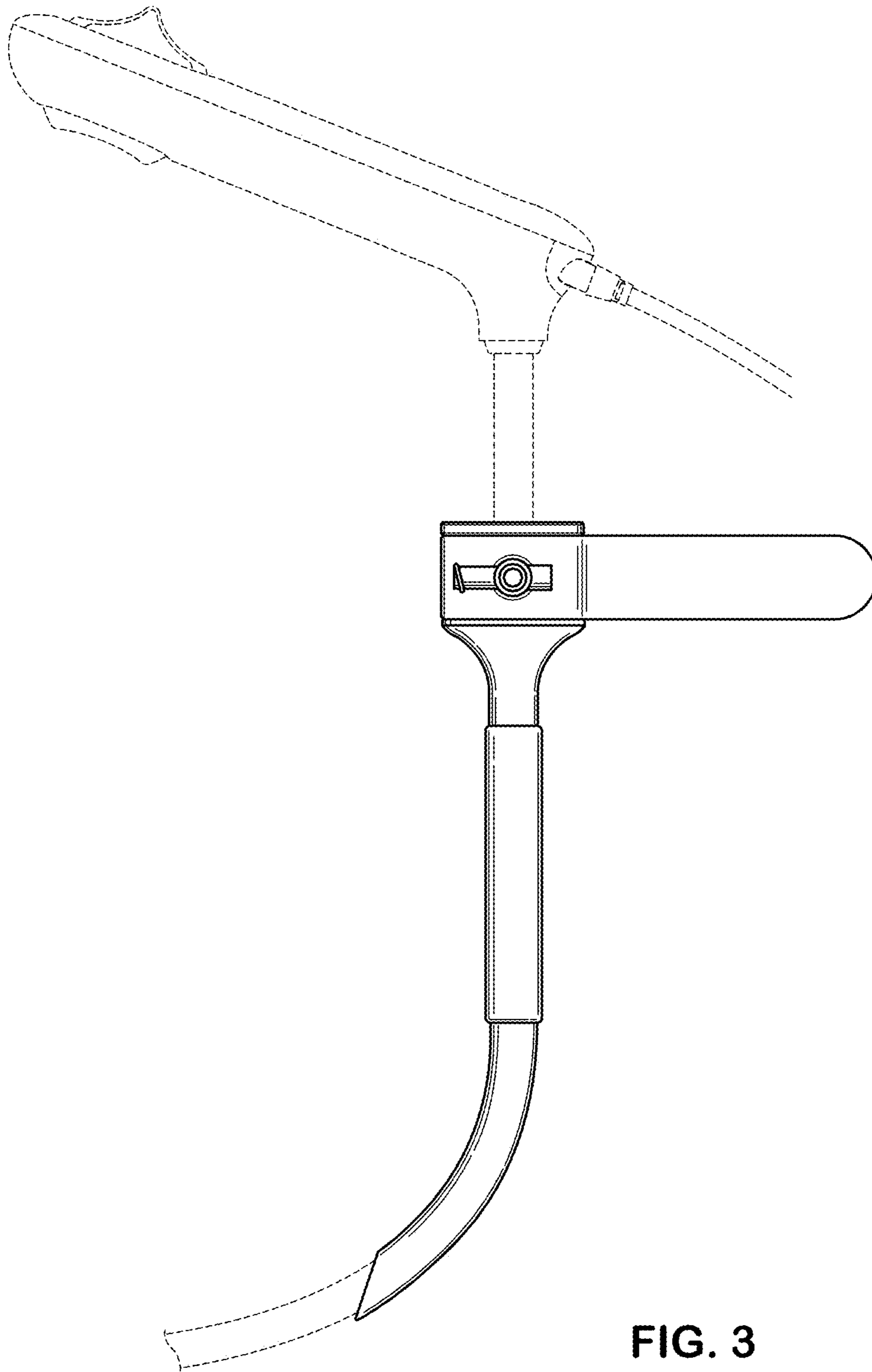


FIG. 3

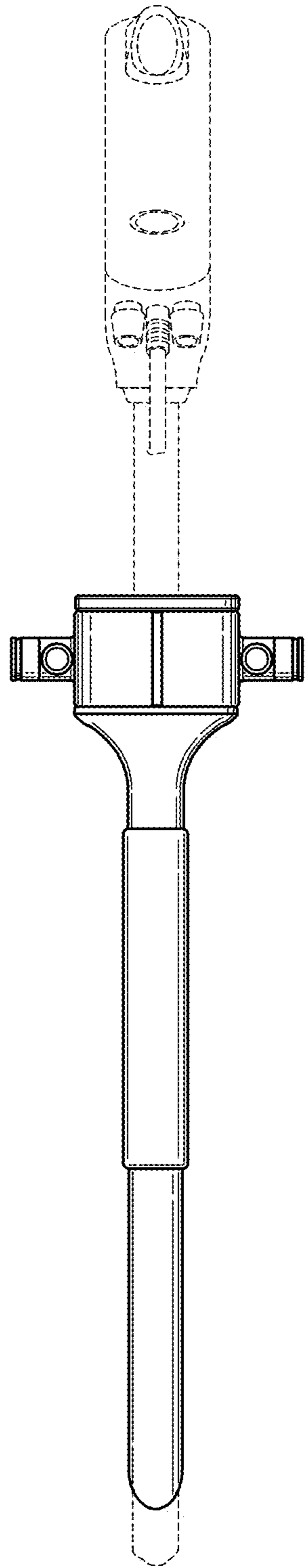


FIG. 4

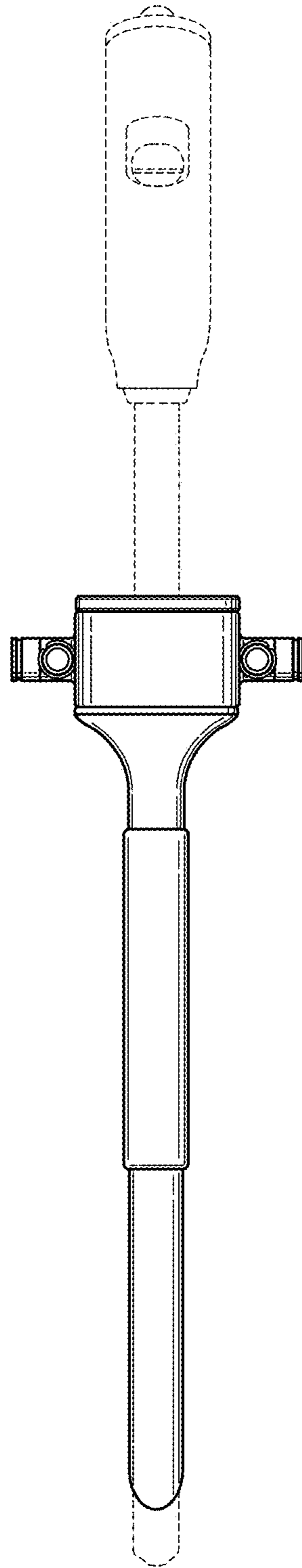


FIG. 5

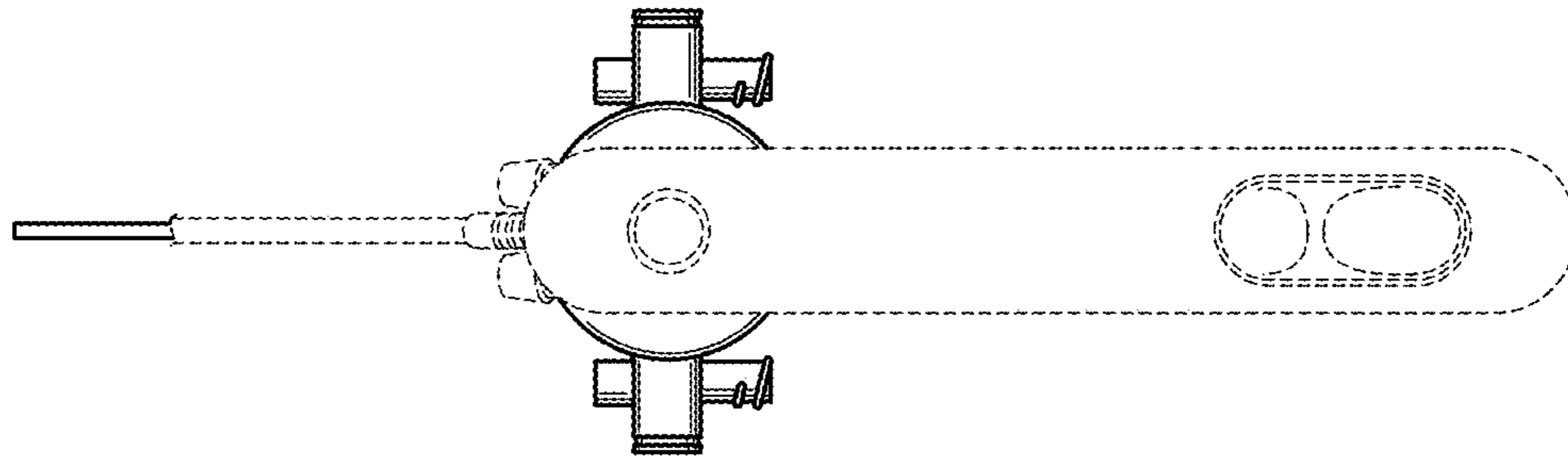


FIG. 6

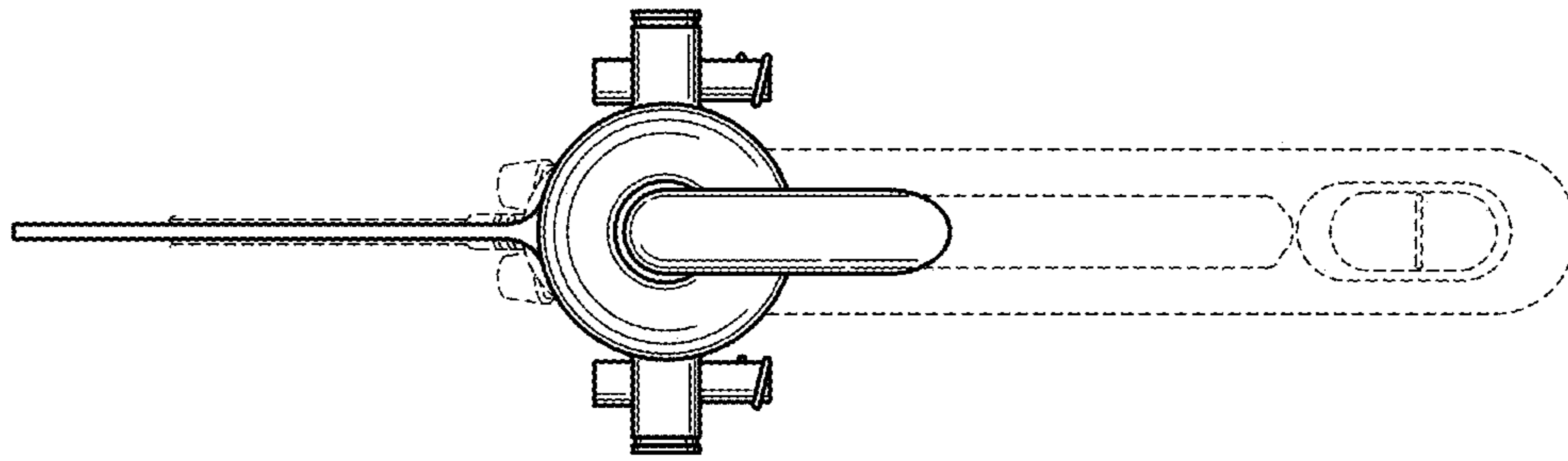


FIG. 7