

US00D918386S

(12) **United States Design Patent** (10) **Patent No.:** **US D918,386 S**
Nohara (45) **Date of Patent:** **** May 4, 2021**

(54) **DISPLAY FOR INDUSTRIAL ENDOSCOPE**

(71) Applicant: **OLYMPUS CORPORATION**, Tokyo (JP)

(72) Inventor: **Takeshi Nohara**, Hachioji (JP)

(73) Assignee: **OLYMPUS CORPORATION**, Tokyo (JP)

(**) Term: **15 Years**

(21) Appl. No.: **29/649,267**

(22) Filed: **May 29, 2018**

(30) **Foreign Application Priority Data**

Nov. 29, 2017 (JP) 2017-026515

(51) **LOC (13) Cl.** **24-02**

(52) **U.S. Cl.**
USPC **D24/138**

(58) **Field of Classification Search**
USPC D24/138, 137, 147, 144, 108, 113, 127,
D24/133; D14/203.1
CPC . G02B 23/2476; G02B 23/2484; G02B 23/16
See application file for complete search history.

(56) **References Cited**

U.S. PATENT DOCUMENTS

D598,097 S * 8/2009 Amano D24/138
D627,883 S * 11/2010 Hayashi D24/138
D768,861 S * 10/2016 Barak D24/176

D780,917 S * 3/2017 Meguro D24/138
D782,673 S * 3/2017 Meguro D24/138
D894,903 S * 9/2020 Endo D14/428
D909,384 S * 2/2021 Malik D14/428
2008/0207998 A1* 8/2008 Maruyama G02B 23/2476
600/114
2012/0226099 A1* 9/2012 Yamamoto A61B 1/00048
600/102

* cited by examiner

Primary Examiner — Eliza Z Bennett-Hattan

(74) *Attorney, Agent, or Firm* — Scully, Scott, Murphy & Presser, P.C.

(57) **CLAIM**

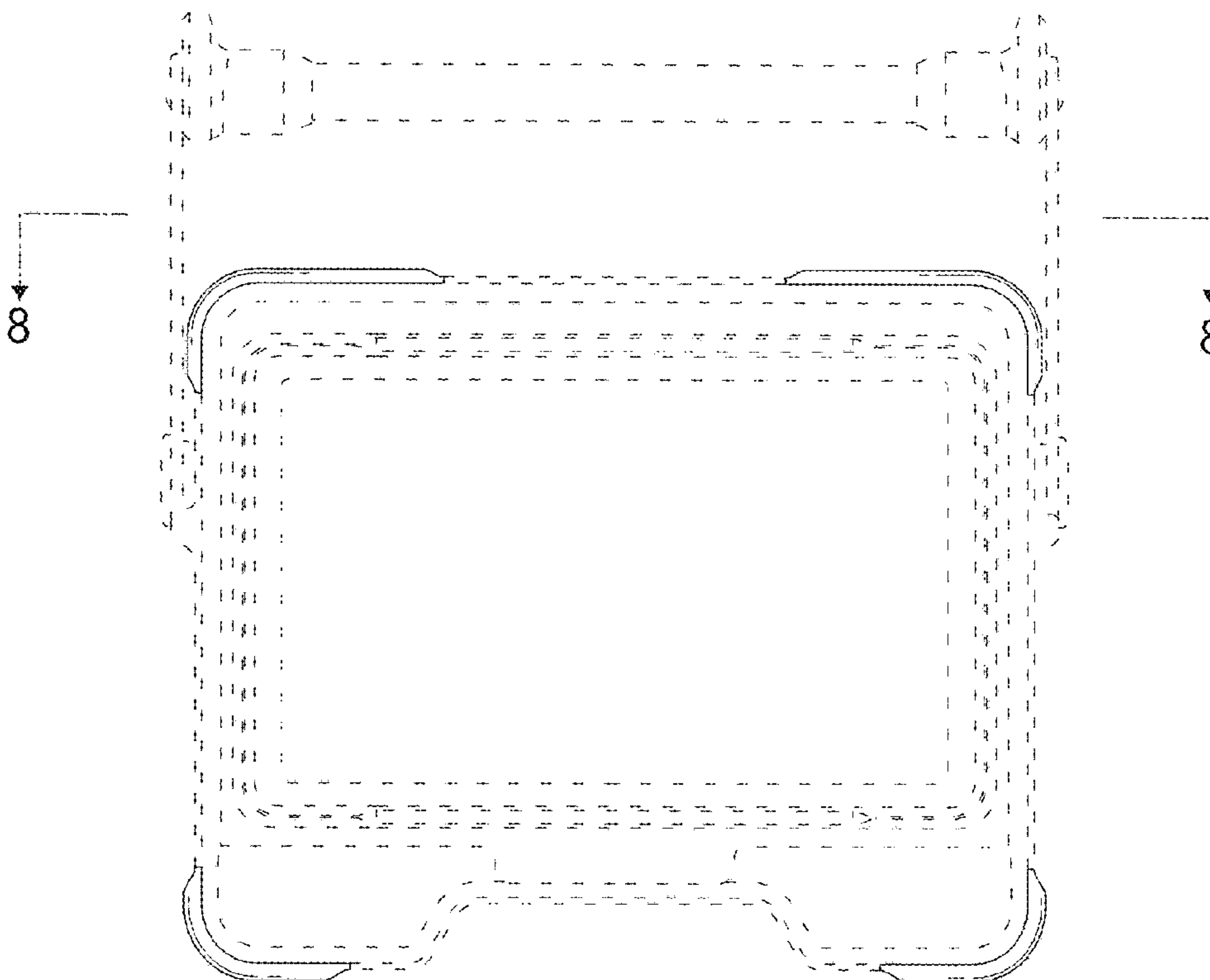
The ornamental design for a display for industrial endoscope, as shown and described.

DESCRIPTION

FIG. 1 is a perspective view of a display for industrial endoscope showing my new design;
FIG. 2 is a front view thereof;
FIG. 3 is a rear view thereof;
FIG. 4 is a top view thereof;
FIG. 5 is a bottom view thereof;
FIG. 6 is a right side view thereof;
FIG. 7 is a left side view thereof; and,
FIG. 8 is a sectional view thereof taken along line 8-8 in FIG. 2.

The broken lines shown in the drawings illustrate environmental structure and form no part of the claimed design.

1 Claim, 8 Drawing Sheets



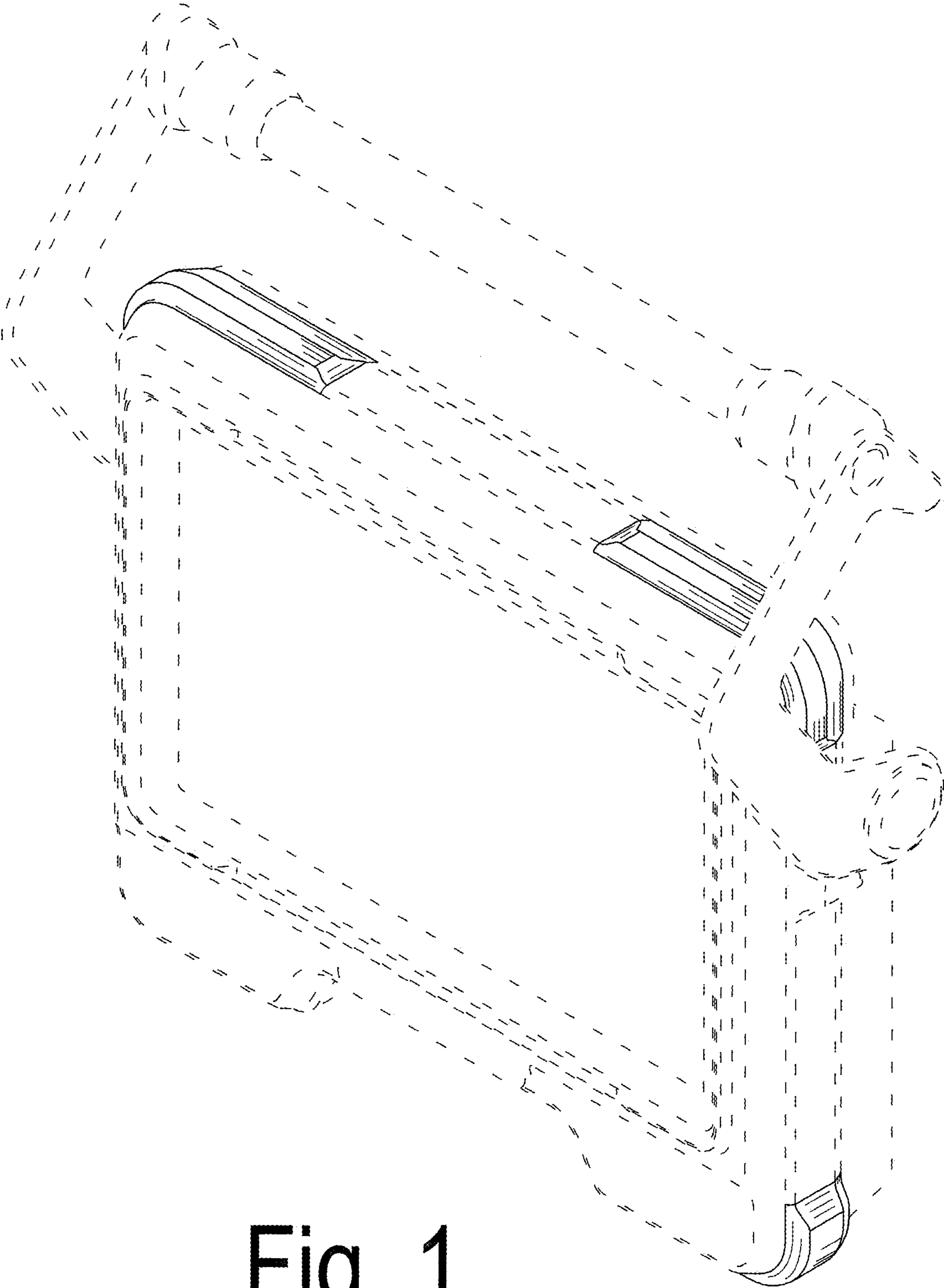


Fig. 1

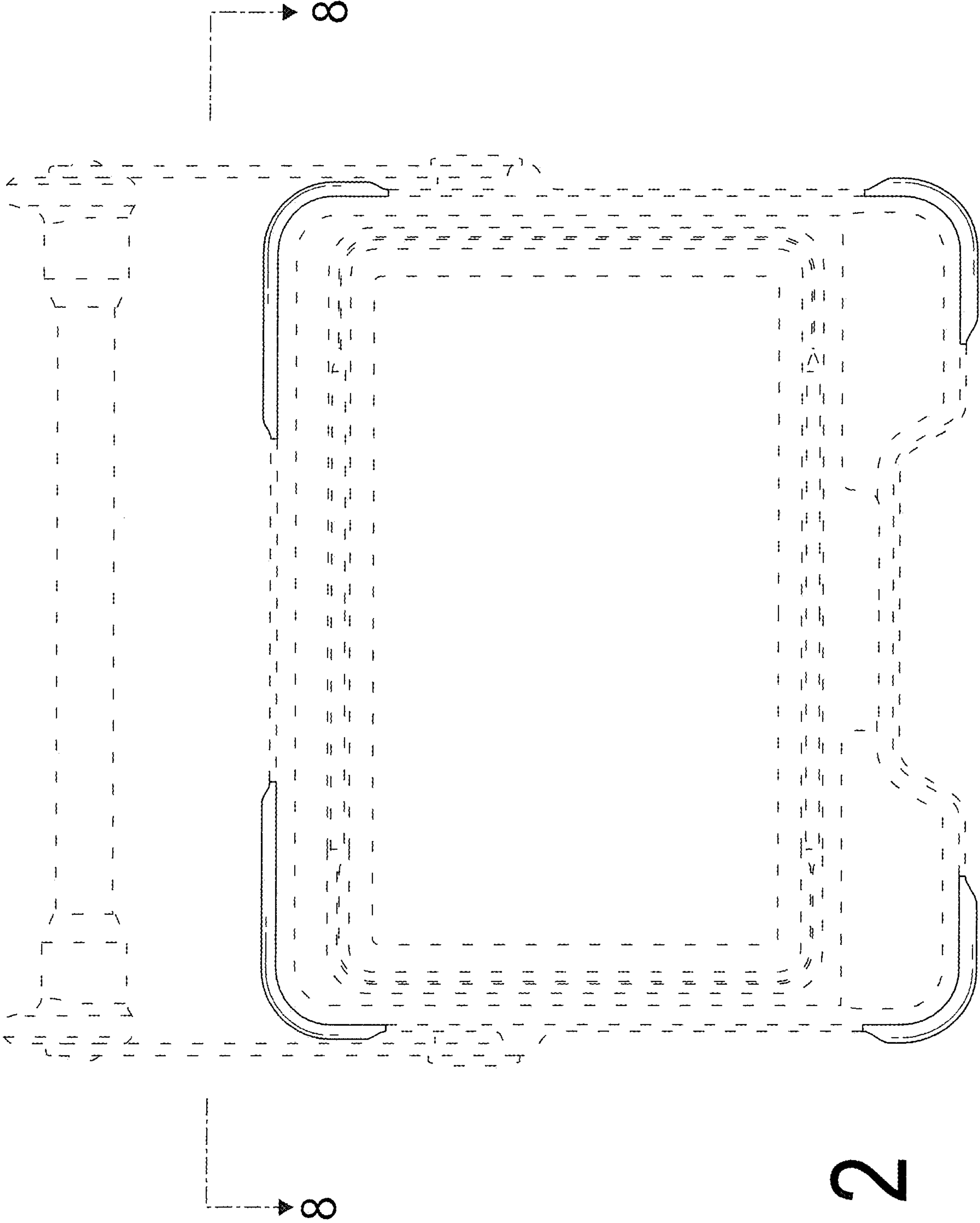


Fig. 2

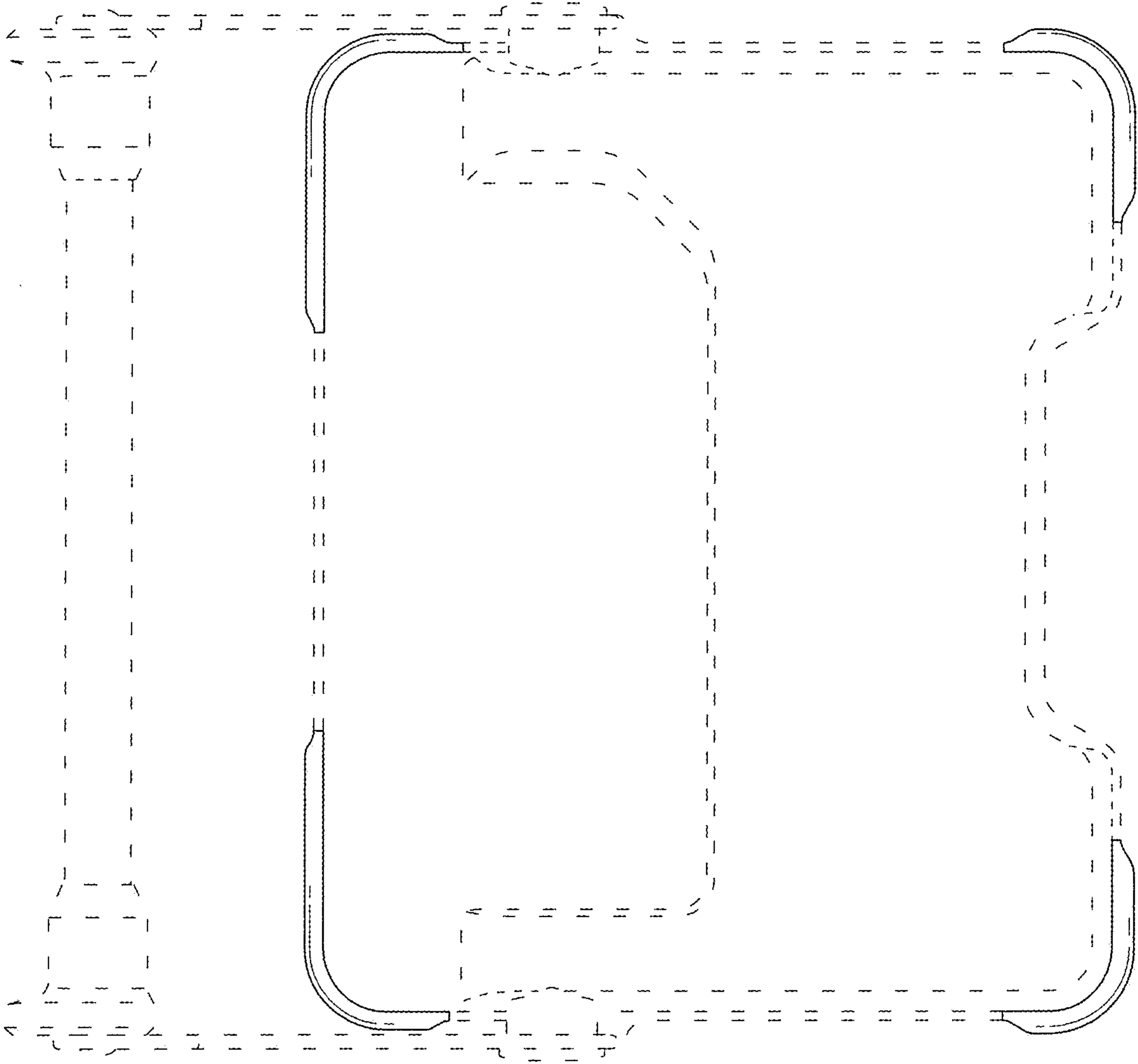


Fig. 3

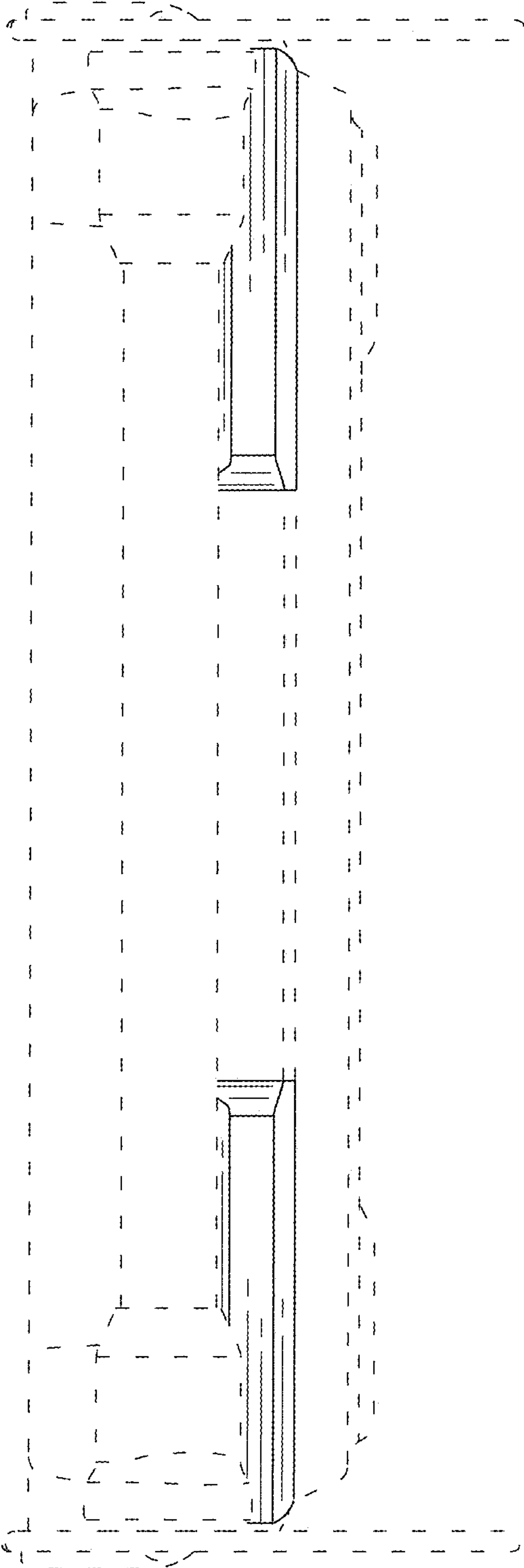


Fig. 4

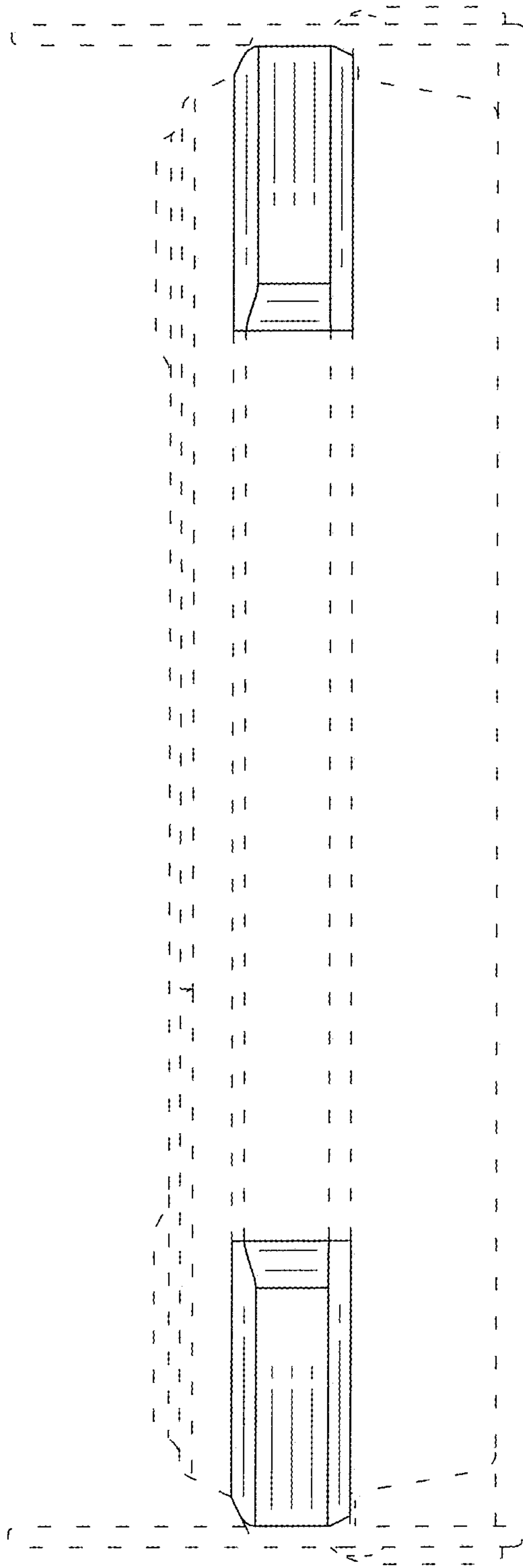


Fig. 5

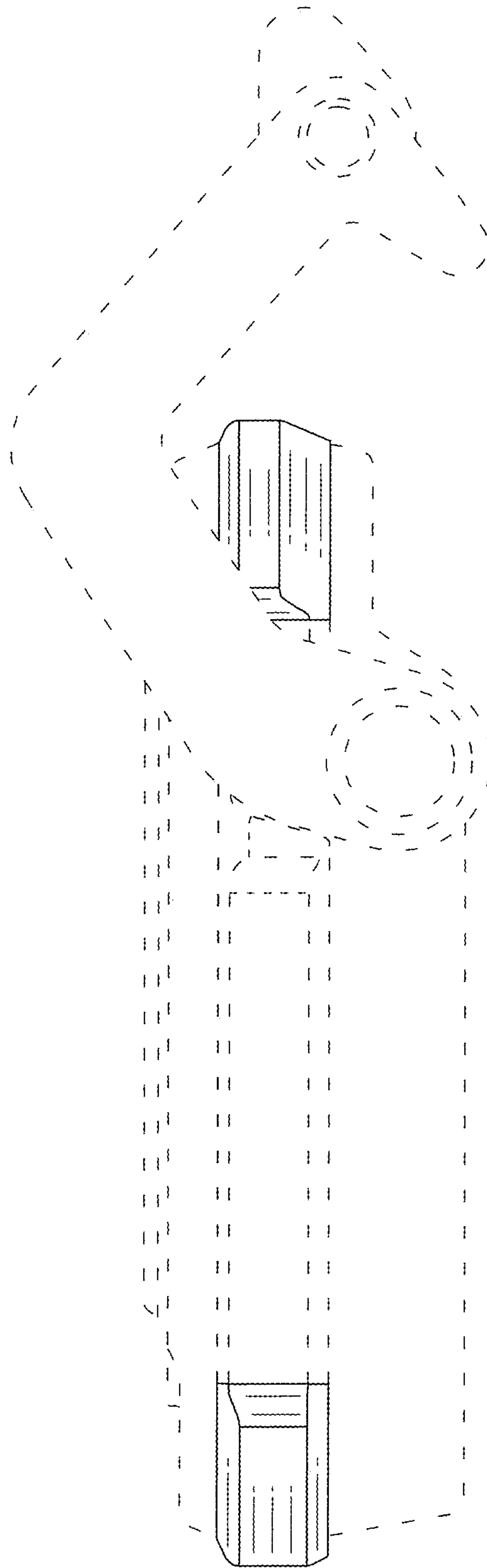


Fig. 6

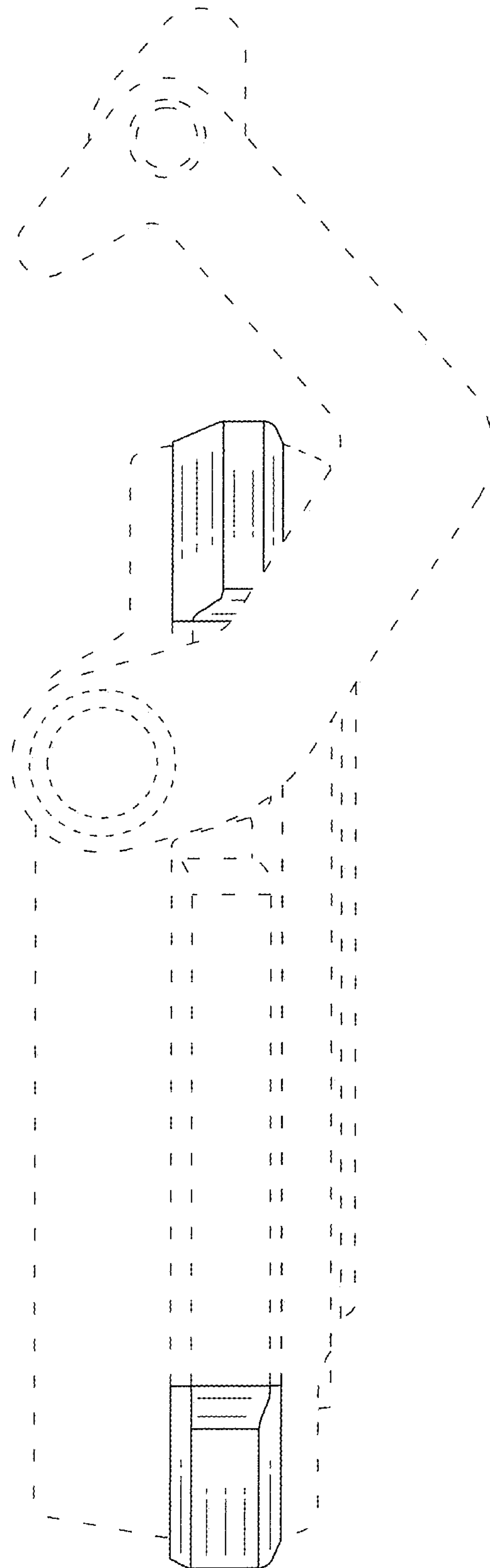


Fig. 7

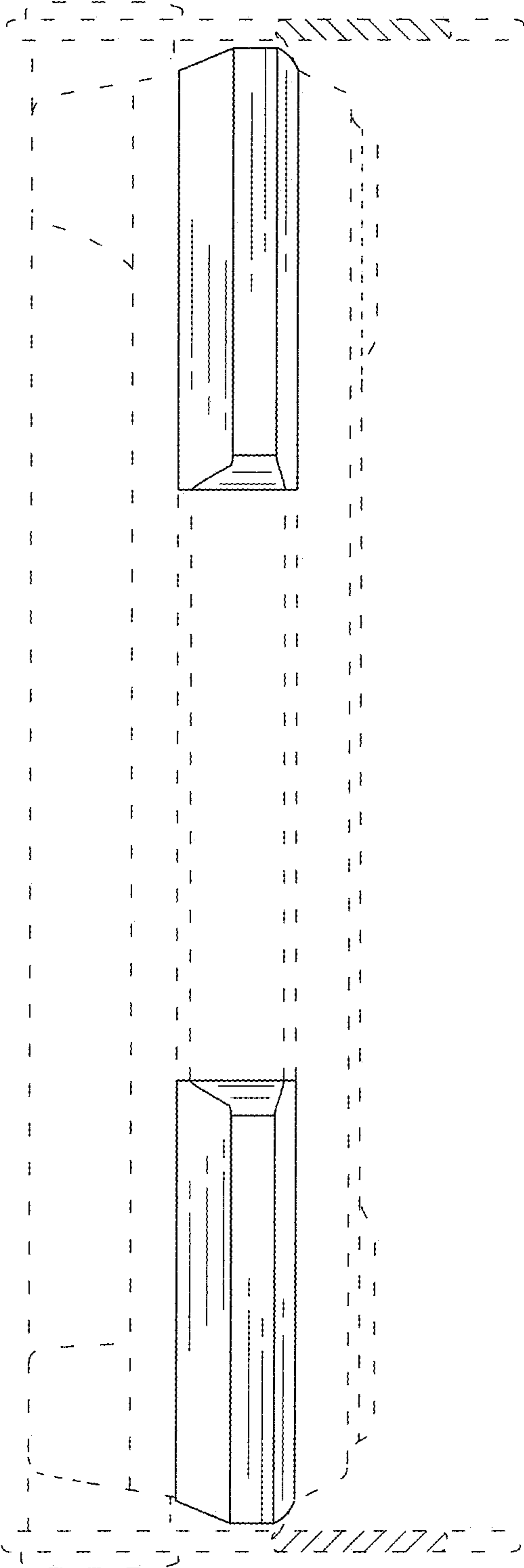


Fig. 8