



US00D918382S

(12) **United States Design Patent** (10) **Patent No.:** **US D918,382 S**
Naughton et al. (45) **Date of Patent:** **** May 4, 2021**

(54) **URINARY CATHETER**
(71) Applicant: **Hollister Incorporated**, Libertyville, IL (US)
(72) Inventors: **Vincent Naughton**, Sligo (IE); **Scott J. Pupino**, Oak Park, IL (US)
(73) Assignee: **Hollister Incorporated**, Libertyville, IL (US)

D653,335 S 1/2012 Kampa et al.
D653,337 S 1/2012 Kampa et al.
D655,412 S 3/2012 Luk et al.
8,298,213 B2 10/2012 Singh
D675,318 S 1/2013 Luk et al.
D678,522 S 3/2013 Gustavsson
8,398,615 B2 3/2013 Torstensen et al.
8,491,533 B2* 7/2013 Parihar A61B 17/34
604/167.03

(Continued)

FOREIGN PATENT DOCUMENTS

EM 000411301-0001 S 11/2005
EM 000556691-0004 S 8/2008

(Continued)

OTHER PUBLICATIONS

Examination Report Canadian Application No. 185866, dated Apr. 10, 2020.

Primary Examiner — David G Muller
(74) *Attorney, Agent, or Firm* — Cook Alex Ltd.

(57) **CLAIM**

The ornamental design for a urinary catheter, as shown and described.

DESCRIPTION

FIG. 1 is a perspective view of a urinary catheter, showing a first embodiment of the new design.
FIG. 2 is a right side elevational view thereof.
FIG. 3 is a left side elevational view thereof.
FIG. 4 is a front elevational view thereof.
FIG. 5 is a rear elevational view thereof.
FIG. 6 is a bottom plan view thereof; and,
FIG. 7 is a top plan view of the thereof.
The broken lines showing parts of the drawings are included for the purpose of depicting use and environment, and form no part of the claimed design.

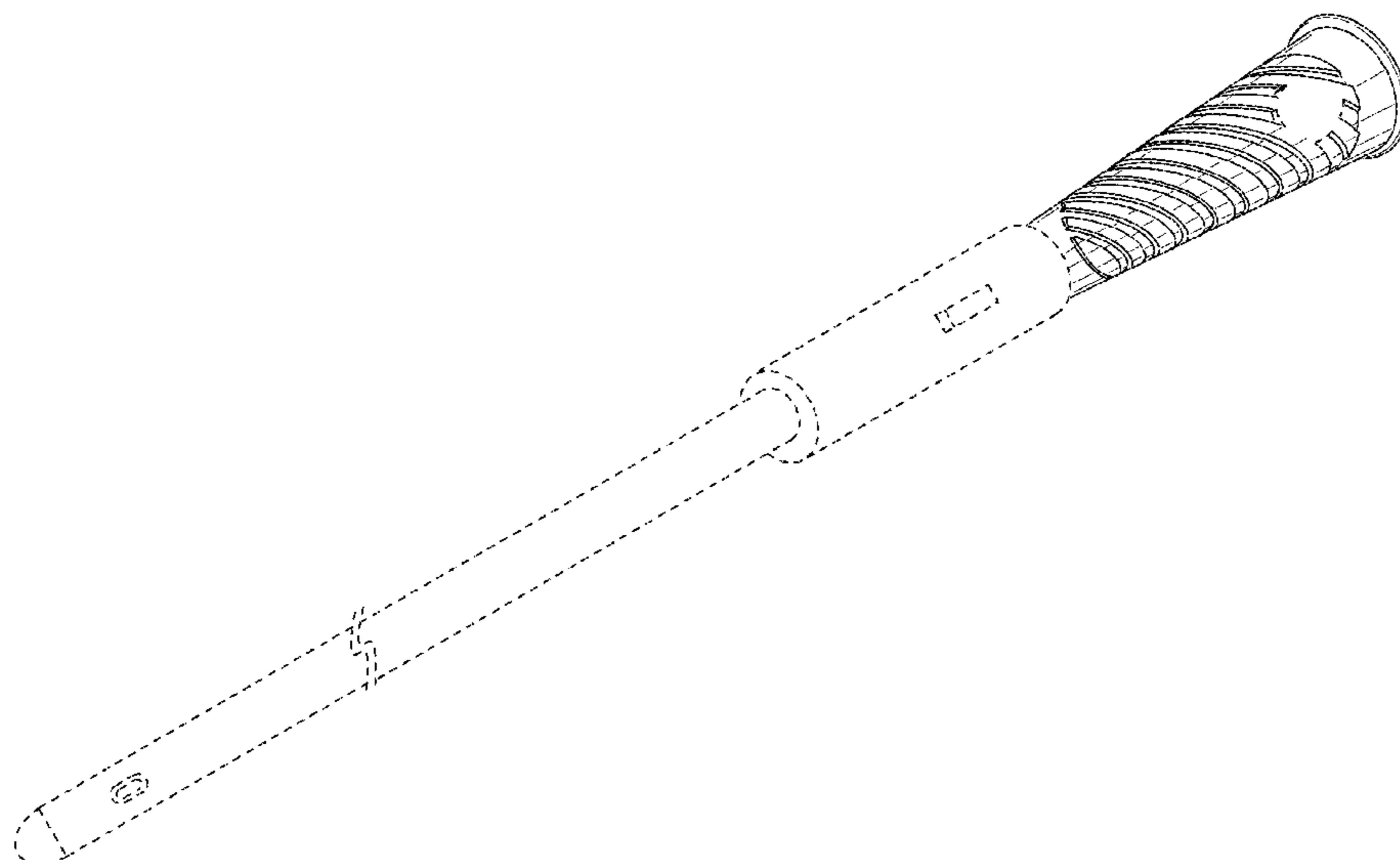
1 Claim, 2 Drawing Sheets

(**) Term: **15 Years**
(21) Appl. No.: **29/657,907**
(22) Filed: **Jul. 26, 2018**
(51) **LOC (13) Cl.** **24-02**
(52) **U.S. Cl.**
USPC **D24/112**
(58) **Field of Classification Search**
USPC D24/112-114, 108, 130, 127, 133, 186;
606/181, 185; 604/264, 523-528, 272,
604/164.01-164.11, 187, 93.01; 600/101,
600/139, 143; 128/200.24, 207.14,
128/207.15
CPC .. A61M 25/065; A61M 5/42; A61M 25/0612;
A61M 25/00; A61M 39/00; A61M 27/00;
A61M 25/0043; A61M 25/0067; A61M
25/0097; A61F 2/958
See application file for complete search history.

(56) **References Cited**

U.S. PATENT DOCUMENTS

D413,382 S * 8/1999 Maissami D24/119
6,613,014 B1 9/2003 Chi
7,601,158 B2 10/2009 House
D612,044 S 3/2010 Scheibe
D626,648 S 11/2010 Ahlgren
D630,733 S 1/2011 Ahlgren
7,867,220 B2 1/2011 Tanghoj
7,938,838 B2 5/2011 House
D640,785 S 6/2011 Lee



(56)

References Cited

FOREIGN PATENT DOCUMENTS

U.S. PATENT DOCUMENTS

8,506,576 B2 8/2013 Sutoh et al.
 8,771,286 B2 7/2014 House
 D710,495 S 8/2014 Wu et al.
 D731,641 S 6/2015 Du
 D732,160 S 6/2015 Du
 9,192,740 B2 11/2015 Frojd
 D751,703 S 3/2016 Corydon et al.
 D751,704 S 3/2016 Corydon et al.
 9,345,855 B2 5/2016 Young
 D776,259 S * 1/2017 Eldredge D24/112
 D776,260 S 1/2017 Eldredge
 D779,059 S * 2/2017 Nino D24/133
 9,707,375 B2 7/2017 Conway et al.
 D798,446 S * 9/2017 Nino D24/133
 9,839,768 B2 * 12/2017 Ibragimov A61M 25/0606
 9,872,971 B2 * 1/2018 Blanchard A61M 25/0097
 D810,282 S * 2/2018 Ratjen D24/113
 9,884,167 B2 2/2018 Gustavsson
 D815,737 S * 4/2018 Bergstrom D24/130
 D816,217 S 4/2018 Naughton et al.
 9,937,334 B2 4/2018 Frojd et al.
 D818,118 S 5/2018 Kelly et al.
 D837,974 S * 1/2019 Hannon D24/112
 D846,116 S * 4/2019 Naughton D24/130
 D846,736 S * 4/2019 Naughton D24/130
 2004/0002678 A1 1/2004 Chi
 2005/0096608 A1 5/2005 Mannschedel et al.
 2005/0096688 A1 5/2005 Slazas
 2008/0262475 A1 10/2008 Preinitz
 2011/0137296 A1 6/2011 Tanghoj
 2012/0172848 A1 7/2012 Gustavsson et al.
 2013/0231641 A1 9/2013 Gustavsson
 2014/0066904 A1 3/2014 Young
 2014/0324027 A1 10/2014 House
 2015/0112314 A1 4/2015 Gustavsson et al.
 2017/0304590 A1 10/2017 Conway et al.
 2018/0021481 A1 1/2018 Yin et al.
 2018/0104444 A1 4/2018 Yin et al.

EM 001698333-0001 S 4/2010
 EM 001700857-0001 S 4/2010
 EM 001029946-0001 S 1/2011
 EM 001029946-0002 S 1/2011
 EM 001250054-0001 S 3/2013
 EM 001885237-0001 S 1/2014
 EM 001885237-0002 S 1/2014
 EM 002568261-0002 S 11/2014
 EM 002929885-0001 S 1/2016
 EM 003396639-0001 S 10/2016
 EM 003842525-0001 S 6/2017
 EM 003842525-0003 S 6/2017
 EM 002901678-0005 S 1/2018
 EM 002901678-0006 S 1/2018
 EM 002901678-0007 S 1/2018
 EM 002901678-0008 S 1/2018
 EM 002901678-0009 S 1/2018
 EM 002901678-0010 S 1/2018
 EM 002901678-0011 S 1/2018
 EM 002901678-0012 S 1/2018
 EM 003369529-0001 S 1/2018
 EP 2043721 A1 4/2009
 EP 1522272 B1 12/2009
 EP 1808195 B1 3/2010
 EP 2295108 A1 3/2011
 EP 1615690 B1 6/2011
 EP 2471569 A1 7/2012
 EP 2500056 A2 9/2012
 EP 2703035 A1 3/2014
 EP 2703036 A2 3/2014
 EP 2142114 B1 10/2015
 EP 2674185 B1 11/2016
 EP 3169378 A1 5/2017
 EP 2292294 B1 8/2017
 EP 2636421 B1 8/2017
 EP 2452640 B1 11/2017
 EP 3272383 A1 1/2018

* cited by examiner

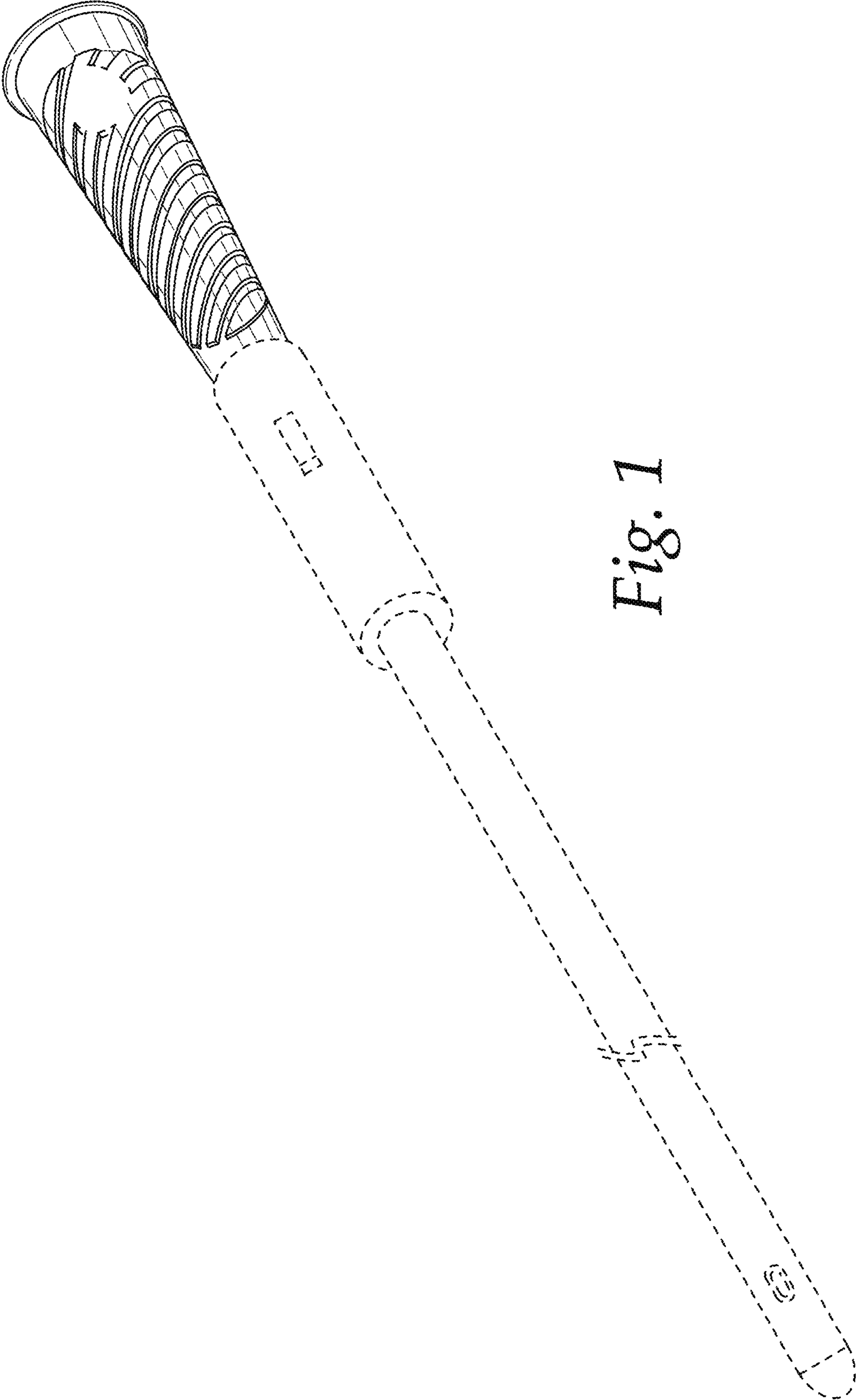


Fig. 1

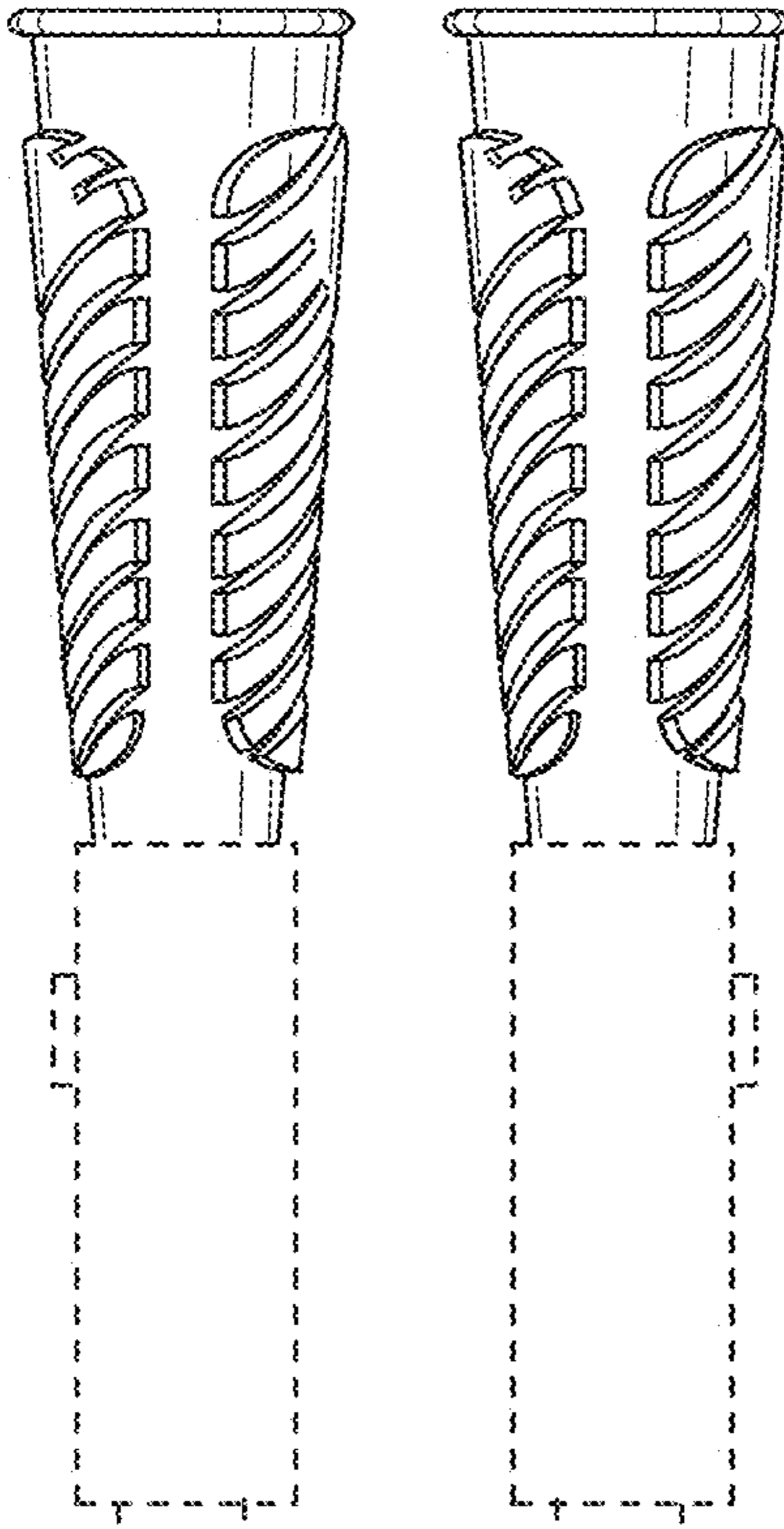


Fig. 2

Fig. 3

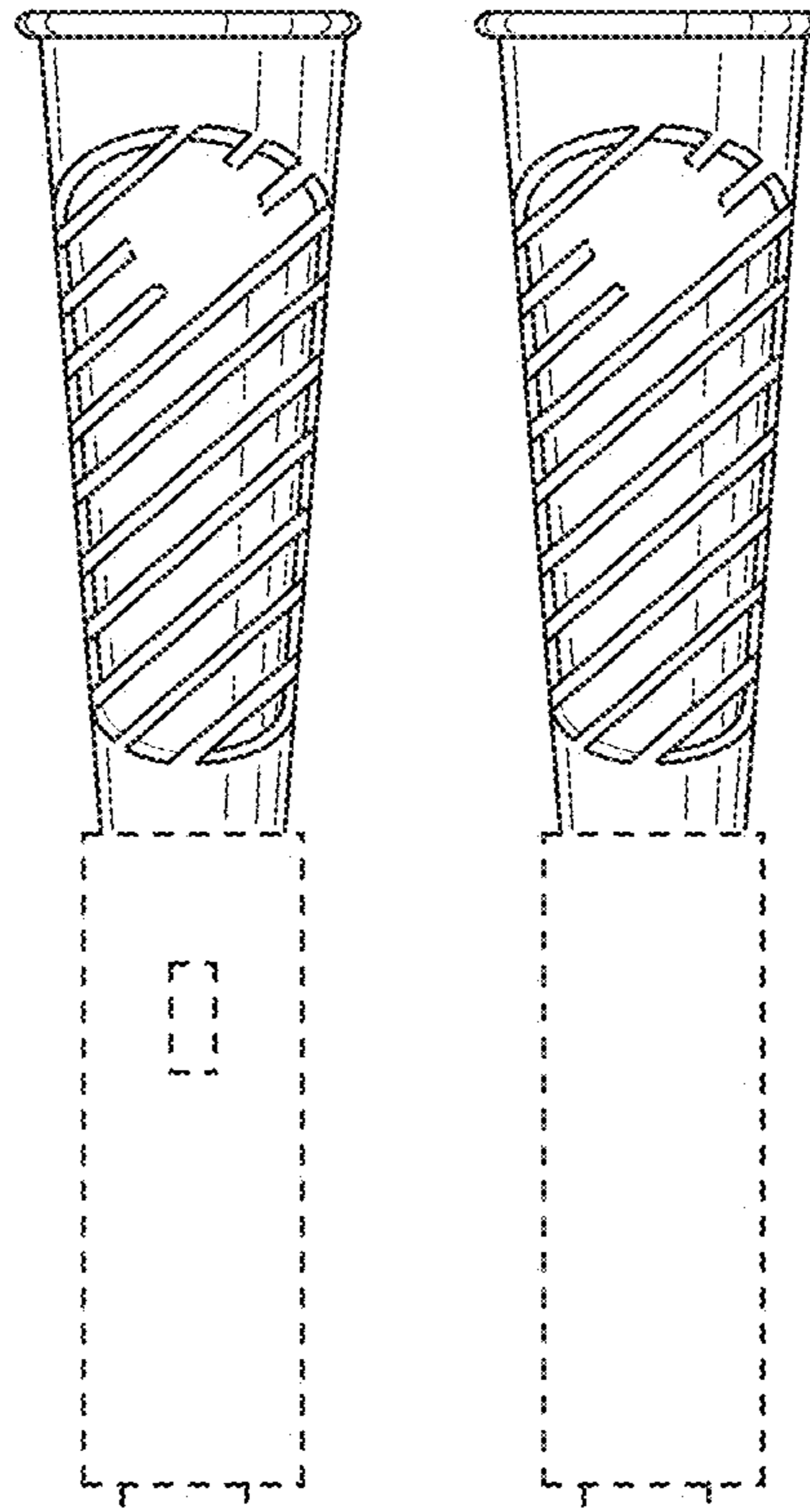


Fig. 4

Fig. 5

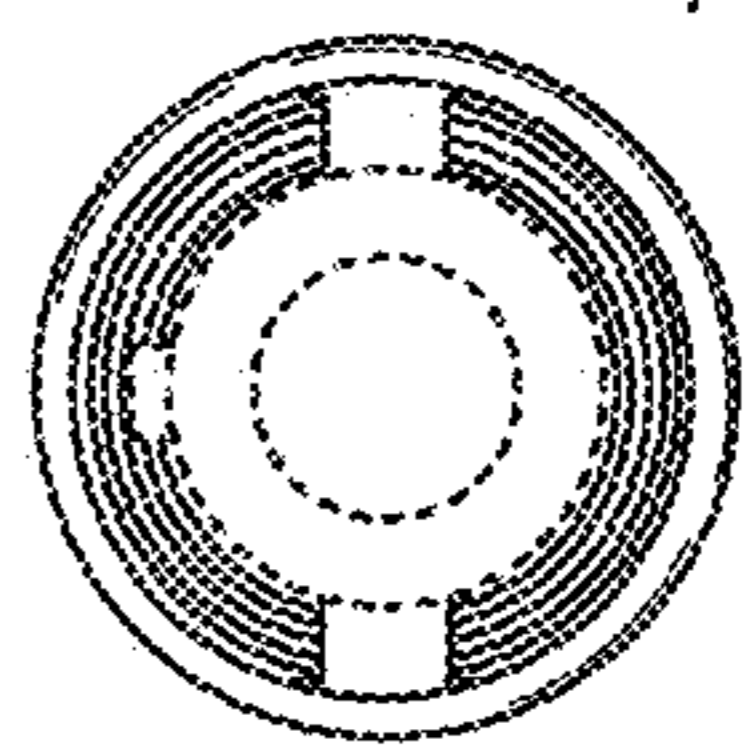
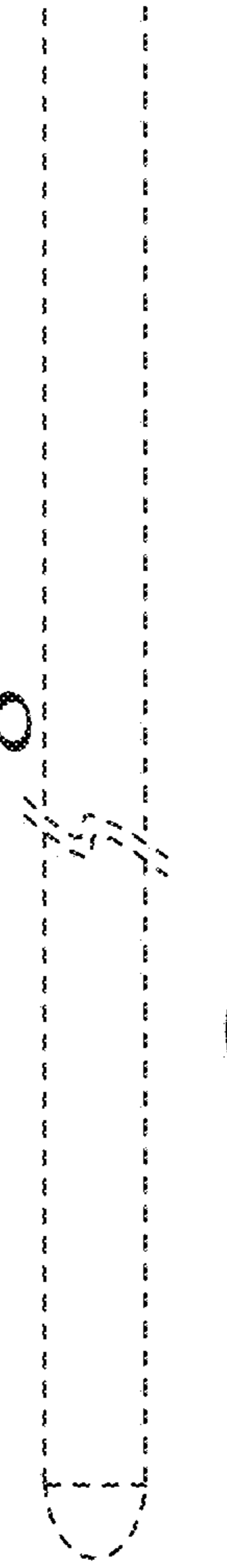
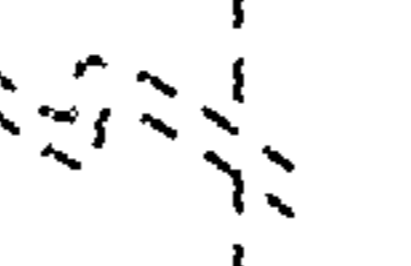
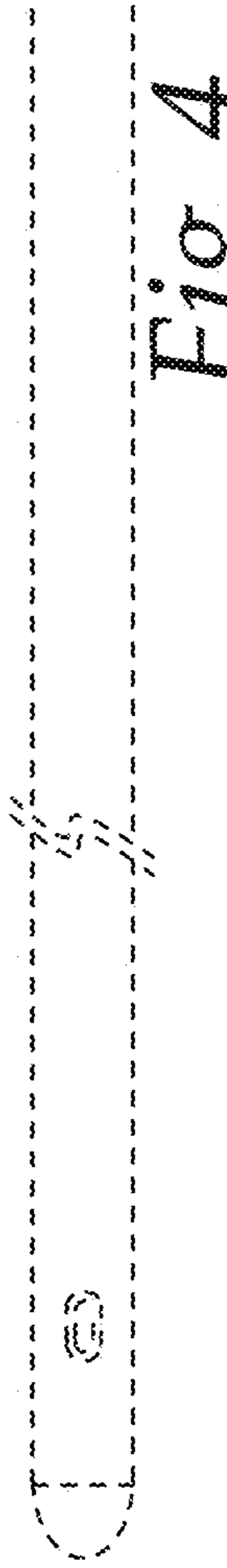
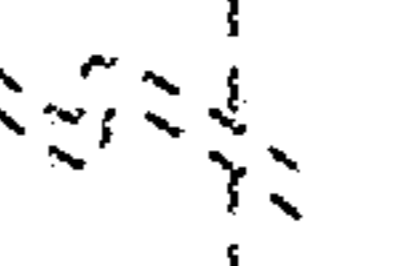
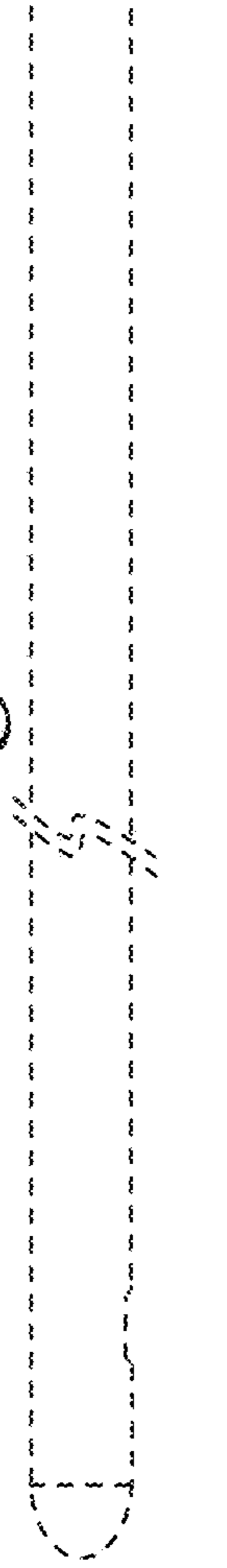
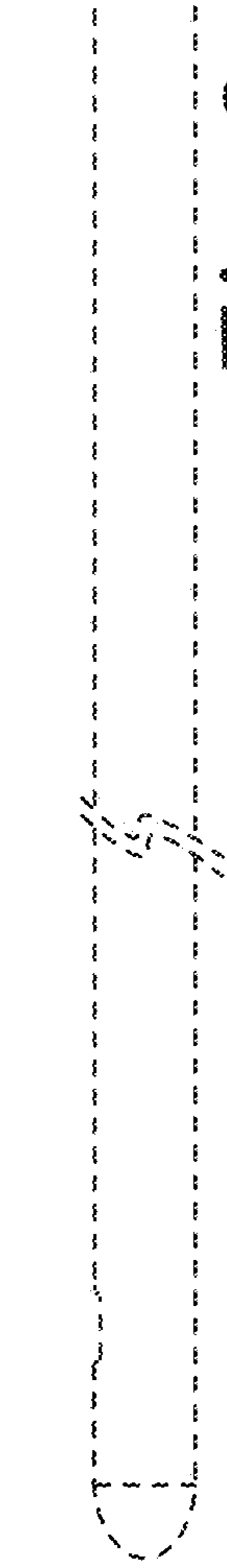


Fig. 6

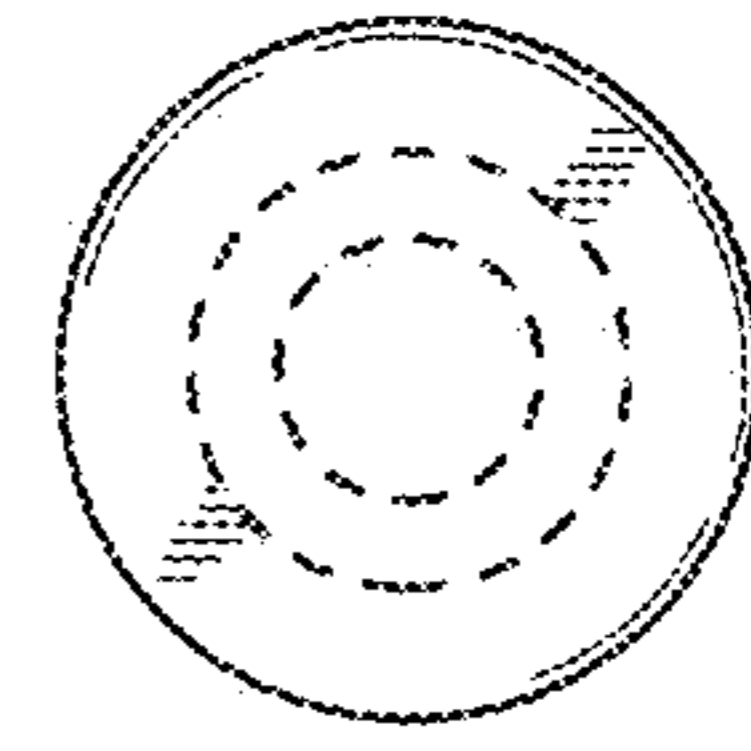


Fig. 7