



US00D918377S

(12) **United States Design Patent** (10) **Patent No.:** **US D918,377 S**
Cannamela et al. (45) **Date of Patent:** **** May 4, 2021**

(54) **TABLET**

(71) Applicant: **Johnson & Johnson Consumer Inc.**, Skillman, NJ (US)
(72) Inventors: **Michael G. Cannamela**, Atlantic Highlands, NJ (US); **Anthony Robert Geonnotti, III**, Princeton, NJ (US); **Max Hunter Knecht**, Brooklyn, NY (US); **Bjarne Høltzermann**, Vejle (DK)
(73) Assignee: **Johnson & Johnson Consumer Inc.**, Skillman, NJ (US)

(**) Term: **15 Years**

(21) Appl. No.: **29/669,316**

(22) Filed: **Nov. 7, 2018**

Related U.S. Application Data

(62) Division of application No. 29/621,722, filed on Oct. 11, 2017, now Pat. No. Des. 837,967.

(51) **LOC (13) Cl.** **28-01**

(52) **U.S. Cl.**
USPC **D24/101; D1/114**

(58) **Field of Classification Search**
USPC D1/100–130, 199; 426/94, 104, 138, 426/143, 144, 274, 283, 303, 391, 512, 426/514, 518, 549; D6/597, 601; D7/675, 560, 566, 568, 672; D9/451, D9/643, 707, 710, 715; D28/8.1, 8.2; D21/385, 386, 707; D24/101–104
CPC . A21C 11/12; A22C 13/0013; A21D 13/0016; A21D 13/0022; A21D 13/0025; A21D 13/0029; A21D 13/0074; A23G 3/343; A23G 3/36; A23G 3/28; A23G 3/54; A23G 4/20; A23G 9/48; A61K 9/2072; A61K 9/2095; A23L 1/005; A23L 1/0052; A23L 1/0067; A23L 1/16; A23L 1/1641; A23L 1/217; A23V 2002/00

See application file for complete search history.

(56) **References Cited**

U.S. PATENT DOCUMENTS

D52,895 S * 1/1919 McLaren D1/114
D154,641 S * 7/1949 Schrage D11/30
D258,320 S * 2/1981 Schilpp 426/104
D283,931 S 5/1986 Baum
D290,412 S 6/1987 Downs
D334,802 S 4/1993 Greer et al.
D343,268 S * 1/1994 Kraus D1/114
D429,329 S 8/2000 Kobayashi
D553,733 S 10/2007 Bergmeister et al.
D666,377 S * 9/2012 Correa D1/114
D671,636 S * 11/2012 Nishino D24/101

(Continued)

FOREIGN PATENT DOCUMENTS

CA 2 212 112 A1 2/1999
EM 000388459-0002 8/2005

(Continued)

OTHER PUBLICATIONS

Mintel database, Johnson & Johnson, “Listerine Cool Mint Pocketmist” dental ancillaries blister card, Mar. 2017.

(Continued)

Primary Examiner — Katie Jane Stofko

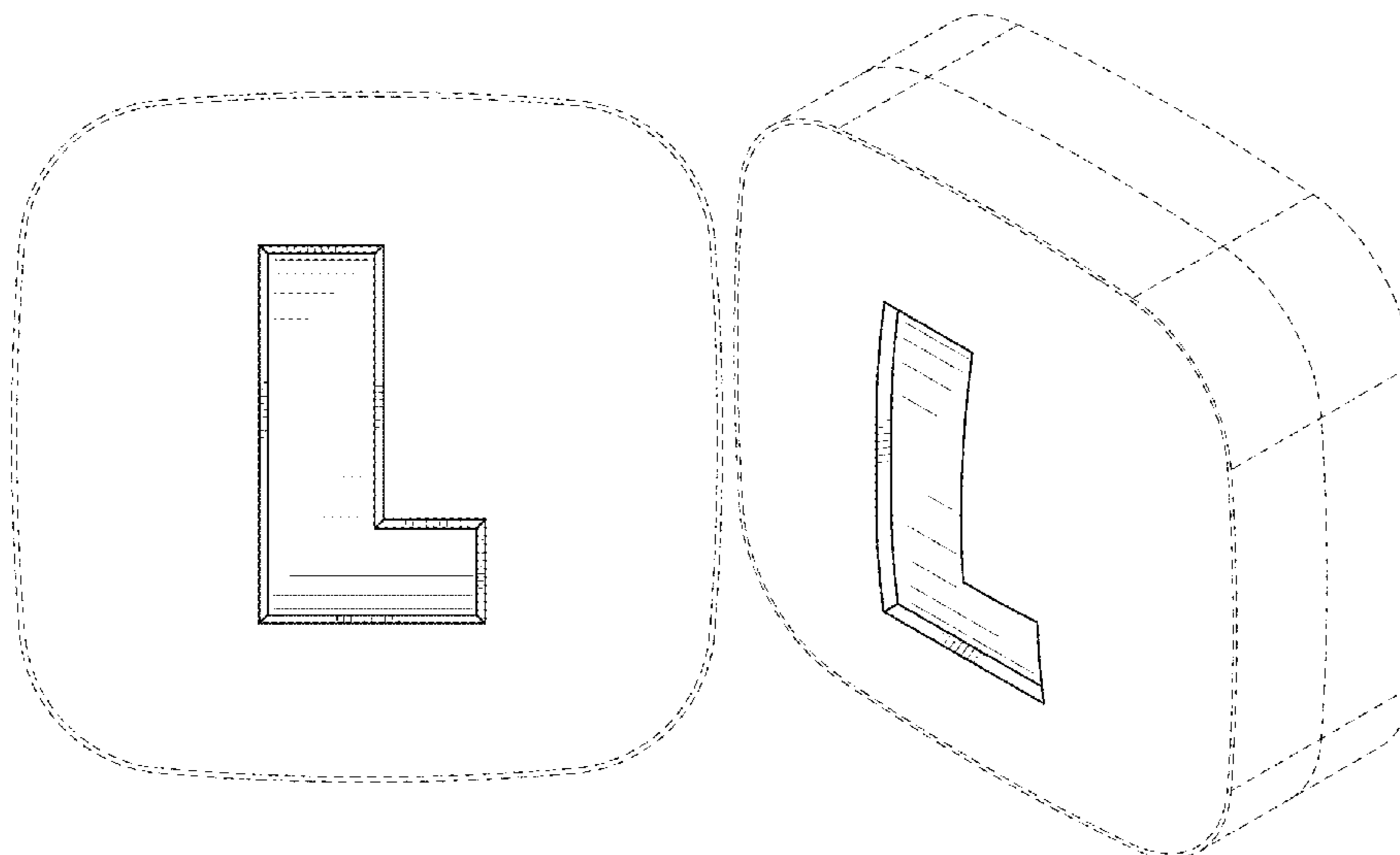
(57) **CLAIM**

The ornamental design for a tablet, as shown and described.

DESCRIPTION

FIG. 1 is a top plan view of a tablet; and, FIG. 2 is a top, rear, right side perspective view thereof. The broken lines in FIGS. 1 and 2 illustrate portions of the tablet that form no part of the claimed design.

1 Claim, 1 Drawing Sheet



(56)

References Cited

U.S. PATENT DOCUMENTS

D740,407 S 10/2015 Kassouni
D755,467 S * 5/2016 Pawlowski D1/127
D768,283 S 10/2016 Evans, II
D777,678 S * 1/2017 Brooks, Sr. D13/152
D785,459 S * 5/2017 Staab D9/652
D795,525 S * 8/2017 Cotten D1/114
D837,967 S * 1/2019 Cannamela D24/101
D900,924 S * 11/2020 Park D18/24
D907,760 S * 1/2021 Hassan D24/101
2008/0060968 A1 3/2008 Levy

FOREIGN PATENT DOCUMENTS

EM 002045849-0003 5/2012
EM 002339879-0001 6/2013
WO WO 2012/094467 A1 7/2012
WO WO 2013/035008 A1 3/2013

OTHER PUBLICATIONS

Mintel database, Johnson & Johnson, Anticavity Mouthwash, "Listerine Total Care" mouthwash bottle, Apr. 2009.
Search Report: EP18199638.0 dated Feb. 12, 2019.

* cited by examiner

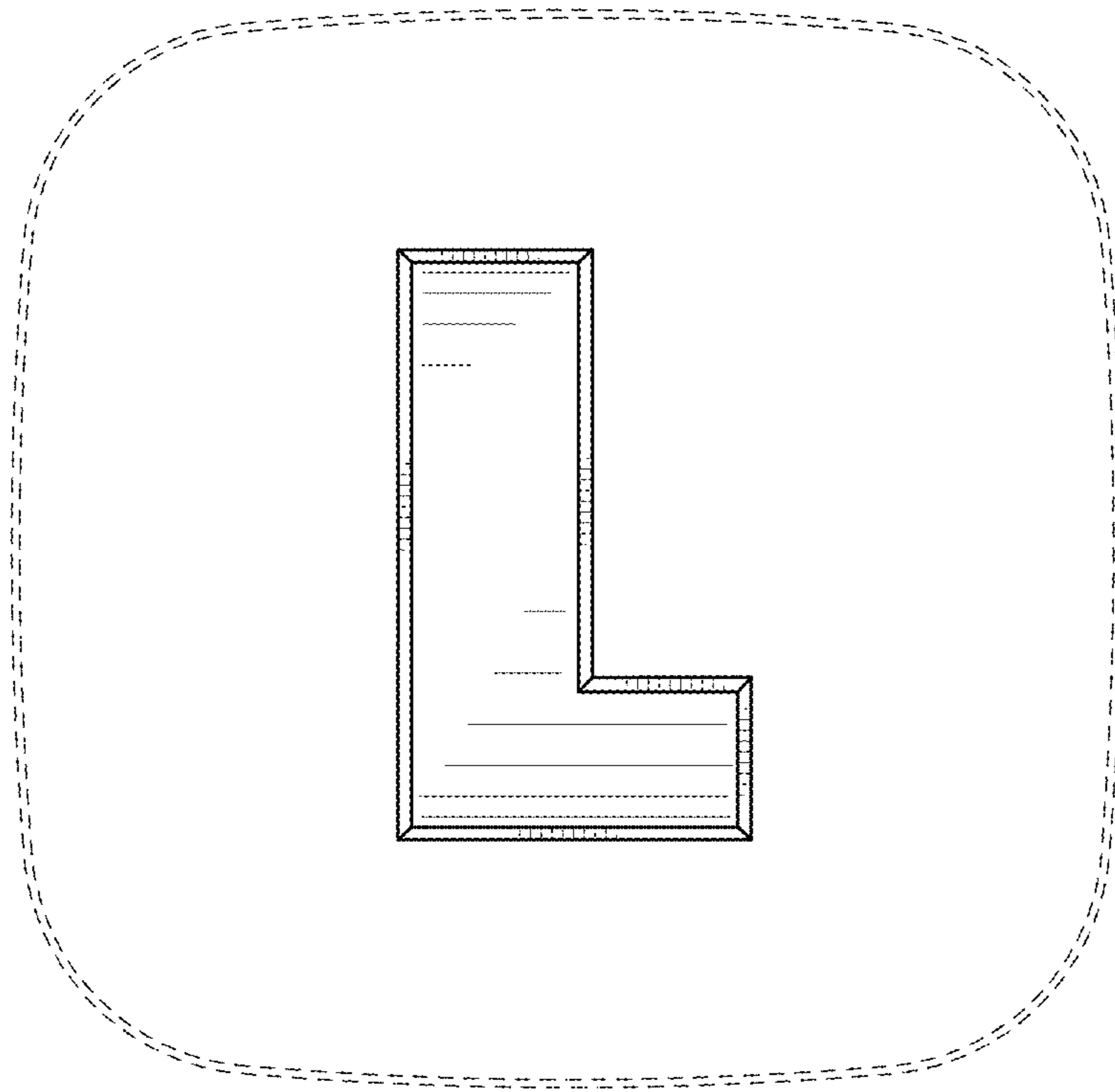


FIG. 1

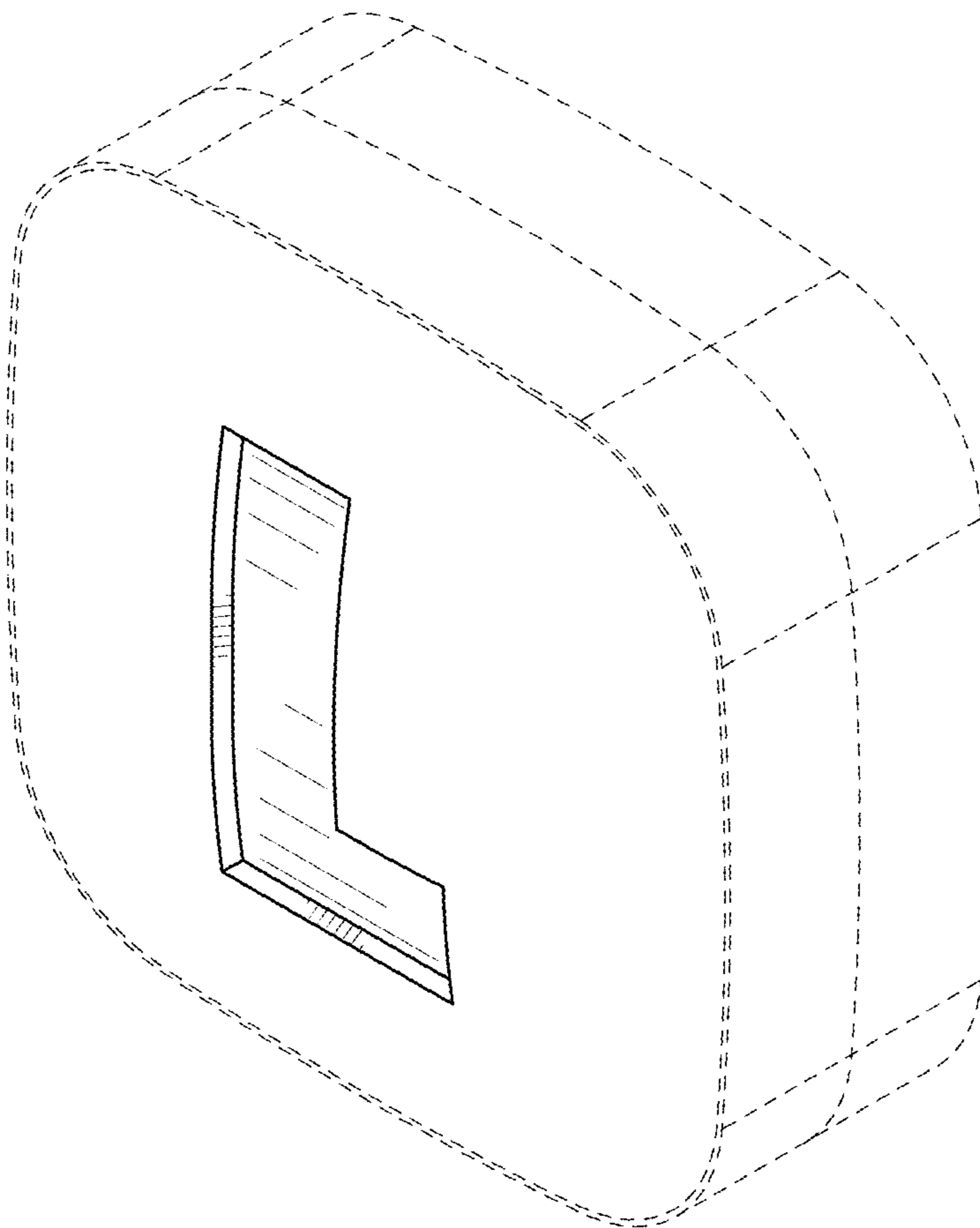


FIG. 2