



US00D918376S

(12) **United States Design Patent**
Schulzman

(10) **Patent No.:** **US D918,376 S**
(45) **Date of Patent:** **** May 4, 2021**

(54) **CEILING FAN HOUSING AND LIGHT
FIXTURE COMBINATION**

(71) Applicant: **Minka Lighting, Inc.**, Corona, CA
(US)

(72) Inventor: **Kurt Schulzman**, Long Beach, CA
(US)

(73) Assignee: **Minka Lighting, Inc.**, Corona, CA
(US)

(**) Term: **15 Years**

(21) Appl. No.: **29/650,098**

(22) Filed: **Jun. 4, 2018**

Related U.S. Application Data

(63) Continuation-in-part of application No. 29/590,079,
filed on Jan. 6, 2017, now abandoned.

(51) **LOC (13) Cl.** **23-04**

(52) **U.S. Cl.**
USPC **D23/411; D26/59**

(58) **Field of Classification Search**
USPC ... D26/59, 24, 118, 119, 121–124, 128–137;
D23/370, 377–382, 411–414
CPC F04D 25/088; F04D 29/38; F21V 21/03;
B63H 1/16
See application file for complete search history.

(56) **References Cited**

U.S. PATENT DOCUMENTS

D125,317 S *	2/1941	Sabatini	D26/88
D315,612 S *	3/1991	Hughes	D26/85
D384,181 S *	9/1997	Borden	D26/110
D573,751 S *	7/2008	Citterio	D26/71
D616,966 S *	6/2010	Angell	D23/262
D632,780 S *	2/2011	Pan	D23/411

D706,407 S *	6/2014	Wang	D23/385
D709,175 S *	7/2014	Allen	D23/385
D773,634 S *	12/2016	Wang	D23/385
D778,422 S *	2/2017	Gajewski	D23/377
D779,052 S *	2/2017	Gajewski	D23/411
D779,093 S *	2/2017	Gajewski	D26/59
D784,510 S *	4/2017	Badarello	D23/385
D788,286 S *	5/2017	Busta	D23/411
D795,412 S *	8/2017	Schulzman	D23/377
D799,668 S *	10/2017	Wang	D23/377
D802,114 S *	11/2017	Busta	D23/377
D804,646 S *	12/2017	Schulzman	D23/411
D806,226 S *	12/2017	Gajewski	D23/411
D831,187 S *	10/2018	Schulzman	D23/377
D832,990 S *	11/2018	Schulzman	D23/377
D834,696 S *	11/2018	Schulzman	D23/377
D844,770 S *	4/2019	Schulzman	D23/411
D857,874 S *	8/2019	Hidalgo	D23/377
D860,428 S *	9/2019	Orozco	D23/377
D860,429 S *	9/2019	Orozco	D23/377
D861,155 S *	9/2019	Badarello	D23/411

(Continued)

Primary Examiner — Janice Hallmark

(74) *Attorney, Agent, or Firm* — Seyfarth Shaw LLP

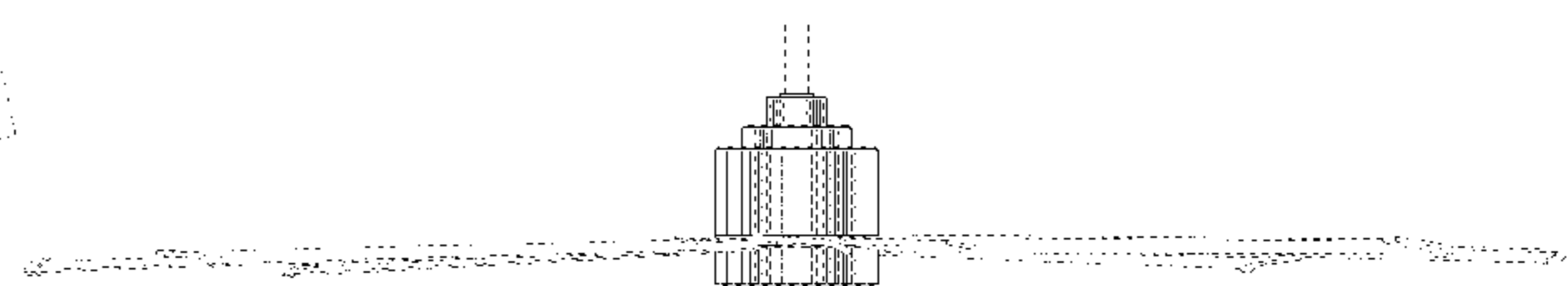
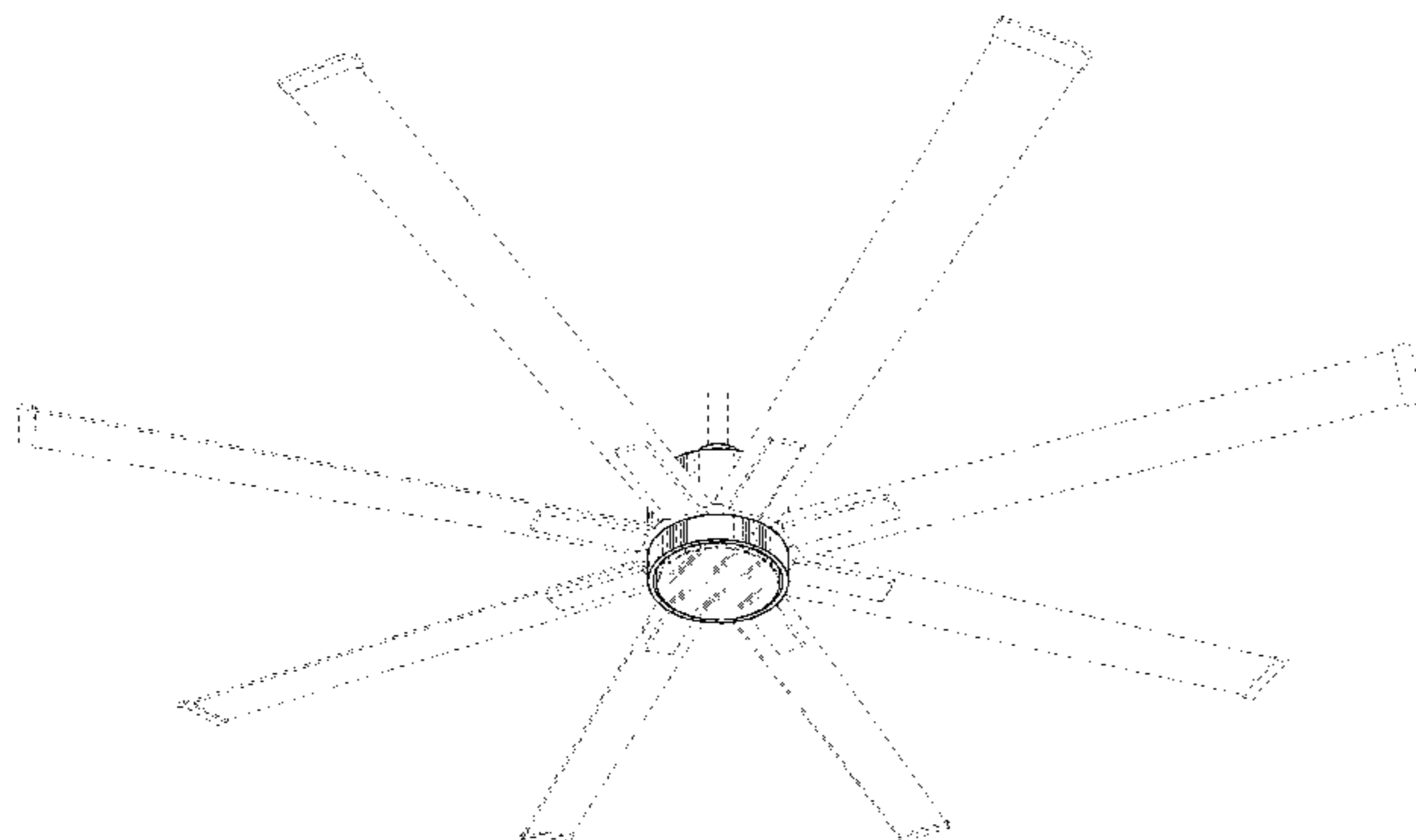
(57) **CLAIM**

The ornamental design for a ceiling fan housing and light fixture combination, as shown and described.

DESCRIPTION

FIG. 1 is a perspective view of a ceiling fan housing and light fixture combination in accordance with my design; FIG. 2 is a top plan view thereof; FIG. 3 is a bottom plan view thereof; FIG. 4 is a left elevation view thereof, the opposite side being a mirror image of that shown; and, FIG. 5 is a front elevation view thereof, the opposite side being a mirror image of that shown. The broken lines in the drawings illustrate environmental subject matter and form no part of the claimed design.

1 Claim, 4 Drawing Sheets



(56)

References Cited

U.S. PATENT DOCUMENTS

D894,364 S * 8/2020 Schulzman D23/377
D898,182 S * 10/2020 Zhang D23/411
2010/0278637 A1 * 11/2010 Oleson F04D 27/002
415/121.3

* cited by examiner

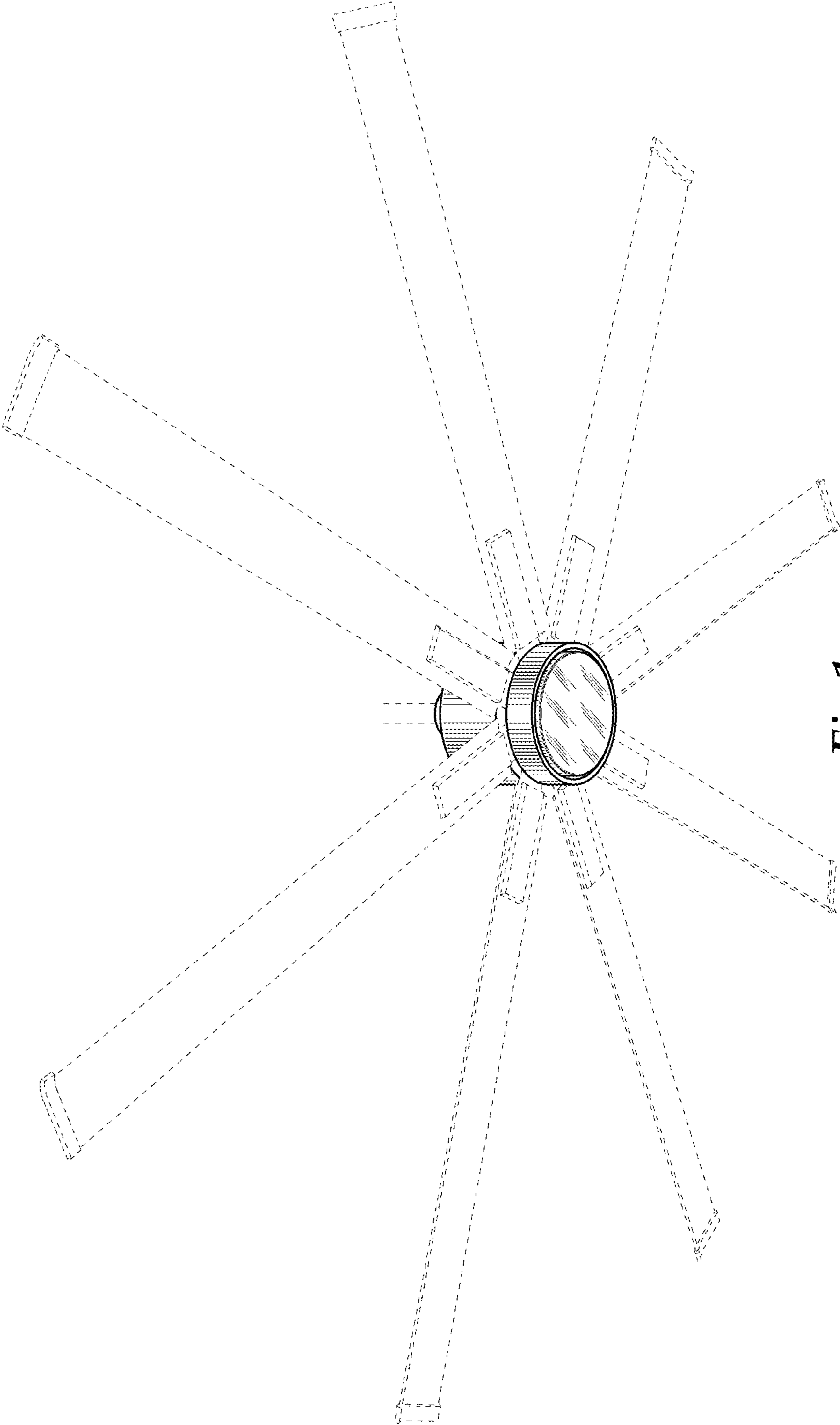


Fig. 1

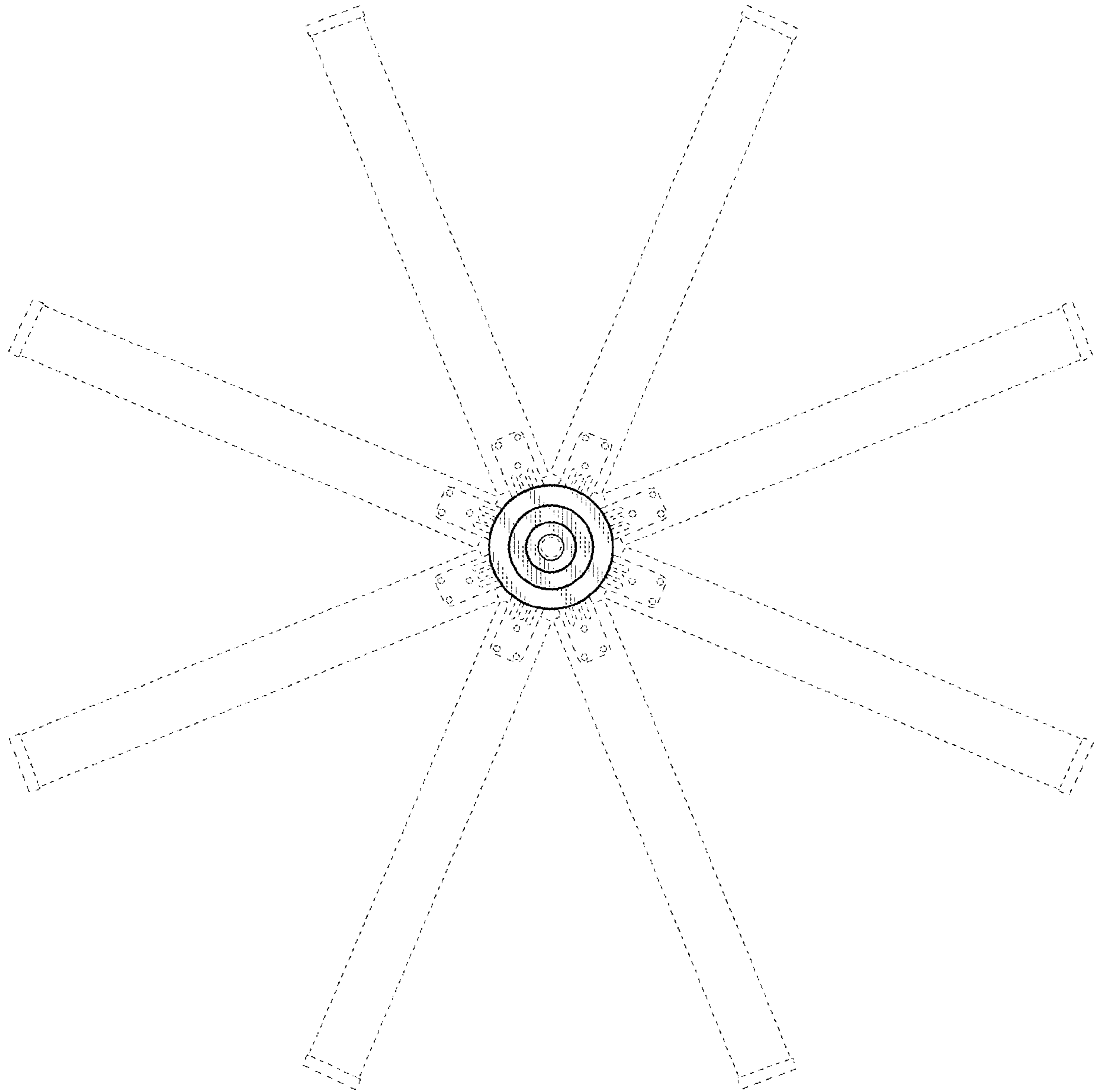


Fig.2

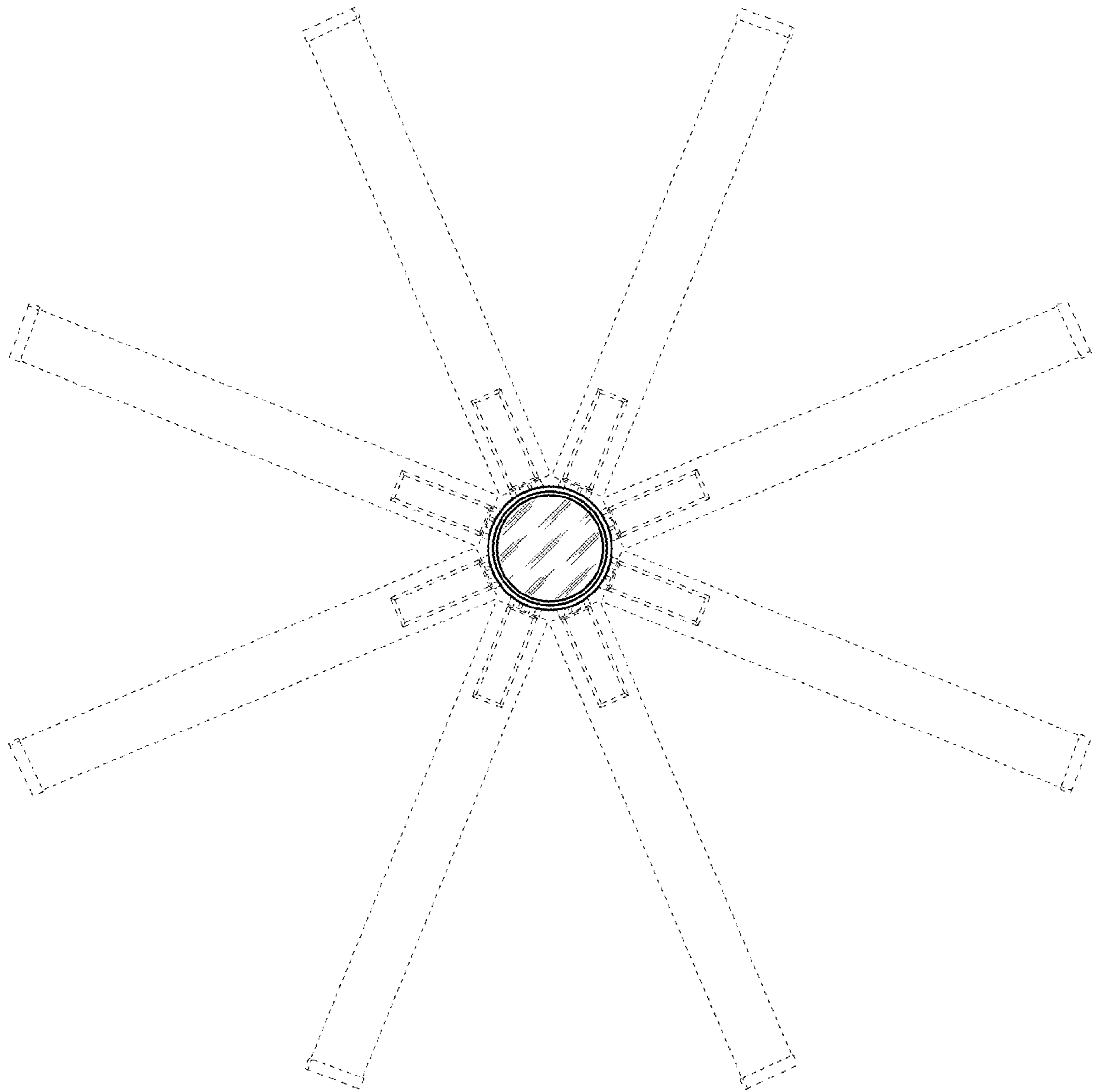


Fig.3

