



US00D918374S

(12) **United States Design Patent**
Schofel

(10) **Patent No.:** **US D918,374 S**

(45) **Date of Patent:** **** May 4, 2021**

(54) **COMPACT SOFFIT VENT**

(71) Applicant: **Richard A. Schofel**, West Long Branch,
NJ (US)

(72) Inventor: **Richard A. Schofel**, West Long Branch,
NJ (US)

(**) Term: **15 Years**

(21) Appl. No.: **29/746,949**

(22) Filed: **Aug. 18, 2020**

(51) **LOC (13) Cl.** **23-03**

(52) **U.S. Cl.**
USPC **D23/393**

(58) **Field of Classification Search**
USPC D23/258, 327, 354, 370–373, 386–389,
D23/392–393, 399
CPC . F16L 43/00–003; F24F 2007/001–003; F24F
7/02; F24F 7/07; F24F 7/013; F24F
7/025; E04D 13/15; E04D 13/151; E04D
13/152

See application file for complete search history.

(56) **References Cited**

U.S. PATENT DOCUMENTS

2,878,743 A	3/1959	Trunnell	
3,051,071 A	8/1962	Leigh	
D206,421 S *	12/1966	Kilbourn	D23/259
5,095,942 A	3/1992	Murphy	
5,167,578 A *	12/1992	Legault	E04D 13/152 454/350
5,498,204 A *	3/1996	Anderson	E04D 13/152 454/30
5,662,522 A *	9/1997	Waltz	E04D 13/17 454/359
5,711,091 A *	1/1998	Bos	D06F 58/20 34/140

5,791,985 A * 8/1998 Schiedegger F24F 7/02
454/339

5,934,362 A 8/1999 Barker, II
5,971,847 A 10/1999 Webb

(Continued)

OTHER PUBLICATIONS

“Soffit Intake/Exhaust Vent” Jan. 26, 2011, HEYOKA Solutions,
site visited Oct. 23, 2020: [http://www.heyokasolutions.com/
ProductDetails.asp?ProductCode=PRMX%2DSV2801](http://www.heyokasolutions.com/ProductDetails.asp?ProductCode=PRMX%2DSV2801) (Year: 2011).*

(Continued)

Primary Examiner — Jack Reickel

Assistant Examiner — Bobby W Jones, II

(74) *Attorney, Agent, or Firm* — Patterson + Sheridan,
LLP

(57) **CLAIM**

The ornamental design for a compact soffit vent, as shown
and described.

DESCRIPTION

FIG. 1 is a front bottom perspective view of a compact soffit
vent of my new design.

FIG. 2 is a rear bottom perspective view of the soffit vent.

FIG. 3 is a front top perspective view of the soffit vent.

FIG. 4 is a rear top perspective view of the soffit vent.

FIG. 5 is a front elevation the soffit vent.

FIG. 6 is a first side elevation the soffit vent.

FIG. 7 is a rear elevation the soffit vent.

FIG. 8 is a second side elevation of the soffit vent.

FIG. 9 is a top plan view of the soffit vent.

FIG. 10 is a bottom plan view of the soffit vent.

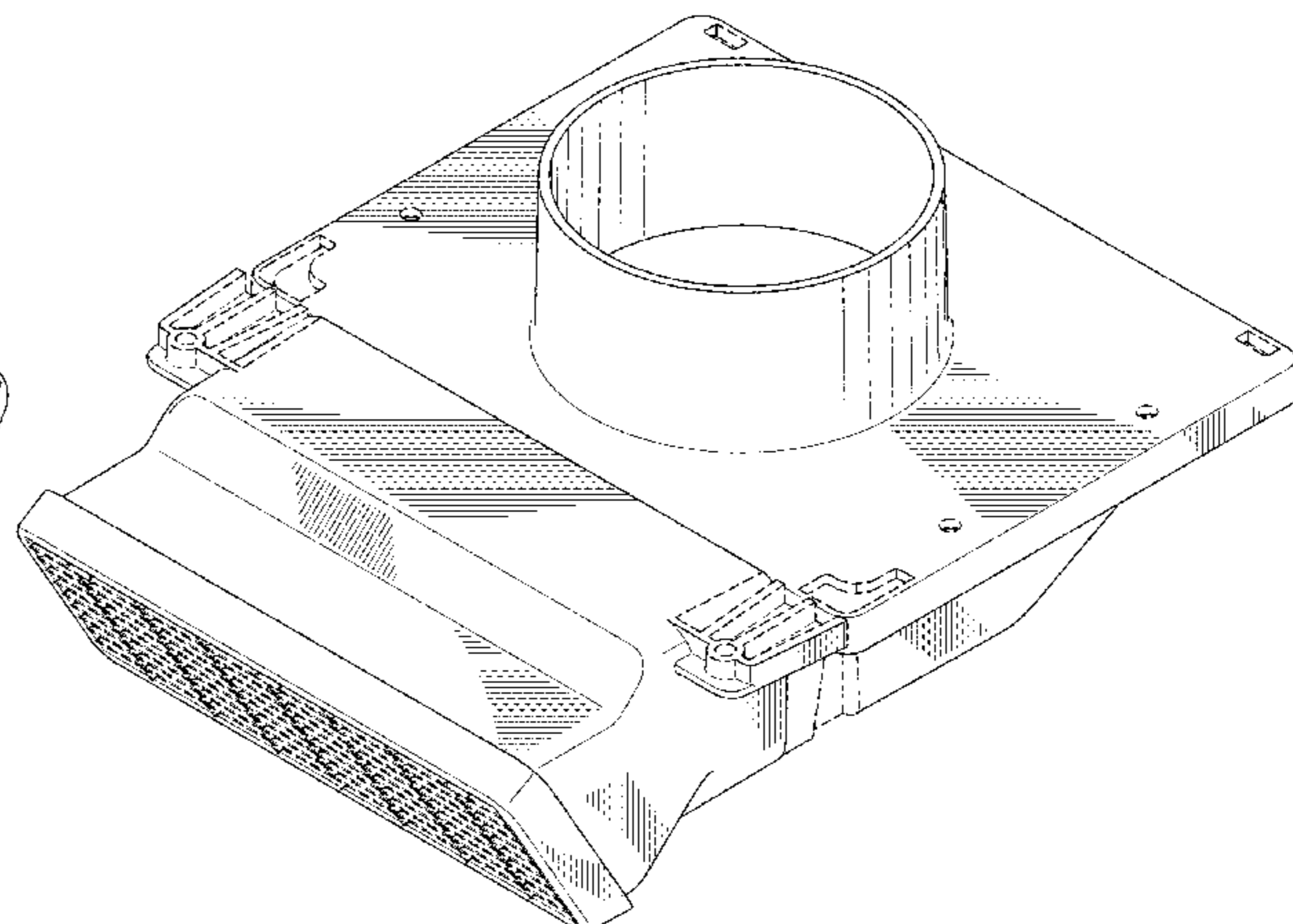
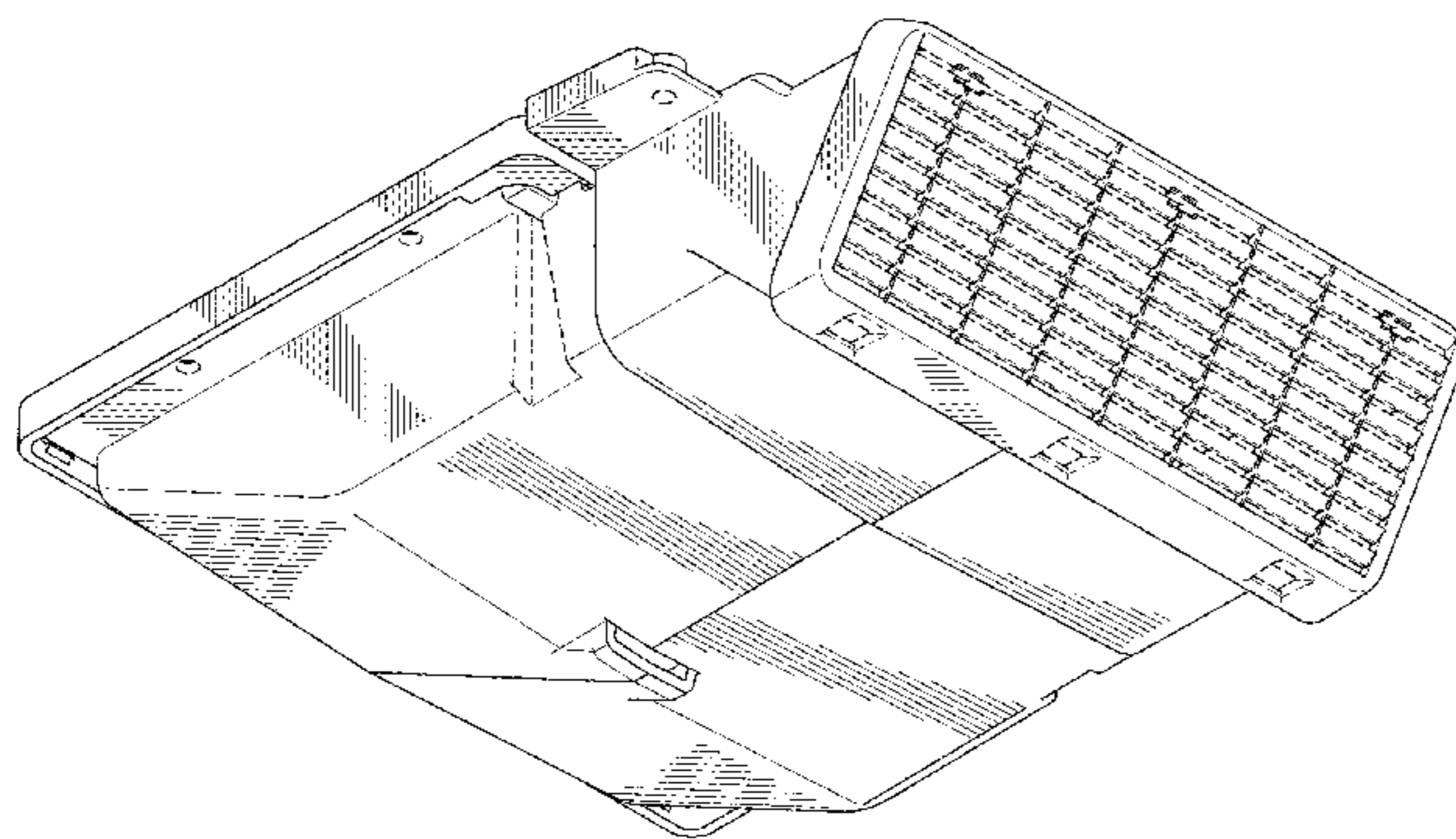
FIG. 11 is an enlarged portion of the front elevation shown
in FIG. 5 illustrating a grill of the soffit vent; and,

FIG. 12 is a partial sectional view of the grill of the soffit
vent.

The broken lines in the figures form no part of the claimed
design.

All surfaces not shown form no part of the claimed design.

1 Claim, 12 Drawing Sheets



(56)

References Cited

U.S. PATENT DOCUMENTS

5,984,776 A 11/1999 Berger
 D442,273 S * 5/2001 Pestell D23/393
 6,293,862 B1 * 9/2001 Jafine F24F 7/02
 454/359
 6,682,415 B1 * 1/2004 Vagedes F24F 7/00
 34/235
 D488,857 S * 4/2004 Wintersteen D23/370
 6,767,281 B2 7/2004 McKee
 D511,377 S * 11/2005 Erwan D23/393
 7,022,011 B1 4/2006 Rickman et al.
 7,108,600 B1 9/2006 Krzyskowski et al.
 7,410,416 B2 8/2008 Fettkether
 D620,585 S * 7/2010 Adair D23/387
 7,980,266 B2 7/2011 Niedermair
 D675,719 S * 2/2013 Eicher D23/373
 D678,994 S * 3/2013 Miyake D23/371
 D731,047 S * 6/2015 Leonard D23/373
 9,062,454 B1 6/2015 Borgman et al.
 9,341,291 B2 5/2016 Sandman et al.
 D779,650 S * 2/2017 Pohlman D23/393
 9,657,962 B2 5/2017 Mosley
 D846,086 S * 4/2019 Naber D23/259
 10,731,891 B2 * 8/2020 Khalil F24F 13/02

2005/0003755 A1 * 1/2005 Koessler F24F 13/18
 454/359
 2006/0240762 A1 * 10/2006 Railkar F24F 7/02
 454/260
 2007/0010191 A1 1/2007 Vanden Bosch et al.
 2010/0124877 A1 5/2010 Sukup
 2011/0312265 A1 12/2011 Leblanc
 2012/0052792 A1 3/2012 Sinur et al.
 2013/0247480 A1 9/2013 Ridgway
 2018/0156482 A1 * 6/2018 Khalil F24F 7/08
 2018/0216845 A1 * 8/2018 Whitehead F24F 13/14
 2019/0195520 A1 6/2019 King, Jr.

OTHER PUBLICATIONS

“Lambro Industries 143WP” Sep. 10, 2006 Amazon, site visited
 Oct. 28, 2020: <https://www.amazon.com/dp/B000H5PTSG/> (Year:
 2006).*
 “Lambro Industries 164W Plastic Double Sided Under Eave Vent”
 Oct. 30, 2012: <https://www.amazon.com/dp/B009YV1IWK/> (Year:
 2012).*
 International Search REport and Written Opinion Applicaiton No.
 PCT/2020042938 dated Sep. 30, 2020 consists of 20 pages.

* cited by examiner

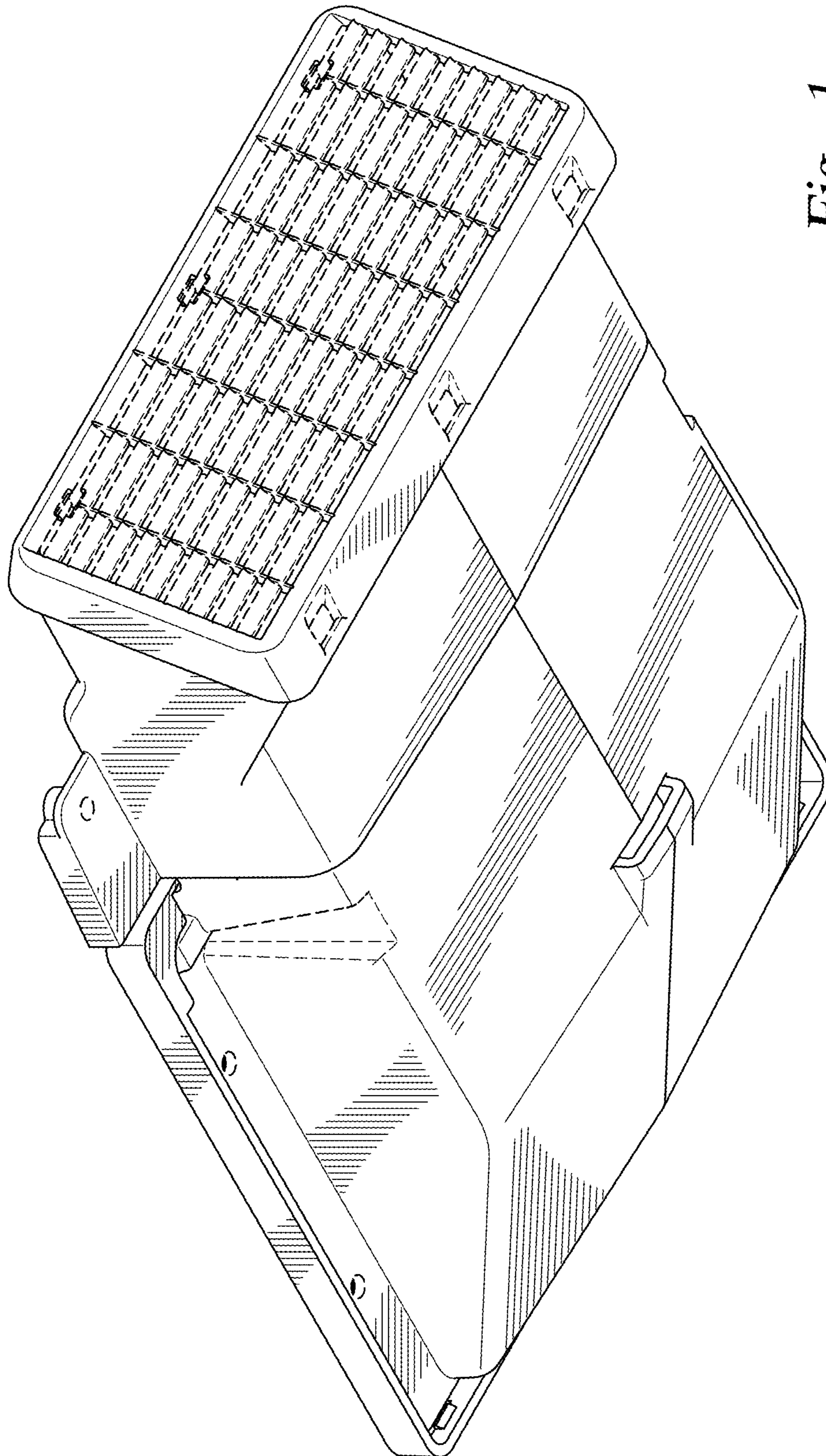


Fig. 1

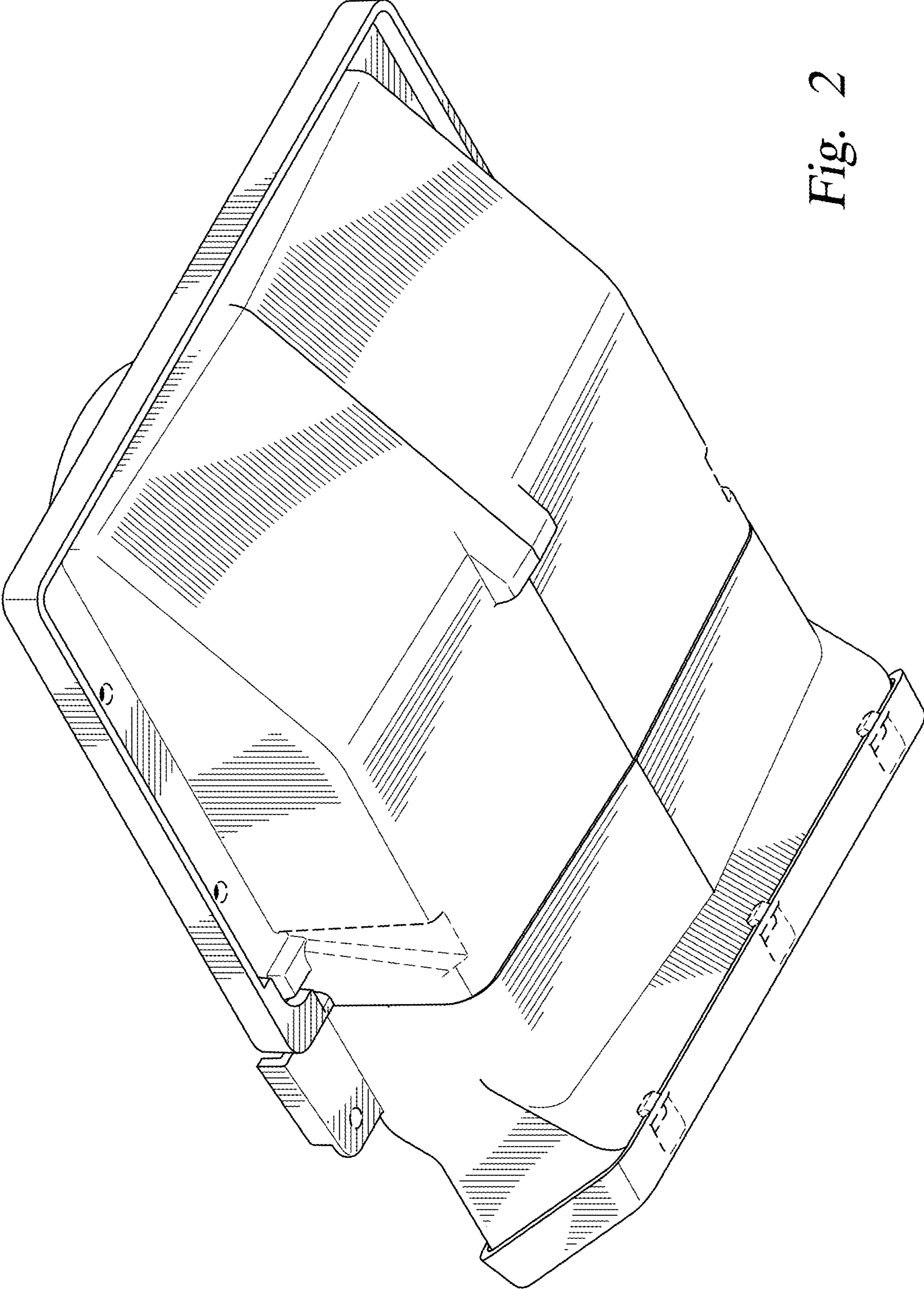


Fig. 2

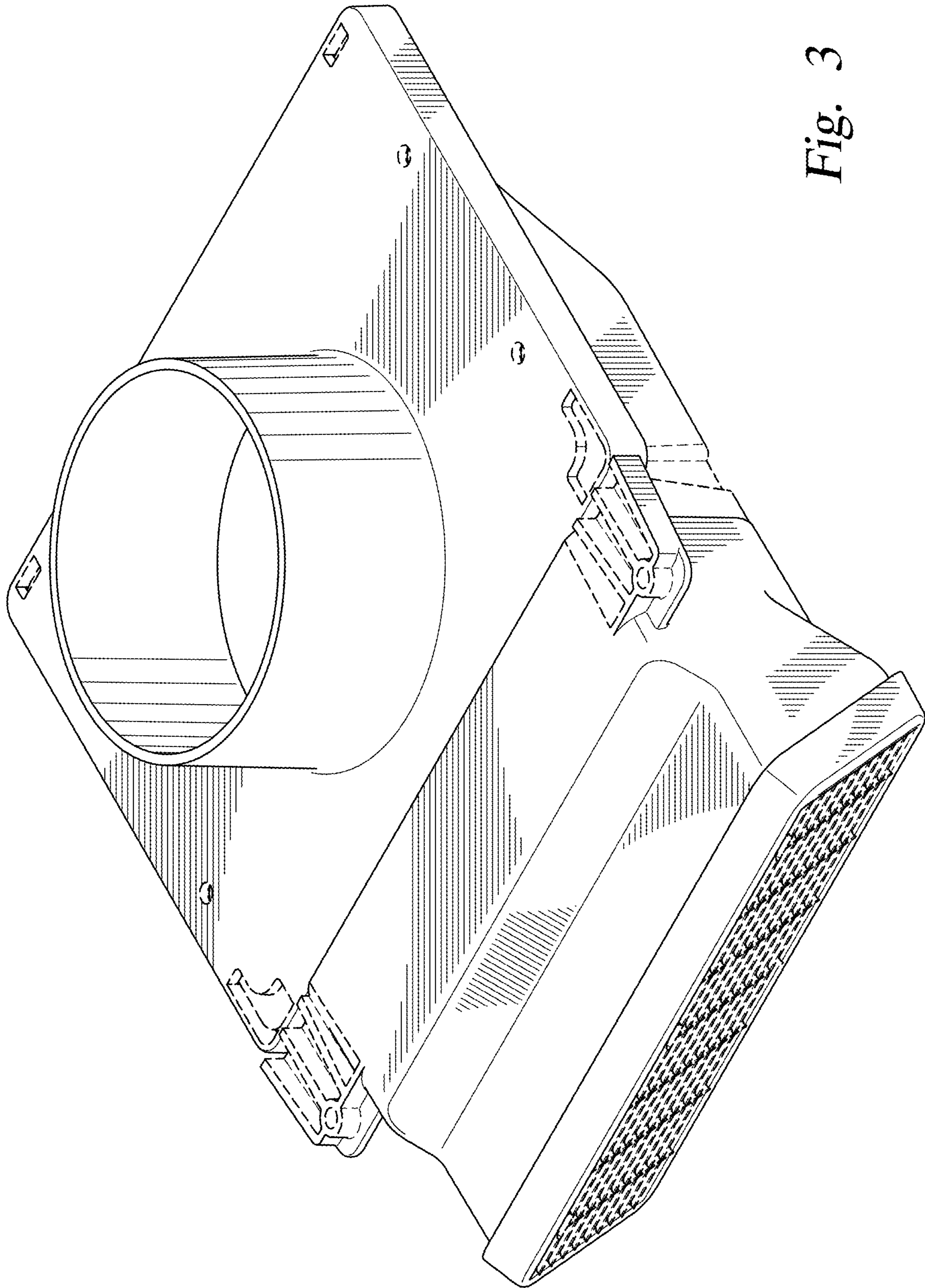


Fig. 3

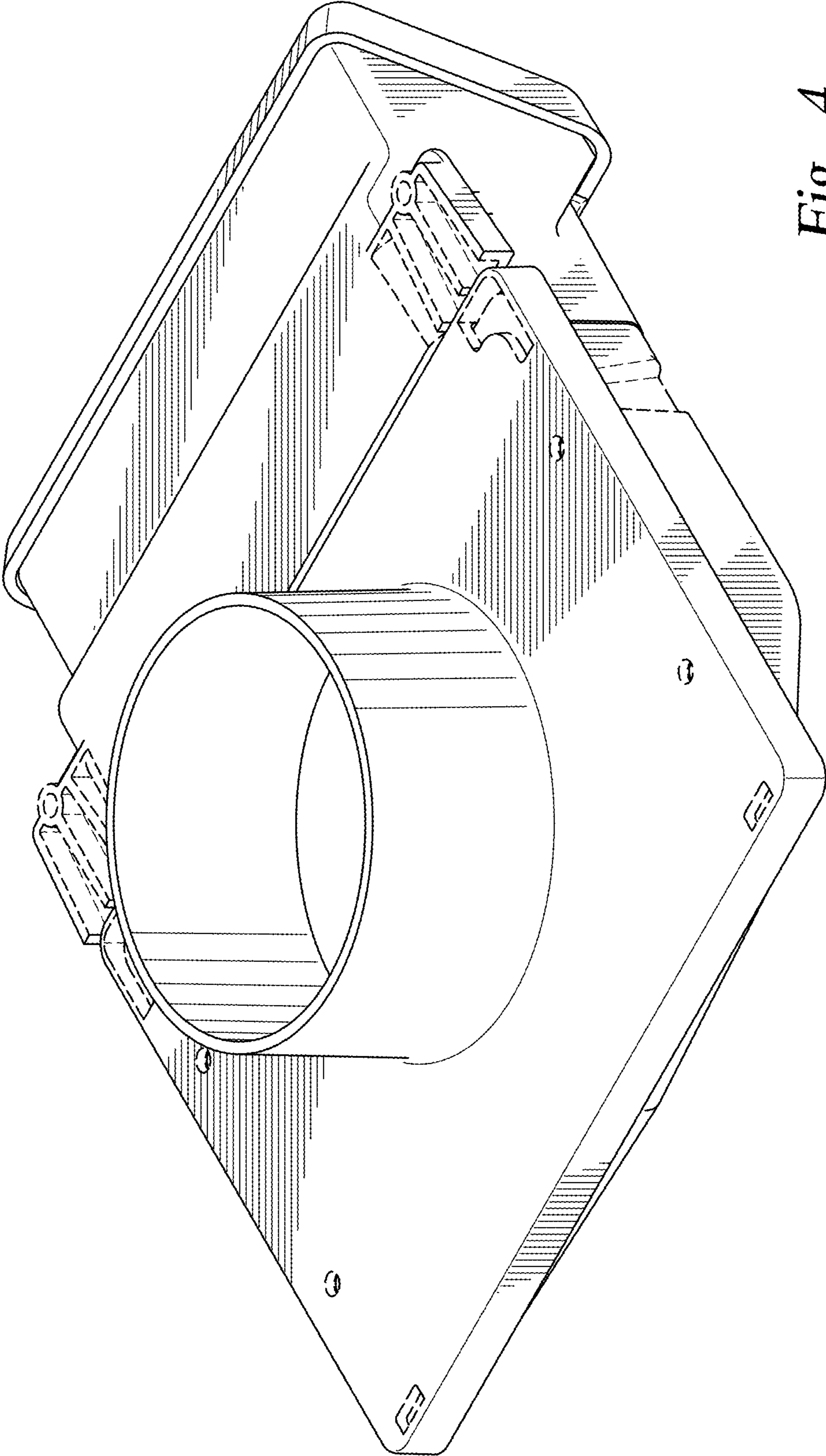


Fig. 4

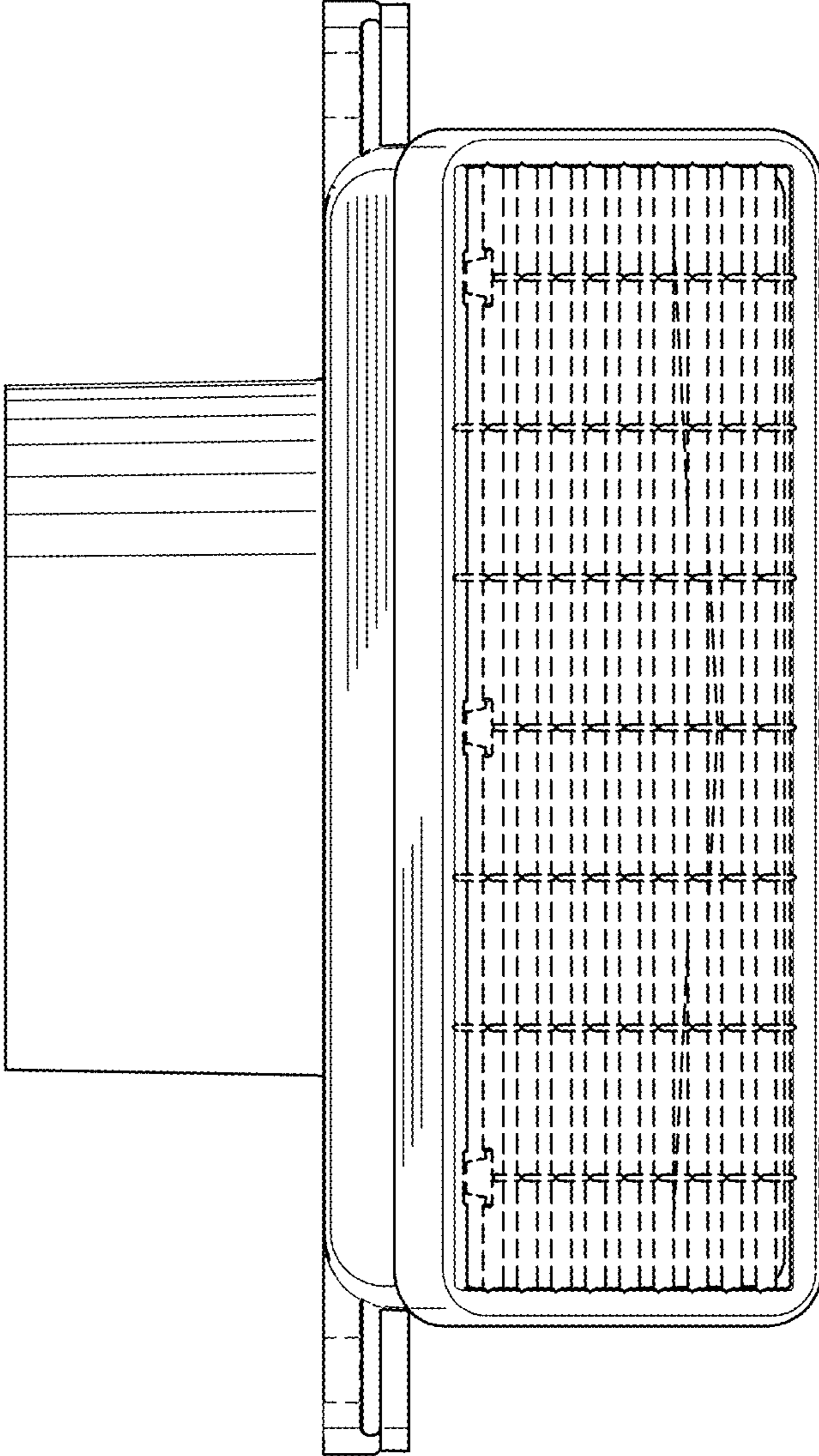


Fig. 5

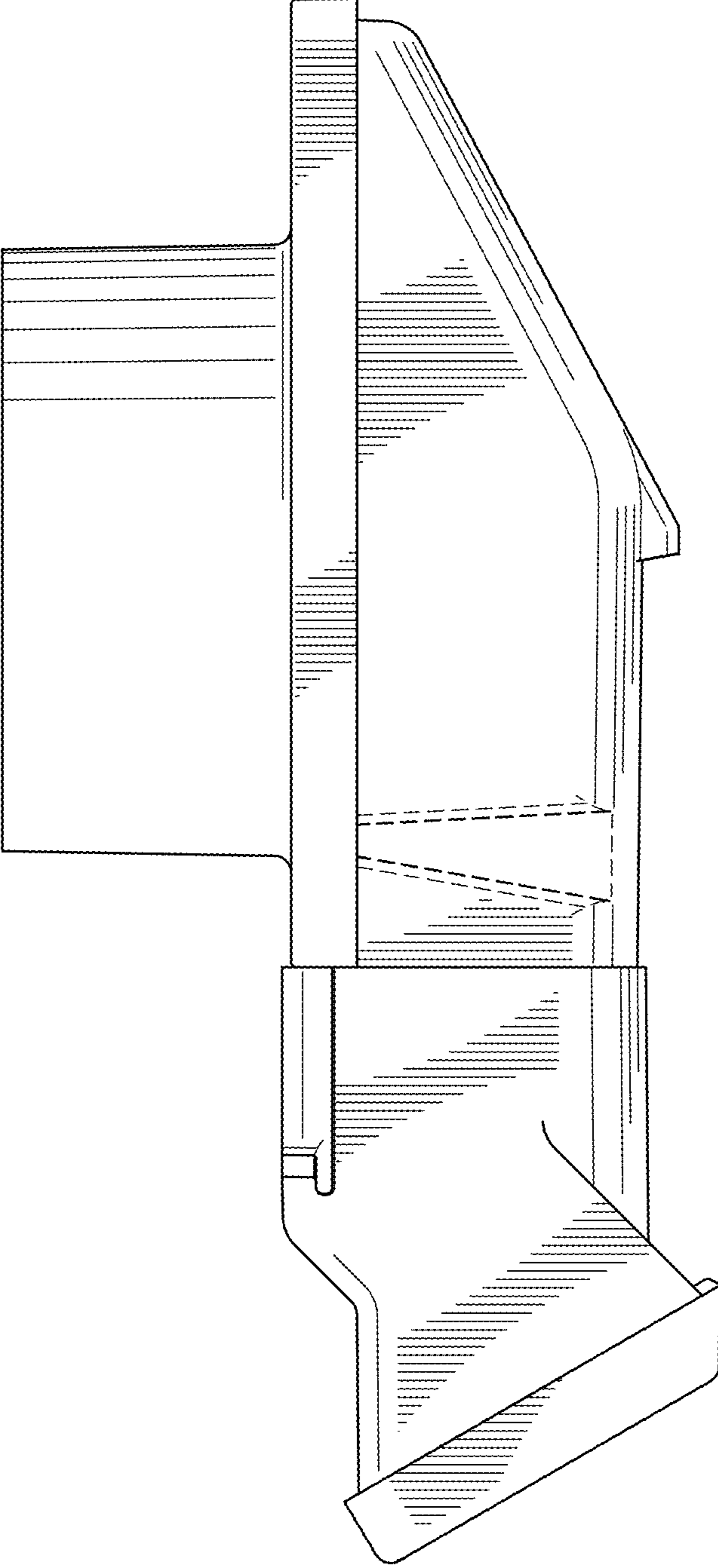


Fig. 6

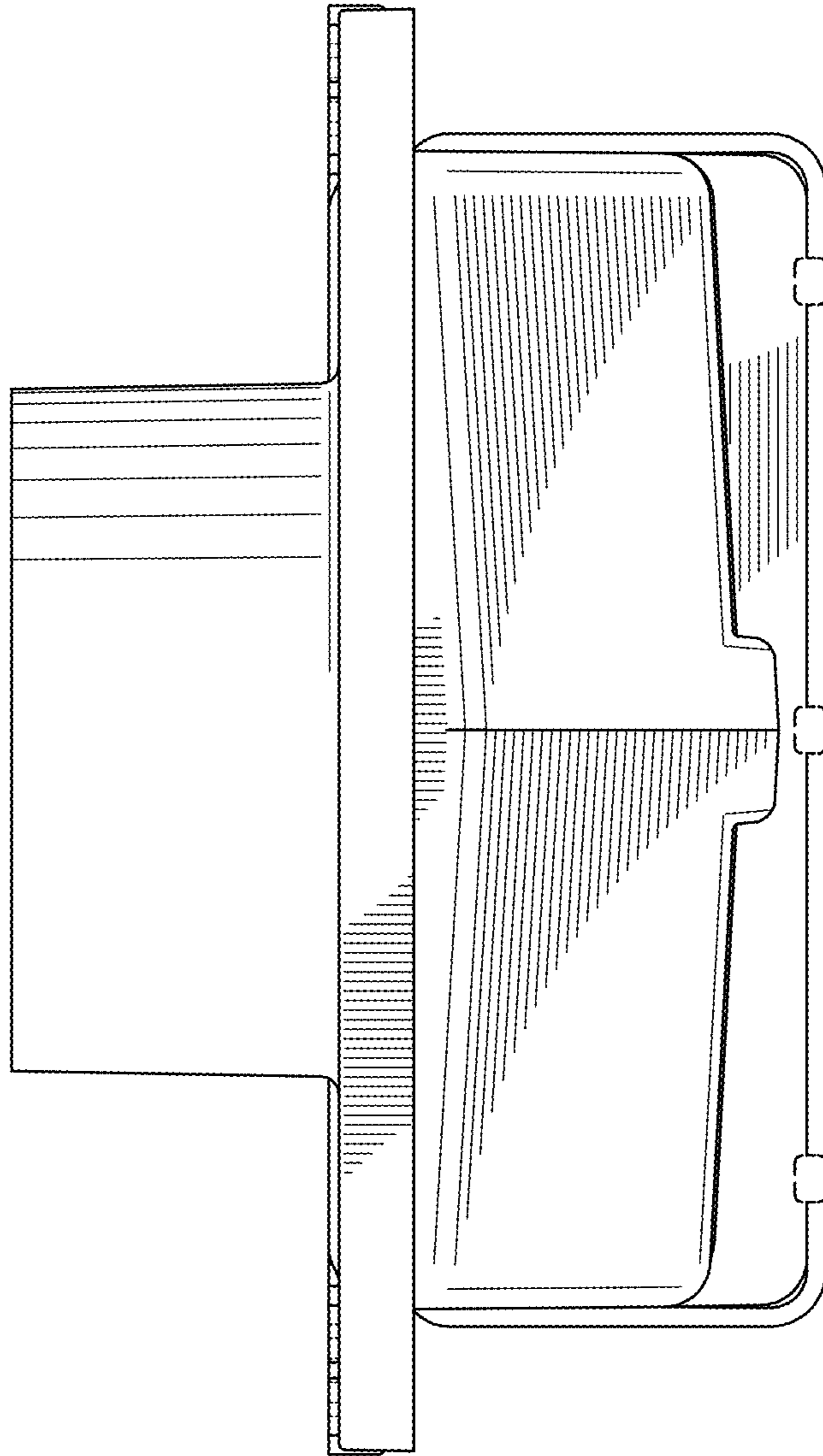


Fig. 7

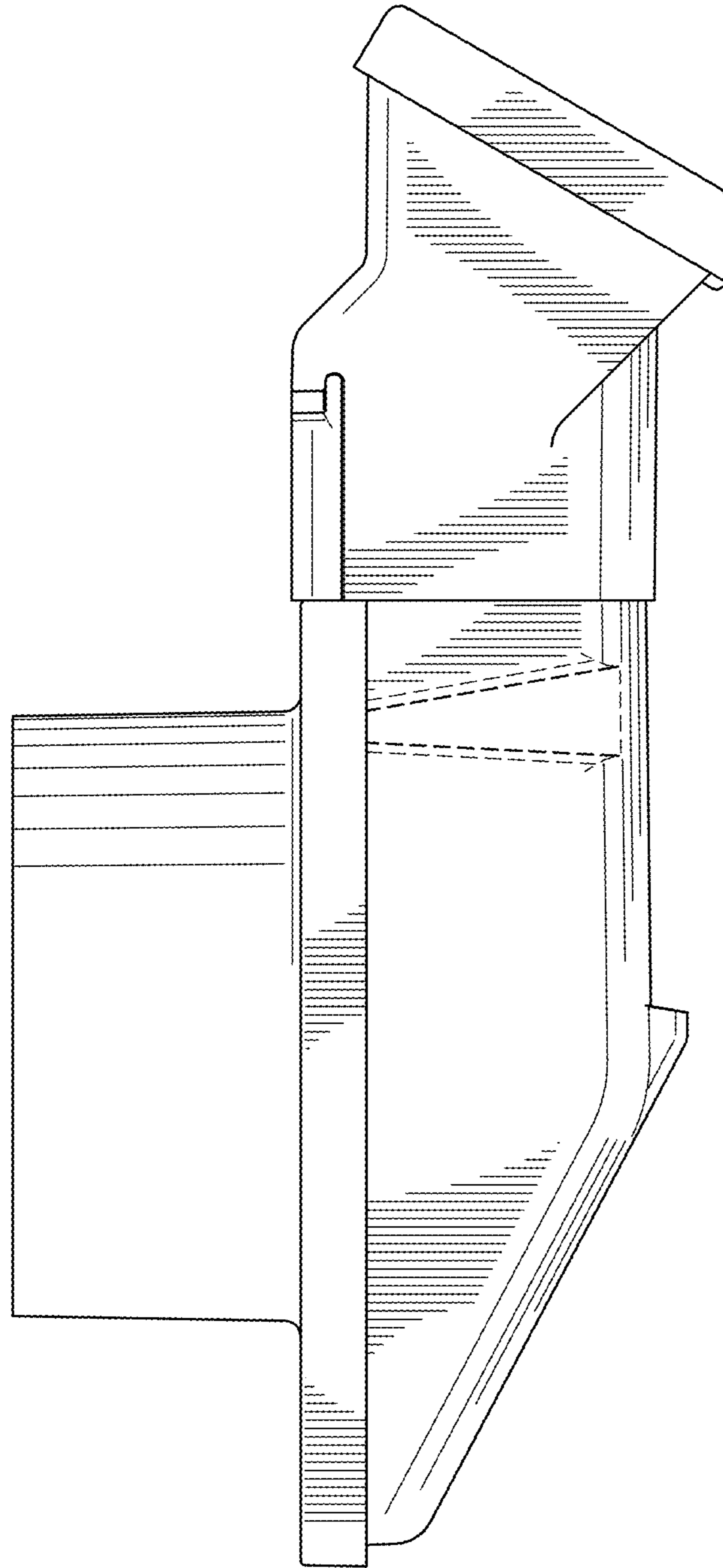


Fig. 8

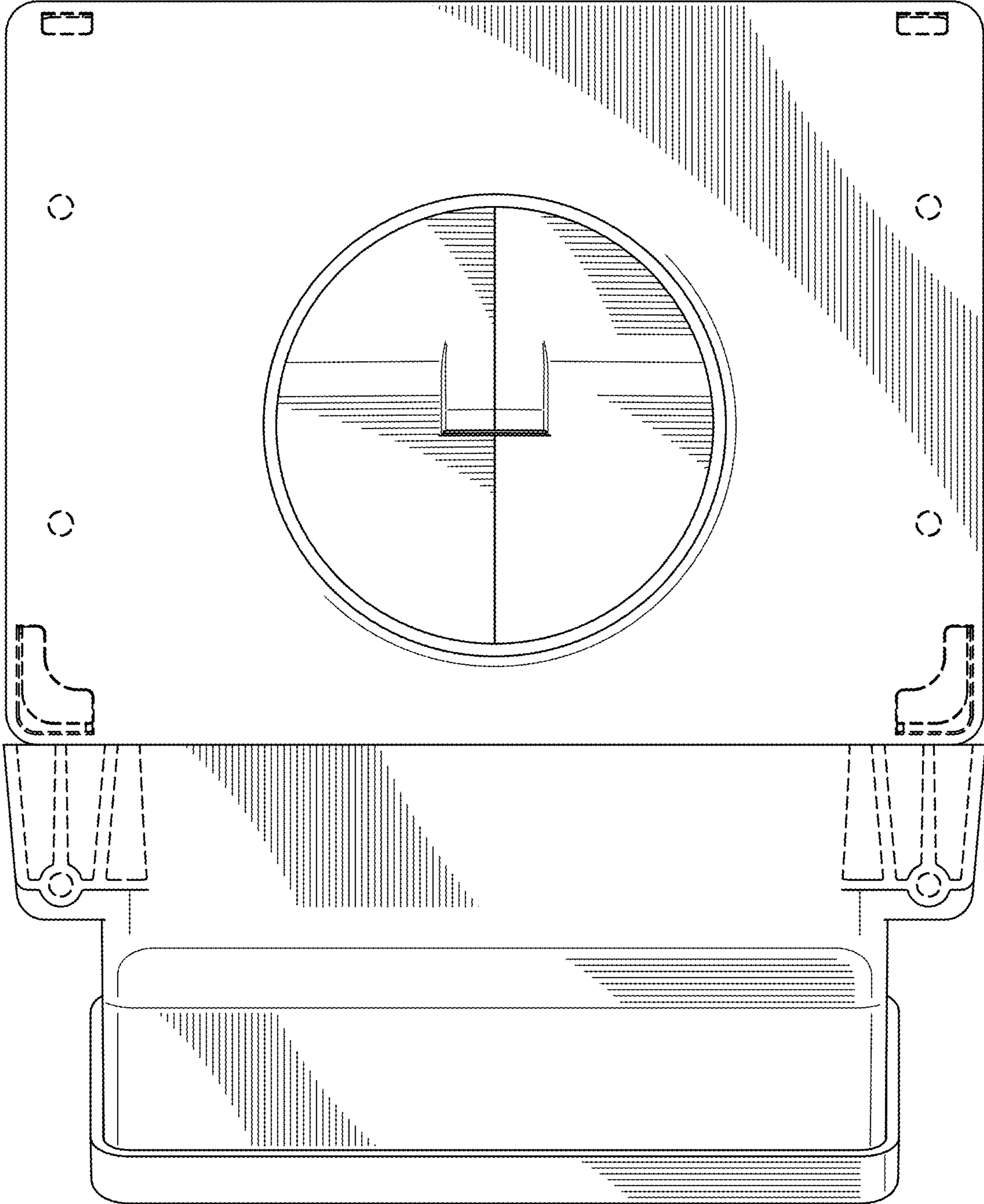


Fig. 9

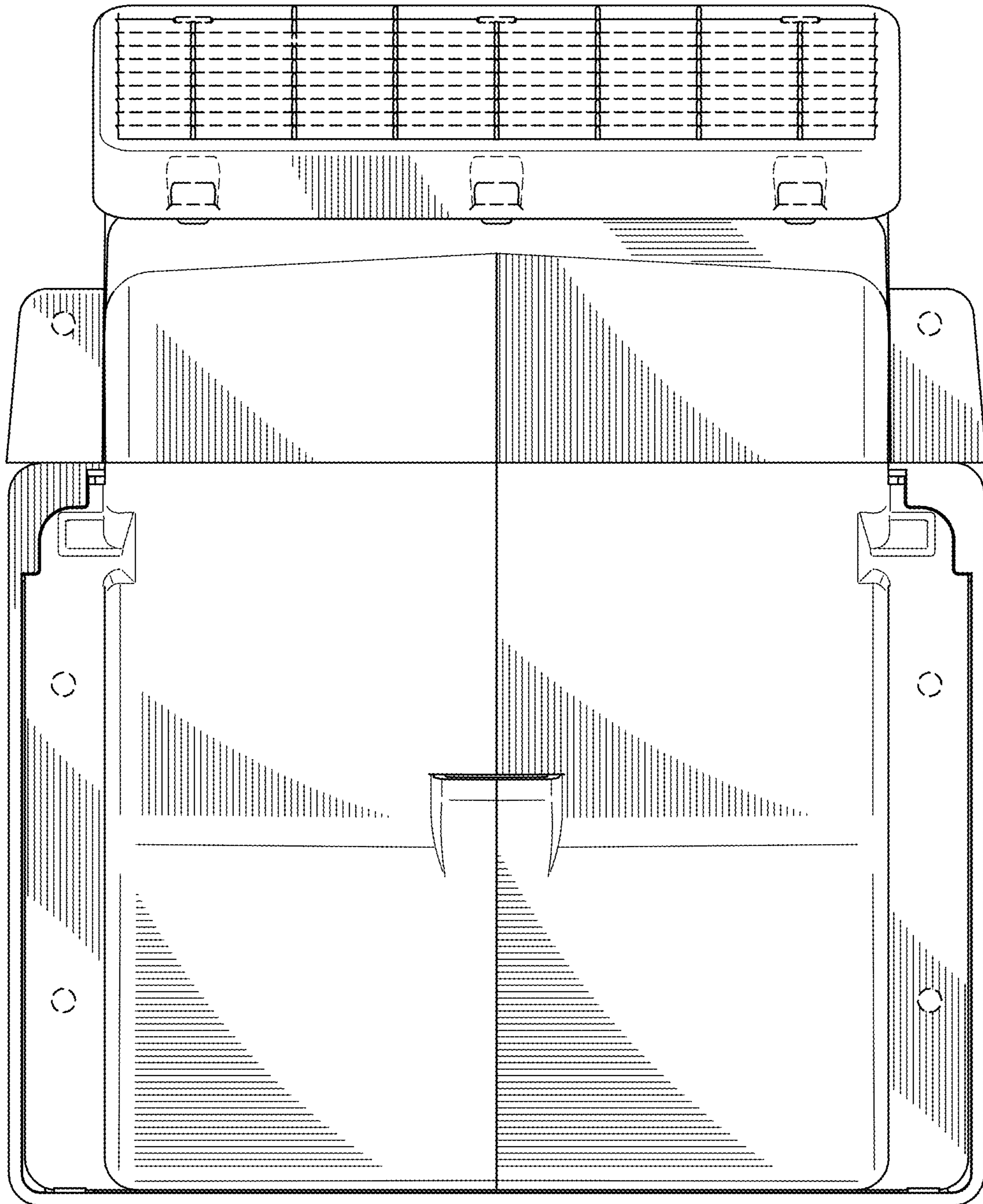


Fig. 10

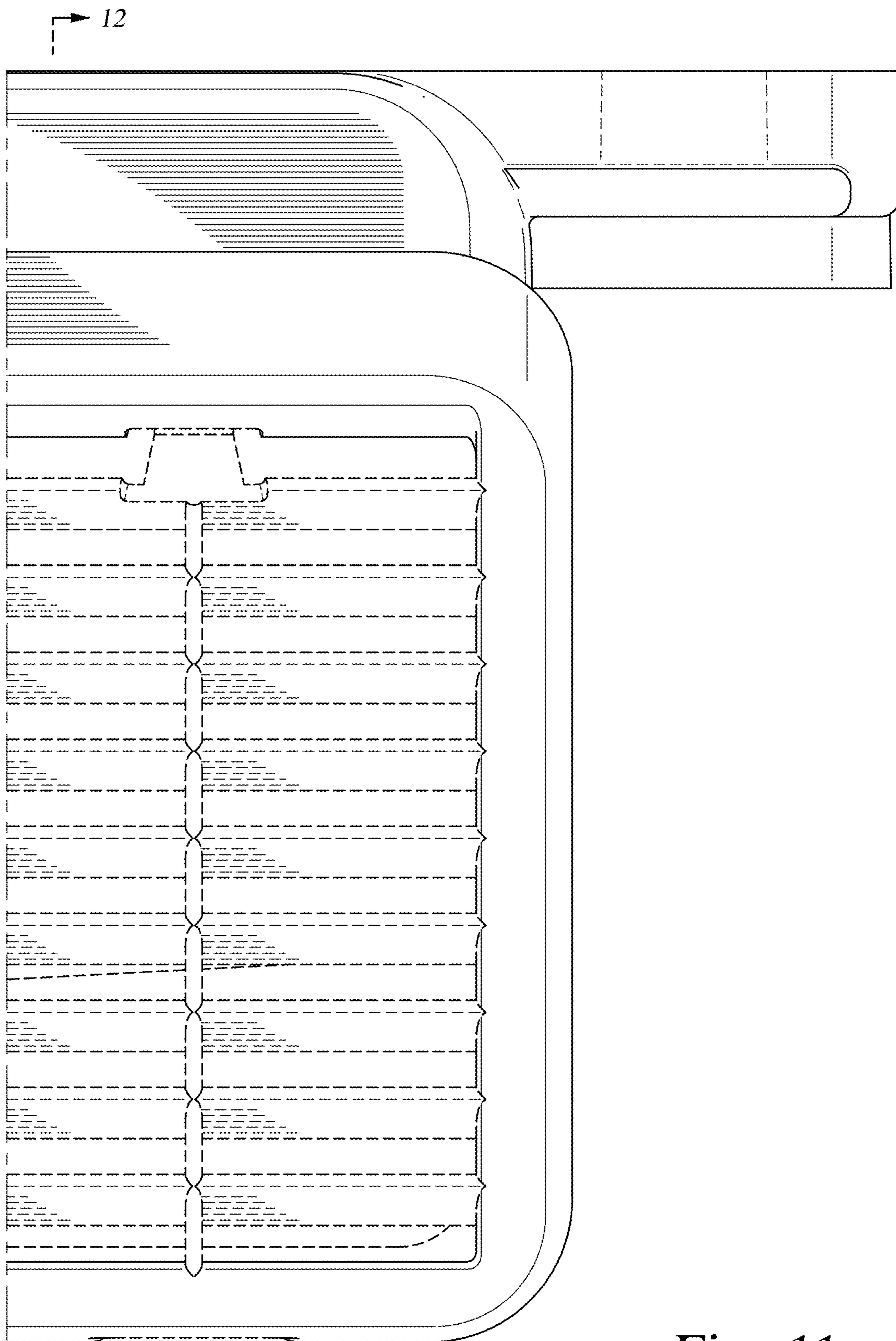


Fig. 11

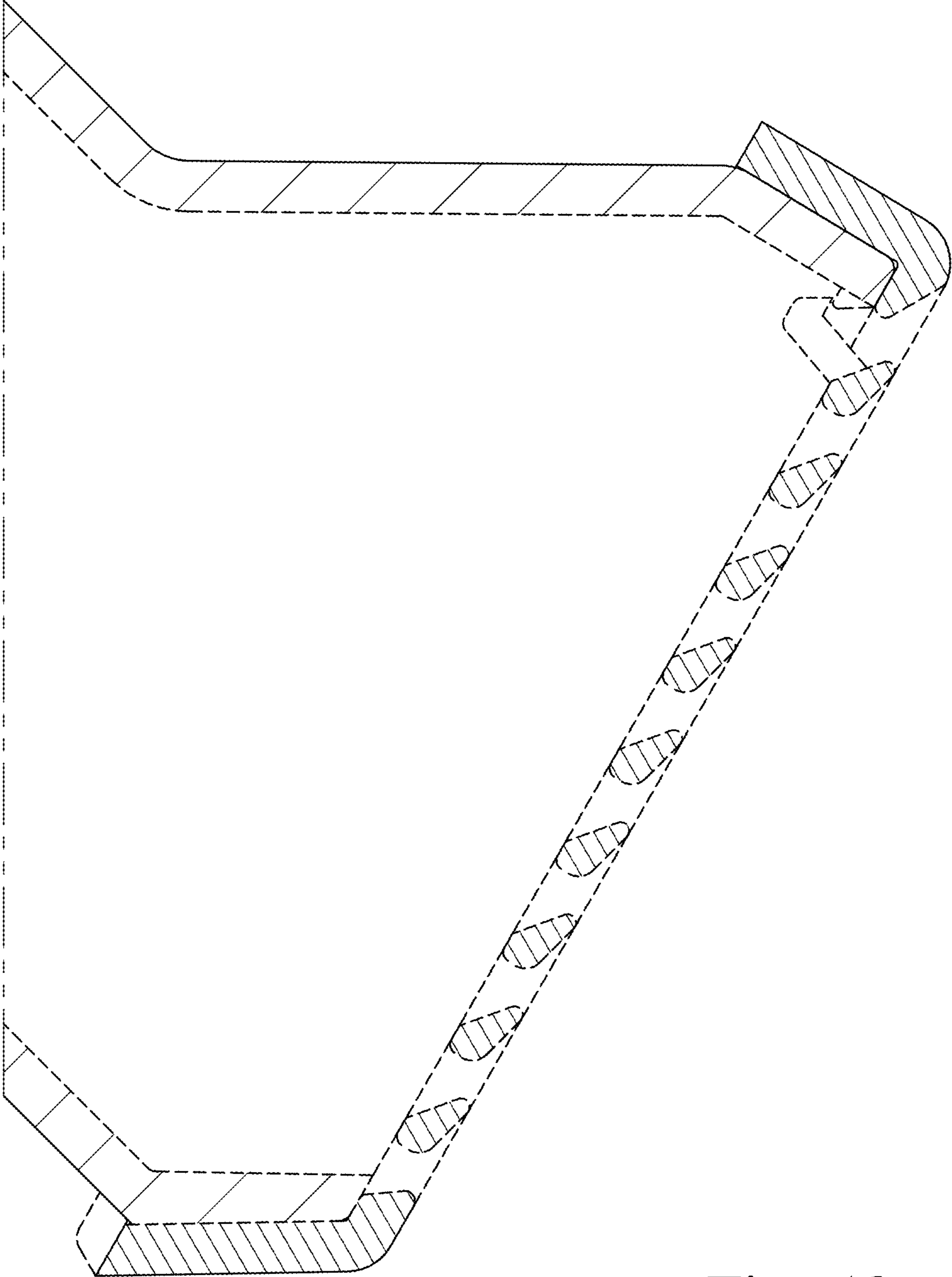


Fig. 12