



US00D918373S

(12) **United States Design Patent**
Urano

(10) **Patent No.:** **US D918,373 S**

(45) **Date of Patent:** **** May 4, 2021**

- (54) **AIR-CONDITIONING OUTLET**
- (71) Applicant: **KIMURA KOHKI CO., LTD.**, Osaka (JP)
- (72) Inventor: **Katsuhiko Urano**, Sakai (JP)
- (73) Assignee: **KIMURA KOHKI CO., LTD.**, Osaka (JP)

- D647,241 S * 10/2011 Takahashi D26/76
- D655,442 S * 3/2012 Sabernig D26/88
- D663,065 S * 7/2012 Beghelli D26/76
- D670,851 S * 11/2012 Tsai D26/76
- 8,348,481 B2 * 1/2013 Chang F21S 8/04
362/404
- D714,928 S * 10/2014 Urano D23/388
- D738,563 S * 9/2015 Martins D26/118
- D747,029 S * 1/2016 Reynolds D26/118

(Continued)

(**) Term: **15 Years**

FOREIGN PATENT DOCUMENTS

(21) Appl. No.: **29/665,007**

- CN 202303795 * 7/2012
- CN 204963119 * 1/2016

(22) Filed: **Sep. 28, 2018**

Primary Examiner — Kevin K Rudzinski

(30) **Foreign Application Priority Data**

(74) *Attorney, Agent, or Firm* — Alleman Hall Creasman & Tuttle LLP

May 24, 2018 (JP) 2018-011364

(51) **LOC (13) Cl.** **23-03**

(52) **U.S. Cl.**
USPC **D23/388**

(58) **Field of Classification Search**
USPC D23/388, 370, 389; D26/80, 118
CPC F21V 17/00
See application file for complete search history.

(57) **CLAIM**

The ornamental design for an air-conditioning outlet, as shown and described.

(56) **References Cited**

DESCRIPTION

U.S. PATENT DOCUMENTS

- 3,272,978 A * 9/1966 Jackson F21V 21/112
362/408
- D376,842 S * 12/1996 Franklin D23/314
- D382,048 S * 8/1997 Bennett D23/332
- D459,825 S * 7/2002 Field D26/80
- D543,652 S * 5/2007 Hargreaves D26/118
- D544,984 S * 6/2007 Hargreaves D26/76
- D544,987 S * 6/2007 Hargreaves D26/88
- D618,783 S * 6/2010 Kimura D23/388
- D619,699 S * 7/2010 Kimura D23/388
- D629,883 S * 12/2010 Kimura D23/388
- D632,419 S * 2/2011 Ng D26/78
- D634,060 S * 3/2011 Wardenburg D26/118

FIG. 1 is a front view of an ornamental design for an air-conditioning outlet showing my new design.

FIG. 2 is a left side view of the air-conditioning outlet of FIG. 1.

FIG. 3 is a right side view of the air-conditioning outlet of FIG. 1.

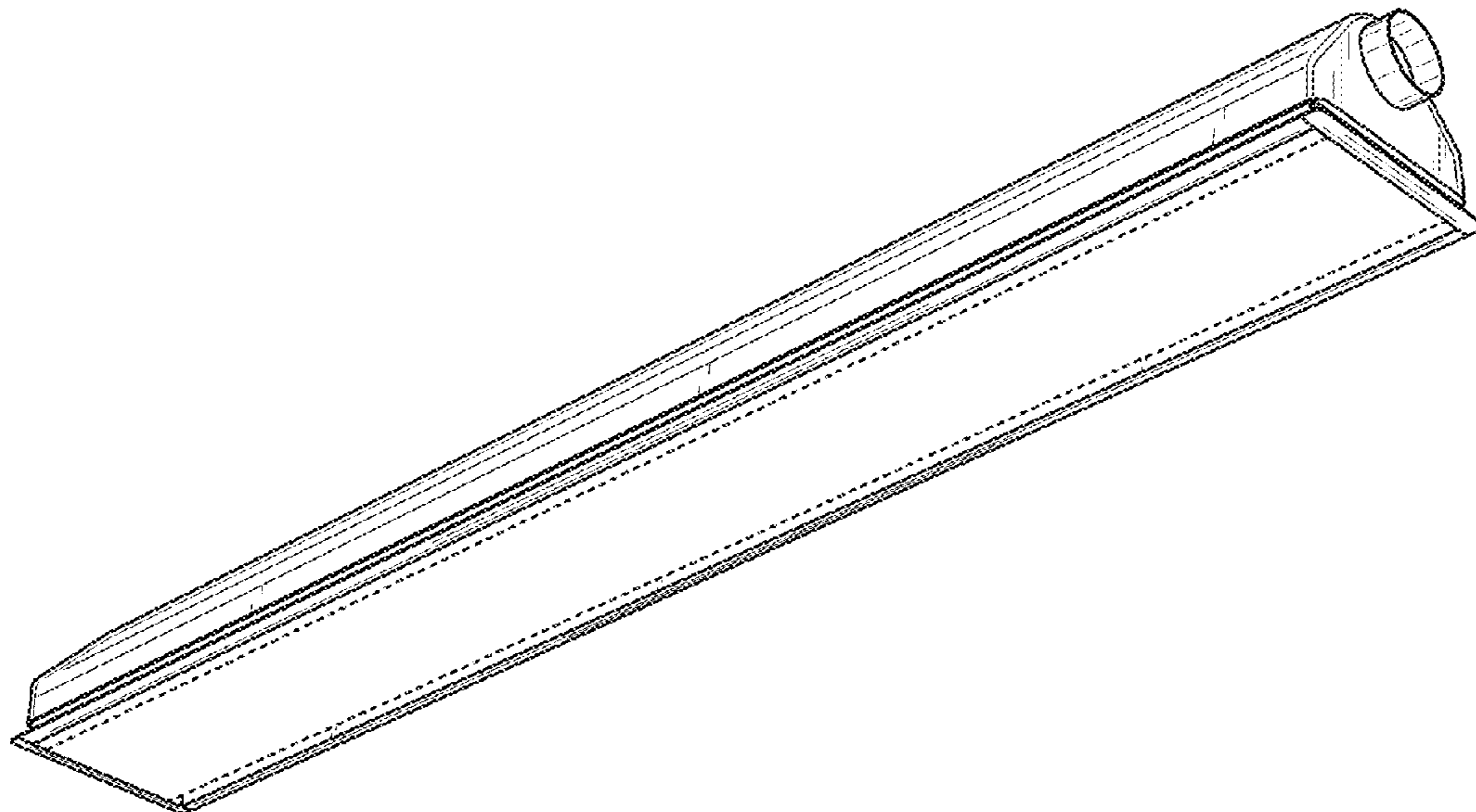
FIG. 4 is a top view of the air-conditioning outlet of FIG. 1.

FIG. 5 is a bottom view of the air-conditioning outlet of FIG. 1; and,

FIG. 6 is a perspective view of the air-conditioning outlet of FIG. 1.

The broken lines illustrating the radiation panel of the air-conditioning outlet form no part of the claimed design. The rear view is a mirror image of the front view and thus is omitted.

1 Claim, 3 Drawing Sheets



(56)

References Cited

U.S. PATENT DOCUMENTS

D748,850	S *	2/2016	Johnson	D26/118
9,279,550	B2 *	3/2016	Torabifard	F21K 9/65
D769,514	S *	10/2016	Reynolds	D26/118
D783,888	S *	4/2017	Reynolds	D26/118
D797,353	S *	9/2017	Stanley	D26/118
D804,706	S *	12/2017	Stanley	D26/118
D805,179	S *	12/2017	Urano	D23/388
D805,180	S *	12/2017	Urano	D23/388
D805,181	S *	12/2017	Urano	D23/388
D806,854	S *	1/2018	Urano	D23/388
D806,855	S *	1/2018	Urano	D23/388
D807,495	S *	1/2018	Hirsch	D23/393
D819,250	S *	5/2018	Ji	D26/76
D825,827	S *	8/2018	Stanley	D26/118
D836,815	S *	12/2018	Patterson	D26/76
D855,862	S *	8/2019	Verfuert	D26/76
D856,567	S *	8/2019	Verfuert	D26/76
D880,669	S *	4/2020	Urano	D23/351
D885,633	S *	5/2020	Patel	D26/76
D885,634	S *	5/2020	Bhavanbhai Patel	D26/76
10,731,803	B2 *	8/2020	Van Winkle	F21V 29/70
2008/0205030	A1 *	8/2008	Hargreaves	A01G 7/045 362/1
2009/0262540	A1 *	10/2009	Hargreaves	A01G 9/26 362/362
2012/0069582	A1 *	3/2012	Chang	F21V 29/507 362/371

* cited by examiner

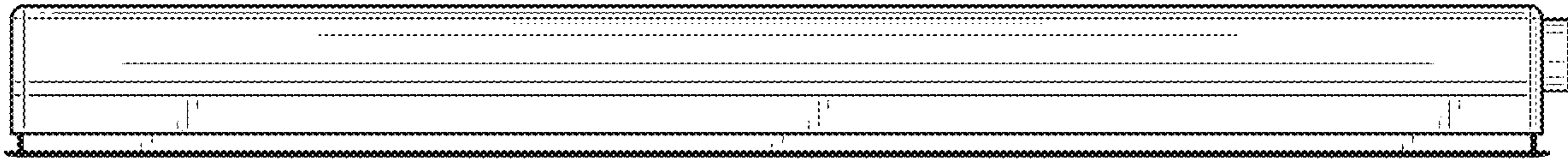


FIG. 1

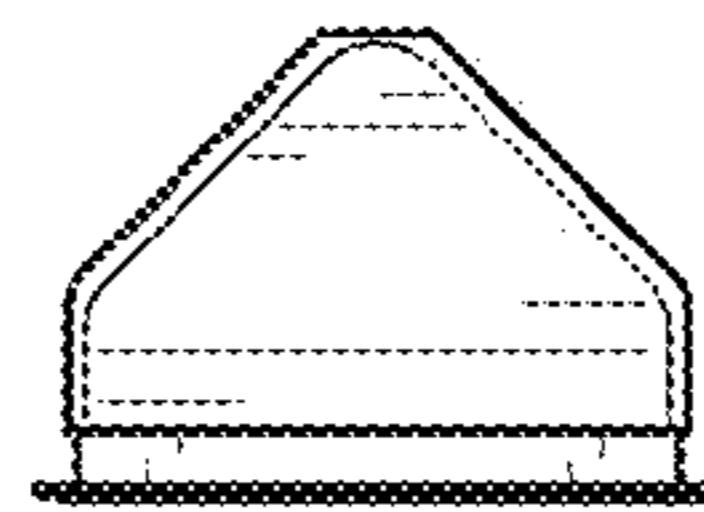


FIG. 2

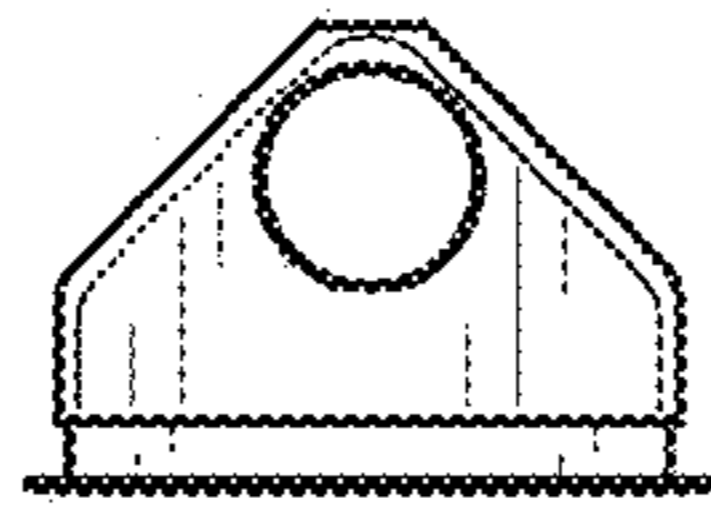


FIG. 3

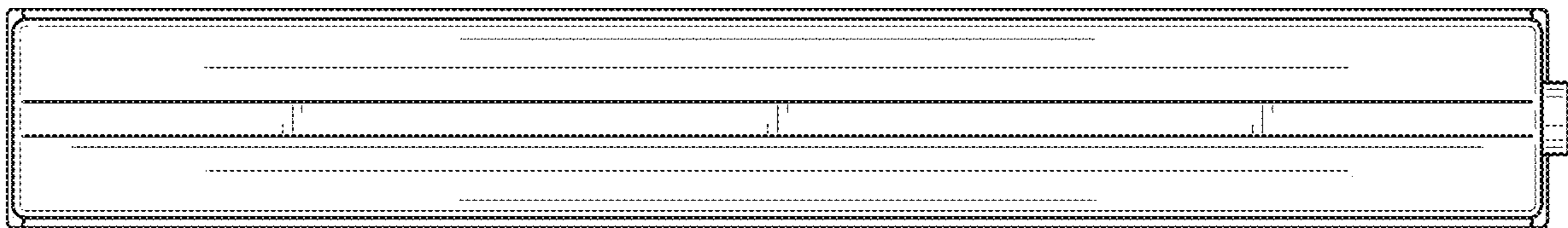


FIG. 4

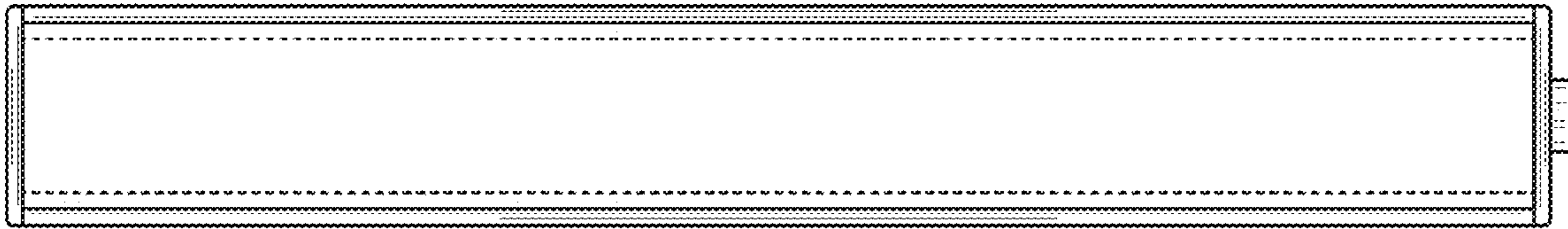


FIG. 5

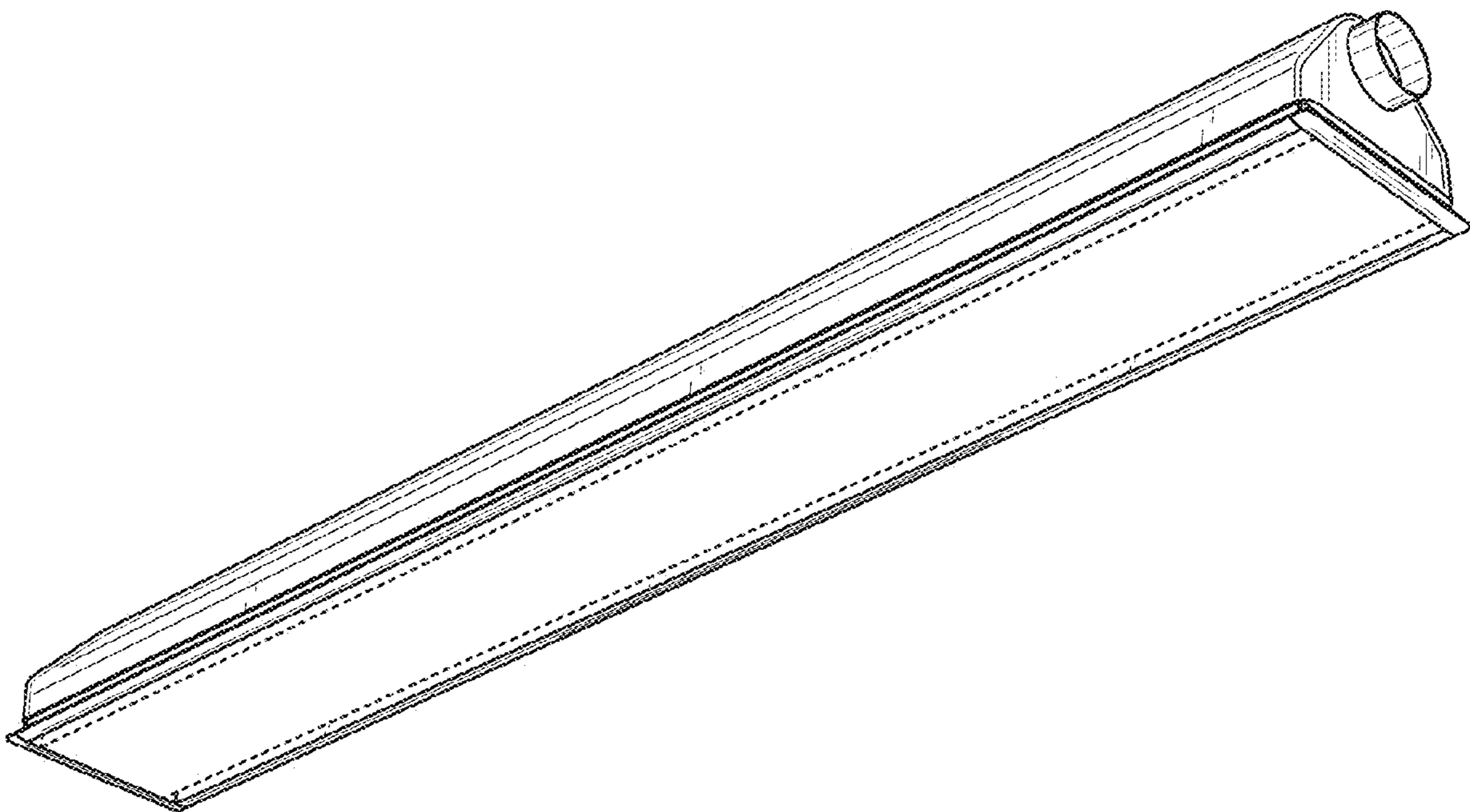


FIG. 6