



US00D918372S

(12) **United States Design Patent** (10) **Patent No.:** **US D918,372 S**
Holmes (45) **Date of Patent:** **** May 4, 2021**

(54) **CEILING FAN**
(71) Applicant: **Hunter Fan Company**, Memphis, TN (US)
(72) Inventor: **Christine Holmes**, Memphis, TN (US)
(73) Assignee: **Hunter Fan Company**, Memphis, TN (US)
(**) Term: **15 Years**

D549,813 S 8/2007 Gajewski
D556,939 S 12/2007 Gajewski
D567,421 S 4/2008 Pan
D570,022 S 5/2008 Ertze
D573,245 S 7/2008 Pan
D577,787 S 9/2008 Oldknow et al.
D594,540 S 6/2009 Pan
D627,048 S 11/2010 Shurtleff
D627,054 S 11/2010 Pan
D627,870 S 11/2010 Wang
D632,382 S 2/2011 Pan
D671,202 S 11/2012 Searle

(Continued)

(21) Appl. No.: **29/731,004**

(22) Filed: **Apr. 10, 2020**

Related U.S. Application Data

(60) Division of application No. 29/723,832, filed on Feb. 11, 2020, which is a continuation of application No. 29/582,627, filed on Oct. 28, 2016, now Pat. No. Des. 878,540.

(51) **LOC (13) Cl.** **23-04**

(52) **U.S. Cl.**
USPC **D23/377**

(58) **Field of Classification Search**
USPC D23/370, 377, 379, 385, 411; D26/59
CPC F04D 25/088; F21V 33/0096
See application file for complete search history.

(56) **References Cited**

U.S. PATENT DOCUMENTS

D297,360 S 8/1988 Cheslock
D363,362 S 10/1995 Davis, Sr.
D420,120 S 2/2000 Evans
D449,396 S 10/2001 Campbell
D483,463 S 12/2003 Tai
D485,349 S 1/2004 Burns
D530,440 S 10/2006 Wang
D532,104 S 11/2006 Pickett
D535,421 S 1/2007 Pickett
D549,319 S 8/2007 Shurtleff

OTHER PUBLICATIONS

<http://www.fanimation.com/products/index.php/fans/distinction-dc.html>, Item Specification for Fanimation Distinction DC, Accessed Oct. 27, 2016.

(Continued)

Primary Examiner — Janice Hallmark
(74) *Attorney, Agent, or Firm* — McGarry Bair PC

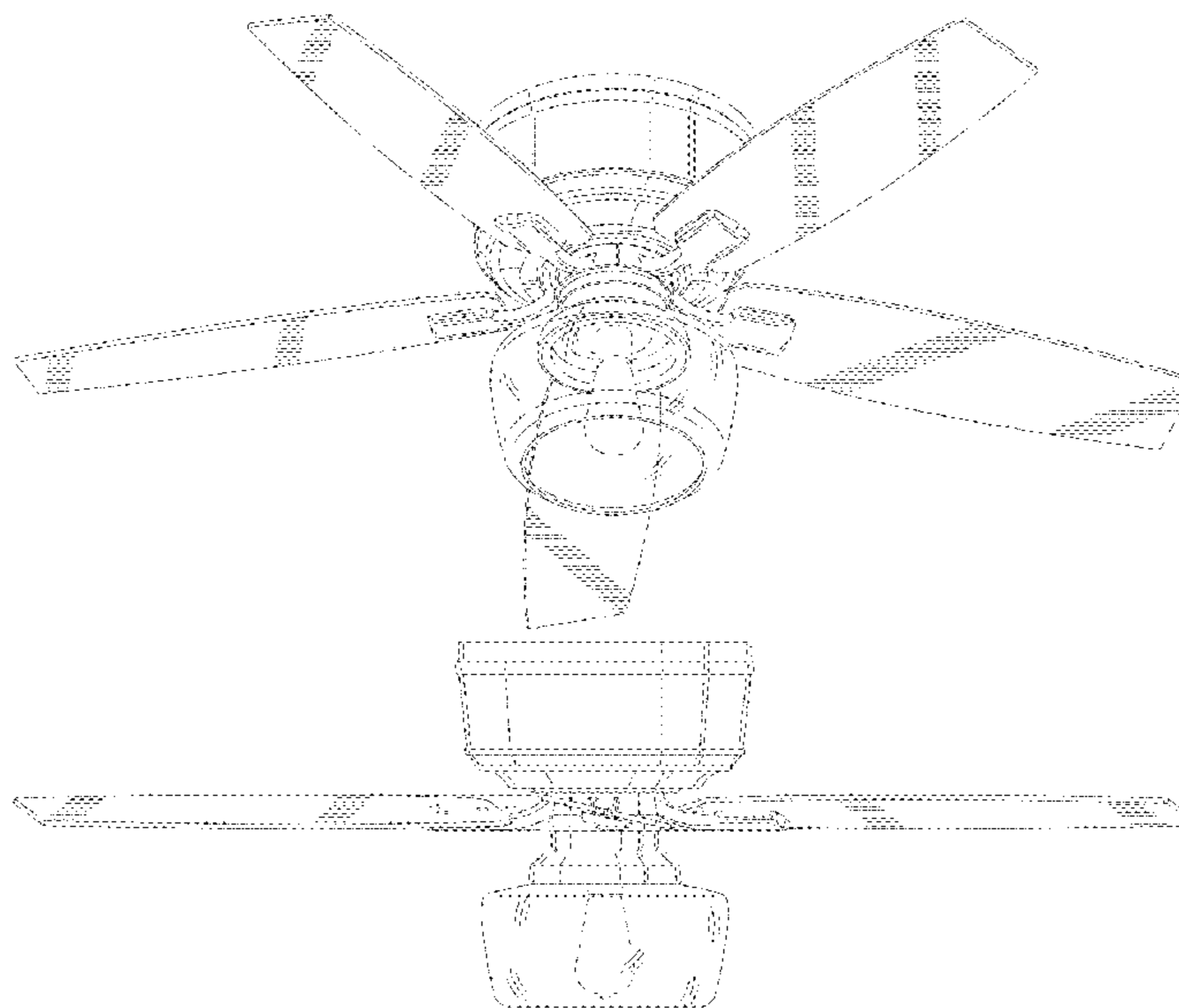
(57) **CLAIM**

The ornamental design for a ceiling fan, as shown and described.

DESCRIPTION

FIG. 1 is a top perspective view of a ceiling fan, showing my new design;
FIG. 2 is a bottom perspective view thereof;
FIG. 3 is a top view thereof
FIG. 4 is a bottom view thereof;
FIG. 5 is a front side view thereof;
FIG. 6 is a rear side view thereof;
FIG. 7 is a right side view thereof; and,
FIG. 8 is a left side view thereof.
Portions of the ceiling fan shown in broken lines form no part of the claimed design.

1 Claim, 8 Drawing Sheets



(56)

References Cited

U.S. PATENT DOCUMENTS

D671,631 S 11/2012 Searle
 D706,406 S 6/2014 Wang
 D707,344 S 6/2014 Wang
 D710,489 S 8/2014 Shurtleff
 D745,655 S 12/2015 Pickett et al.
 D804,632 S 12/2017 Holmes
 D806,852 S 1/2018 Holmes
 D810,912 S 2/2018 McRoberts
 D810,918 S 2/2018 Holmes
 D827,805 S 9/2018 Biancuzzo
 D827,806 S 9/2018 Biancuzzo
 D834,173 S 11/2018 Holmes
 D840,018 S 2/2019 Badarello
 D861,153 S 9/2019 Chen et al.
 D872,250 S * 1/2020 Holmes D23/377
 D874,636 S * 2/2020 Holmes Bradley D23/377
 D878,540 S * 3/2020 Holmes D23/377

D885,552 S * 5/2020 Holmes D23/377
 D893,012 S * 8/2020 Holmes Bradley D23/377
 2017/0045197 A1 2/2017 Rossi

OTHER PUBLICATIONS

http://www.cens.com/cens/html/en/product/product_main_77129.html, Item Specification for Aquarius—champagne light series, Accessed Oct. 27, 2016.
<http://www.hunterfan.com/ceiling-fans/estate-winds>, Item Specification for Hunter Estate Wind—56" Ceiling Fan, Accessed Oct. 27, 2016.
<http://www.kingoffans.com/#/products>, Item Specification for Hampton Bay Carlisle 52" Ceiling Fan, Accessed Oct. 27, 2016.
<http://ceilingfans.emerson.com/shop/en/fan/veloce-fan-p-cf230>, Item Specification for Emerson Veloce 46" Ceiling Fan, Accessed Oct. 27, 2016.
<http://www.craftmade.com/Craftmade-PUH52OB-Oiled-Bronze-Flush-Mount-Ceiling-Fan.HTM>, Item Specification for Craftmade PUH52OB—Pro Universal Hugger, Accessed Oct. 27, 2016.

* cited by examiner

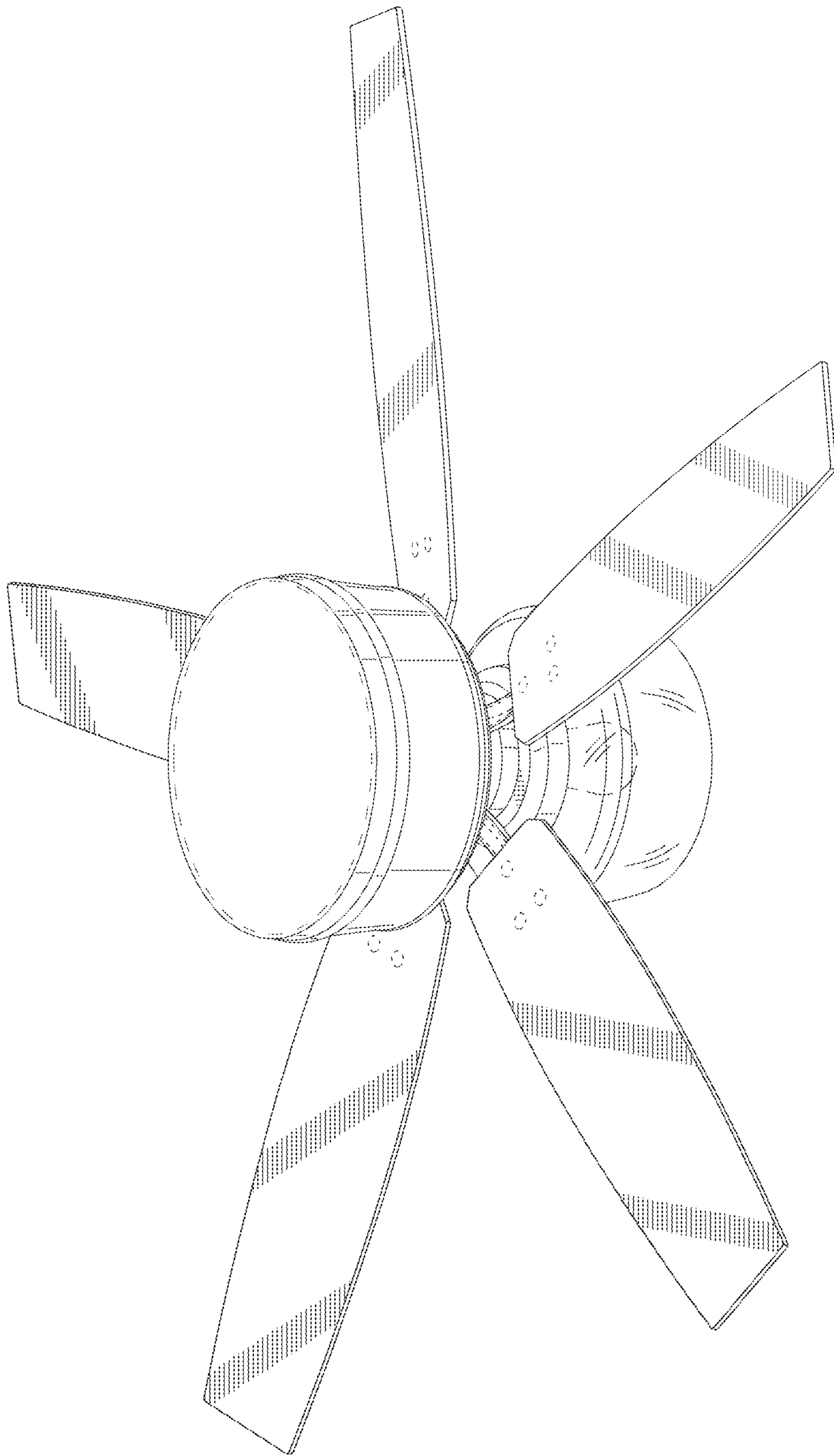


FIG. 1

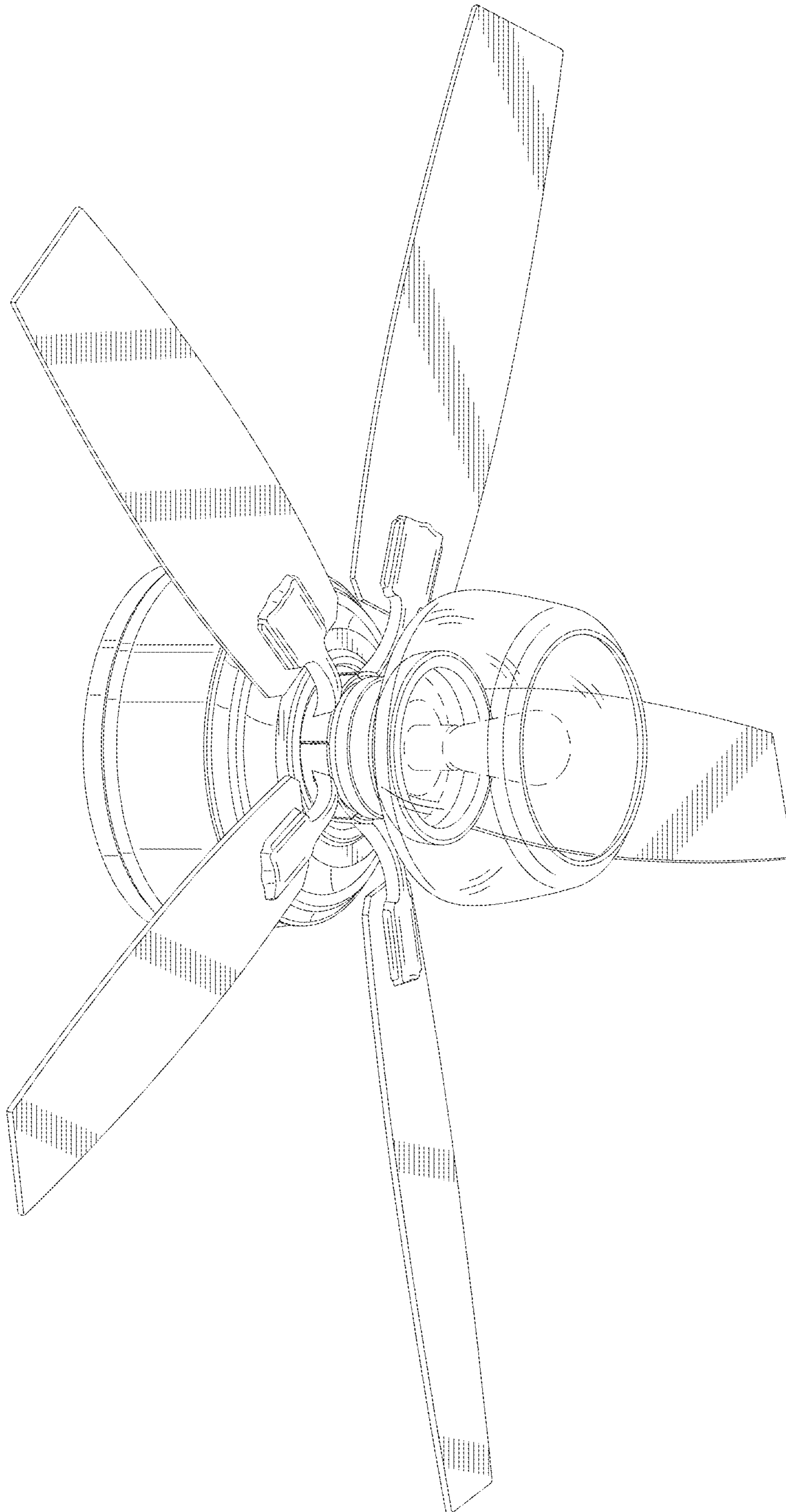


FIG. 2

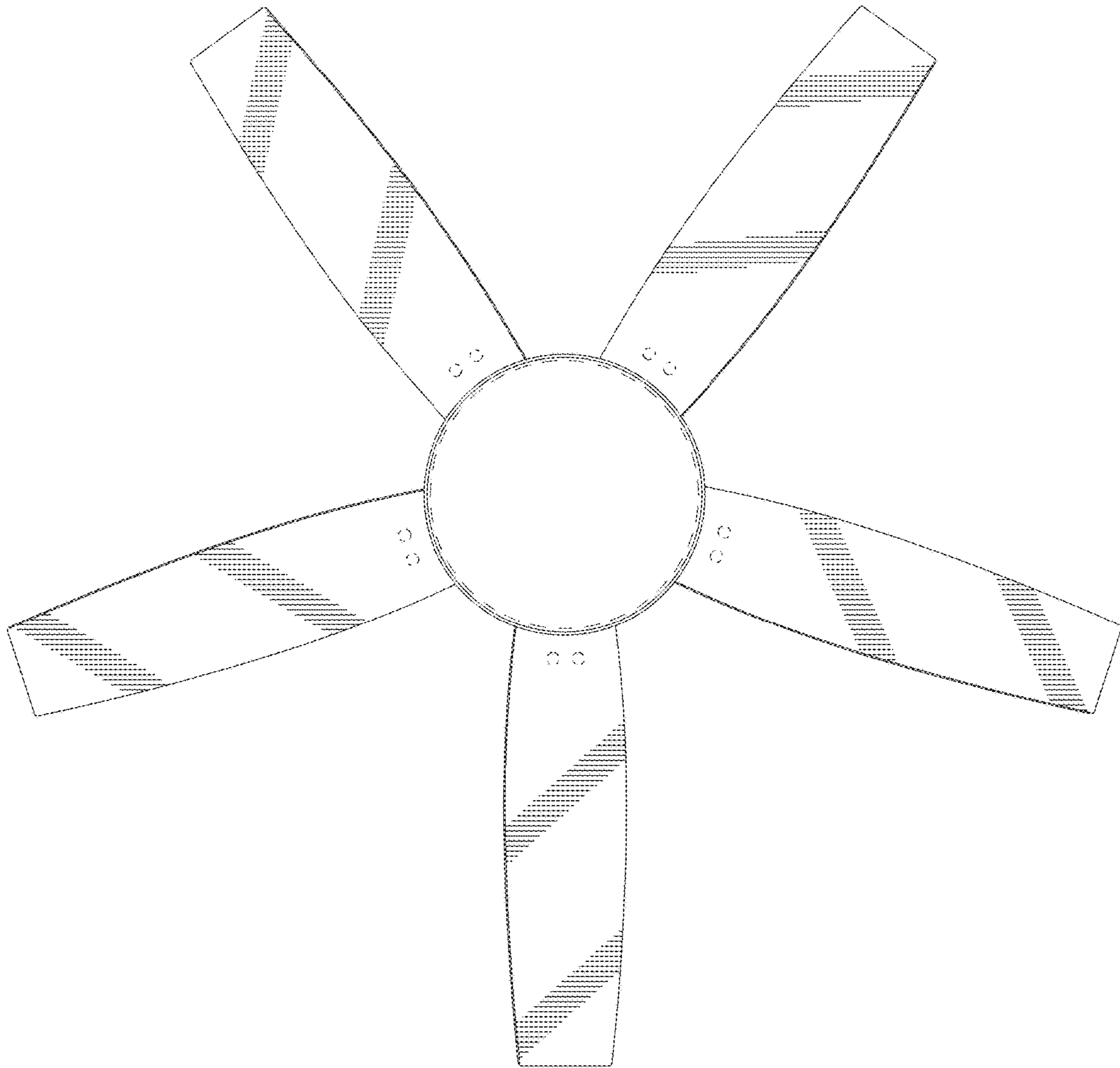


FIG. 3

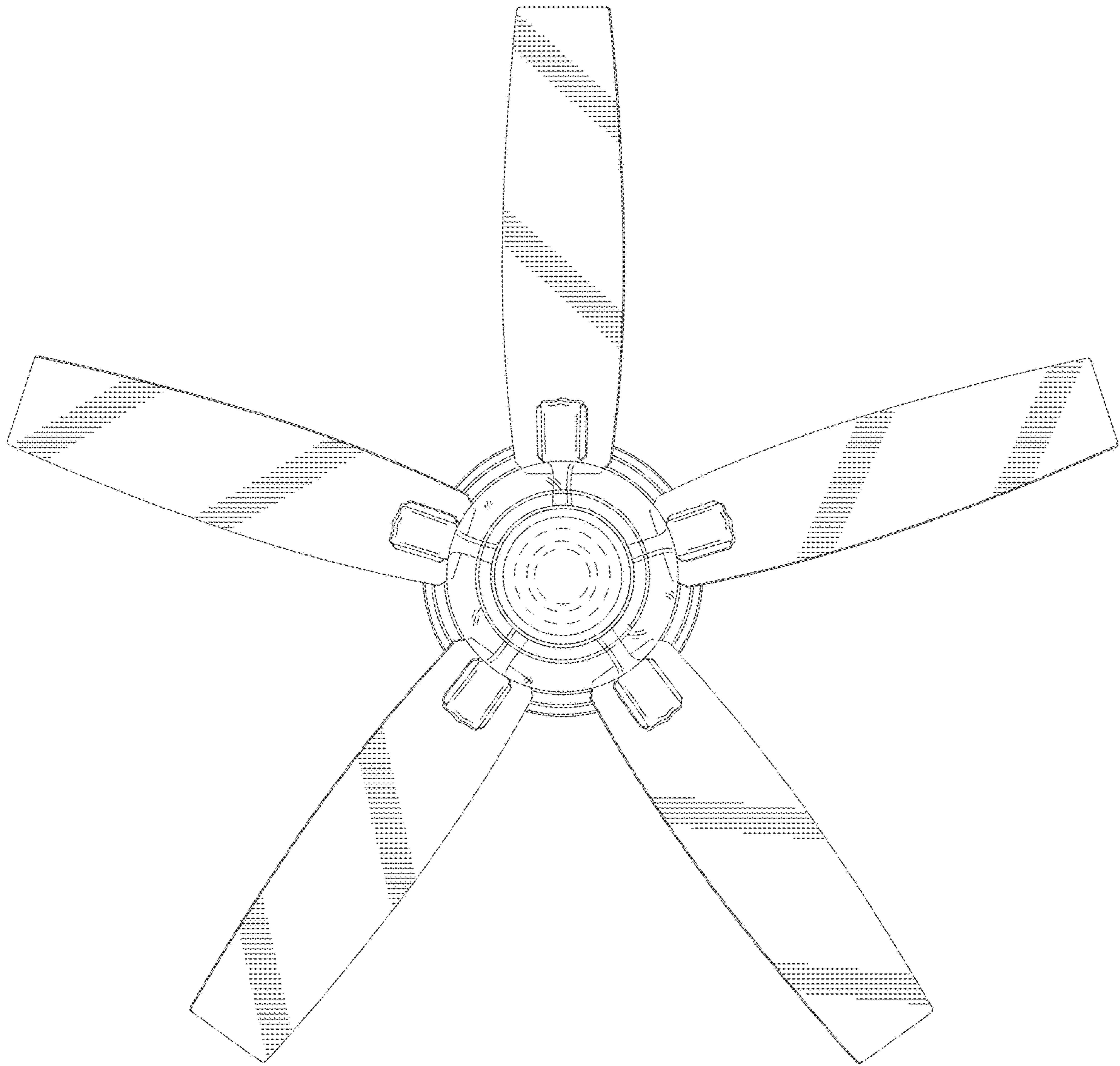


FIG. 4

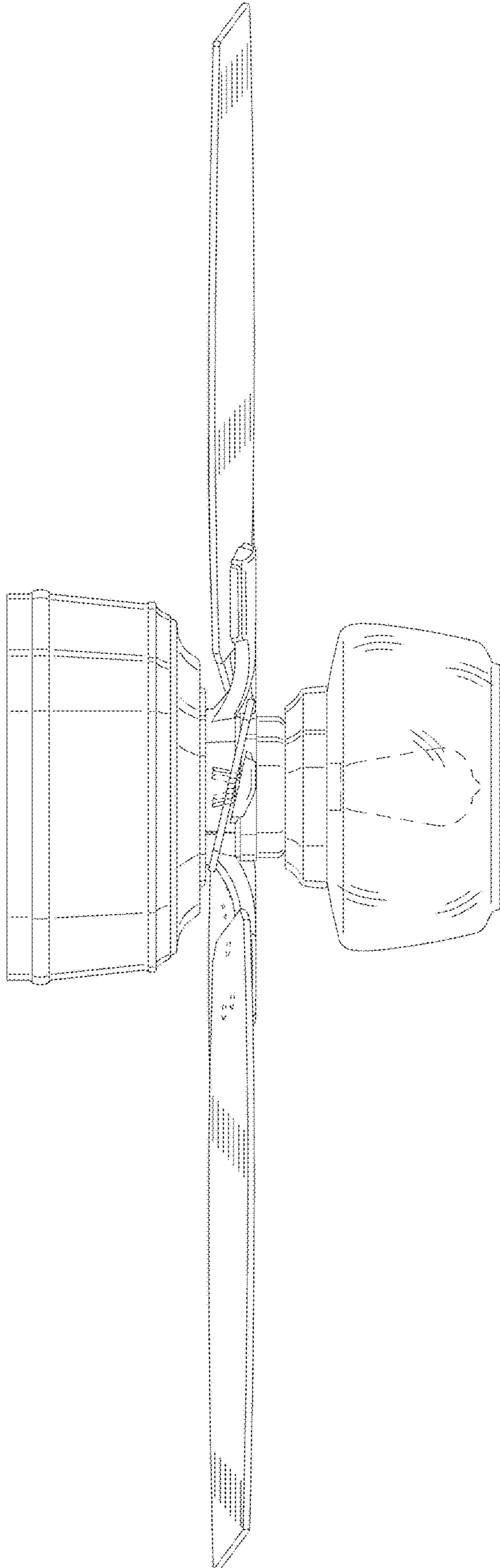


FIG. 5

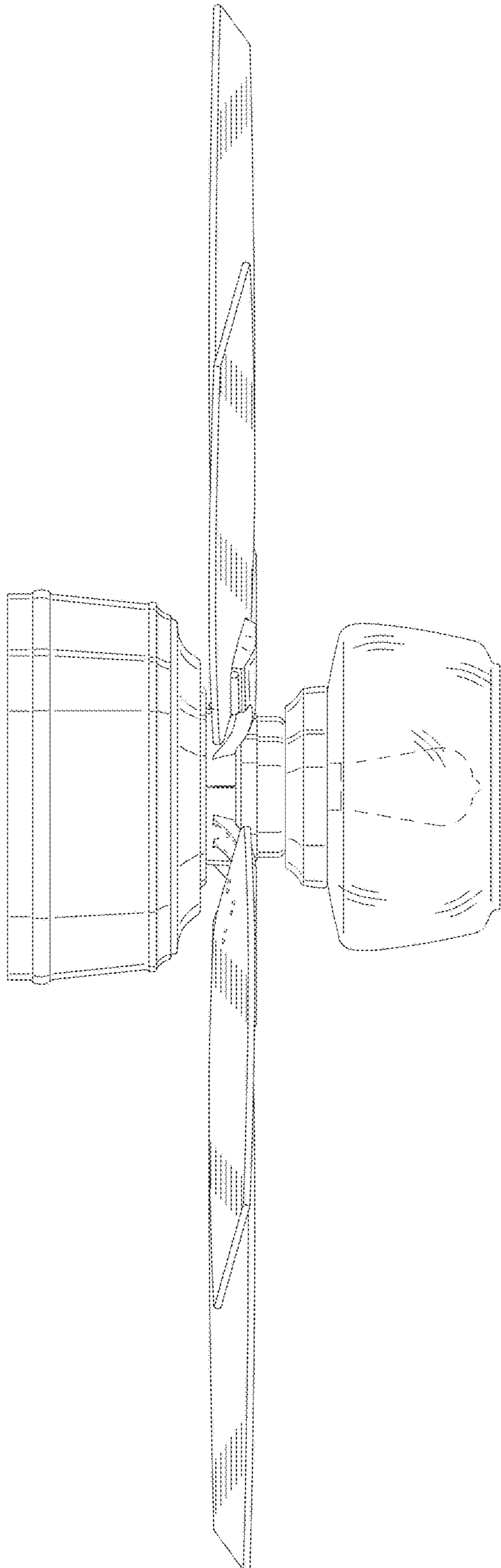


FIG. 6

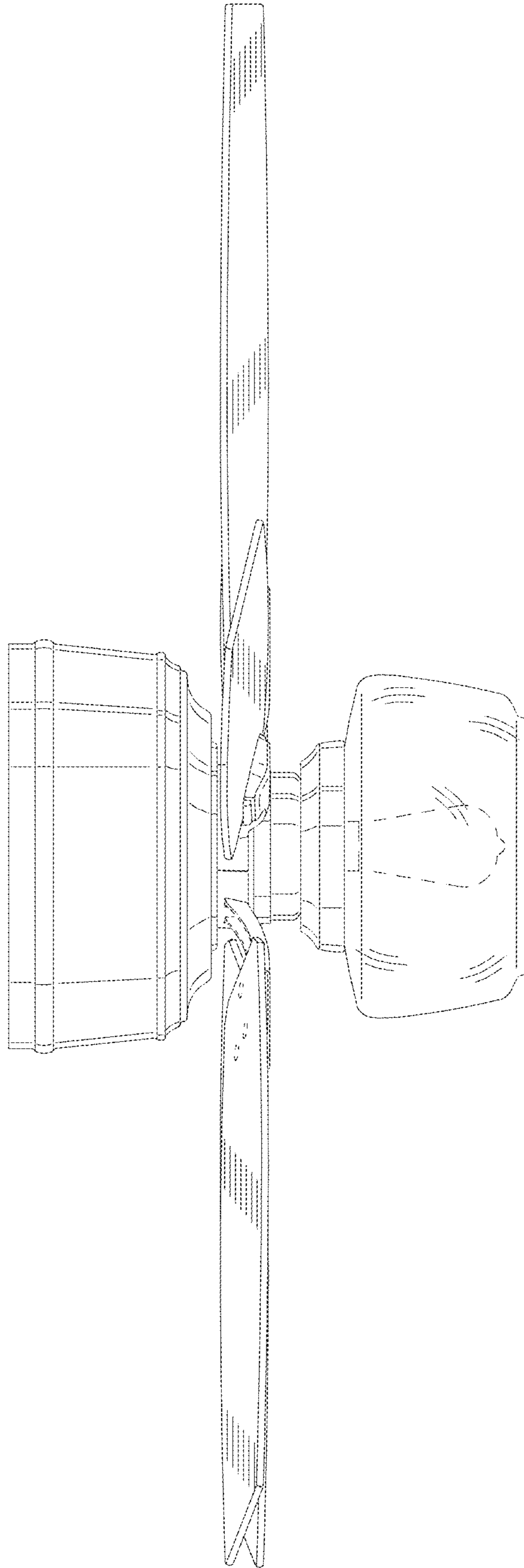


FIG. 7

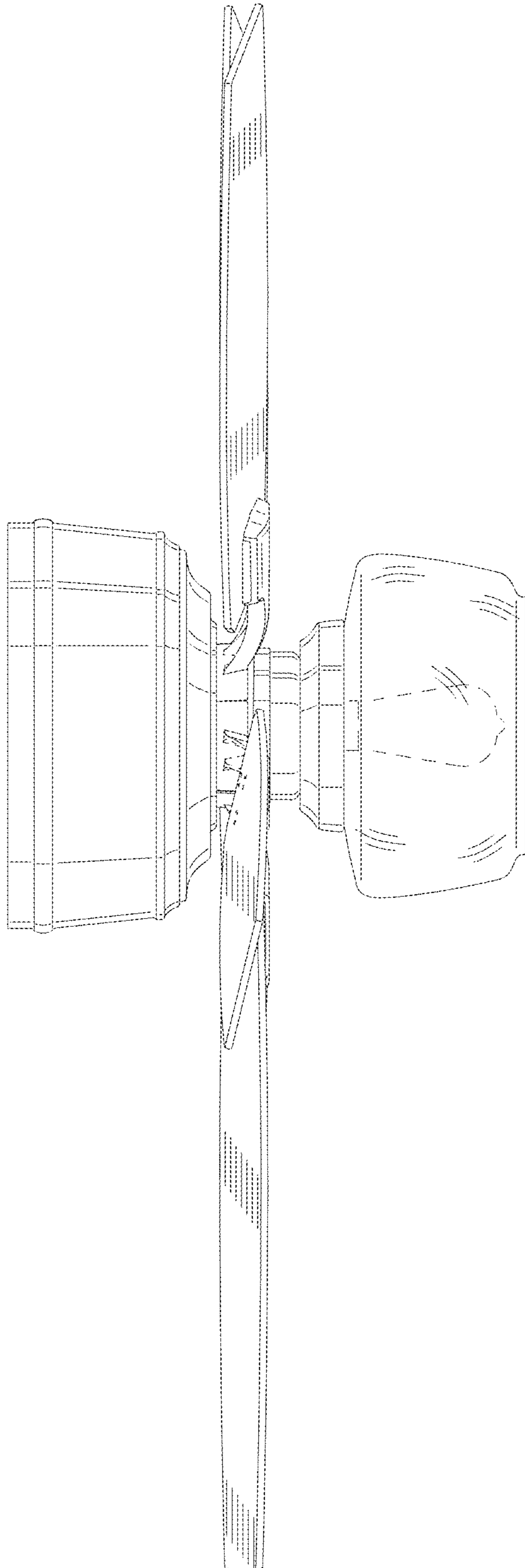


FIG. 8