



US00D918371S

(12) **United States Design Patent**
Zeng

(10) **Patent No.:** **US D918,371 S**

(45) **Date of Patent:** **** May 4, 2021**

(54) **AIR PURIFIER**

(71) Applicant: **Dongguan Hongyuan Purification Equipment Co., Ltd.**, Guangdong Province (CN)

(72) Inventor: **Xiaoyi Zeng**, Hunan (CN)

(**) Term: **15 Years**

(21) Appl. No.: **29/759,126**

(22) Filed: **Nov. 20, 2020**

(51) **LOC (13) Cl.** **23-04**

(52) **U.S. Cl.**
USPC **D23/364**

(58) **Field of Classification Search**
USPC D23/355–366, 352, 369, 332, 333, 335, D23/336, 342, 351; 422/120, 122; 96/97; 261/DIG. 17, DIG. 65, DIG. 88, 261/DIG. 31
CPC .. A61L 9/16; A61L 9/22; B01D 47/00; B01D 47/027; B01D 2221/02; B01D 2259/4508; B03C 3/155; B03C 3/368; F24F 3/16; F24F 13/20; F24F 13/28
See application file for complete search history.

(56) **References Cited**

U.S. PATENT DOCUMENTS

D755,942 S *	5/2016	Kim	D23/364
D791,297 S *	7/2017	Ljungstrom	D23/364
D837,355 S *	1/2019	Gunnfur	D23/364
D849,222 S *	5/2019	Gobber	D23/366
D852,344 S *	6/2019	Hua	D23/364

D862,673 S *	10/2019	Tang	D23/364
D865,148 S *	10/2019	Yoon	D23/364
D865,930 S *	11/2019	Bradley	D23/356
D877,875 S *	3/2020	Shin	D23/364
D900,290 S	10/2020	Shin et al.		
D903,073 S *	11/2020	Li	D23/333
D905,840 S *	12/2020	Cao	D23/364
D906,501 S *	12/2020	Lim	D23/364
D908,855 S *	1/2021	Ediger	D23/364

* cited by examiner

Primary Examiner — David G Muller

(57) **CLAIM**

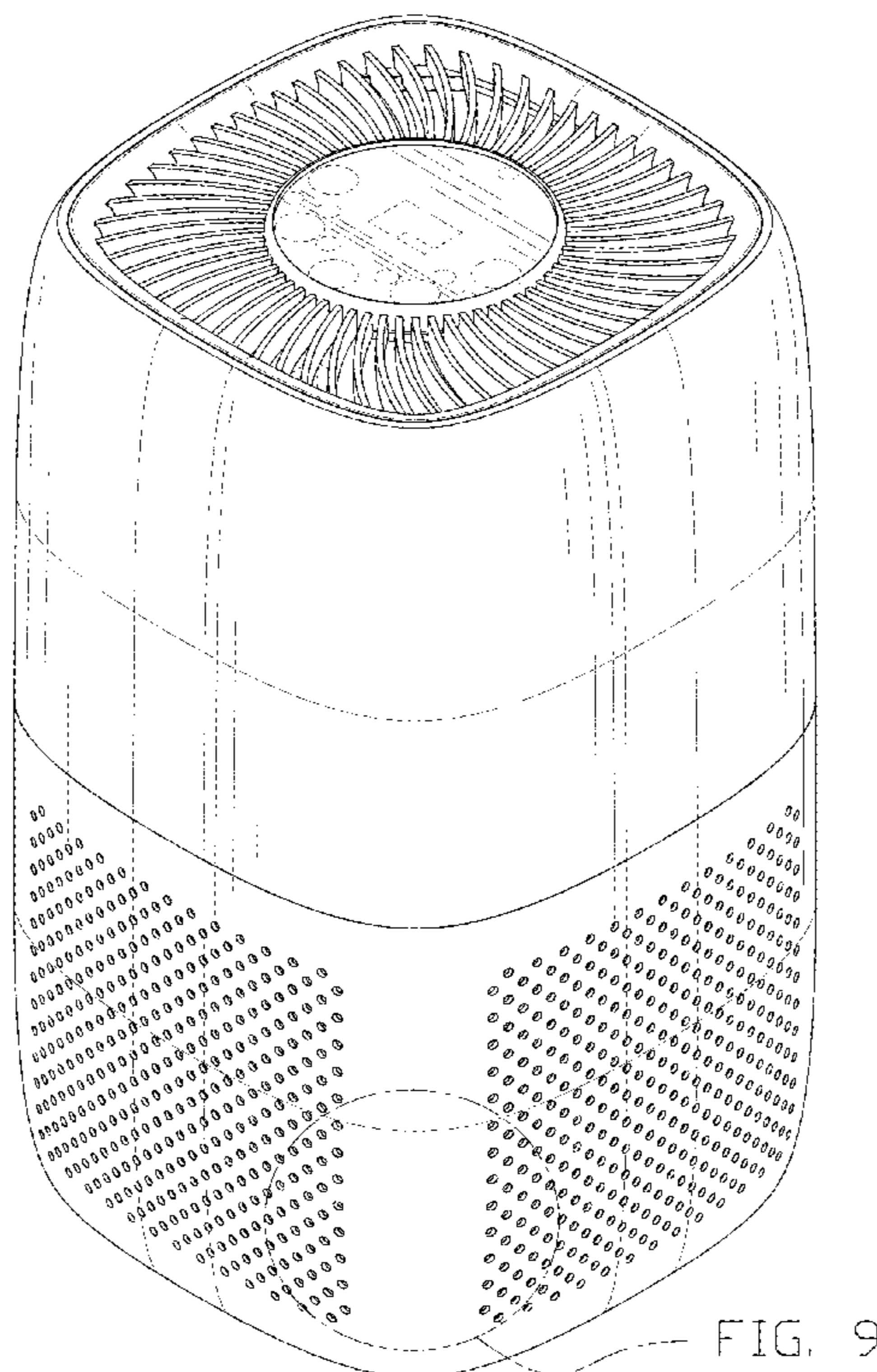
The ornamental design for an air purifier, as shown and described.

DESCRIPTION

FIG. 1 is a front and top perspective view of an air purifier, showing my new design;
FIG. 2 is a rear and bottom perspective view thereof;
FIG. 3 is a front elevational view thereof;
FIG. 4 is a rear elevational view thereof;
FIG. 5 is a left side elevational view thereof;
FIG. 6 is a right side elevational view thereof;
FIG. 7 is a top plan view thereof;
FIG. 8 is a bottom plan view thereof; and,
FIG. 9 is an enlarged view of a portion labeled, 'FIG. 9' in FIG. 1.

The broken lines in the figures illustrate portions of the air purifier that form no part of the claimed design. The dash dot dash lines in FIGS. 1 and 9 are for the purpose of depicting the cut line of the enlarged view and form no part of the claim.

1 Claim, 9 Drawing Sheets



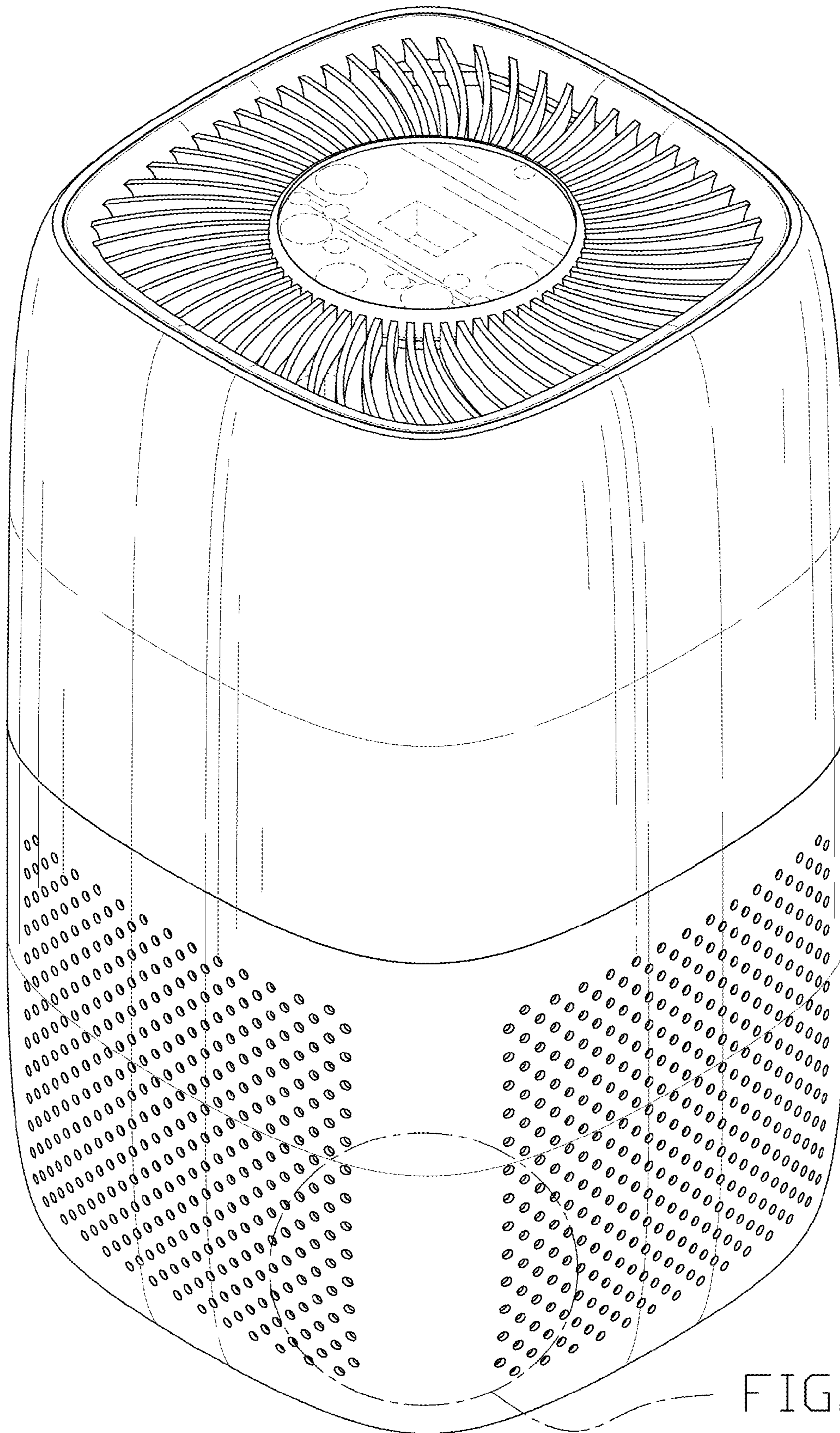


FIG. 1

FIG. 9

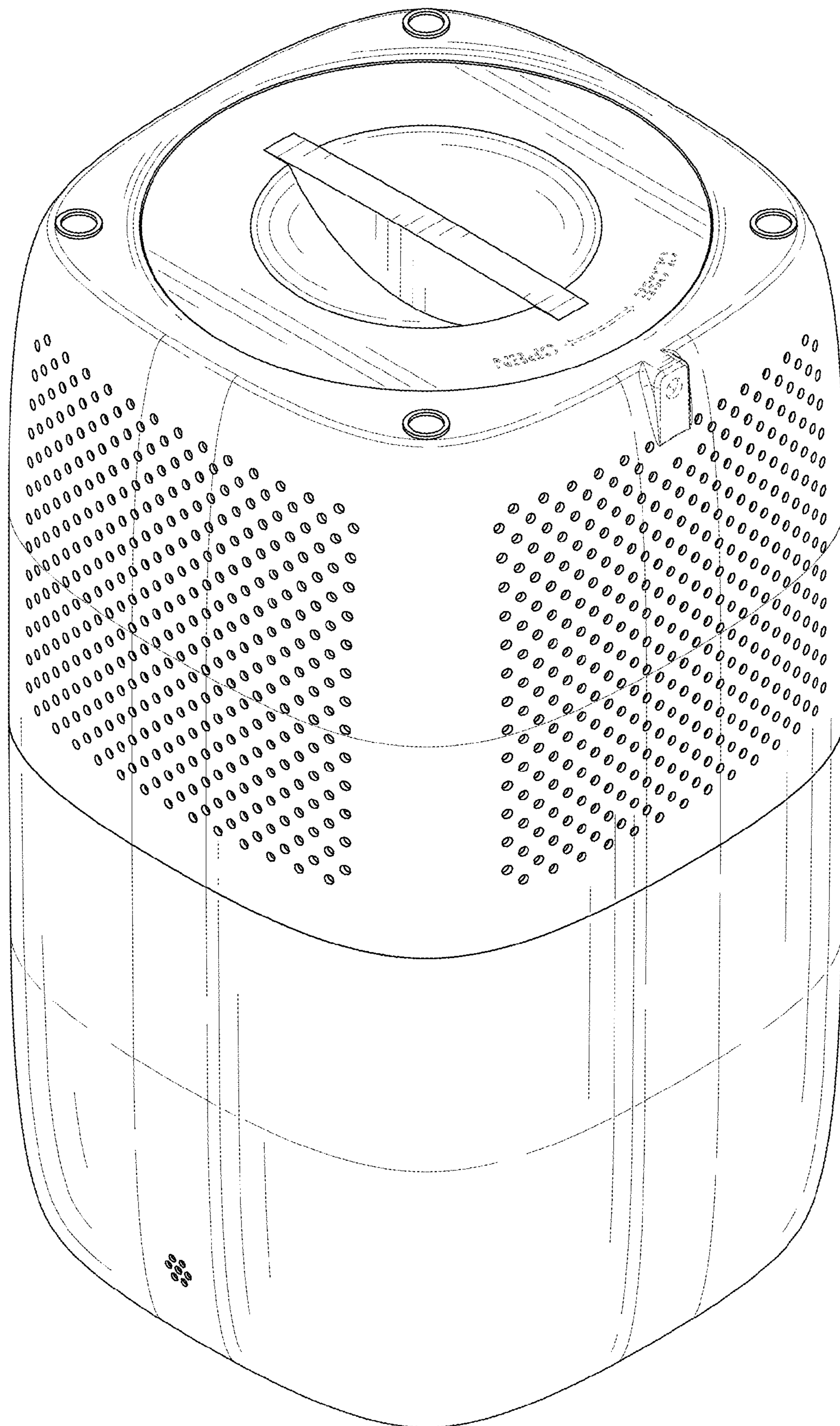


FIG. 2

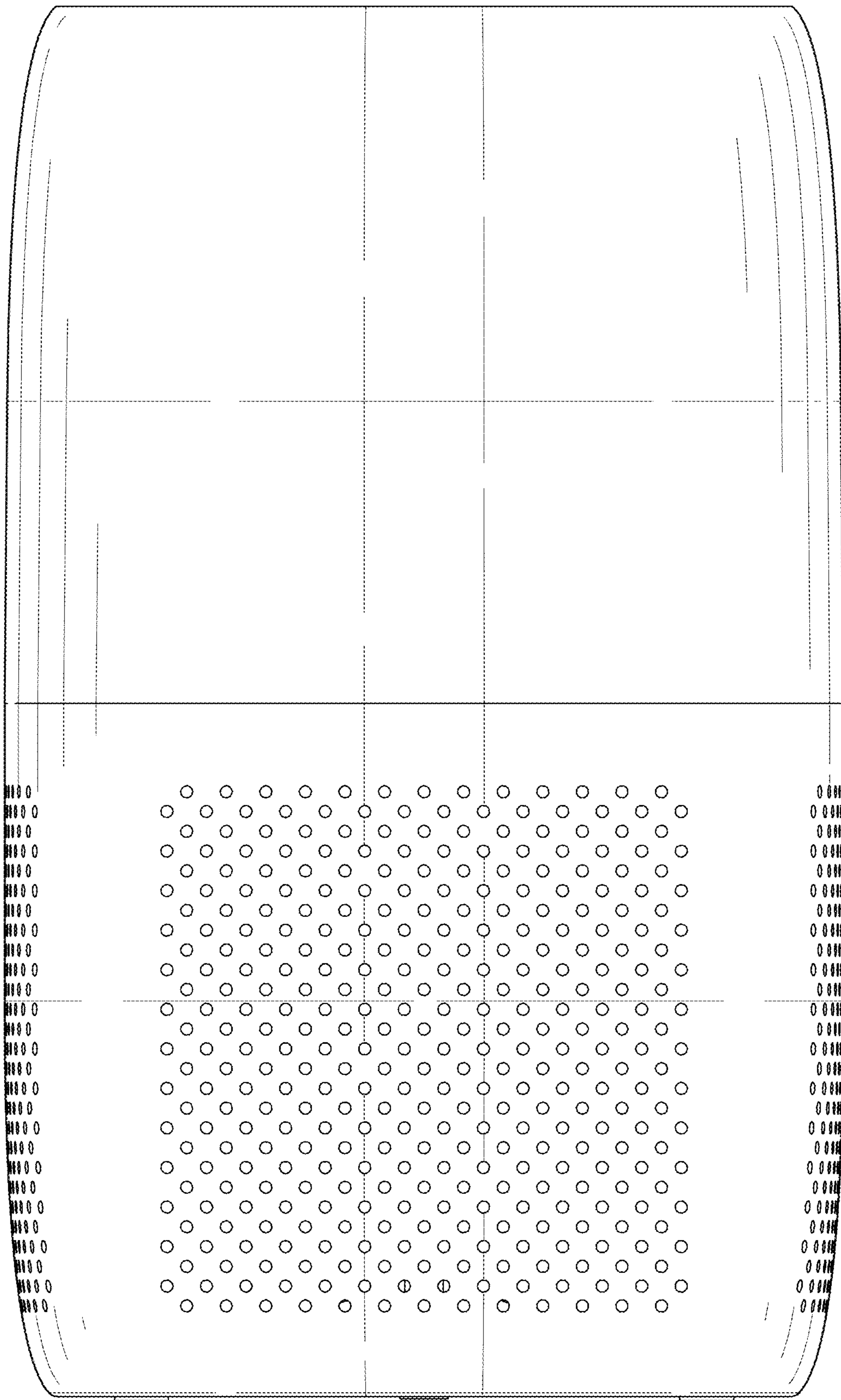


FIG. 3

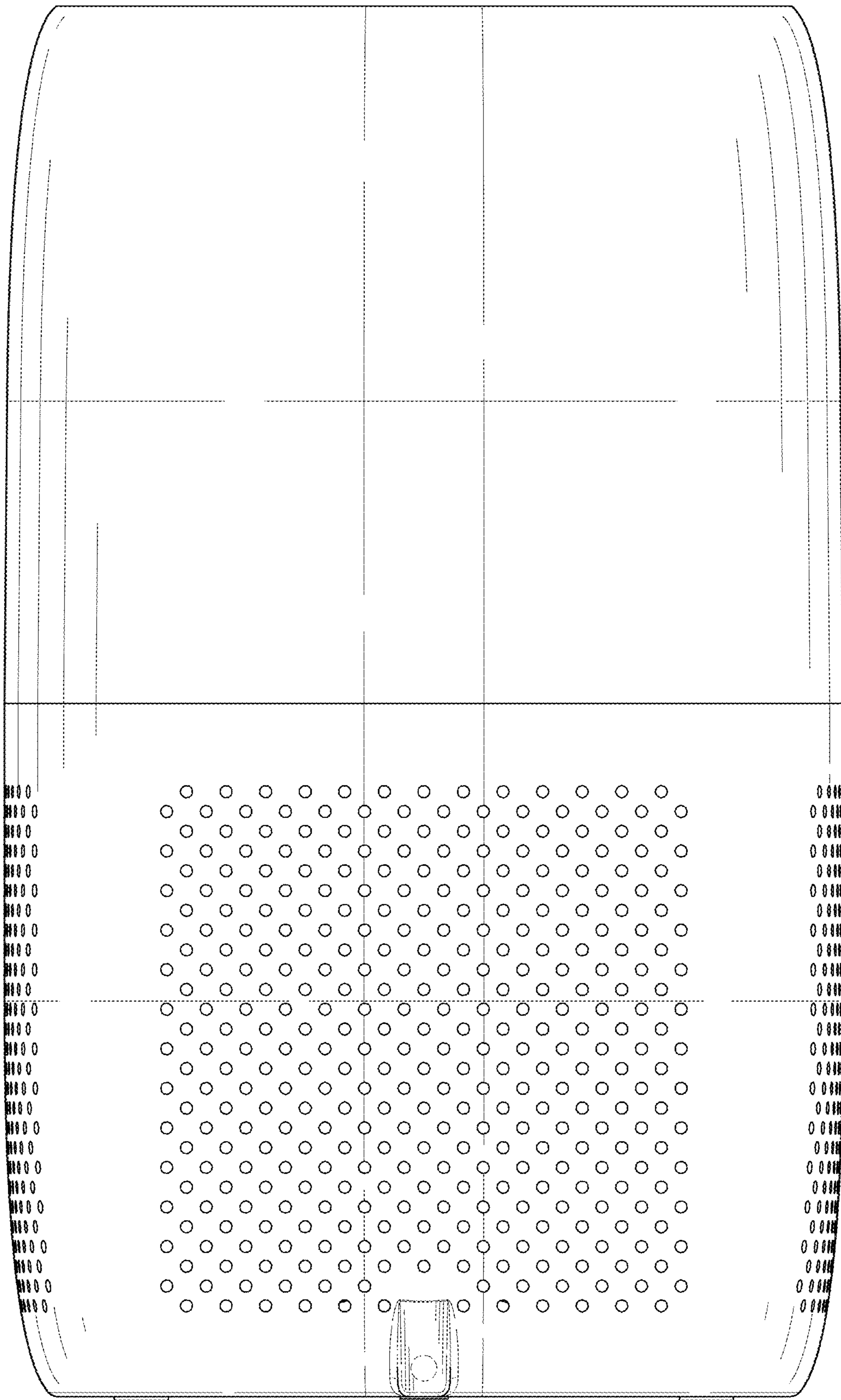


FIG. 4

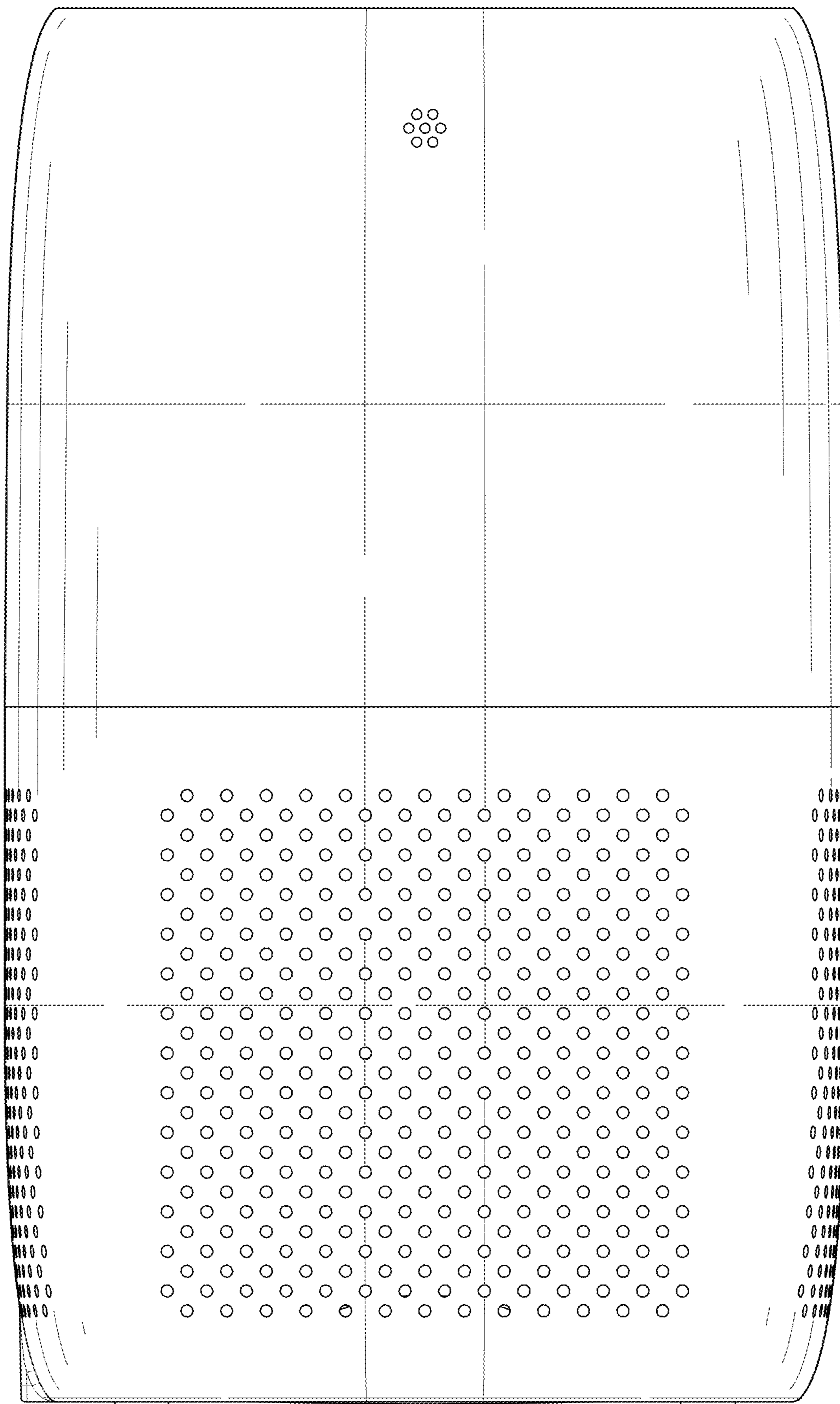


FIG. 5

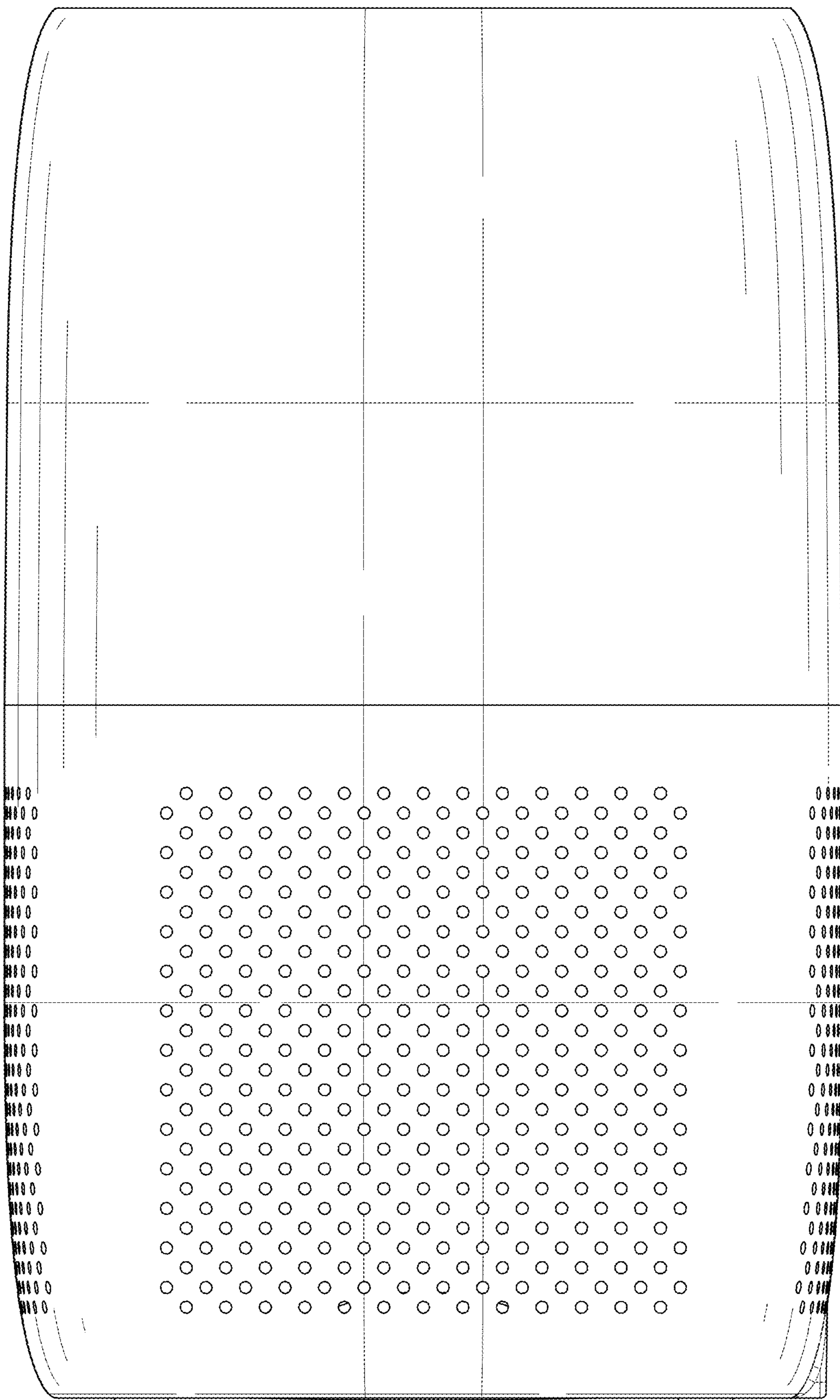


FIG. 6

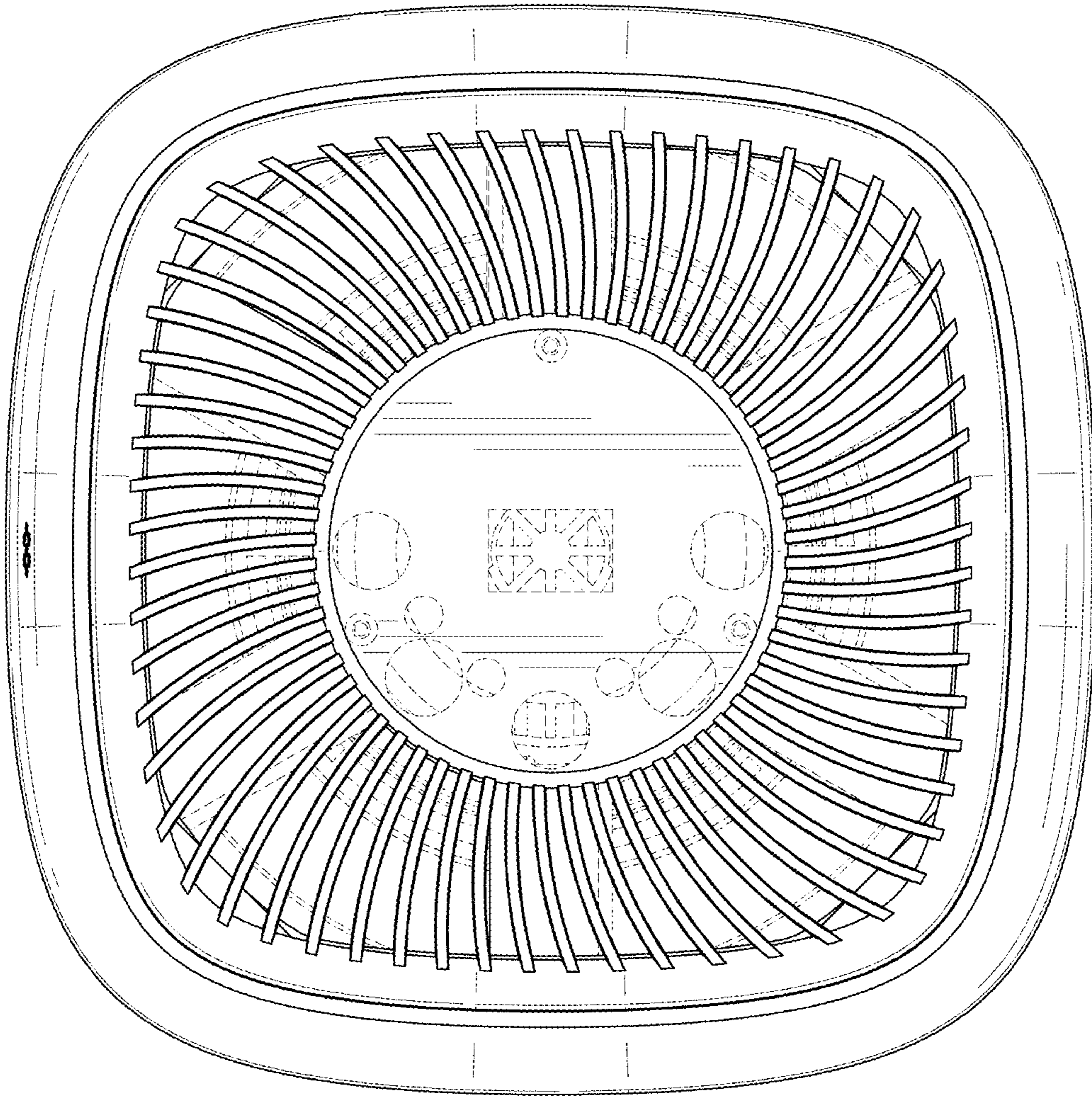


FIG. 7

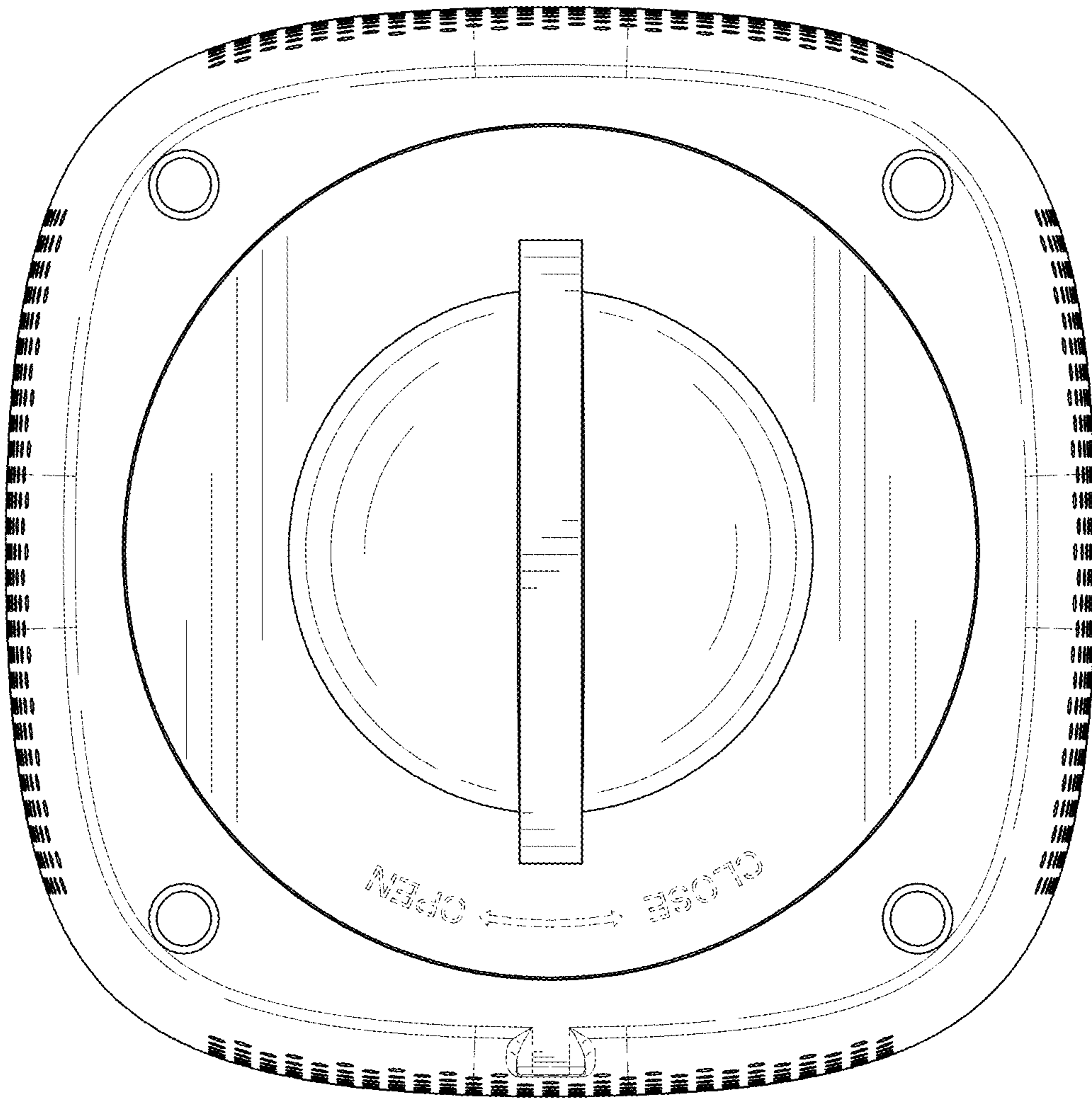


FIG. 8

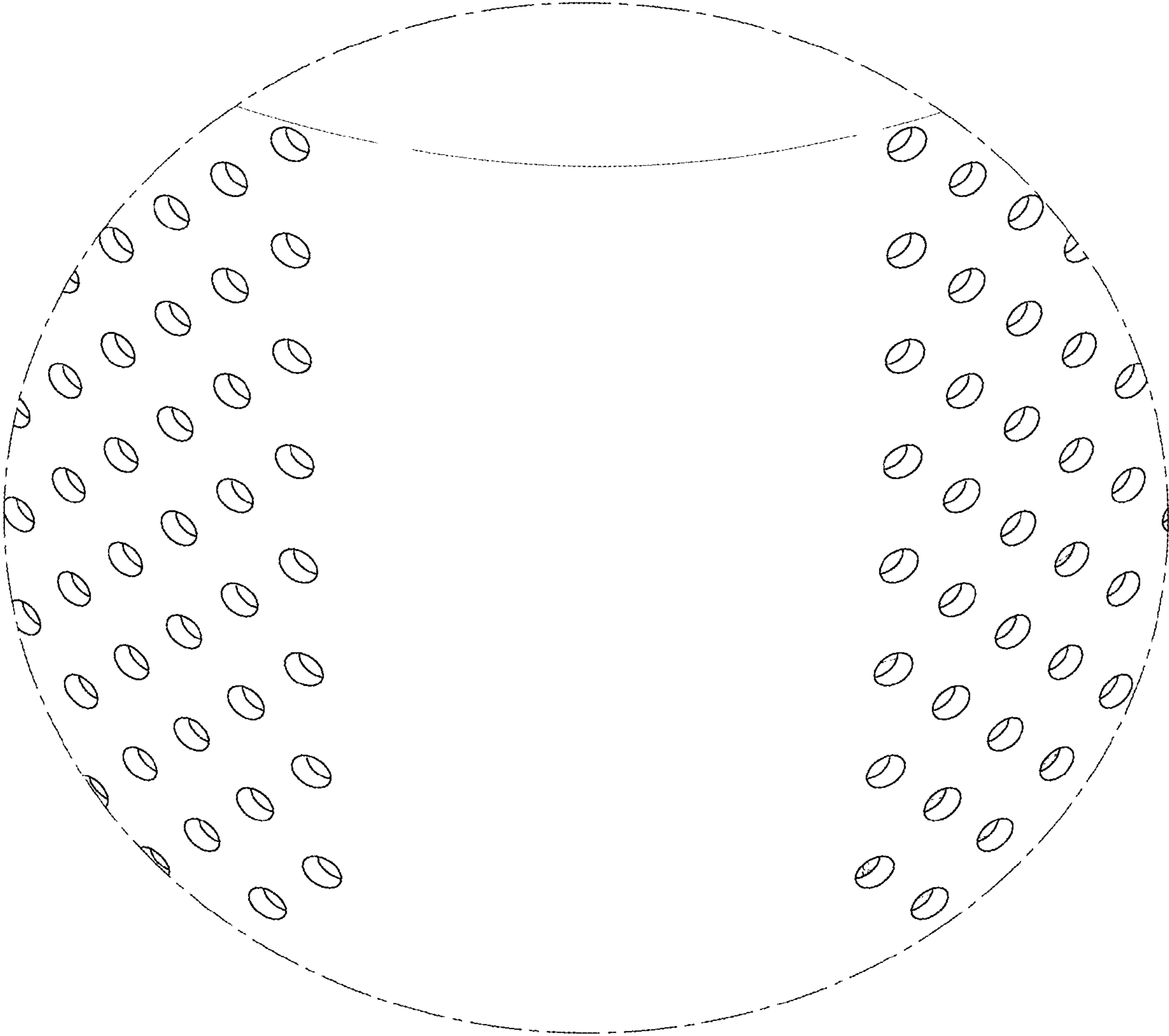


FIG. 9