



US00D918369S

(12) **United States Design Patent** (10) **Patent No.:** **US D918,369 S**
Jang et al. (45) **Date of Patent:** **** May 4, 2021**

(54) **FAN WITH AIR PURIFICATION FUNCTION**

(57) **CLAIM**

(71) Applicant: **LG ELECTRONICS INC.**, Seoul (KR)

We claim the ornamental design for a fan with air purification function, as shown and described.

(72) Inventors: **Hosik Jang**, Seoul (KR); **Seungho Baek**, Seoul (KR); **Hyein Jung**, Seoul (KR); **Kibbum Park**, Seoul (KR)

DESCRIPTION

(73) Assignee: **LG Electronics Inc.**, Seoul (KR)

FIG. 1 is a perspective view of a fan with air purification function showing the new design:

(**) Term: **15 Years**

FIG. 2 is a front elevation view thereof;

(21) Appl. No.: **29/728,561**

FIG. 3 is a rear elevation view thereof;

(22) Filed: **Mar. 19, 2020**

FIG. 4 is a left-side elevation view thereof;

(30) **Foreign Application Priority Data**

FIG. 5 is a right-side elevation view thereof;

Feb. 14, 2020 (KR) 30-2020-0006700

FIG. 6 is a top plan view thereof;

(51) **LOC (13) Cl.** **23-04**

FIG. 7 is a bottom plan view thereof;

(52) **U.S. Cl.**

FIG. 8 is a cross-sectional view taken along the line 8-8 of FIG. 2;

USPC **D23/364**

FIG. 9 is a perspective view of a fan with air purification function showing a state of the damper being slightly protruded;

(58) **Field of Classification Search**

USPC D23/355-366, 352, 369, 332, 333, 335, D23/336, 342, 351; 422/120, 122; 55/356, 473, 504; 96/97; 261/DIG. 17, 261/DIG. 65, DIG. 88, DIG. 31

FIG. 10 is a front elevation view thereof;

CPC .. A61L 9/16; A61L 9/22; B01D 47/00; B01D 47/027; B01D 2221/02; B01D 2259/4508;

FIG. 11 is a rear elevation view thereof;

(Continued)

FIG. 12 is a left-side elevation view thereof;

(56) **References Cited**

U.S. PATENT DOCUMENTS

D491,654 S * 6/2004 Gatchell D23/364
D495,043 S * 8/2004 Gatchell D23/364
D515,187 S * 2/2006 Blateri D23/336

FIG. 13 is a right-side elevation view thereof;

(Continued)

FIG. 14 is a top plan view thereof;

Primary Examiner — David G Muller

FIG. 15 is a bottom plan view thereof;

(74) *Attorney, Agent, or Firm* — Birch, Stewart, Kolasch & Birch, LLP

FIG. 16 is a cross-sectional view taken along the line 16-16 of FIG. 10;

FIG. 17 is a perspective view of a fan with air purification function showing another state of the damper being fully protruded;

FIG. 18 is a front elevation view thereof;

FIG. 19 is a rear elevation view thereof;

FIG. 20 is a left-side elevation view thereof;

FIG. 21 is a right-side elevation view thereof;

FIG. 22 is a top plan view thereof;

FIG. 23 is a bottom plan view thereof; and,

FIG. 24 is a cross-sectional view taken along the line 24-24 of FIG. 18.

The parts shown by means of broken lines in the drawing figures are not part of the claimed design.

1 Claim, 24 Drawing Sheets



(58) **Field of Classification Search**

CPC .. B03C 3/155; B03C 3/368; F24F 3/16; F24F
13/20; F24F 13/28

See application file for complete search history.

(56) **References Cited**

U.S. PATENT DOCUMENTS

D551,329 S *	9/2007	Cheng	D23/364
D558,319 S *	12/2007	Ishiguro	D23/356
D588,686 S *	3/2009	Spiegel	D23/364
D594,954 S *	6/2009	Wheatley	D23/366
D633,609 S *	3/2011	Shapiro	D23/314
D643,102 S *	8/2011	Abbondanzio	D23/366
D768,834 S *	10/2016	Schuller	D23/366
D770,023 S *	10/2016	Bertani	D23/332
D771,784 S *	11/2016	McDonnell	D23/356
D773,028 S *	11/2016	Tang	D23/370

* cited by examiner

FIG. 1

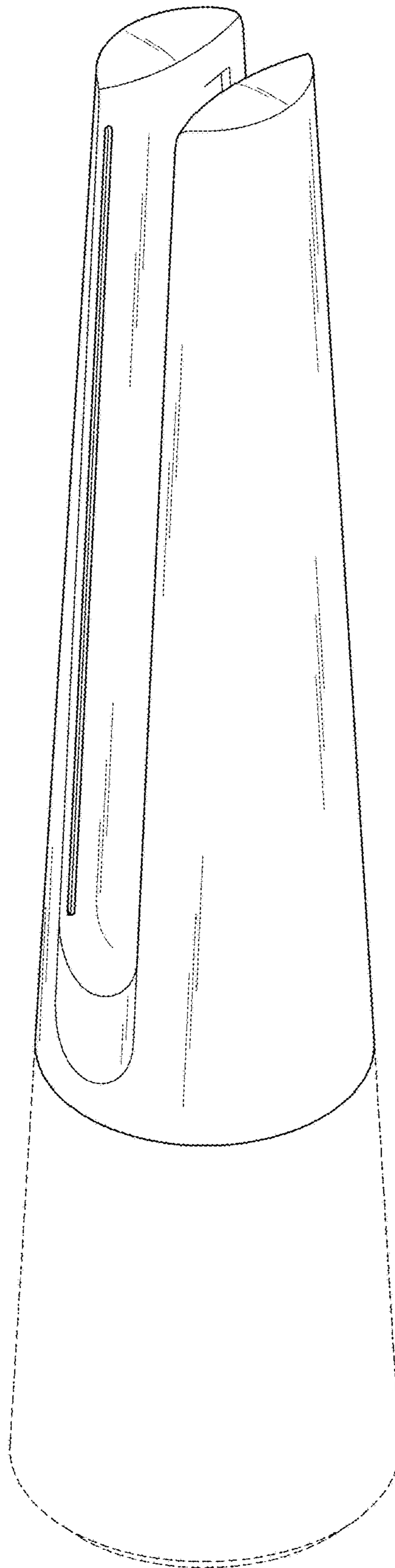


FIG. 2

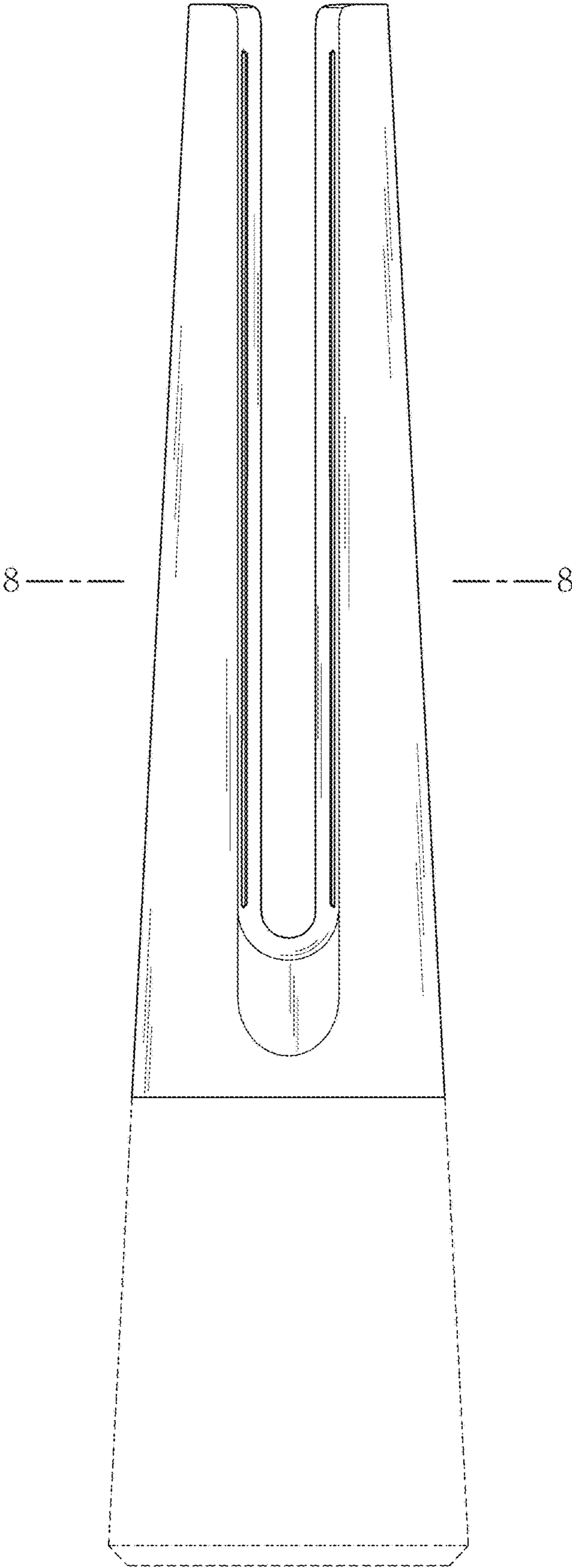


FIG. 3

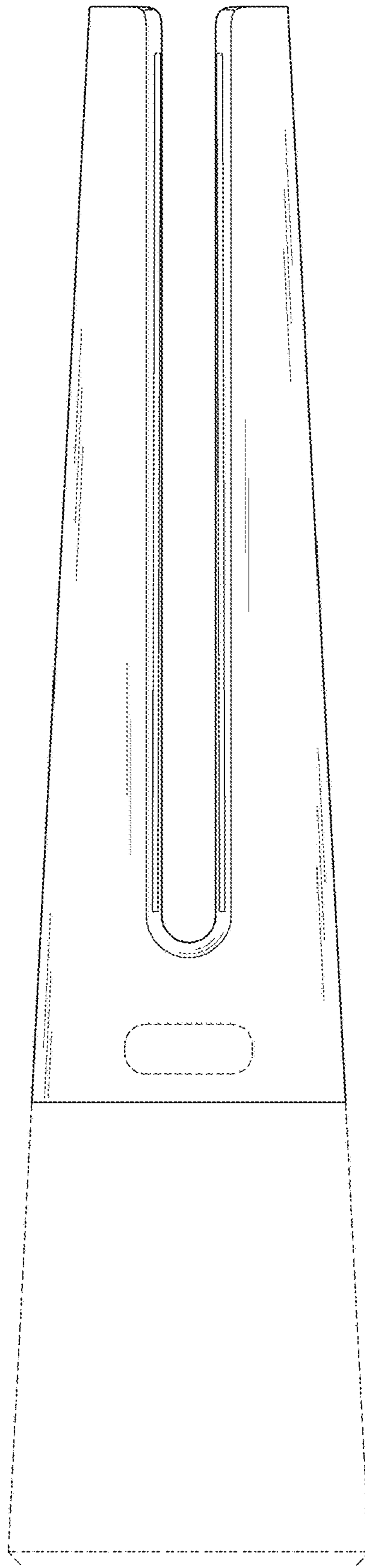


FIG. 4

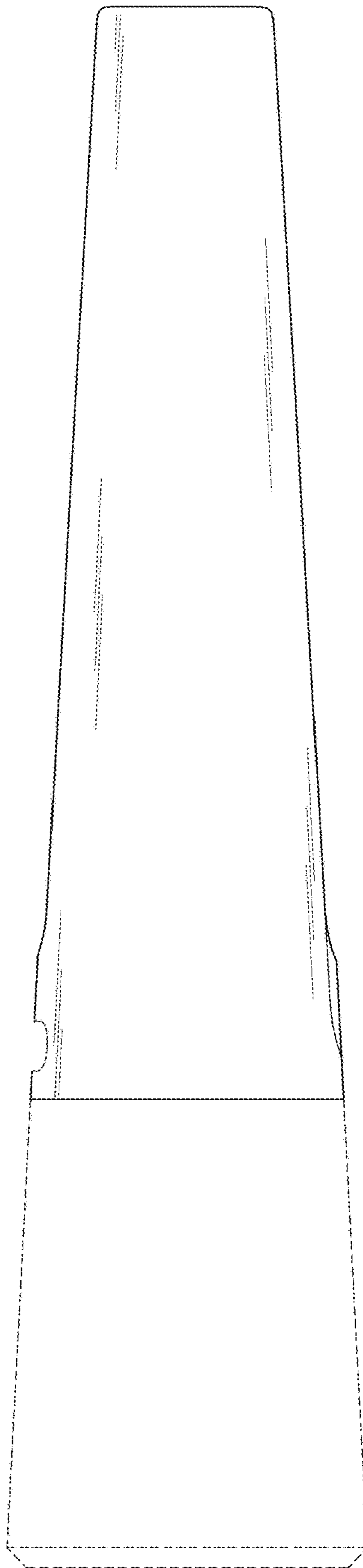


FIG. 5

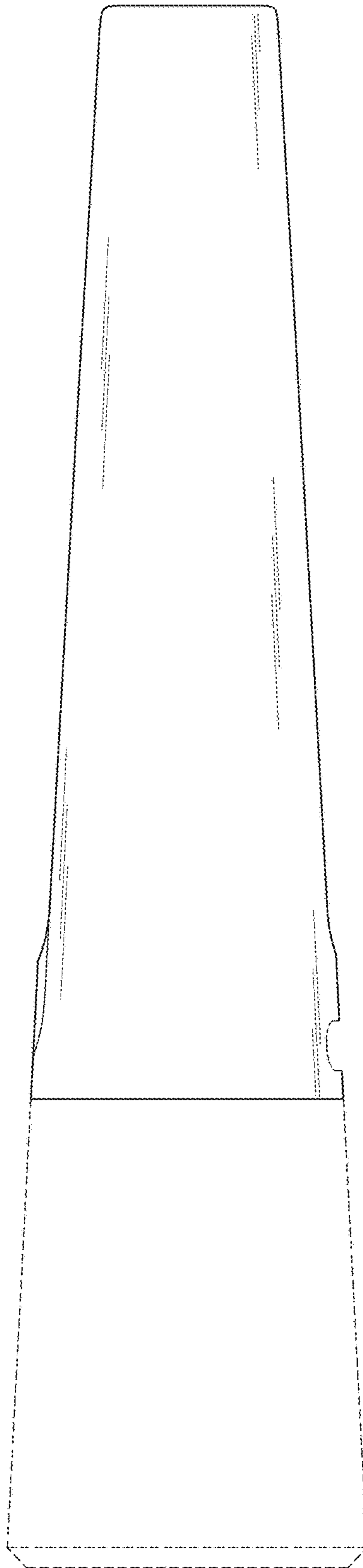


FIG. 6

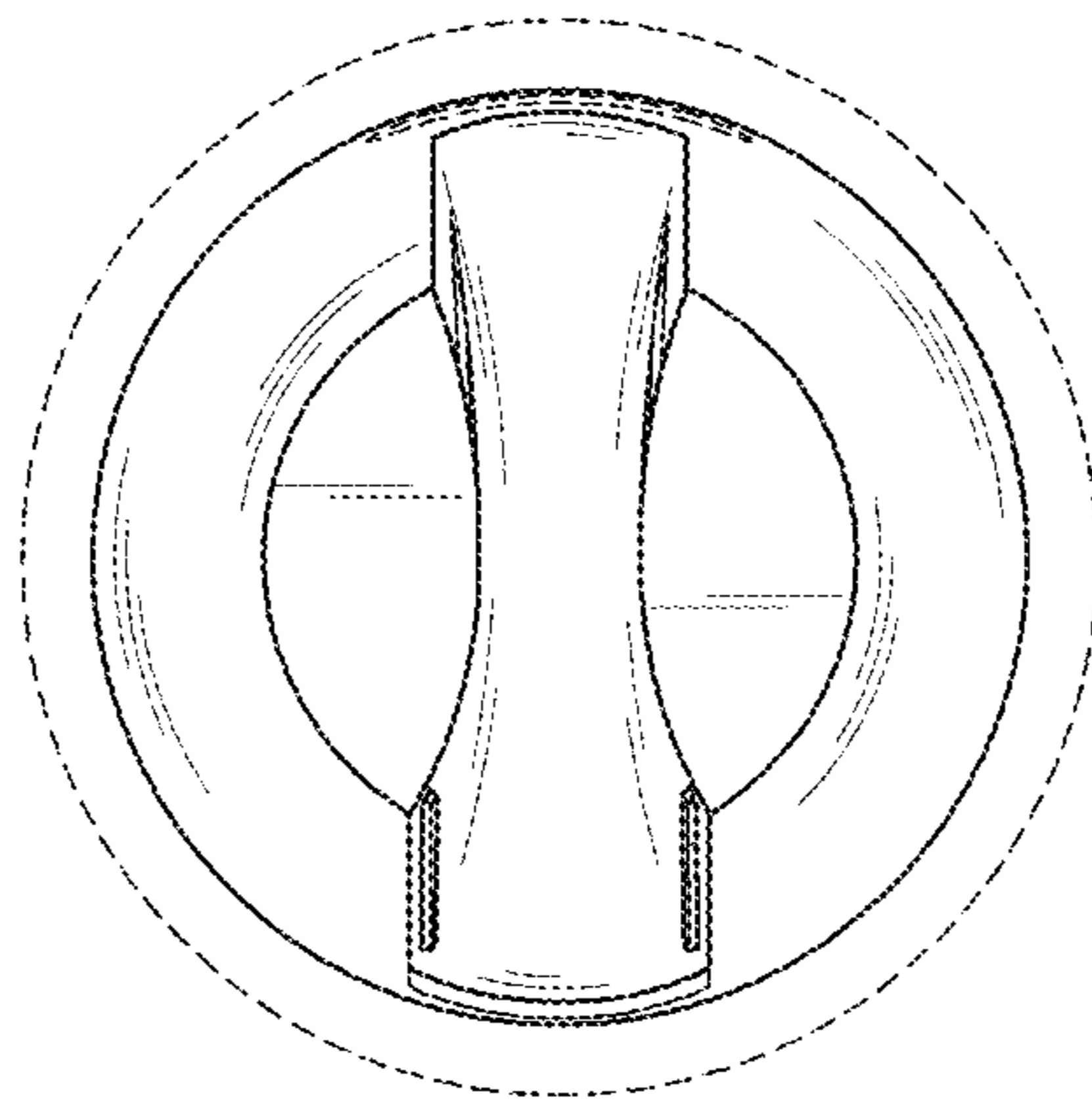


FIG. 7

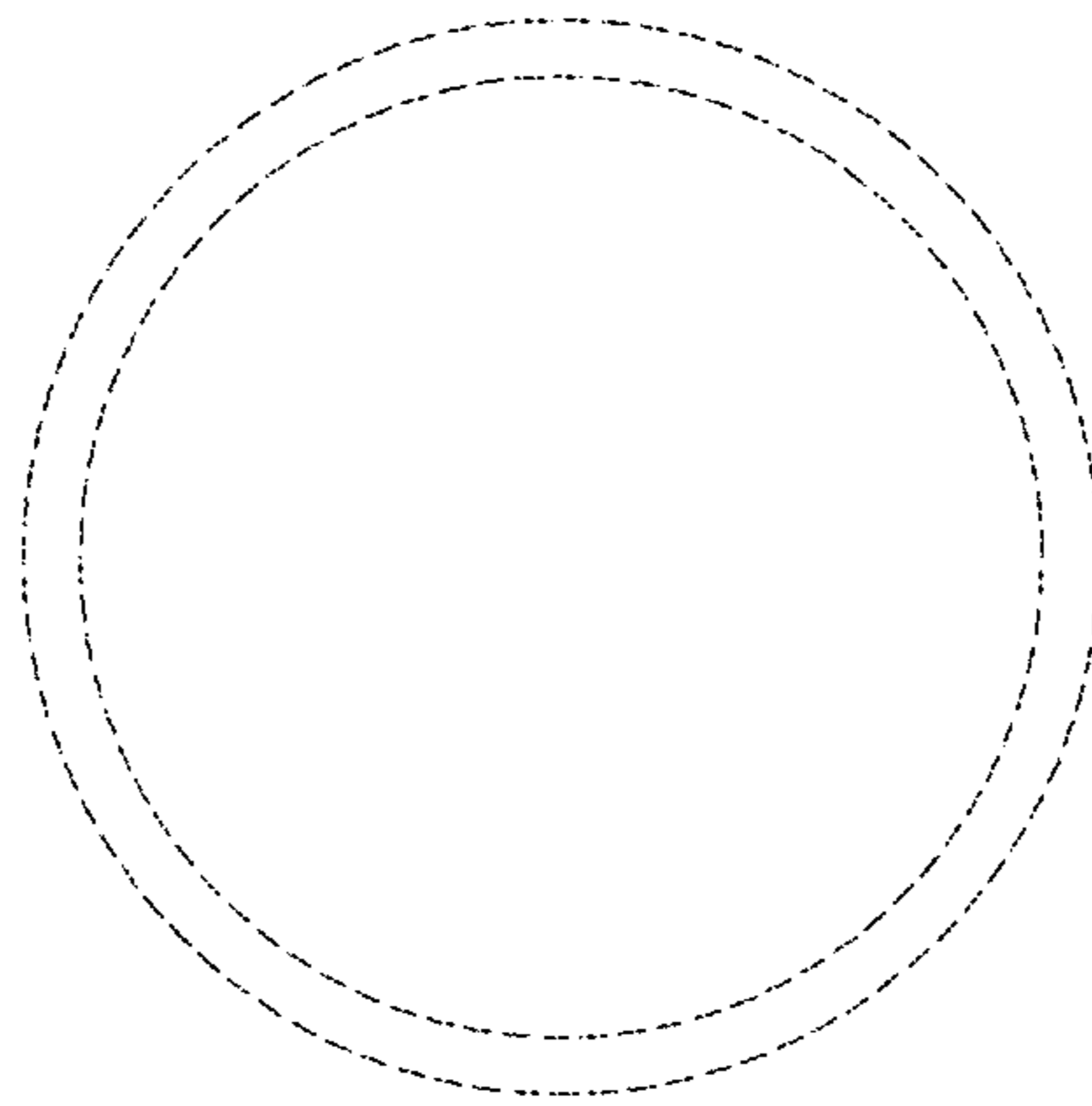


FIG. 8

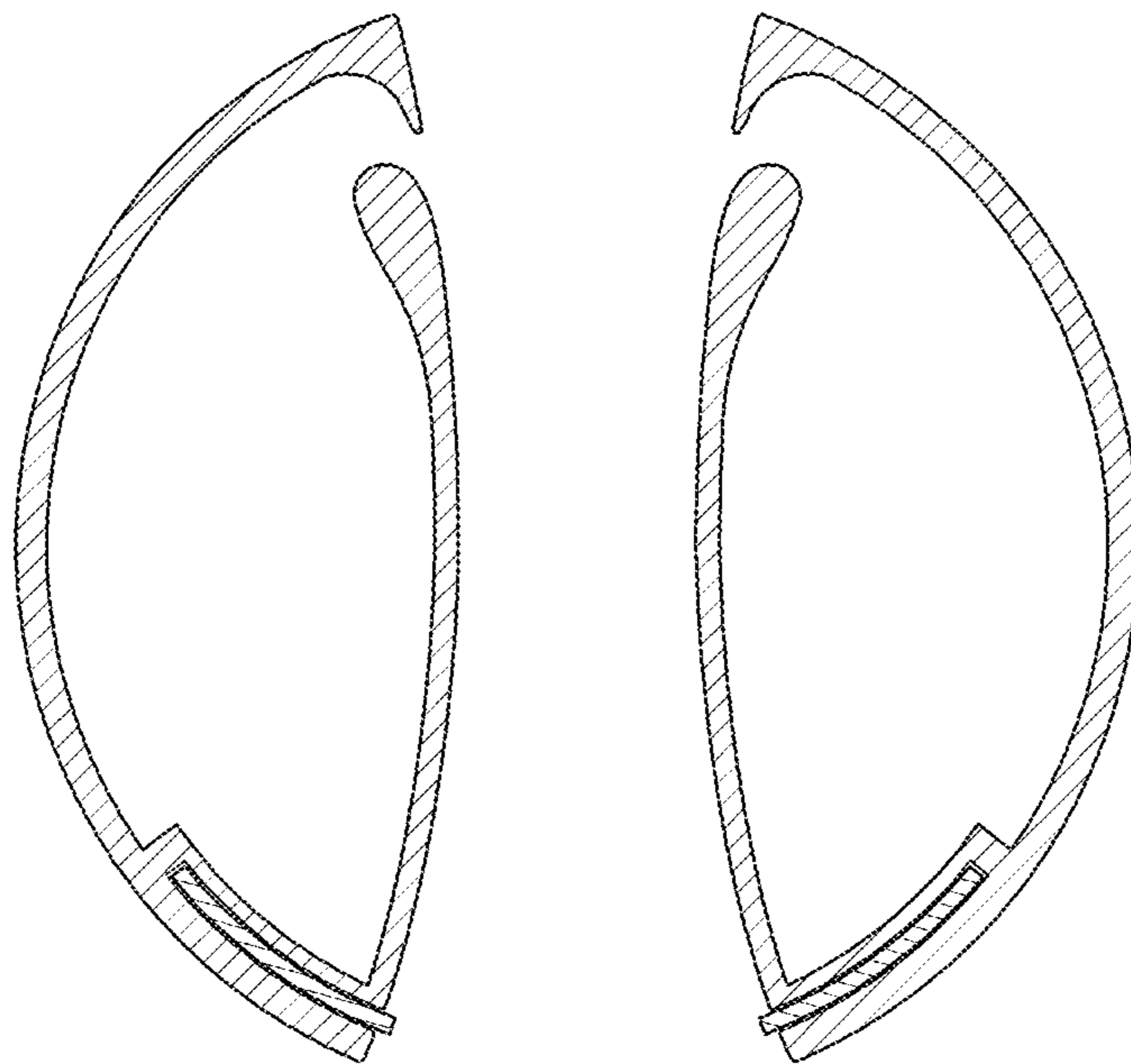


FIG. 9

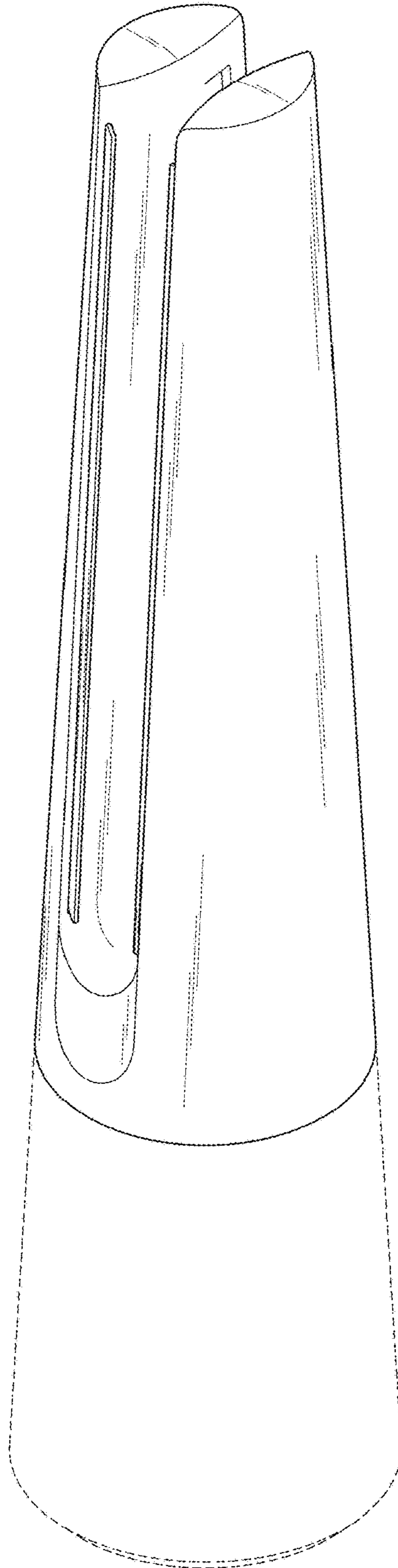


FIG. 10

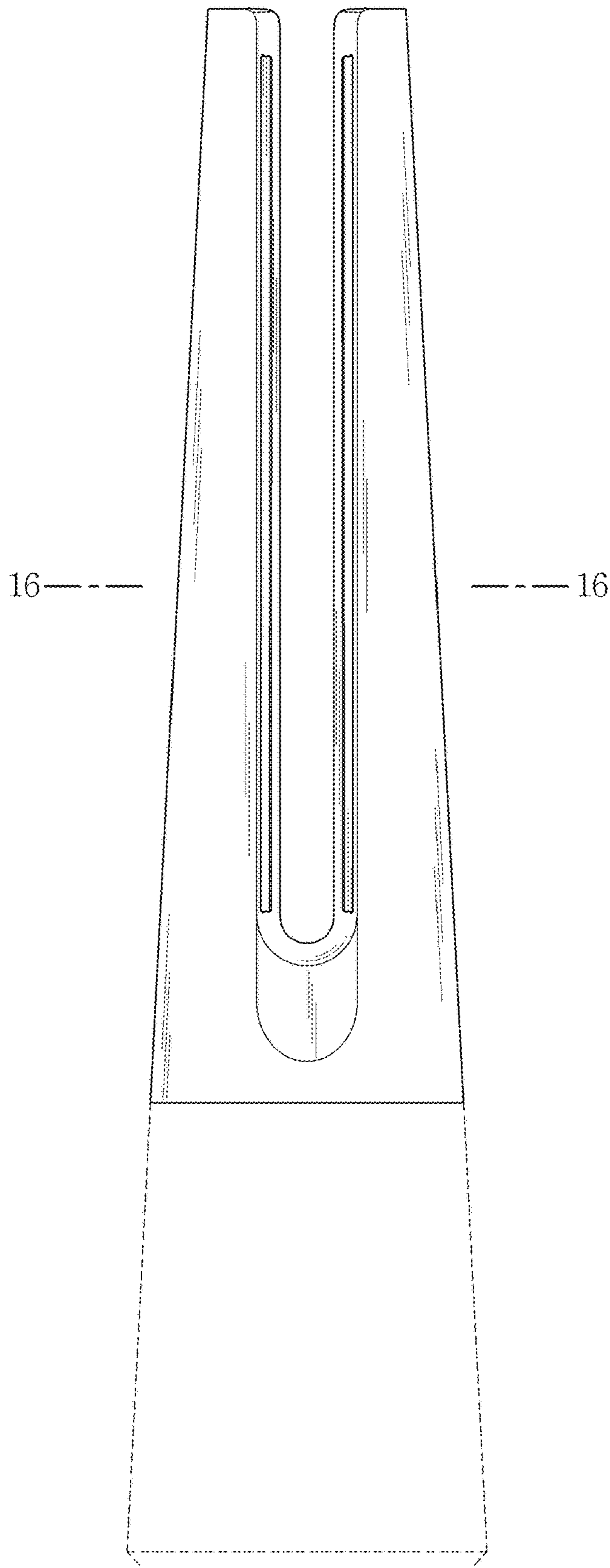


FIG. 11

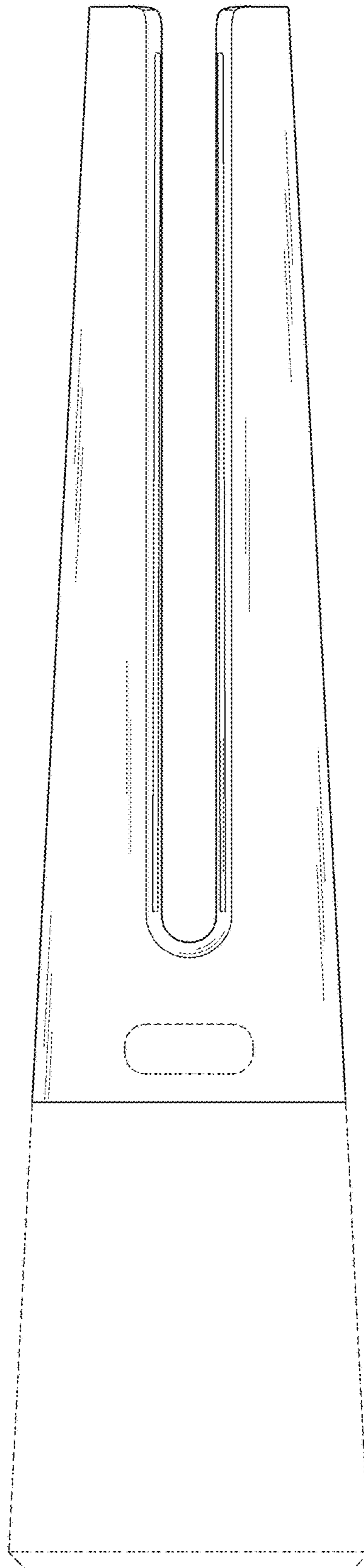


FIG. 12

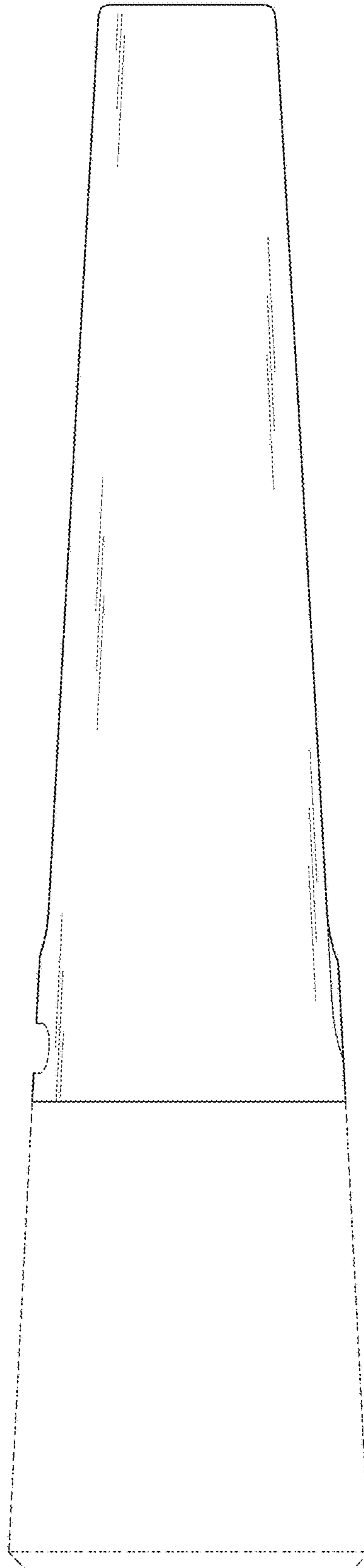


FIG. 13

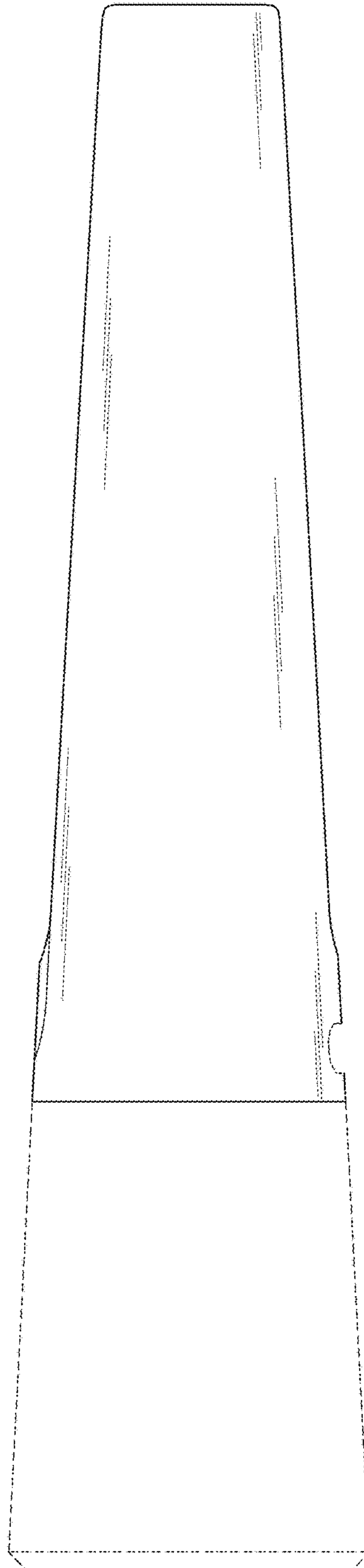


FIG. 14

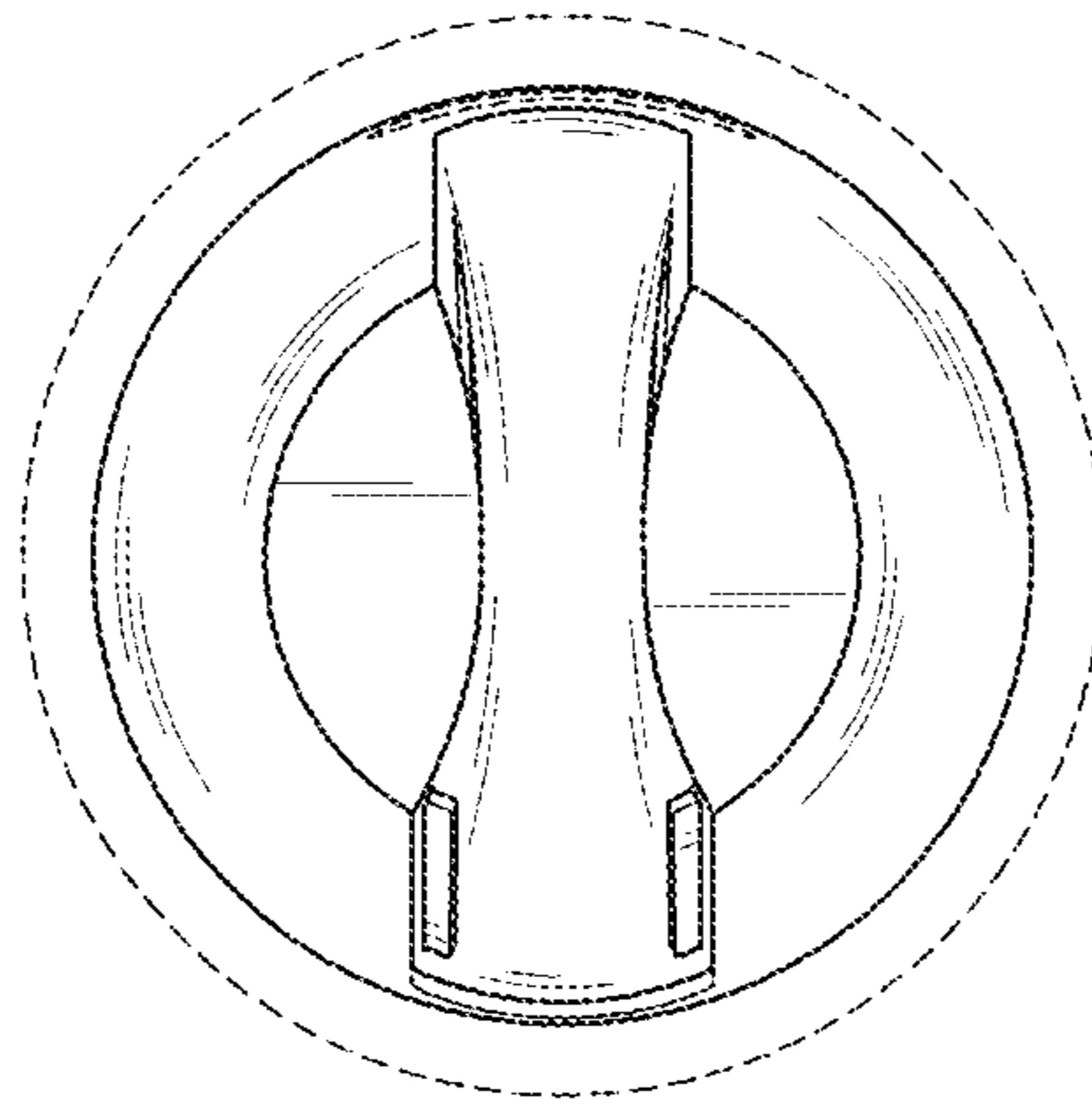


FIG. 15

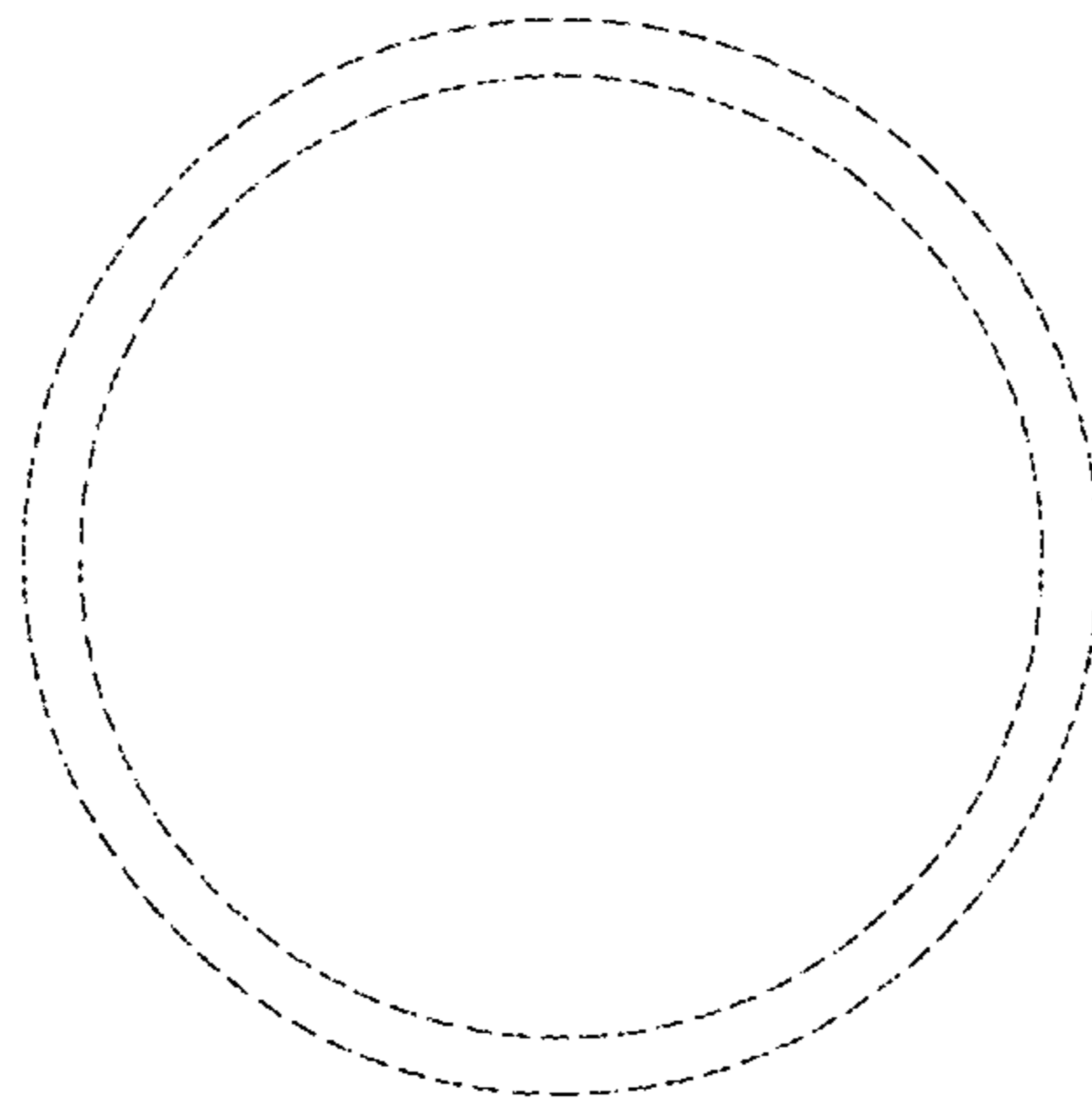


FIG. 16

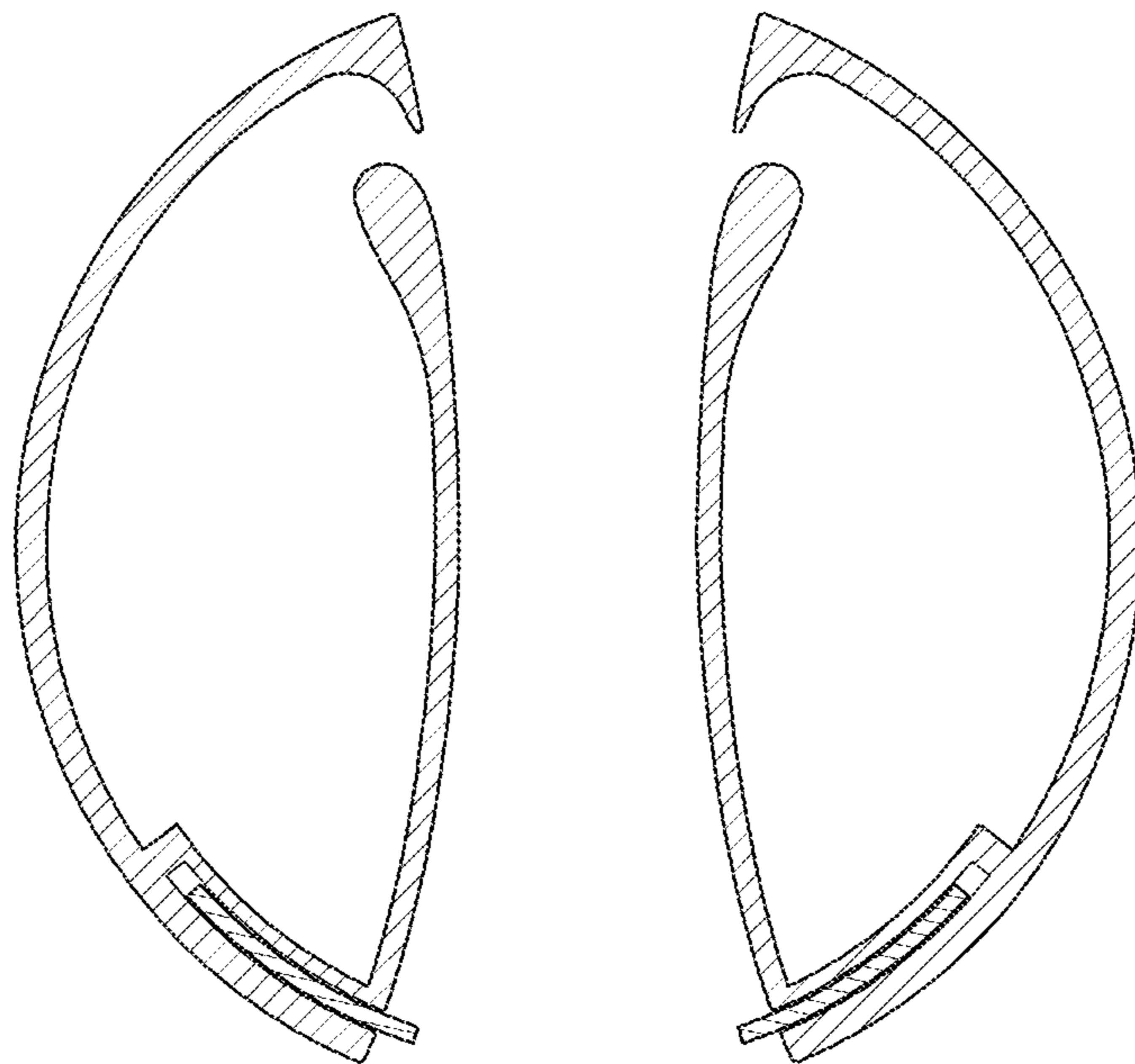


FIG. 17

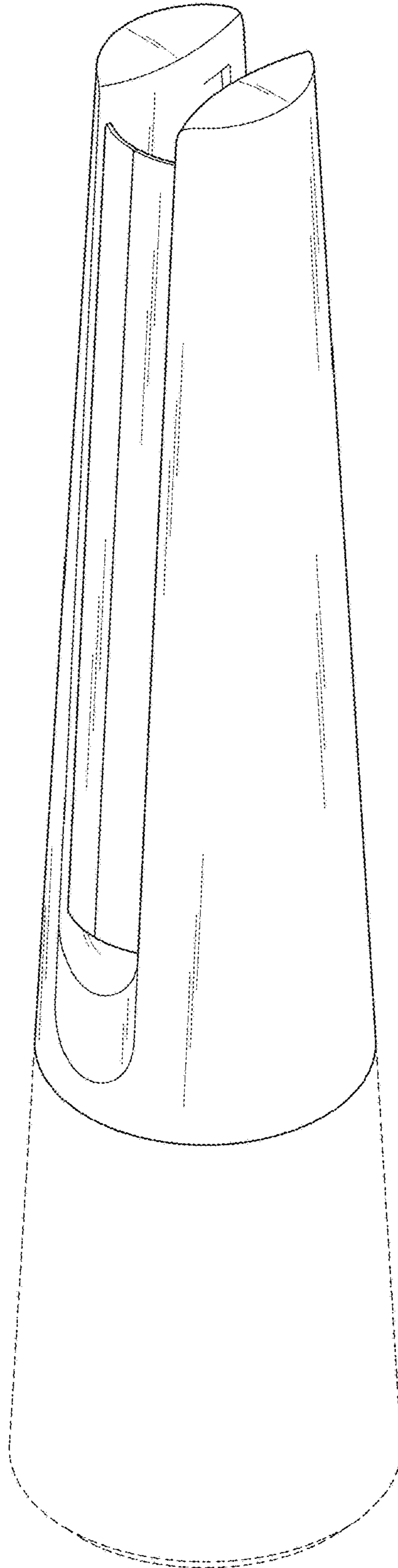


FIG. 18

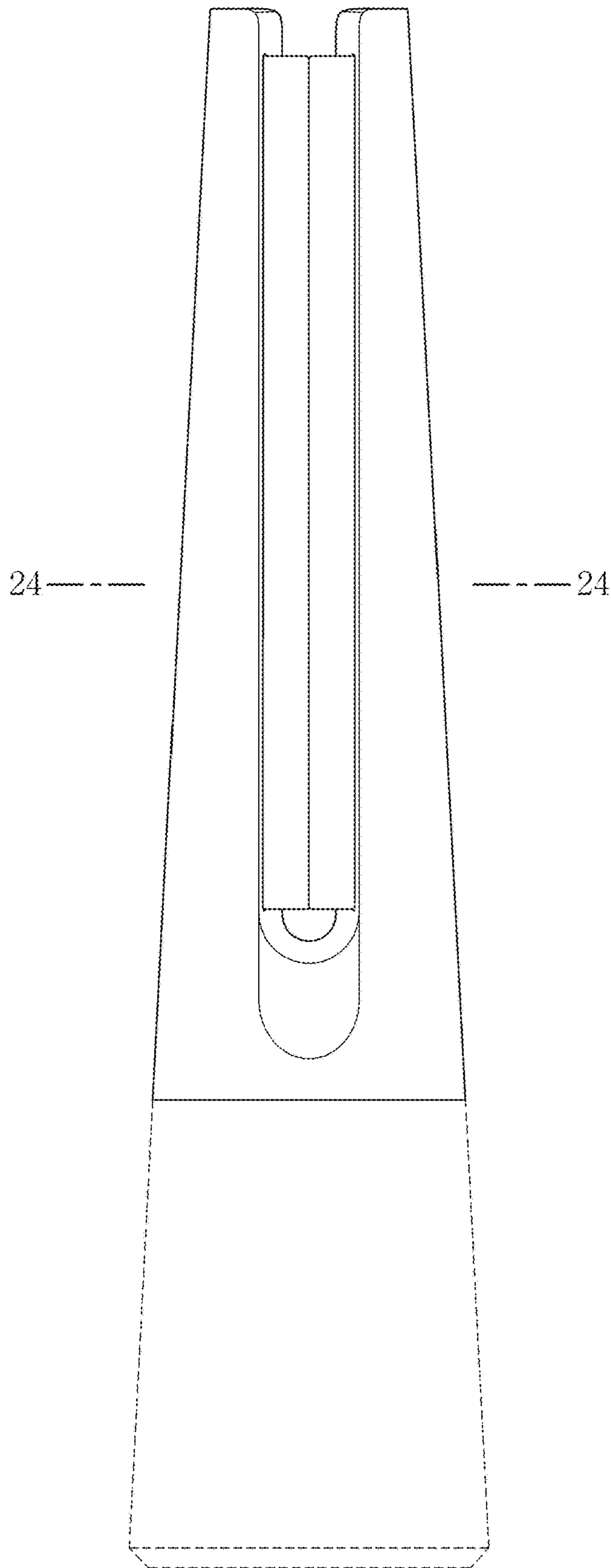


FIG. 19

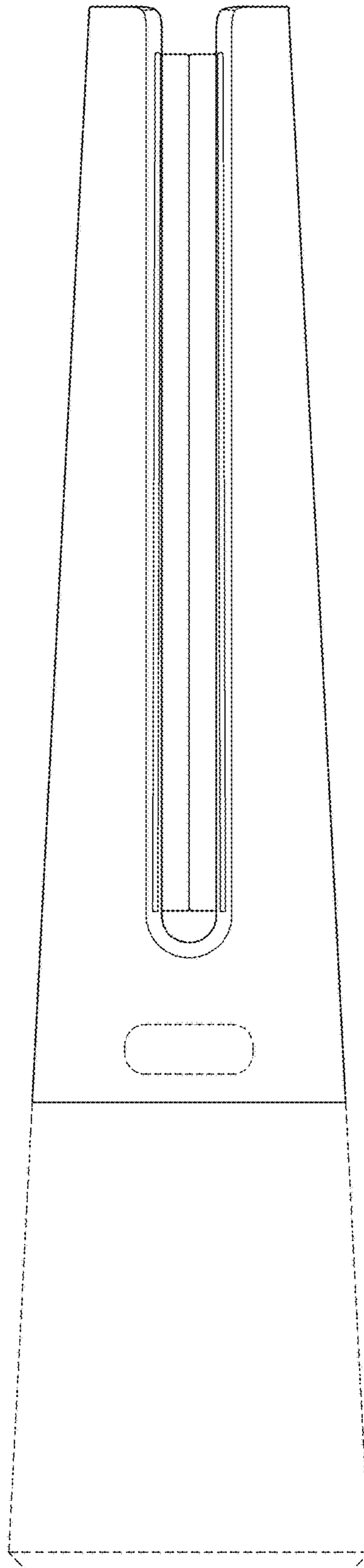


FIG. 20

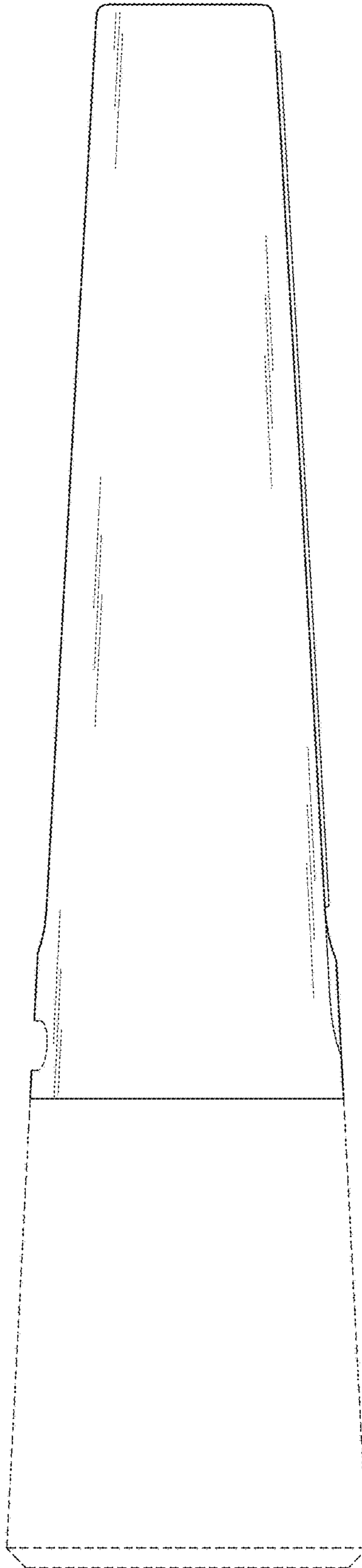


FIG. 21

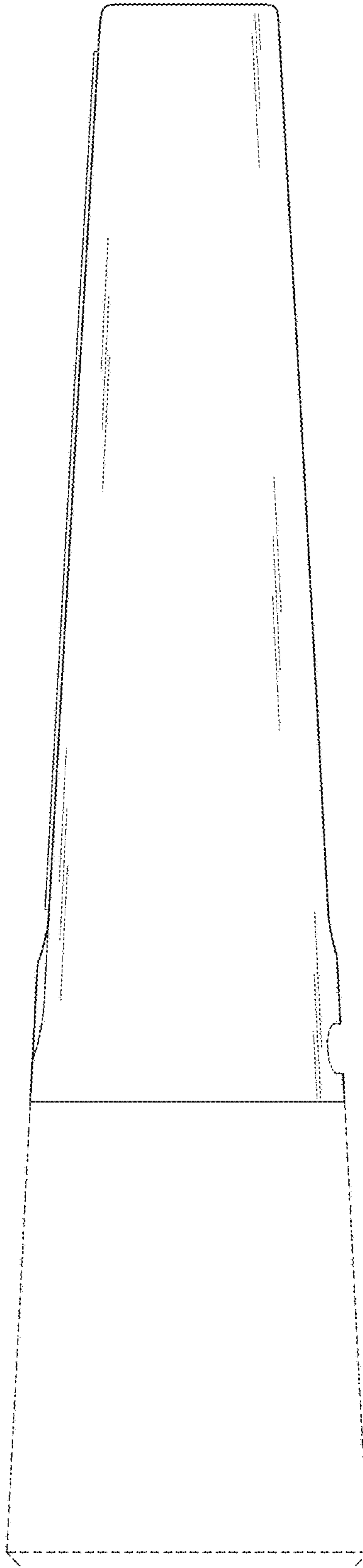


FIG. 22

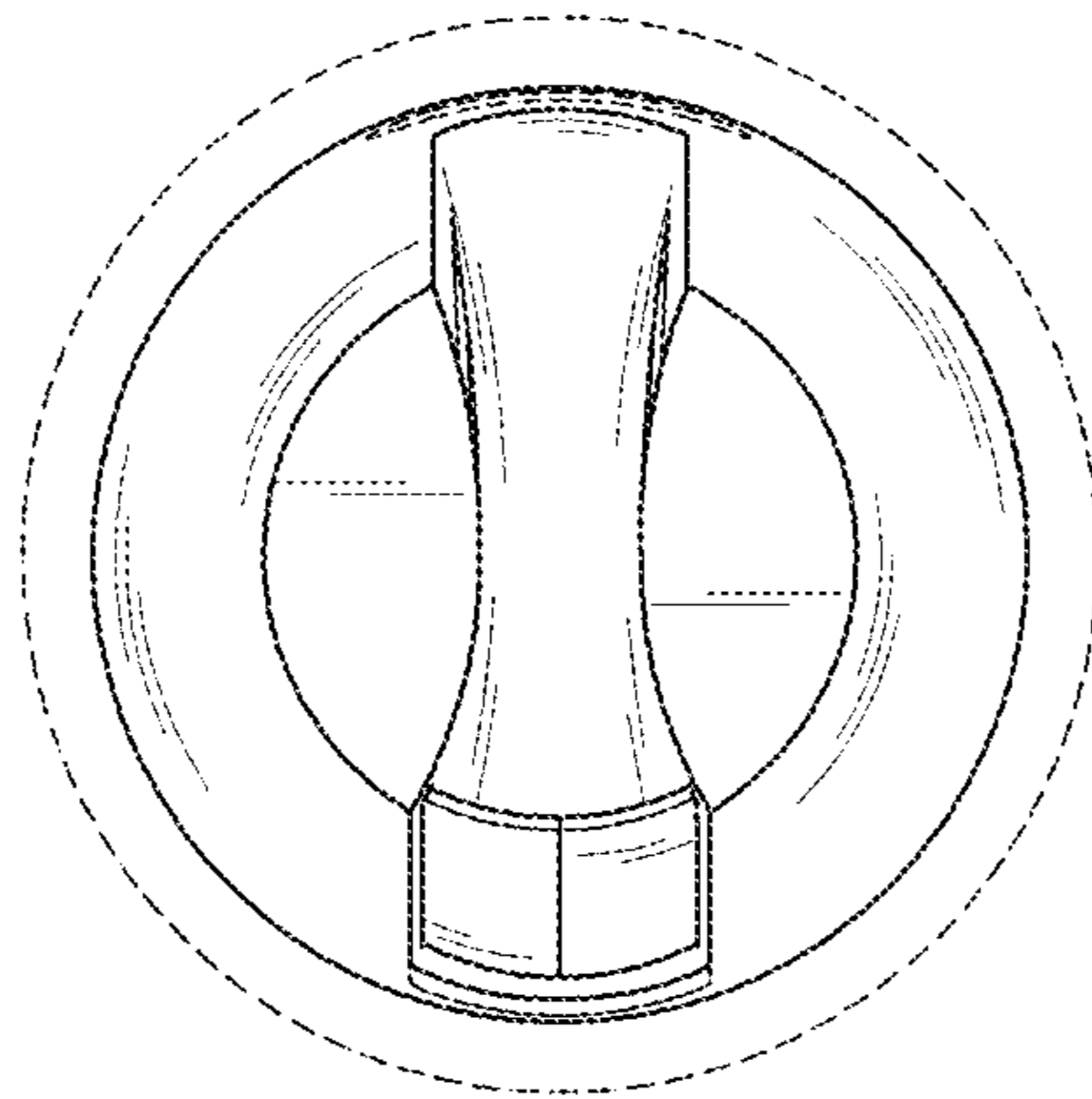


FIG. 23

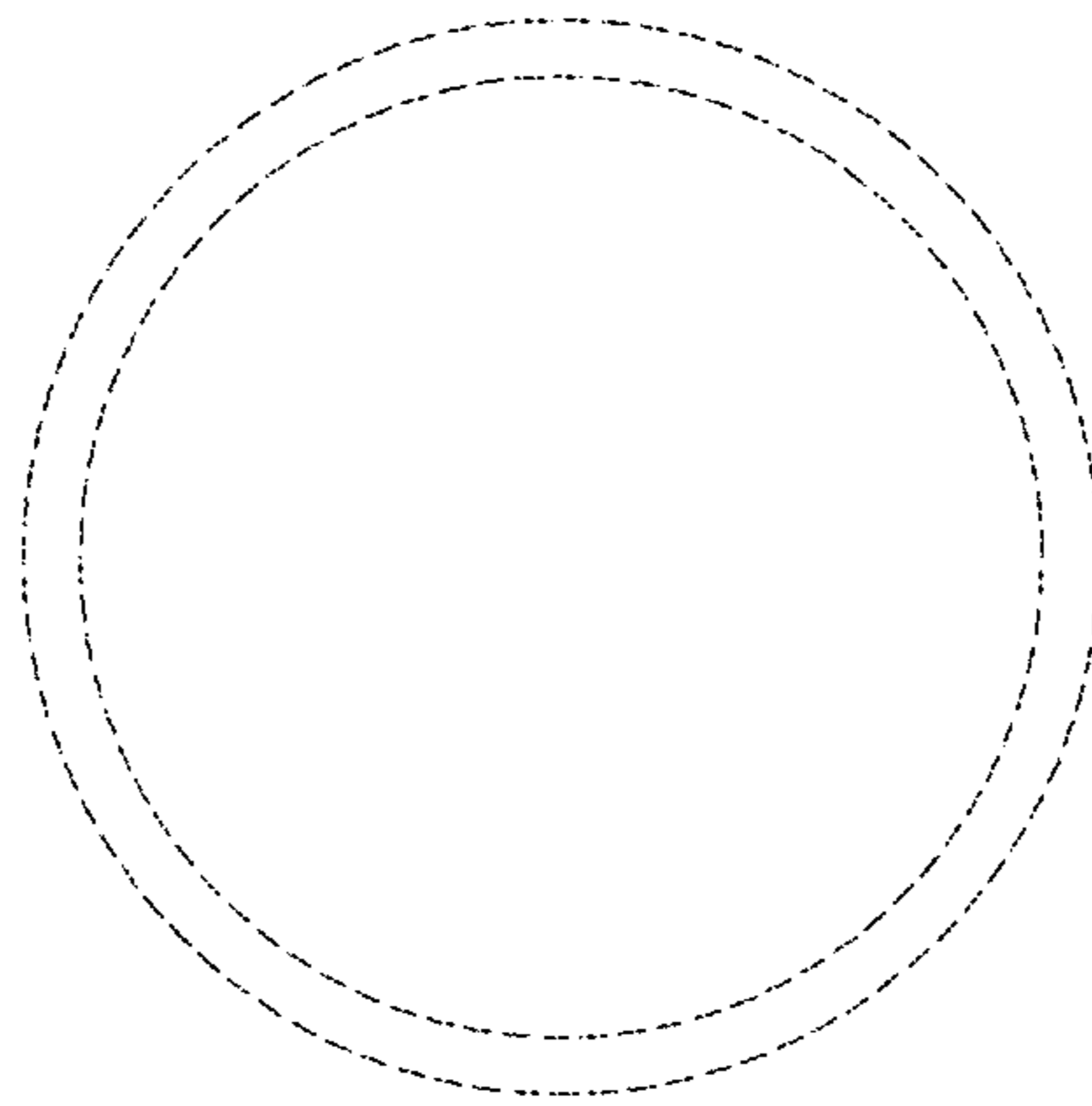


FIG. 24

