



US00D918367S

(12) **United States Design Patent** (10) **Patent No.:** **US D918,367 S**  
**Li** (45) **Date of Patent:** **\*\* May 4, 2021**

(54) **DEHUMIDIFIER**  
(71) Applicant: **Wanting Li**, Dongguan (CN)  
(72) Inventor: **Wanting Li**, Dongguan (CN)  
(\*\*) Term: **15 Years**  
(21) Appl. No.: **29/764,952**

(22) Filed: **Jan. 5, 2021**  
(51) **LOC (13) Cl.** ..... **23-04**  
(52) **U.S. Cl.**  
USPC ..... **D23/359**  
(58) **Field of Classification Search**  
USPC ..... D23/355-366, 352, 369, 332, 333, 335,  
D23/336, 342, 351; 422/120, 122;  
55/356, 473, 504; 96/97; 261/DIG. 17,  
261/DIG. 65, DIG. 88, DIG. 31  
CPC .. A61L 9/16; A61L 9/22; B01D 47/00; B01D  
47/027; B01D 2221/02; B01D 2259/4508;  
B03C 3/155; B03C 3/368; F24F 3/16;  
F24F 13/20; F24F 13/28  
See application file for complete search history.

(56) **References Cited**  
U.S. PATENT DOCUMENTS  
D573,704 S \* 7/2008 Chen ..... D23/364  
D729,919 S 5/2015 Yeom  
D746,426 S 12/2015 Zhao et al.  
D788,279 S 5/2017 Lee et al.  
D840,012 S \* 2/2019 Zhou ..... D23/359  
D844,766 S \* 4/2019 Miao ..... D23/364  
D878,530 S \* 3/2020 Pan ..... D23/364

D879,273 S \* 3/2020 Shih ..... D23/356  
D886,974 S \* 6/2020 Miyawaki ..... D23/356  
D893,009 S \* 8/2020 Choi ..... D23/364  
D893,693 S \* 8/2020 Xiao ..... D23/356  
D895,093 S \* 9/2020 Nakamura ..... D23/364  
D905,840 S \* 12/2020 Cao ..... D23/364  
D908,198 S \* 1/2021 Yoon ..... D23/364  
10,928,081 B2 \* 2/2021 Cho ..... F24F 3/14  
D912,236 S \* 3/2021 Hernandez ..... D23/364

\* cited by examiner

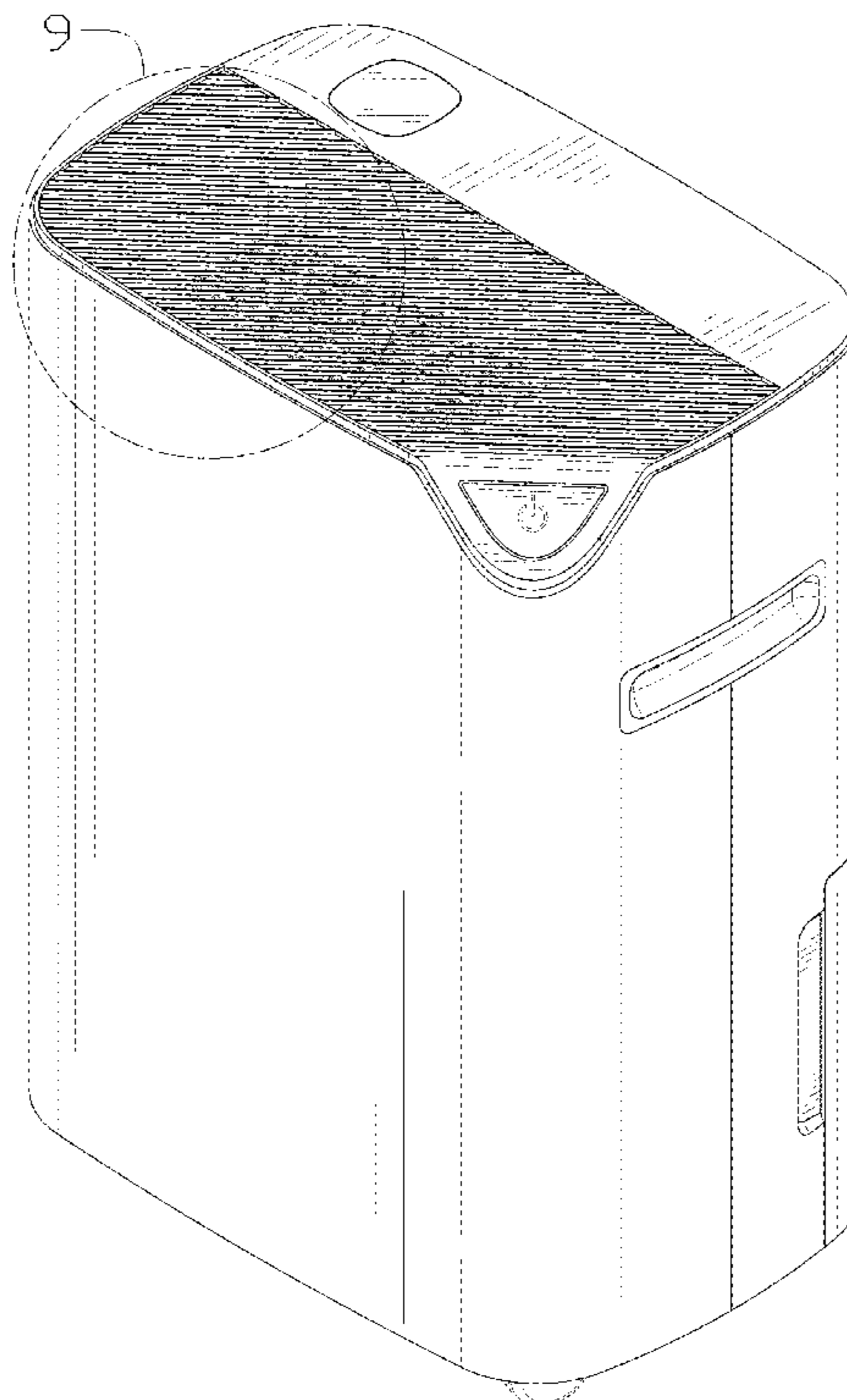
*Primary Examiner* — David G Muller

(57) **CLAIM**  
The ornamental design for a dehumidifier, as shown and described.

**DESCRIPTION**

FIG. 1 is a first perspective view of a dehumidifier showing my new design;  
FIG. 2 is a second perspective view thereof;  
FIG. 3 is a front view thereof;  
FIG. 4 is a back view thereof;  
FIG. 5 is a left side view thereof;  
FIG. 6 is a right side view thereof;  
FIG. 7 is a top view thereof;  
FIG. 8 is a bottom view thereof;  
FIG. 9 is an enlarged view of the selected portion in FIG. 1; and,  
FIG. 10 is an enlarged view of the selected portion in FIG. 2.  
The broken lines shown in the drawings depict portions of the dehumidifier in which the design is embodied that form no part of the claimed design.

**1 Claim, 10 Drawing Sheets**



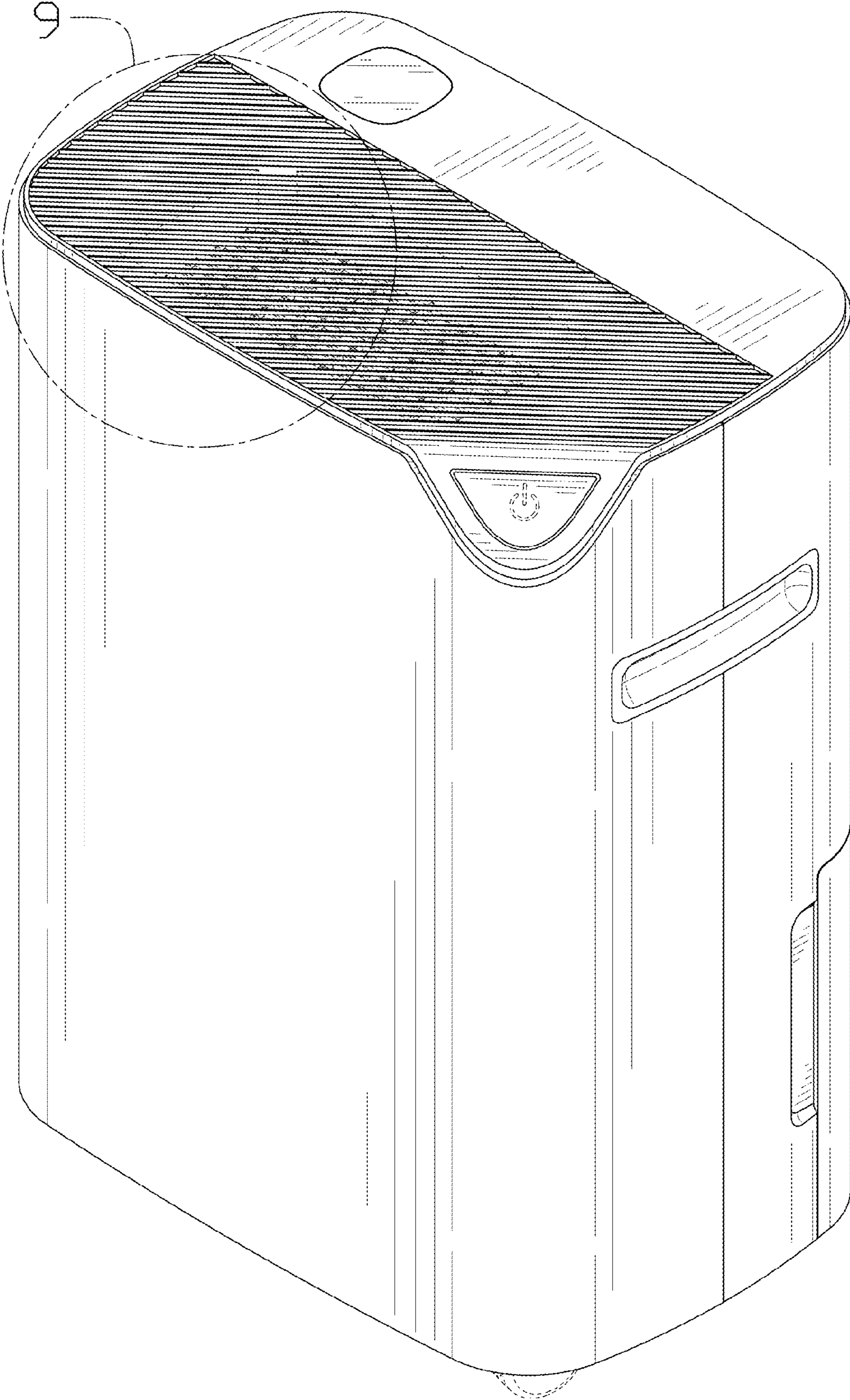


FIG. 1



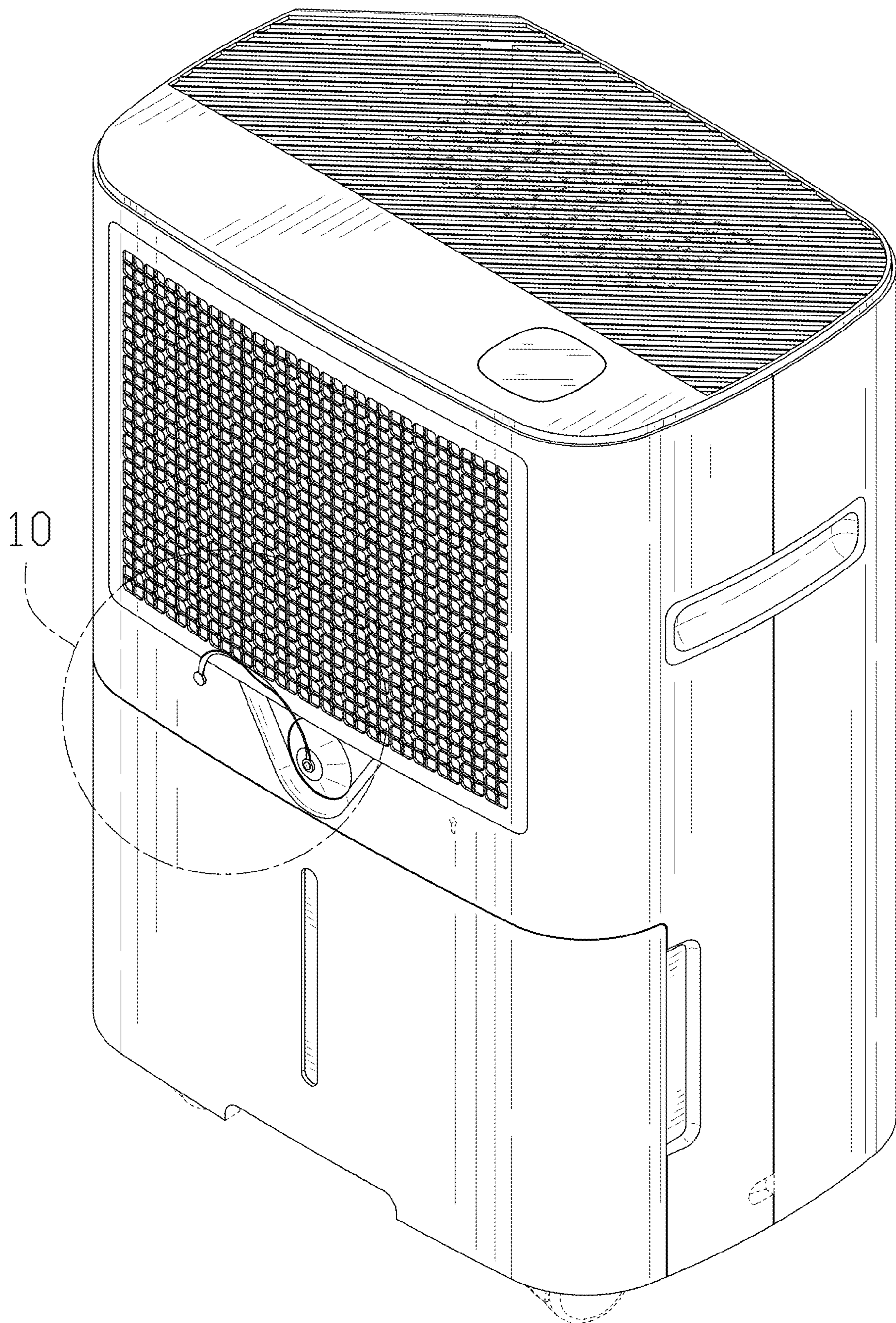


FIG. 2

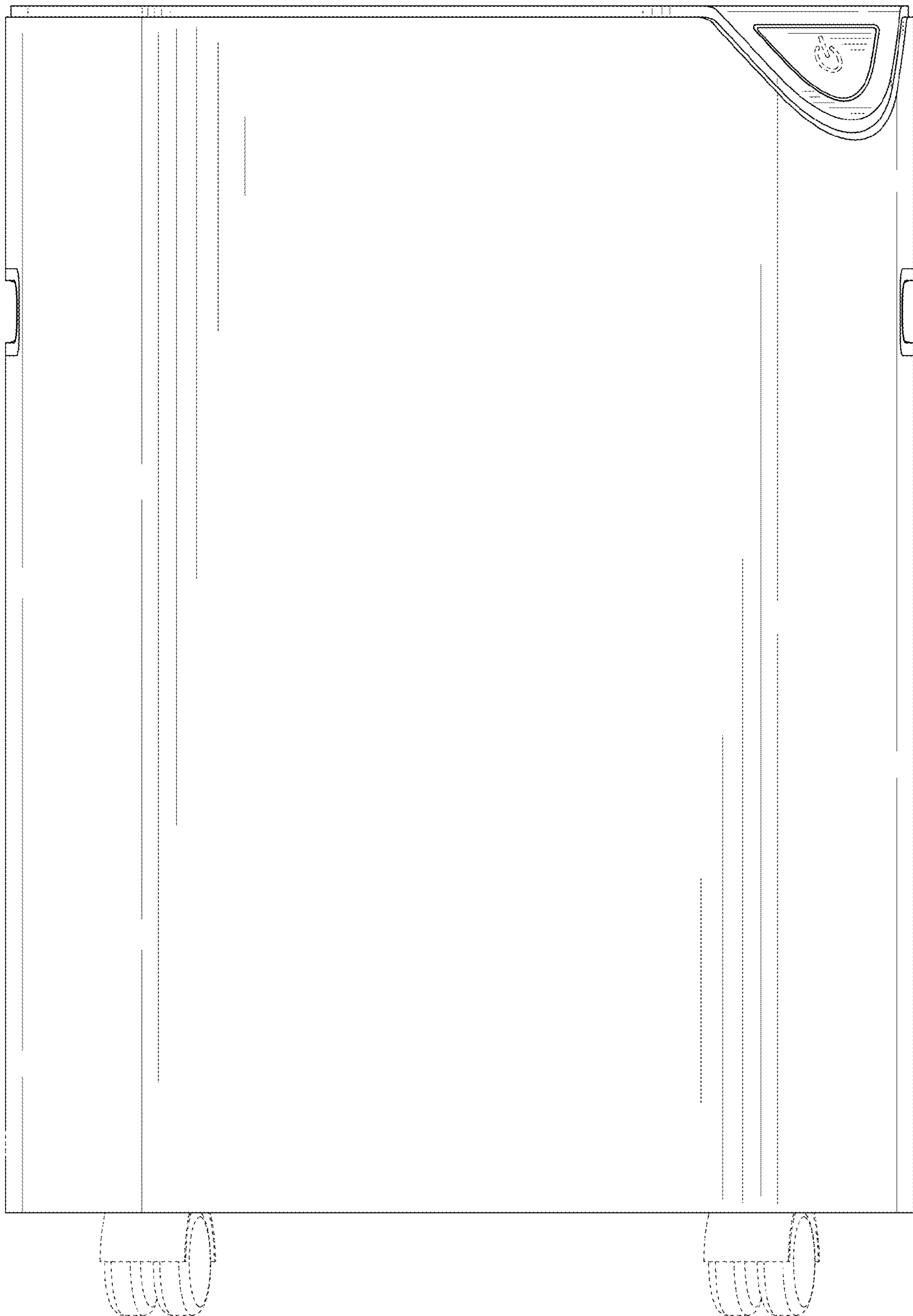


FIG. 3



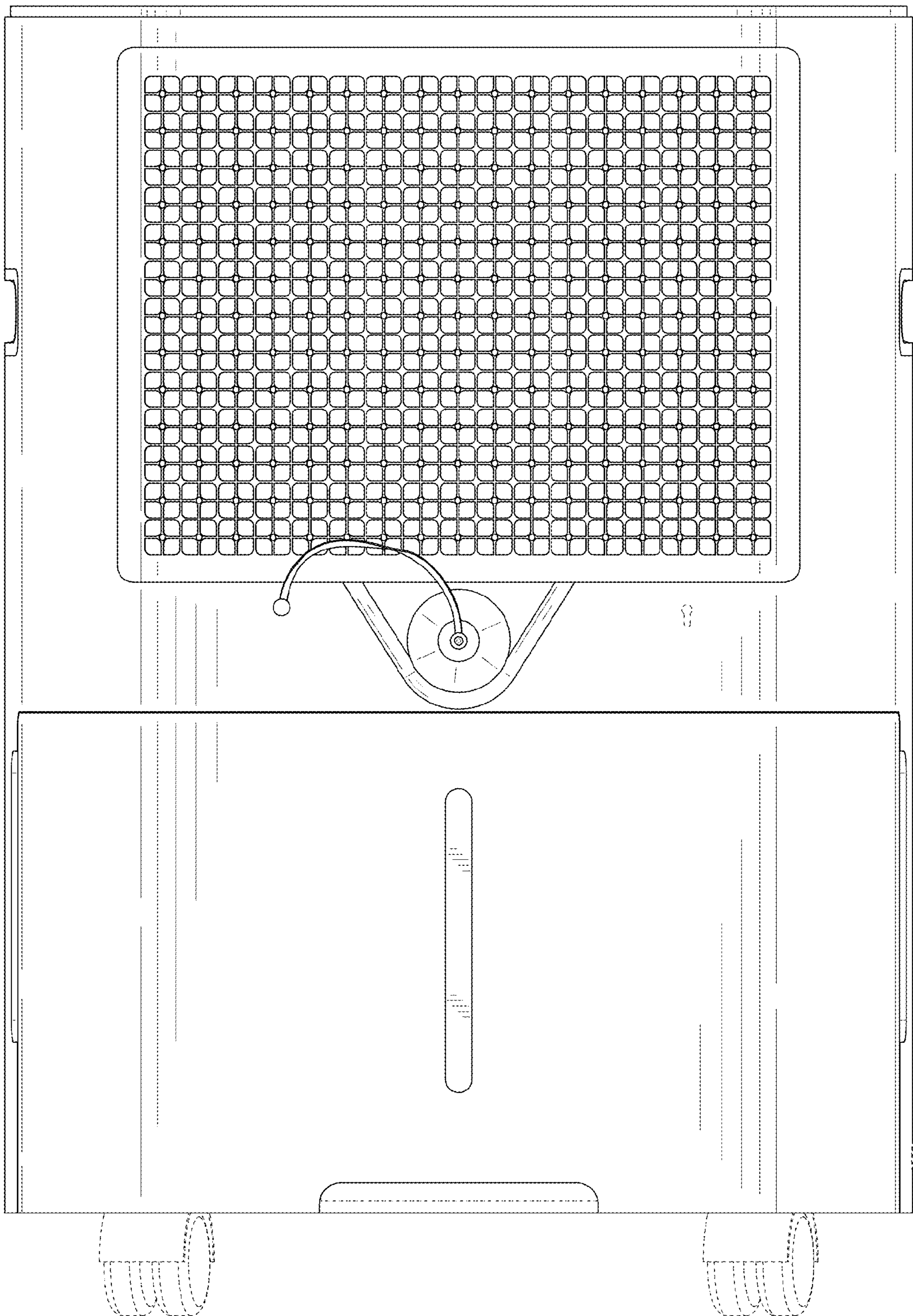


FIG. 4

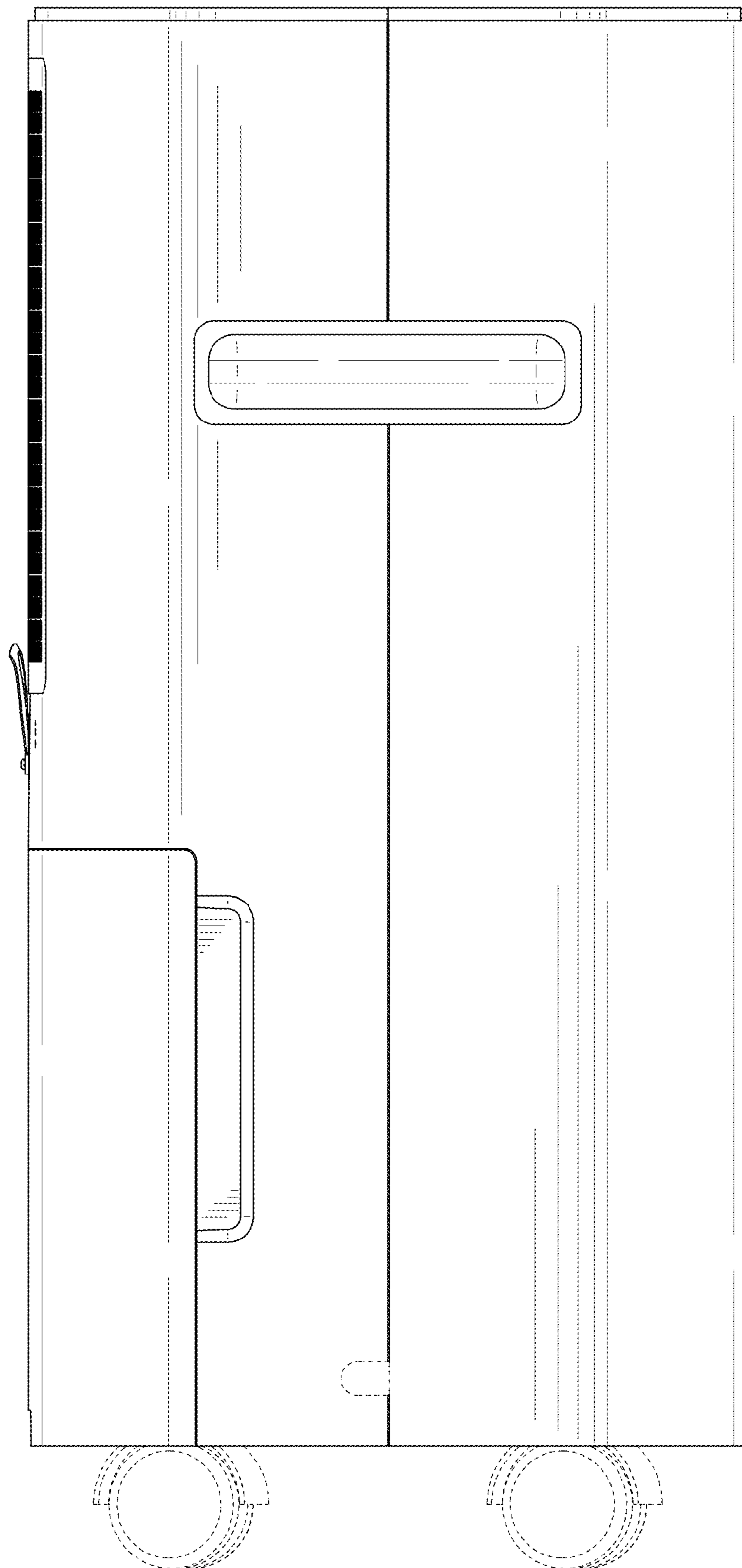


FIG. 5

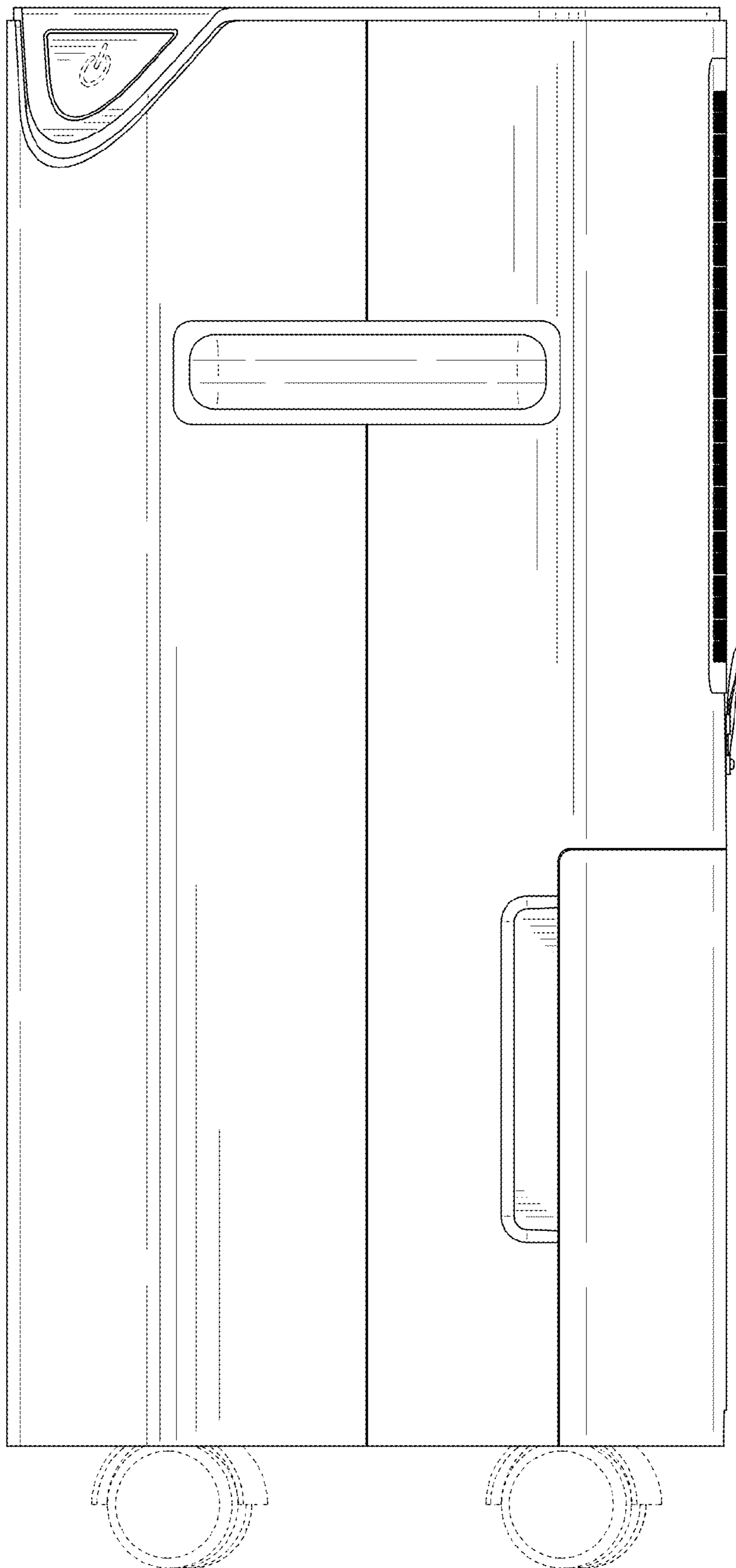


FIG. 6



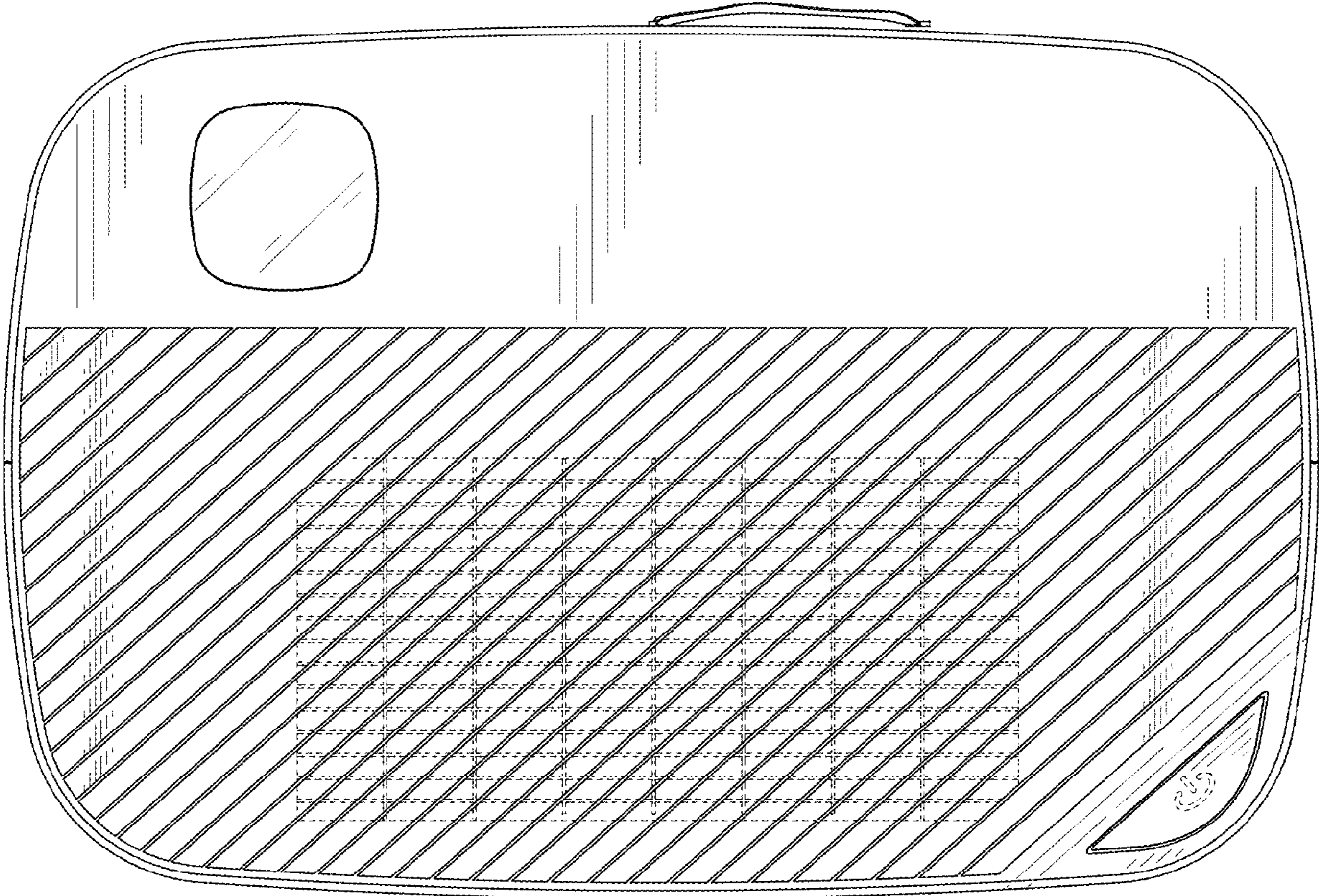


FIG. 7



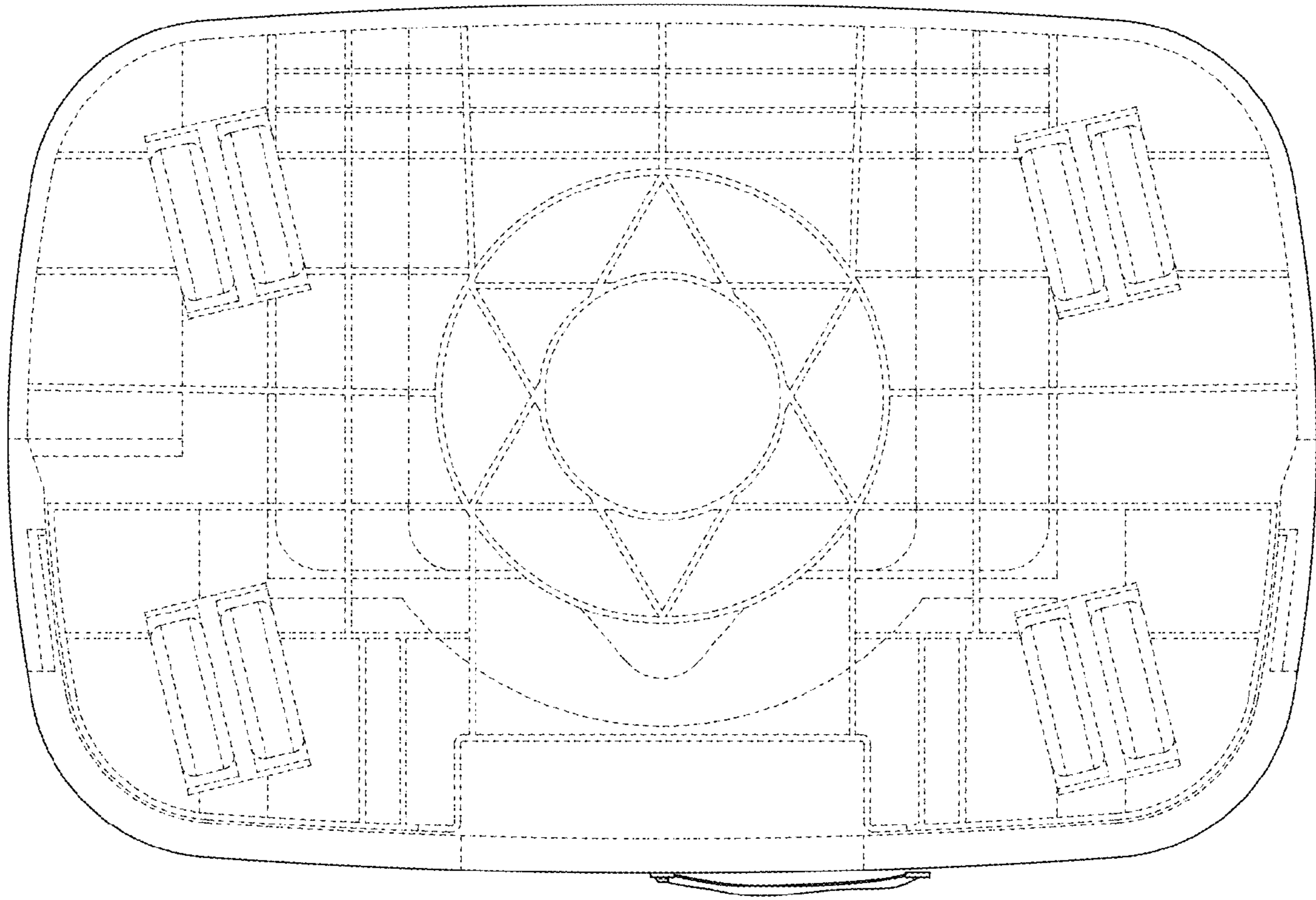


FIG. 8

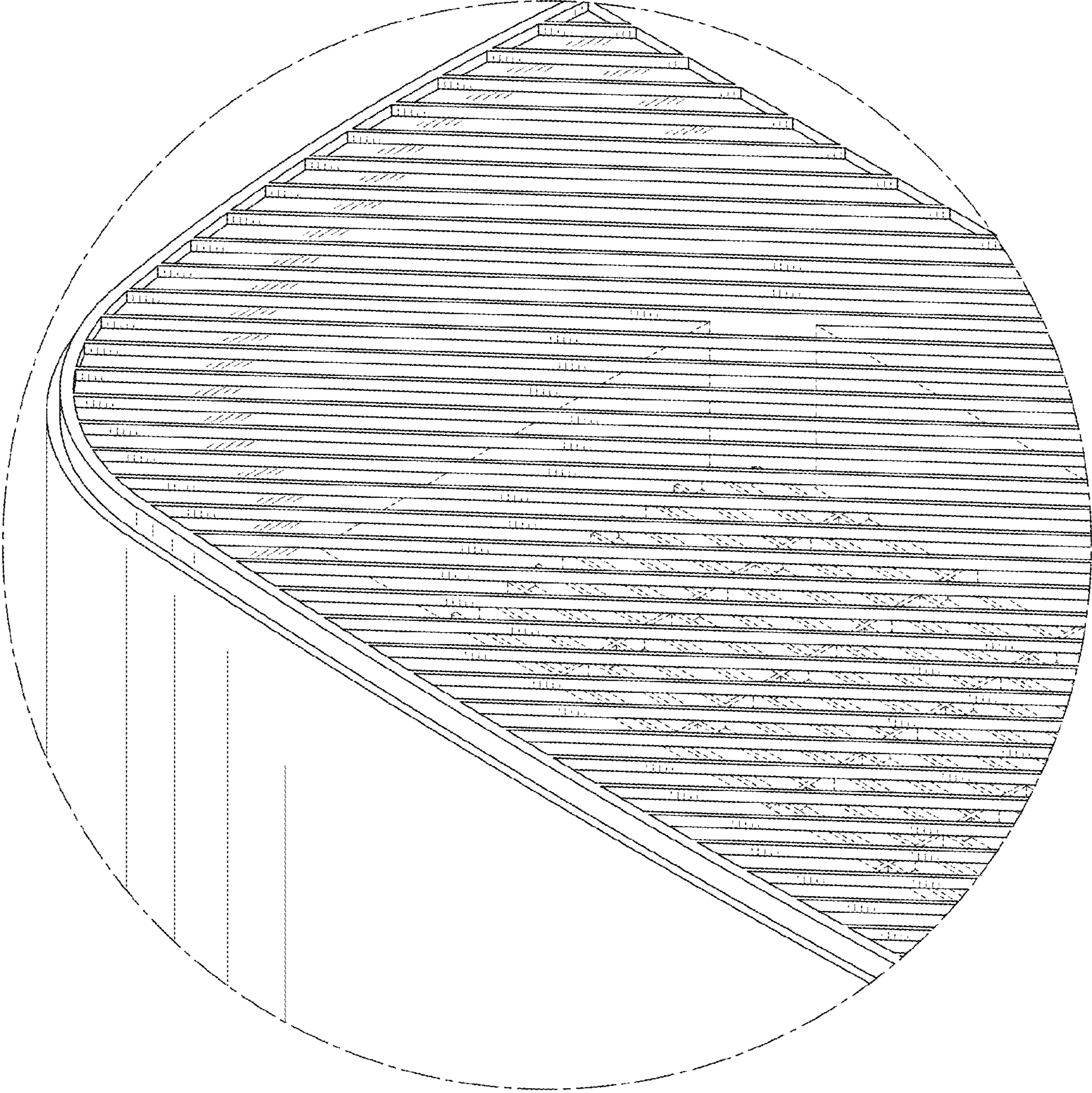


FIG. 9



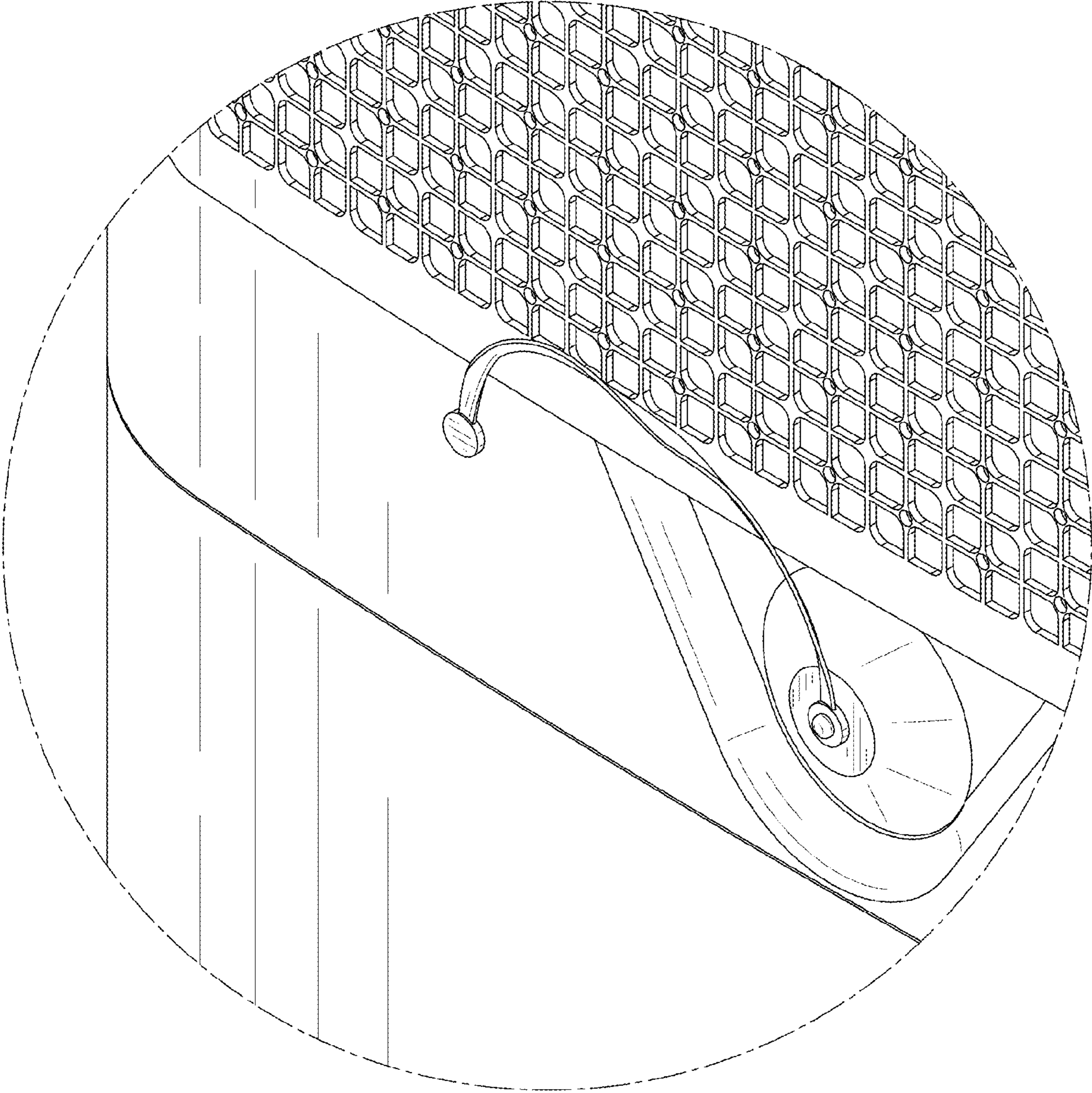


FIG. 10