



US00D918366S

(12) **United States Design Patent** (10) **Patent No.:** **US D918,366 S**  
**Li** (45) **Date of Patent:** **\*\* May 4, 2021**

(54) **DEHUMIDIFIER**  
(71) Applicant: **Shenzhen Kaysno Technology Co., Ltd**, Shenzhen (CN)  
(72) Inventor: **Wanting Li**, Dongguan (CN)  
(\*\*) Term: **15 Years**  
(21) Appl. No.: **29/764,330**  
(22) Filed: **Dec. 29, 2020**  
(51) **LOC (13) Cl.** ..... **23-04**  
(52) **U.S. Cl.**  
USPC ..... **D23/359**  
(58) **Field of Classification Search**  
USPC ..... D23/355–366, 352, 369, 332, 333, 335, D23/336, 342, 351; 422/120, 122; 55/356, 473, 504; 96/97; 261/DIG. 17, 261/DIG. 65, DIG. 88, DIG. 31  
CPC .. A61L 9/16; A61L 9/22; B01D 47/00; B01D 47/027; B01D 2221/02; B01D 2259/4508; B03C 3/155; B03C 3/368; F24F 3/16; F24F 13/20; F24F 13/28  
See application file for complete search history.

D865,148 S \* 10/2019 Yoon ..... D23/364  
D877,875 S \* 3/2020 Shin ..... D23/364  
D878,530 S \* 3/2020 Pan ..... D23/364  
D879,275 S 3/2020 Mano  
D882,055 S \* 4/2020 Ediger ..... D23/356  
D884,861 S 5/2020 Seymour et al.  
D893,009 S \* 8/2020 Choi ..... D23/364  
D905,840 S \* 12/2020 Cao ..... D23/364

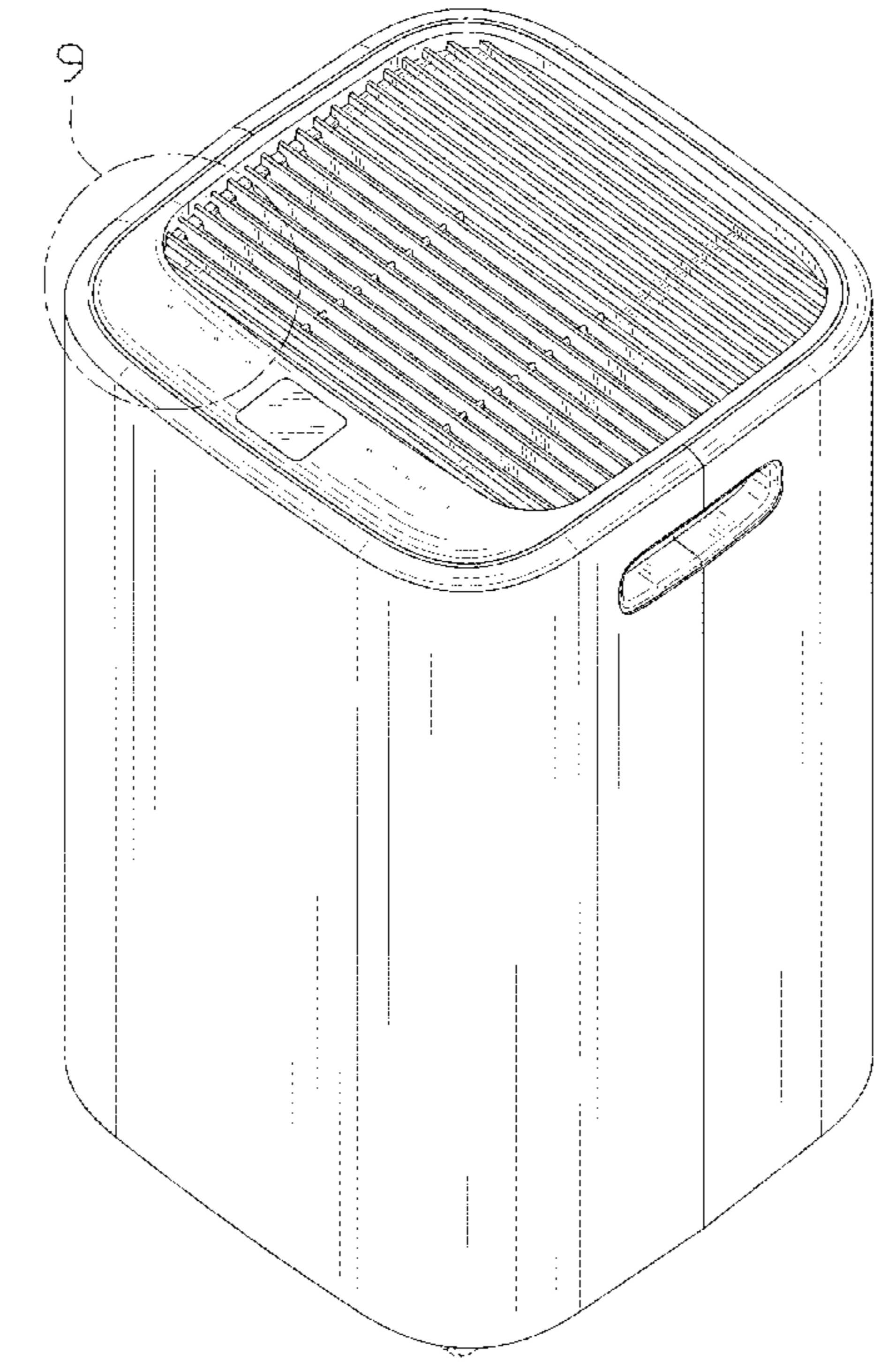
\* cited by examiner  
*Primary Examiner* — David G Muller

(56) **References Cited**  
U.S. PATENT DOCUMENTS  
D749,202 S \* 2/2016 Satou ..... D23/364  
D755,942 S \* 5/2016 Kim ..... D23/364  
D791,297 S \* 7/2017 Ljungstrom ..... D23/364  
9,873,127 B2 \* 1/2018 Kim ..... B03C 3/12  
D840,011 S 2/2019 Seymour et al.  
D844,766 S \* 4/2019 Miao ..... D23/364  
D852,344 S \* 6/2019 Hua ..... D23/364  
D862,673 S \* 10/2019 Tang ..... D23/364

(57) **CLAIM**  
The ornamental design for a dehumidifier, as shown and described.

**DESCRIPTION**  
FIG. 1 is a first perspective view of a dehumidifier showing my new design;  
FIG. 2 is a second perspective view thereof;  
FIG. 3 is a front view thereof;  
FIG. 4 is a back view thereof;  
FIG. 5 is a left side view thereof;  
FIG. 6 is a right side view thereof;  
FIG. 7 is a top view thereof;  
FIG. 8 is a bottom view thereof;  
FIG. 9 is an enlarged view of the selected portion in FIG. 1; and,  
FIG. 10 is an enlarged view of the selected portion in FIG. 2.  
The broken lines shown in the drawings depict portions of the dehumidifier in which the design is embodied that form no part of the claimed design.

**1 Claim, 10 Drawing Sheets**



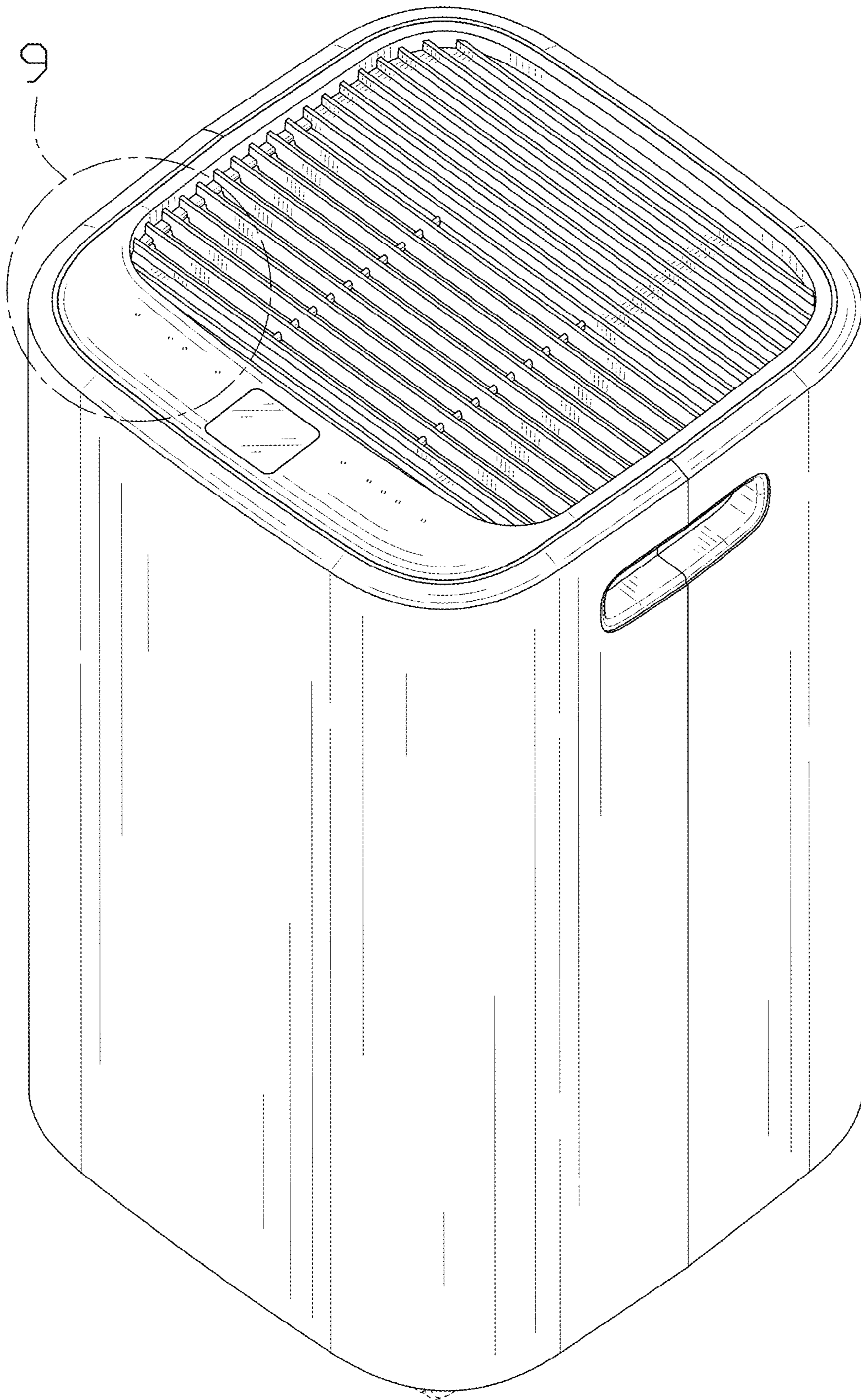


FIG. 1



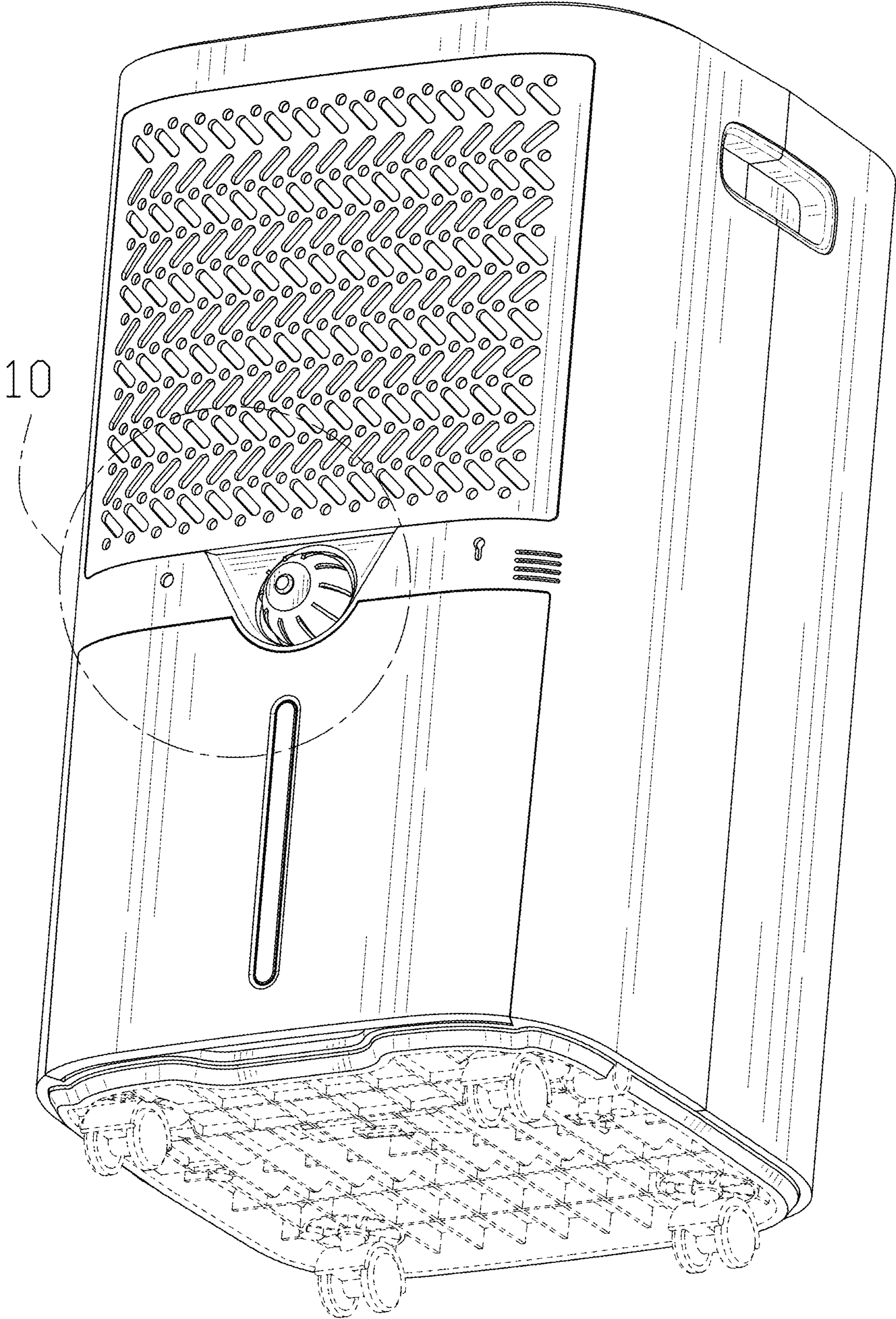


FIG. 2

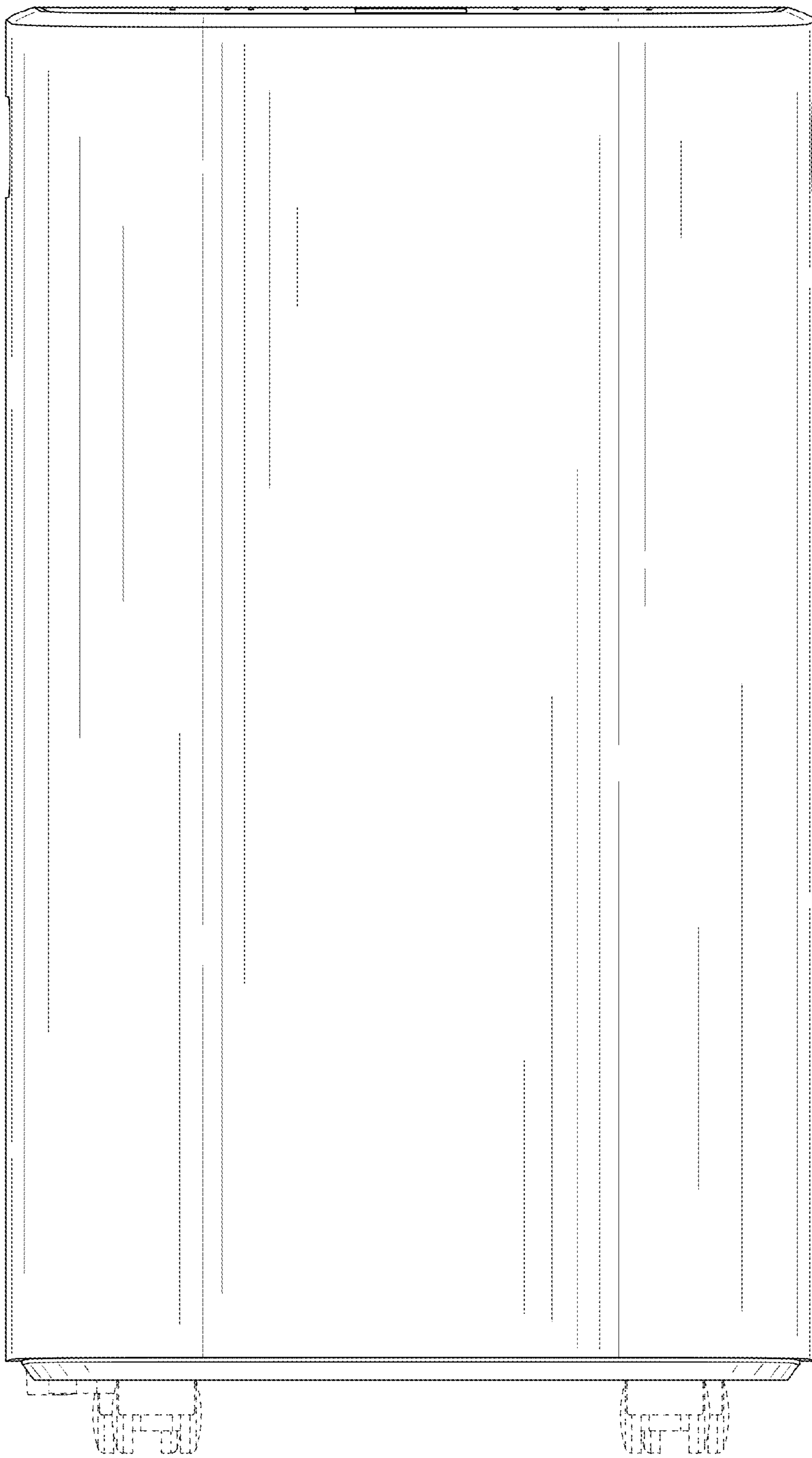


FIG. 3



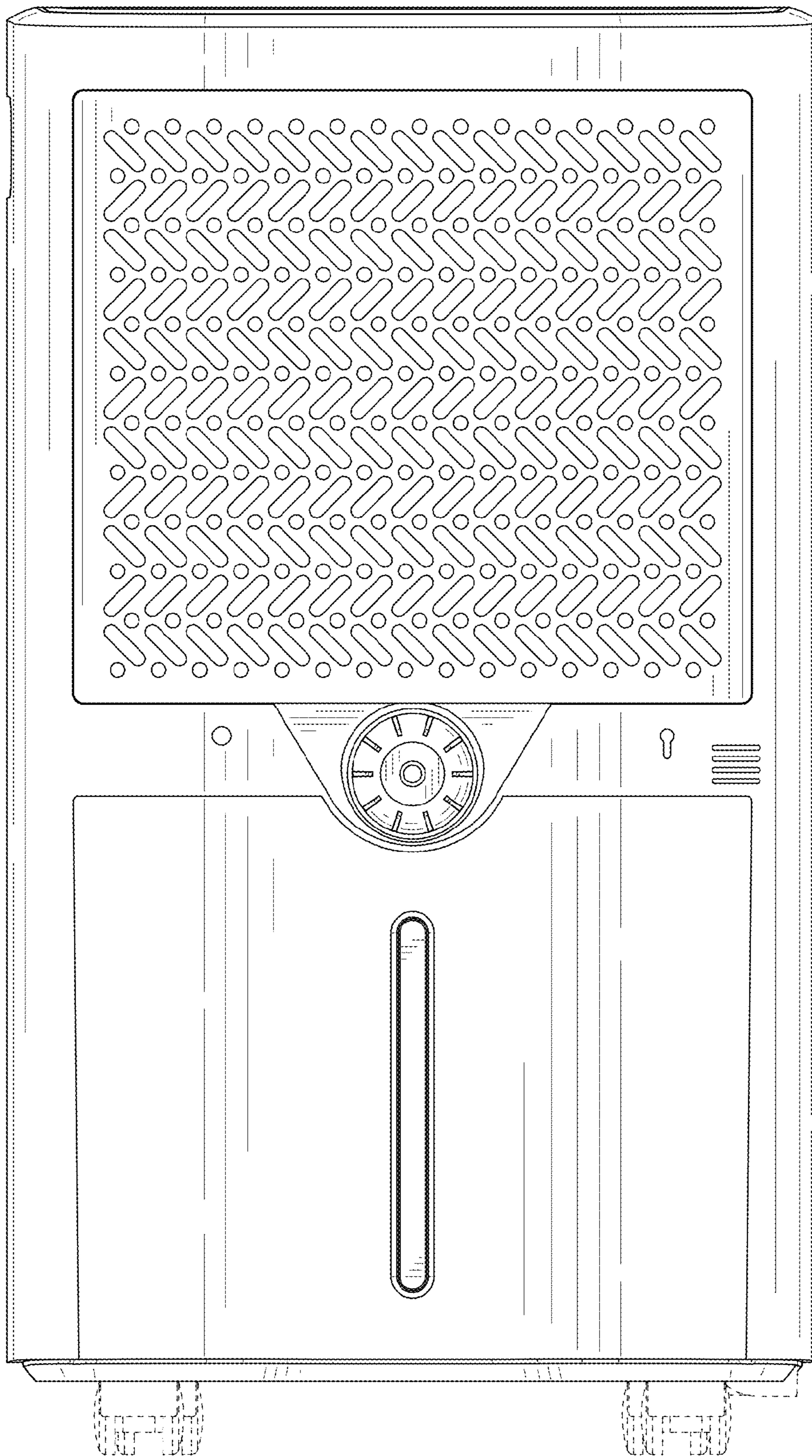


FIG. 4

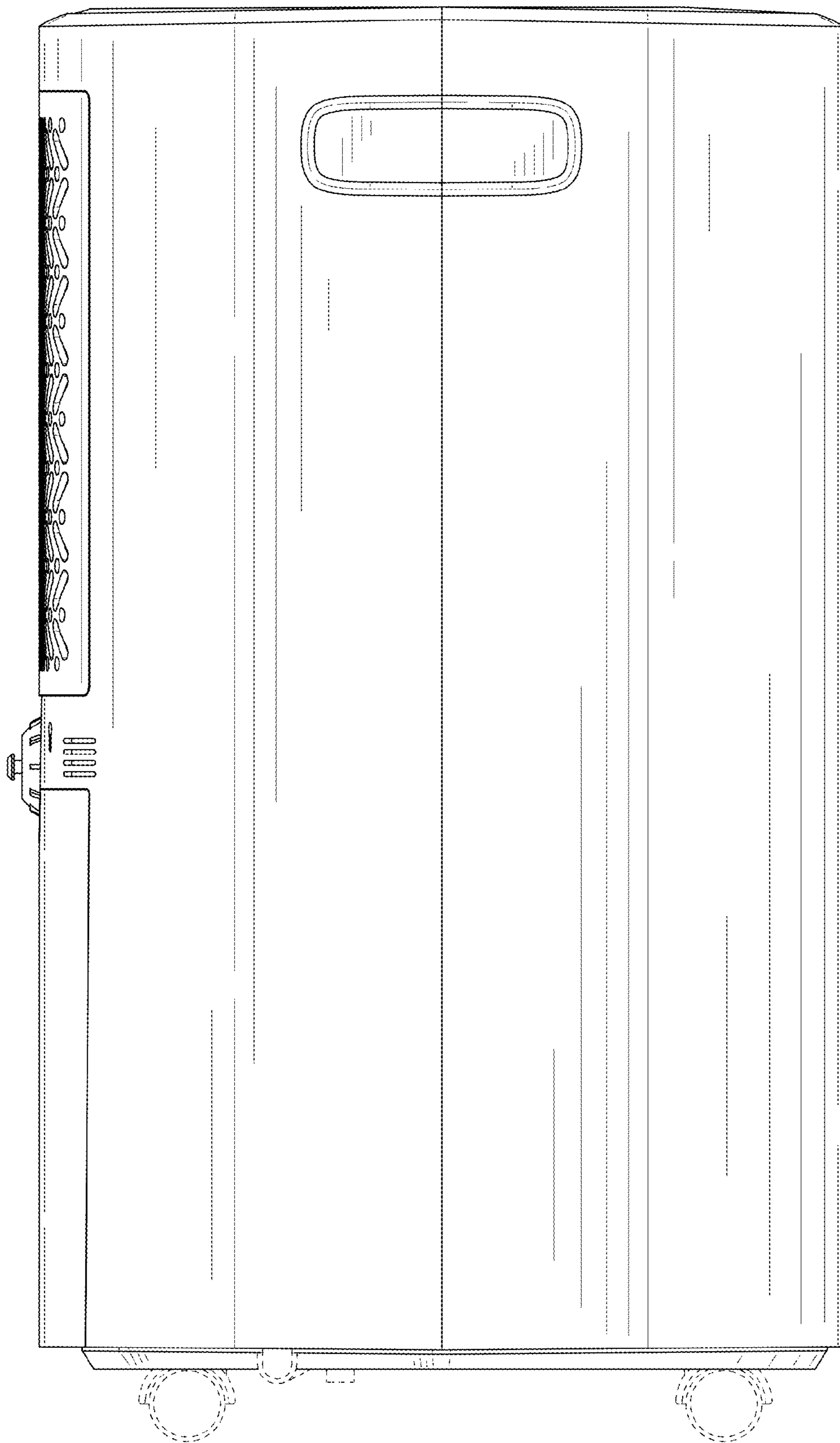


FIG. 5

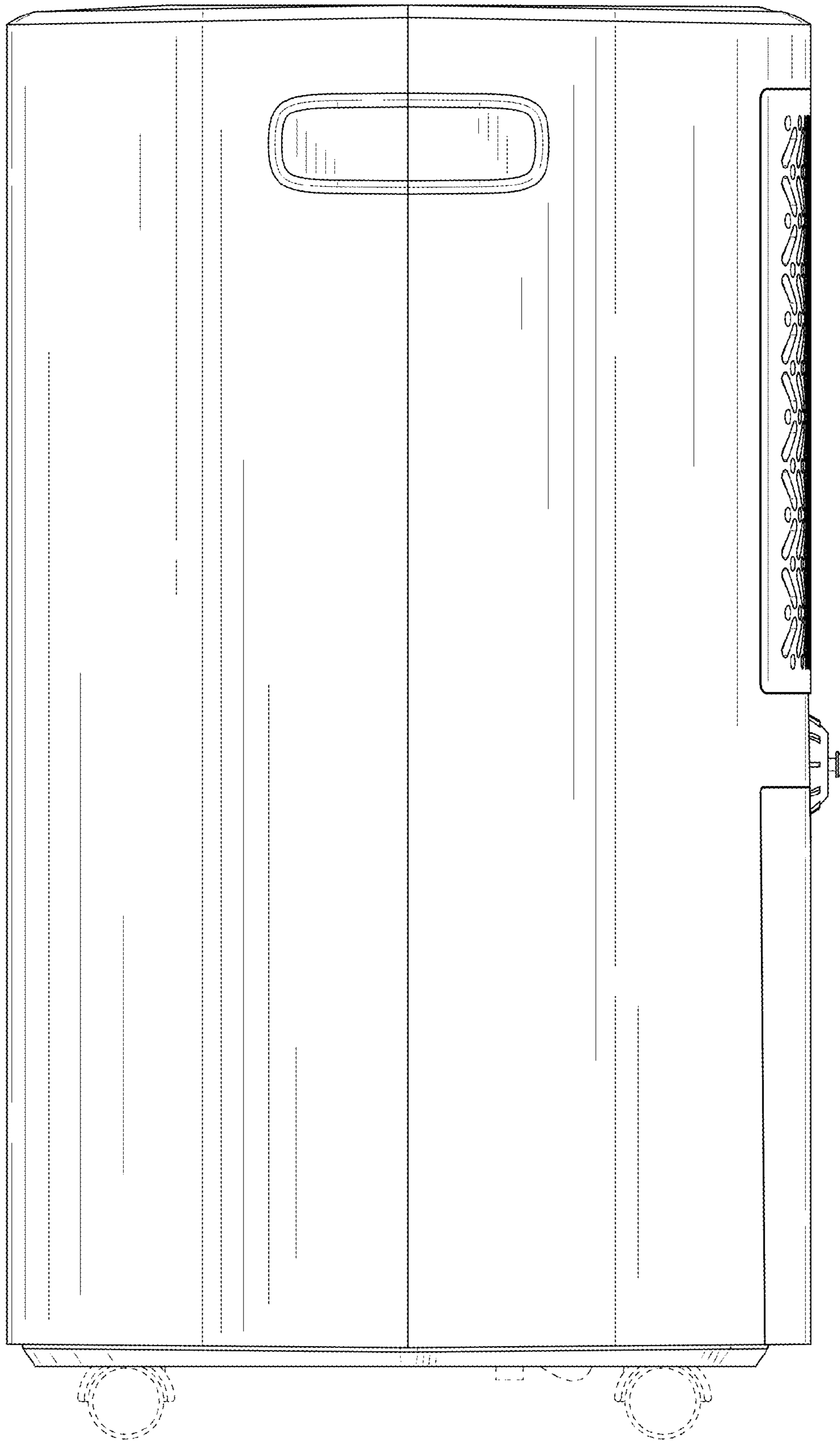


FIG. 6

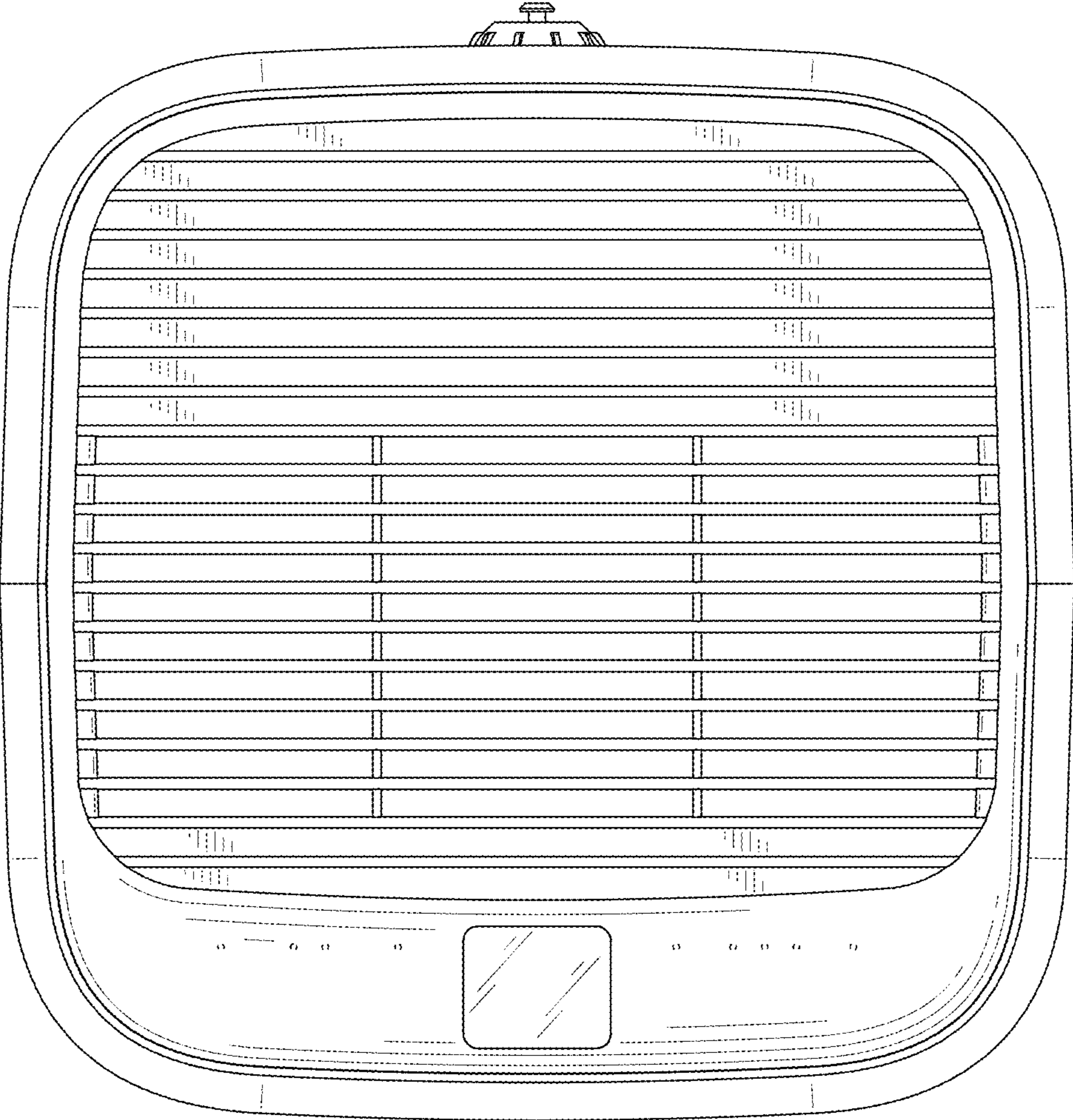


FIG. 7



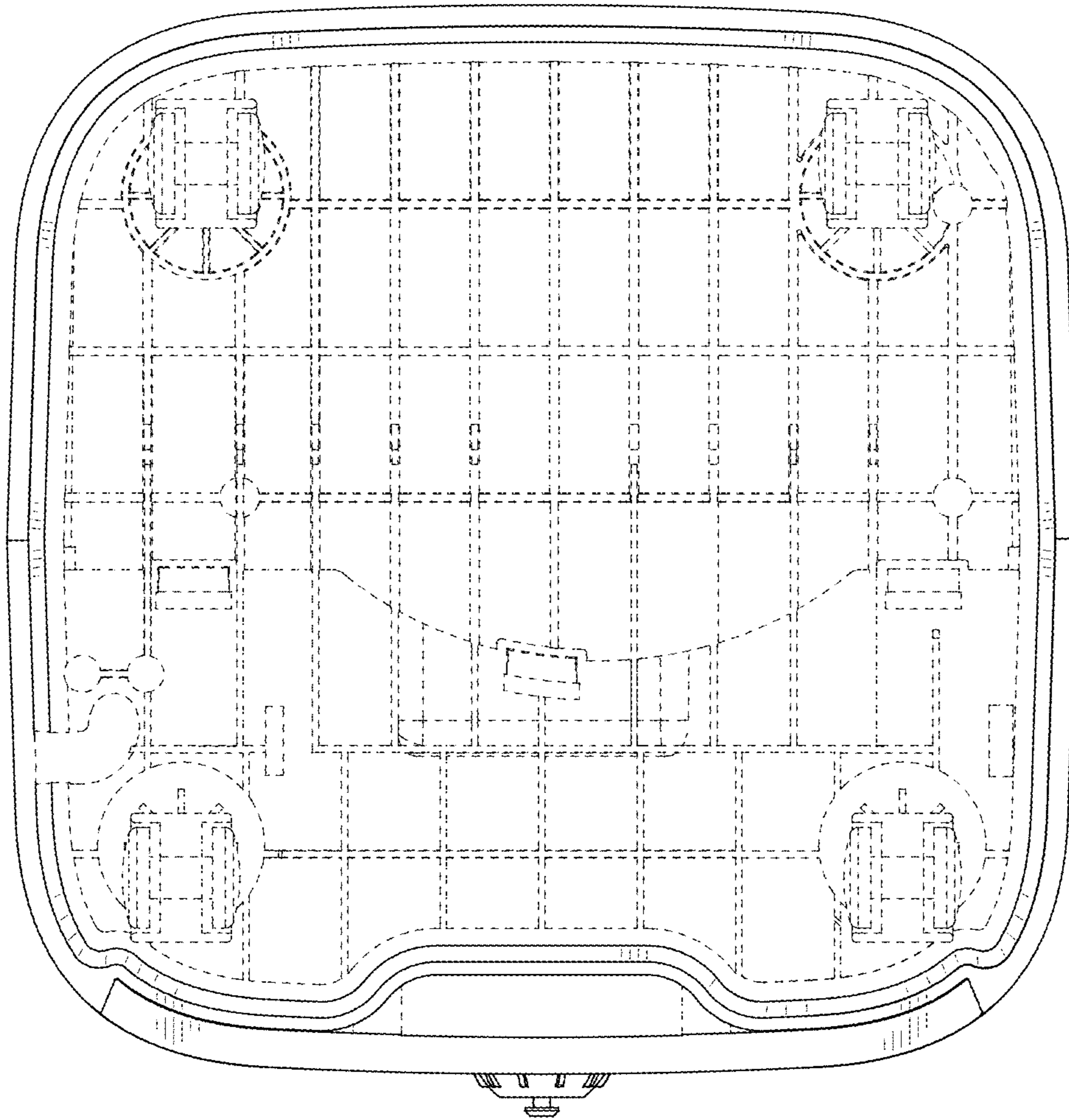


FIG. 8

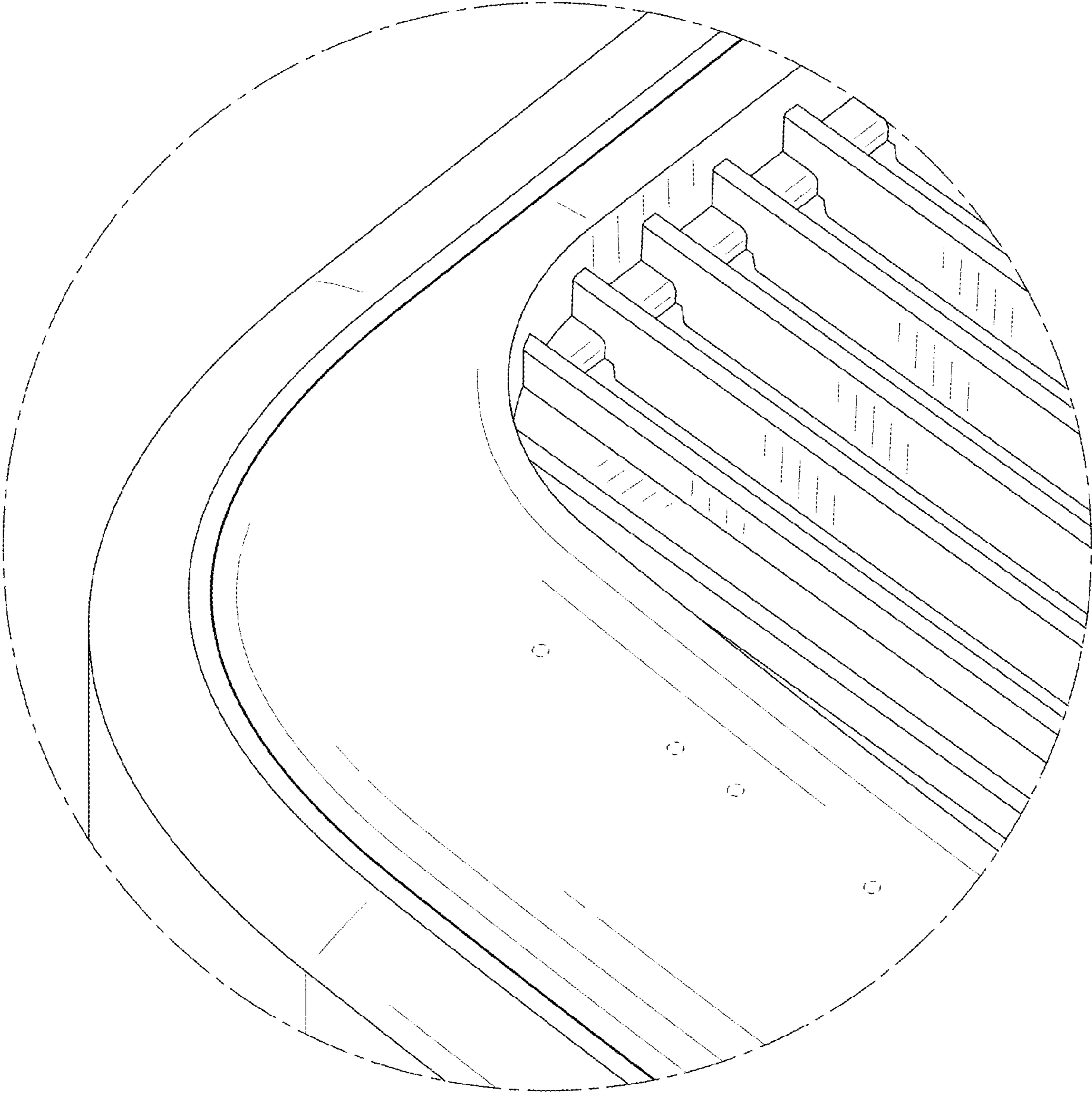


FIG. 9

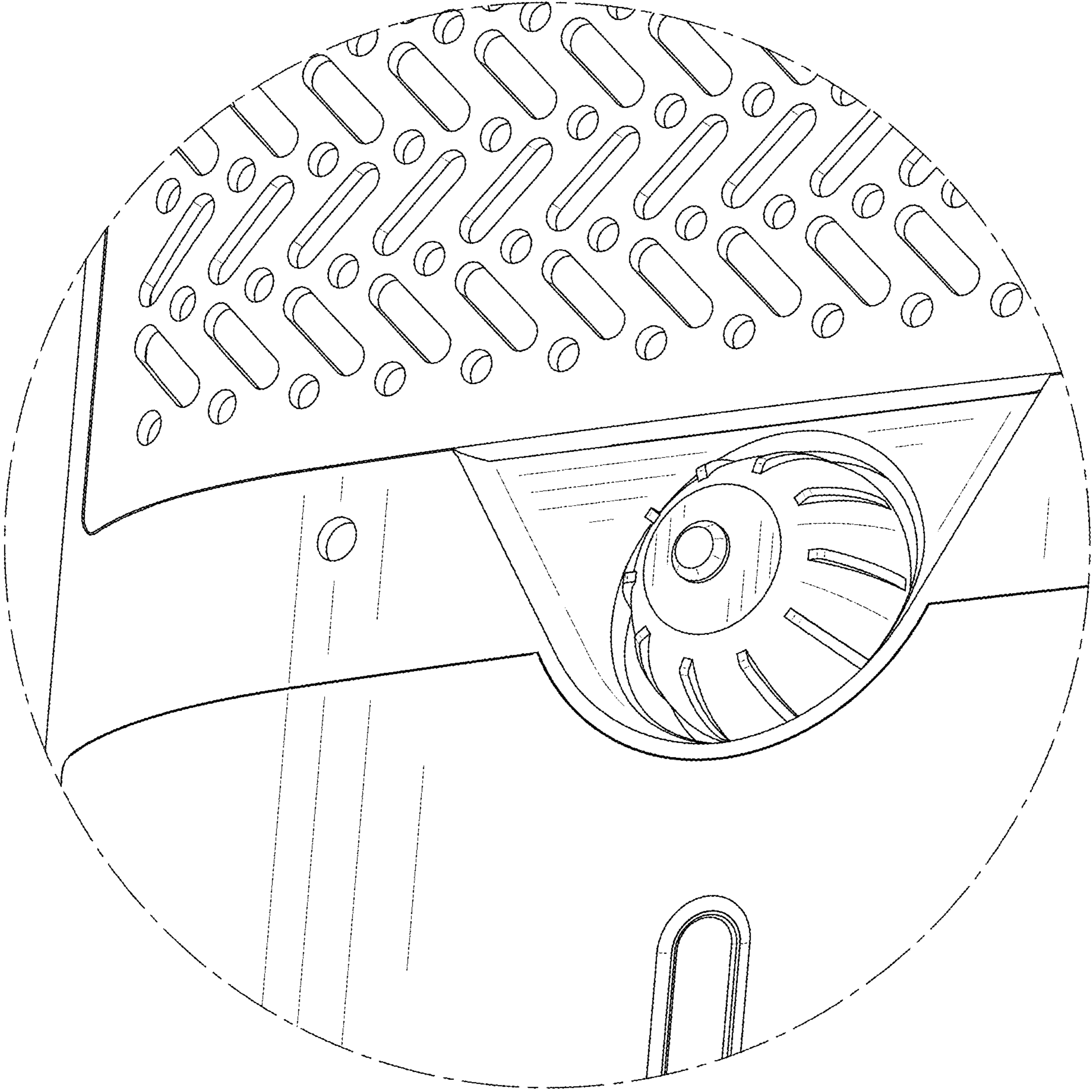


FIG. 10