



US00D918365S

(12) **United States Design Patent** (10) **Patent No.:** **US D918,365 S**
Li (45) **Date of Patent:** **** May 4, 2021**

(54) **DEHUMIDIFIER**
(71) Applicant: **Shenzhen Kaysno Technology Co., Ltd**, Shenzhen (CN)
(72) Inventor: **Wanting Li**, Dongguan (CN)
(**) Term: **15 Years**
(21) Appl. No.: **29/764,329**
(22) Filed: **Dec. 29, 2020**
(51) **LOC (13) Cl.** **23-04**
(52) **U.S. Cl.**
USPC **D23/359**
(58) **Field of Classification Search**
USPC D23/355–366, 352, 369, 332, 333, 335, D23/336, 342, 351; 422/120, 122; 55/356, 473, 504; 96/97; 261/DIG. 17, 261/DIG. 65, DIG. 88, DIG. 31
CPC .. A61L 9/16; A61L 9/22; B01D 47/00; B01D 47/027; B01D 2221/02; B01D 2259/4508; B03C 3/155; B03C 3/368; F24F 3/16; F24F 13/20; F24F 13/28
See application file for complete search history.

D893,009 S * 8/2020 Choi D23/364
D893,693 S * 8/2020 Xiao D23/356
D894,359 S * 8/2020 Choi D23/364
D895,093 S * 9/2020 Nakamura D23/364
D905,840 S * 12/2020 Cao D23/364
D908,198 S * 1/2021 Yoon D23/364
10,928,081 B2 * 2/2021 Cho F24F 3/14
D912,236 S * 3/2021 Hernandez D23/364

* cited by examiner

Primary Examiner — David G Muller

(57) **CLAIM**

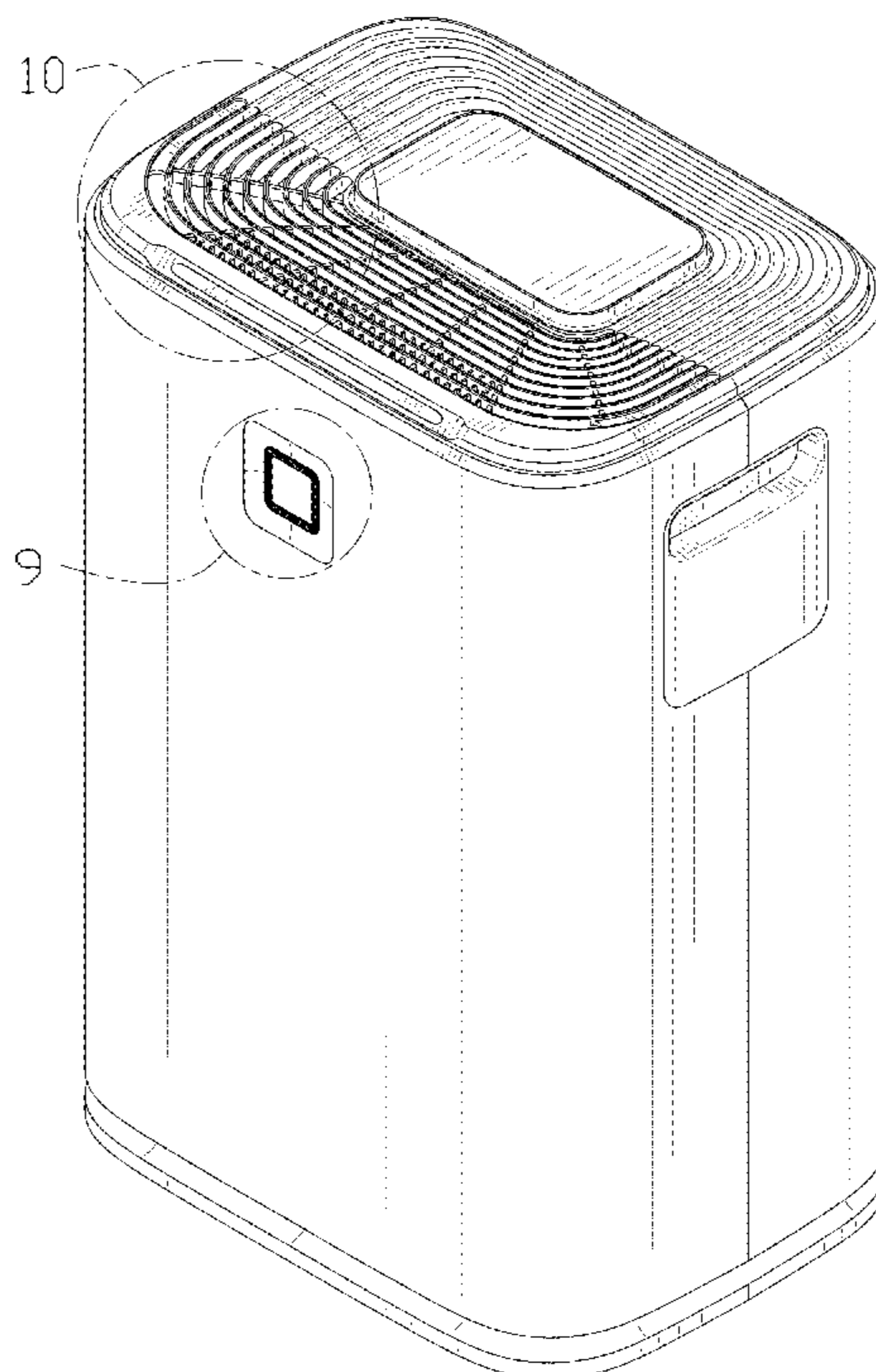
The ornamental design for a dehumidifier, as shown and described.

DESCRIPTION

FIG. 1 is a first perspective view of a dehumidifier showing my new design;
FIG. 2 is a second perspective view thereof;
FIG. 3 is a front view thereof;
FIG. 4 is a back view thereof;
FIG. 5 is a left side view thereof;
FIG. 6 is a right side view thereof;
FIG. 7 is a top view thereof;
FIG. 8 is a bottom view thereof;
FIG. 9 is an enlarged view of the selected portion in FIG. 1; and,
FIG. 10 is an enlarged view of the selected portion in FIG. 1.
The broken lines shown in the drawings depict portions of the dehumidifier in which the design is embodied that form no part of the claimed design.

(56) **References Cited**
U.S. PATENT DOCUMENTS
D840,011 S 2/2019 Seymour et al.
D840,012 S * 2/2019 Zhou D23/359
D844,766 S * 4/2019 Miao D23/364
D878,530 S * 3/2020 Pan D23/364
D879,273 S * 3/2020 Shih D23/356
D879,275 S 3/2020 Mano
D884,861 S 5/2020 Seymour et al.
D886,974 S * 6/2020 Miyawaki D23/356

1 Claim, 10 Drawing Sheets



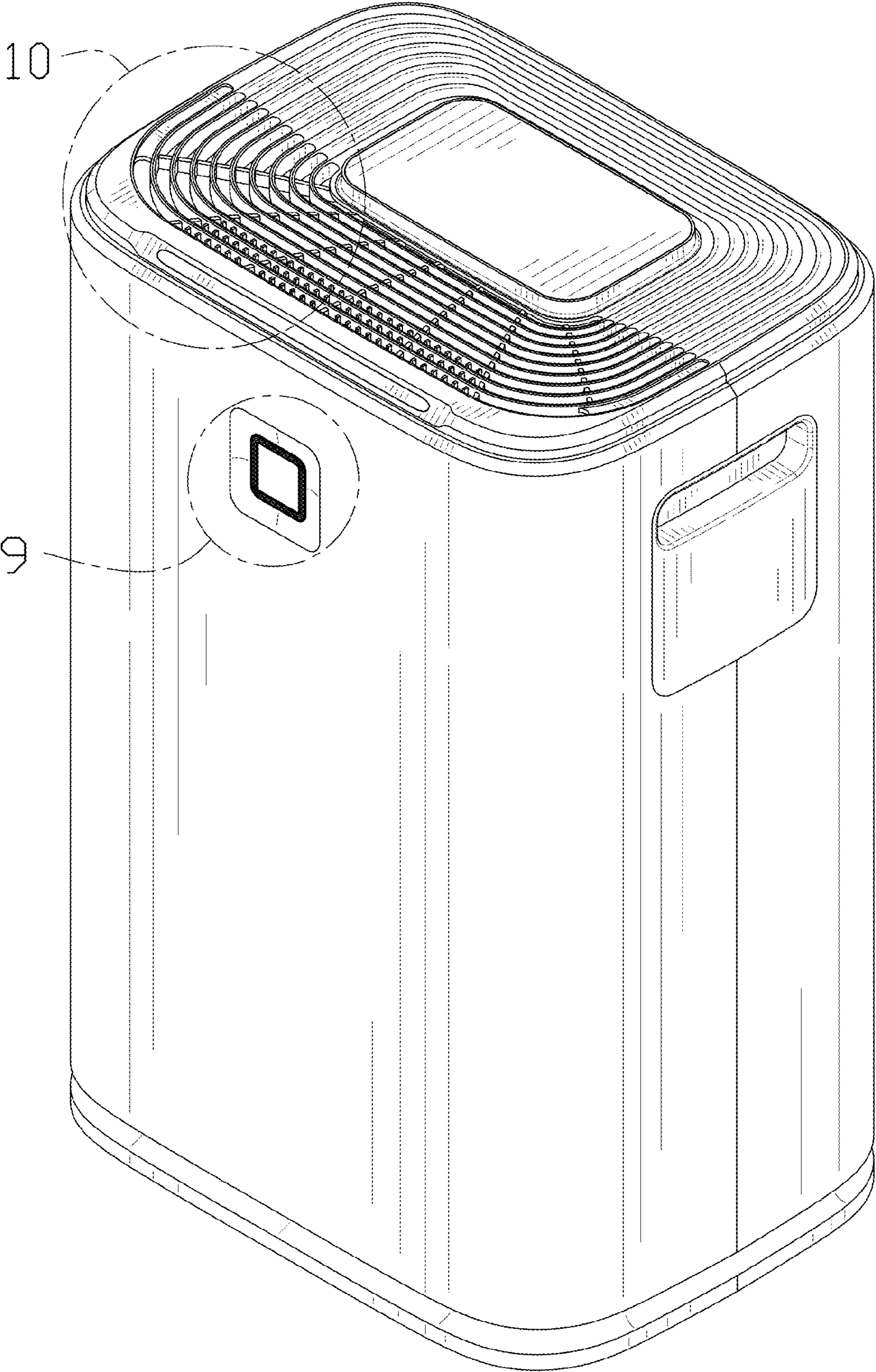


FIG. 1

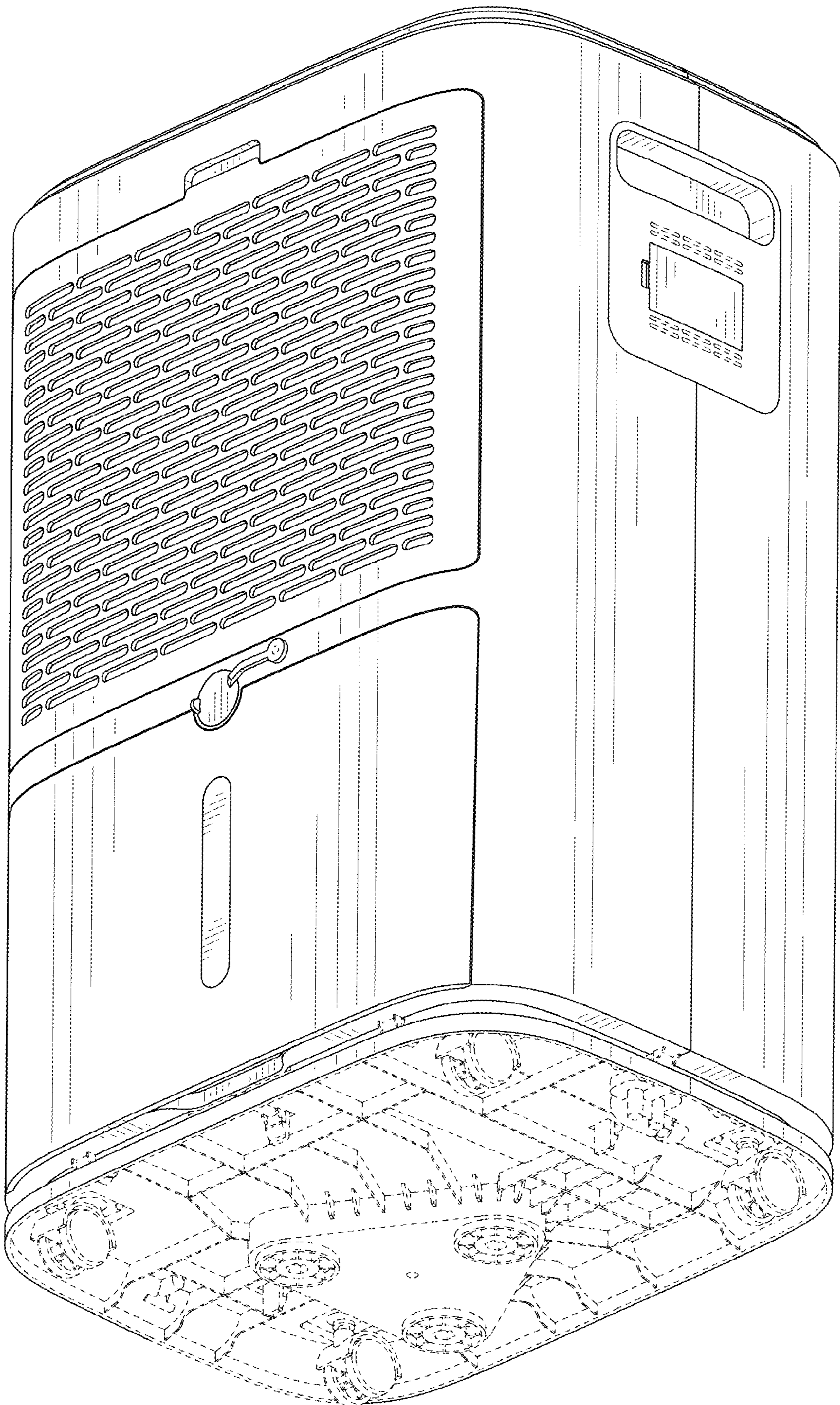


FIG. 2

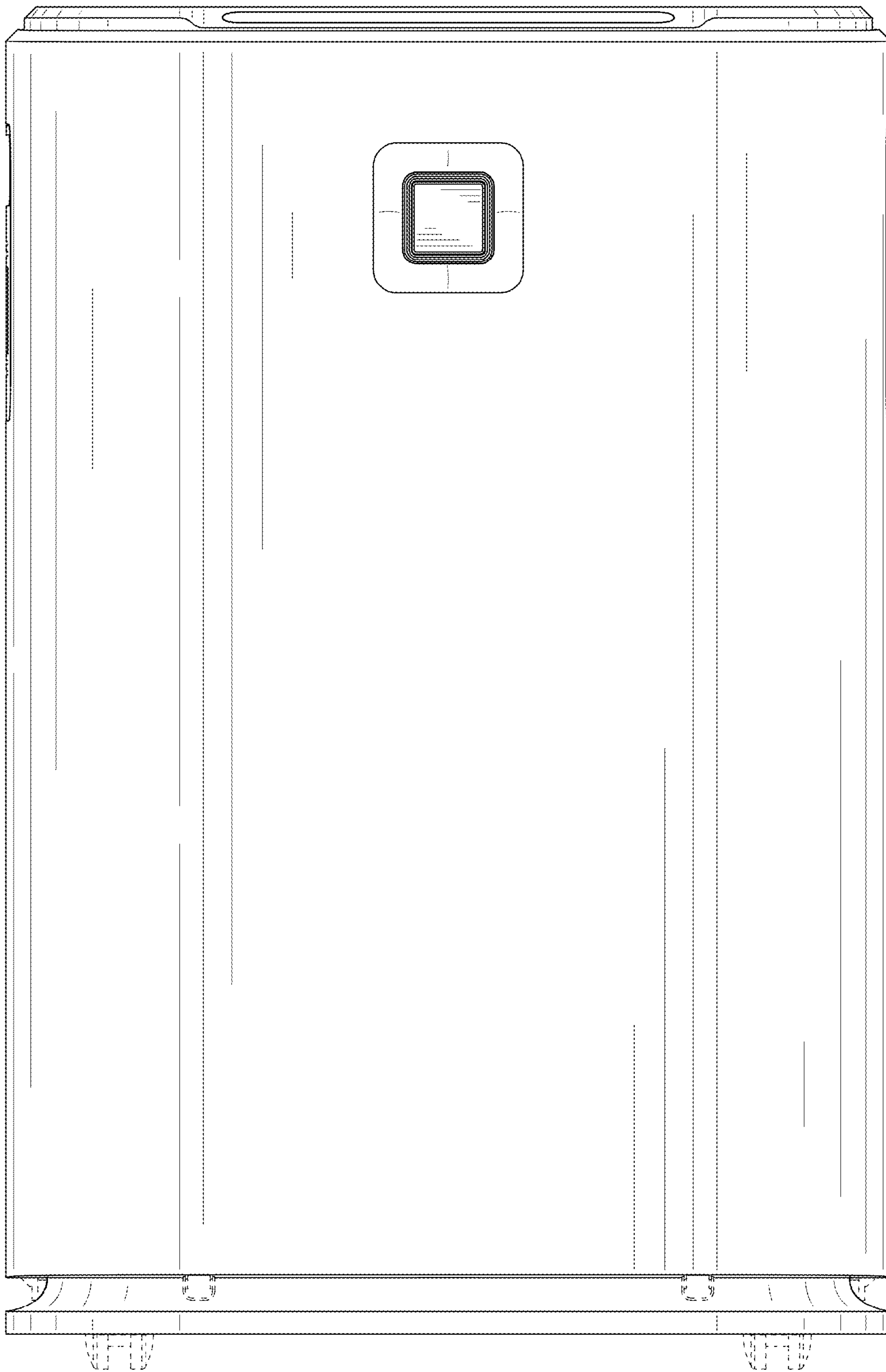


FIG. 3

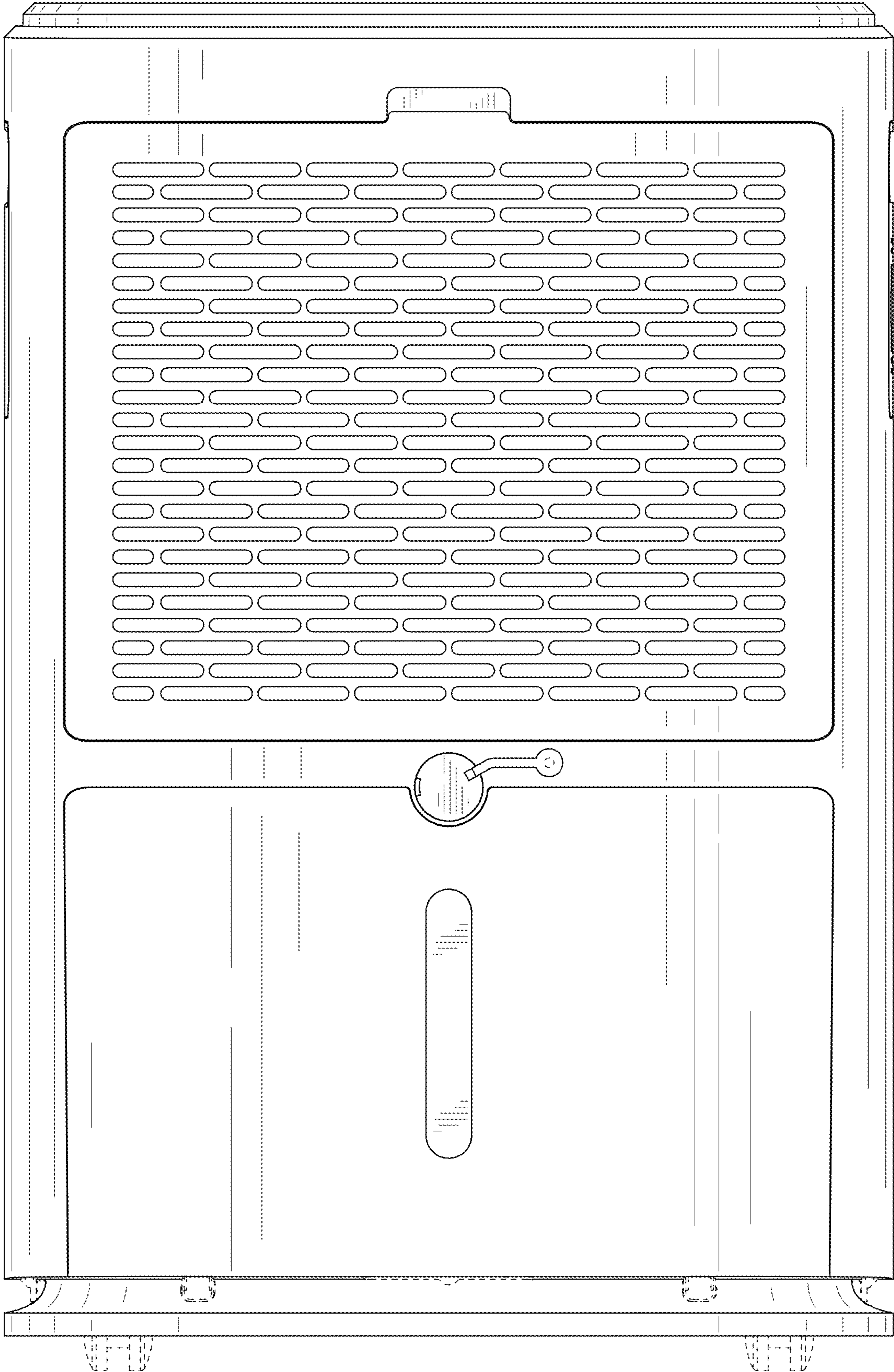


FIG. 4

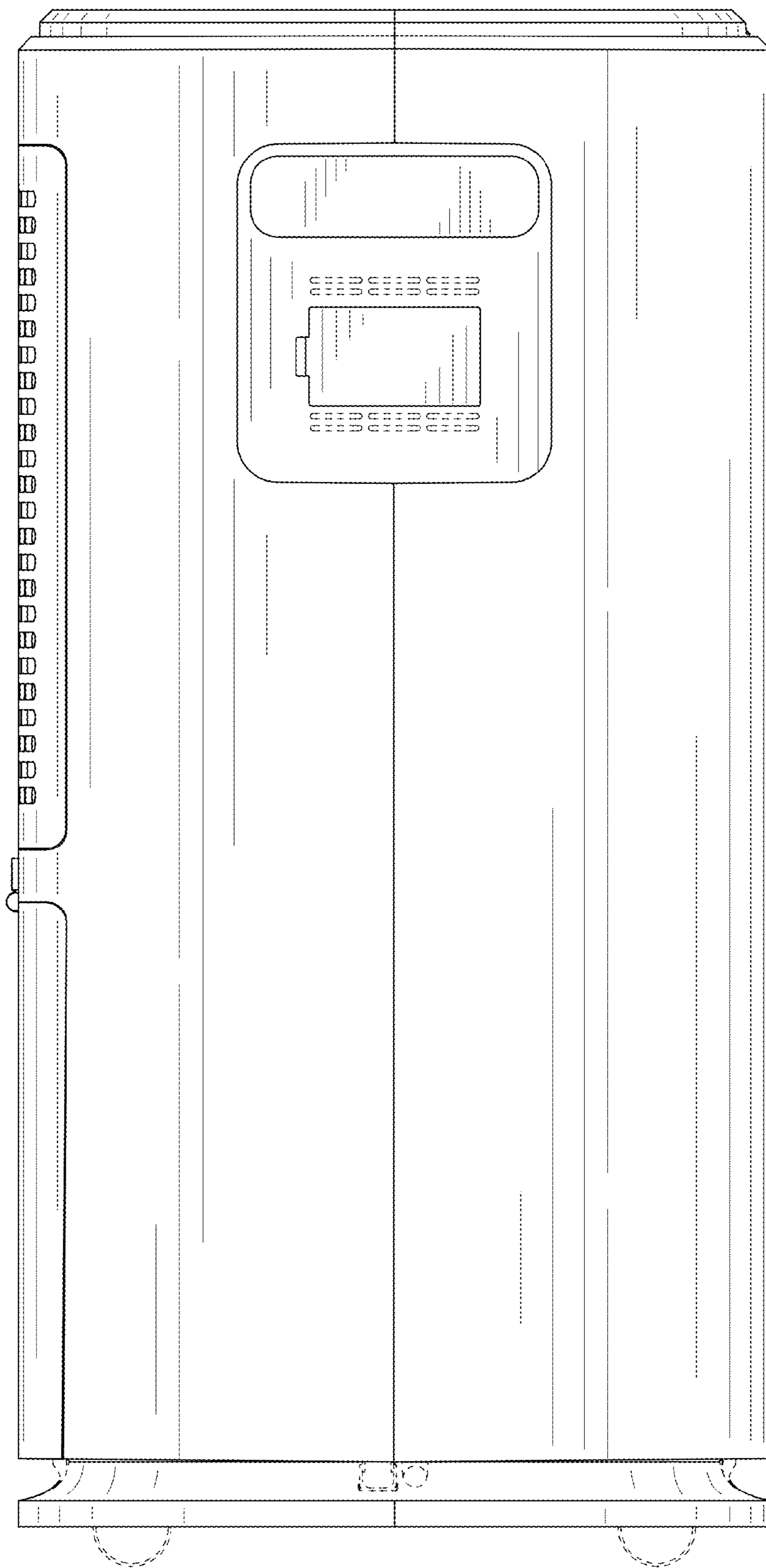


FIG. 5

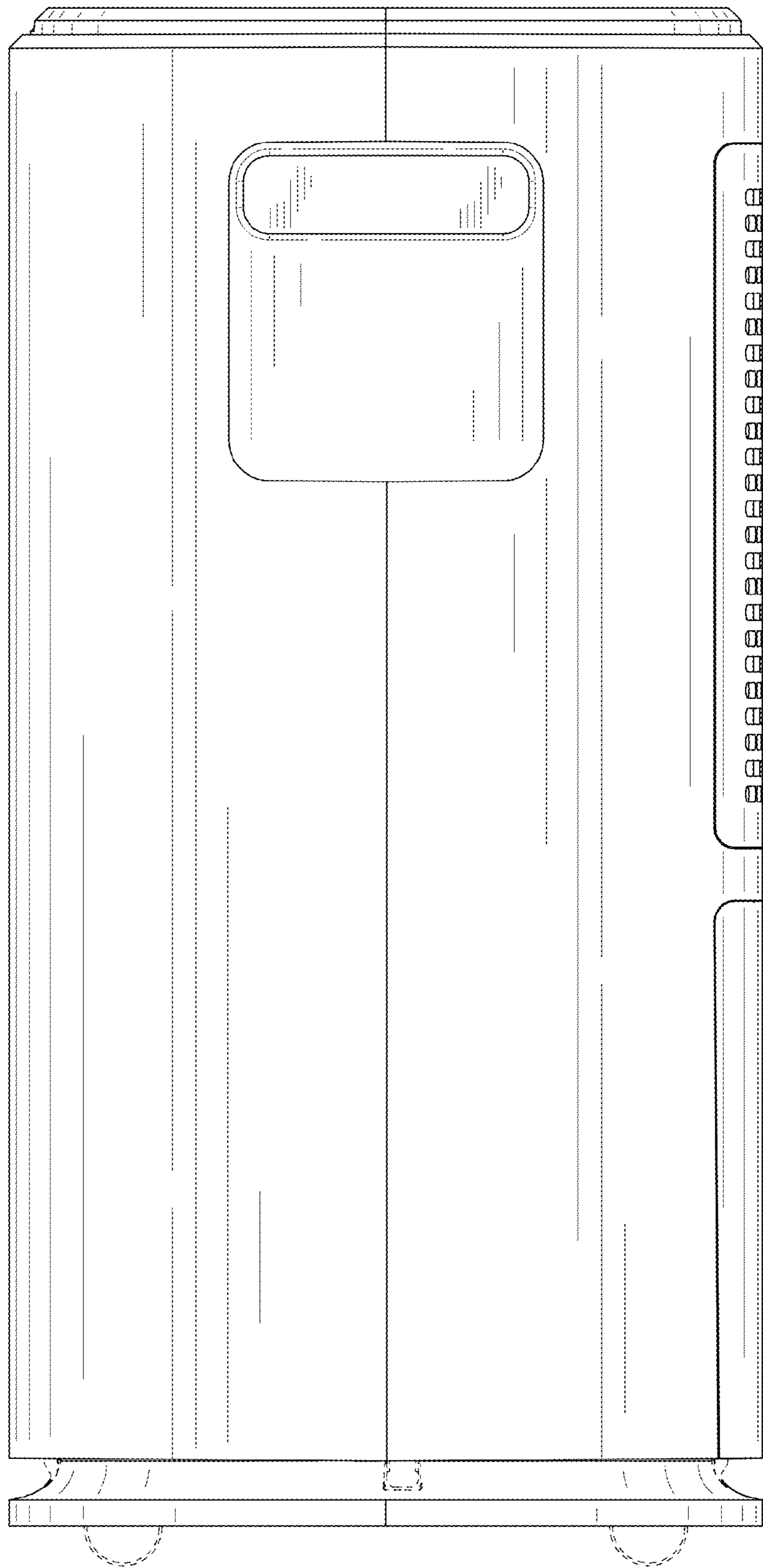


FIG. 6

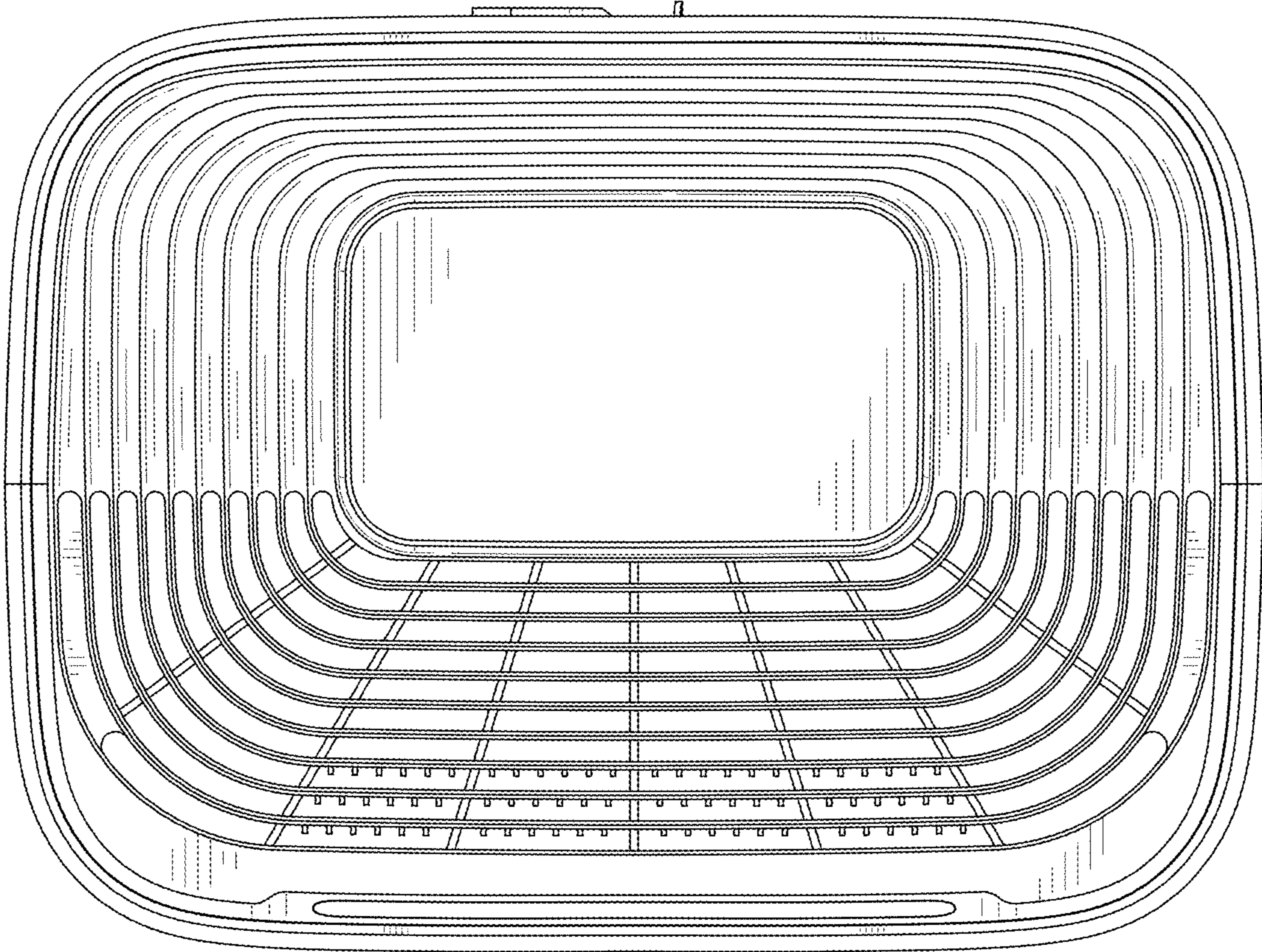


FIG. 7

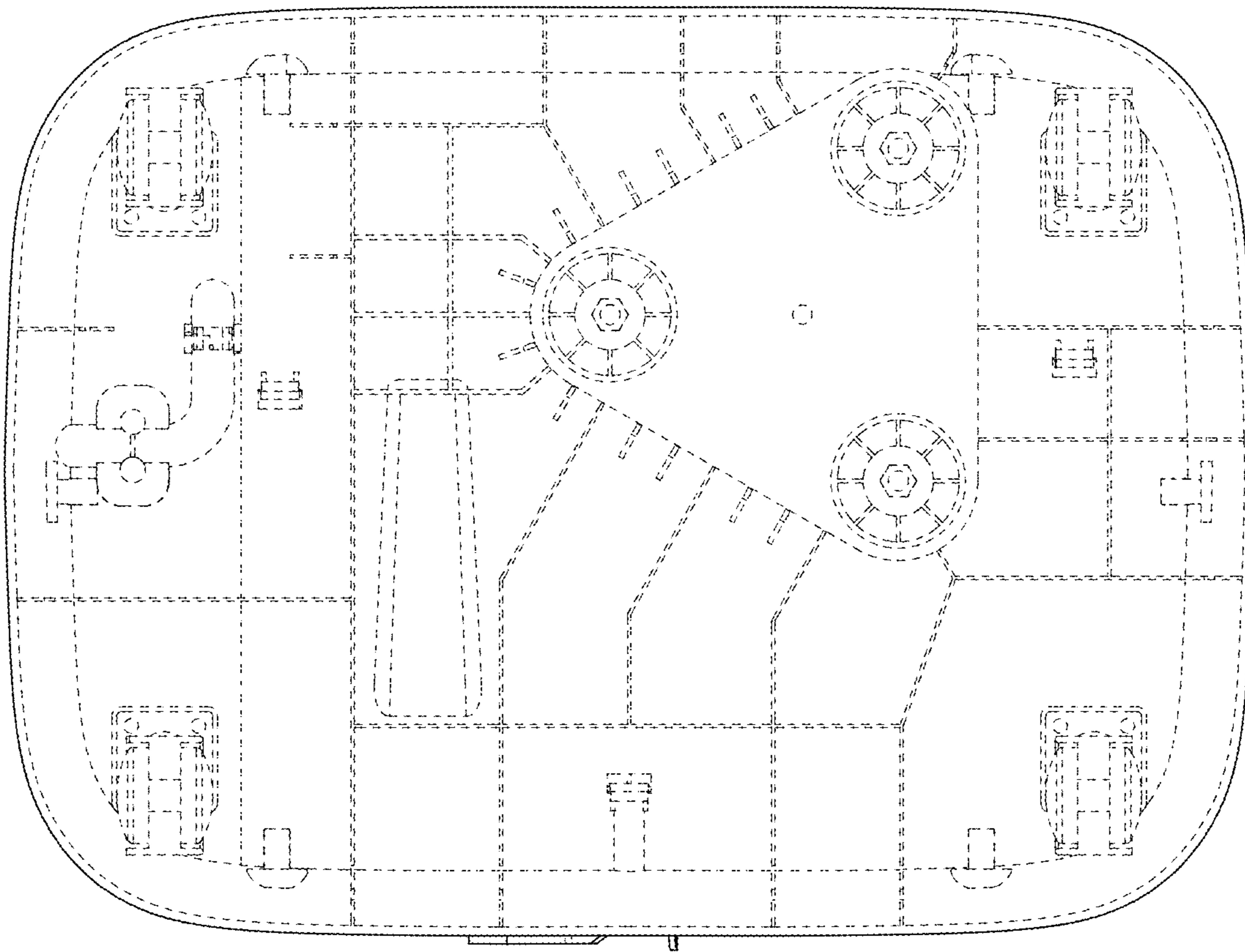


FIG. 8

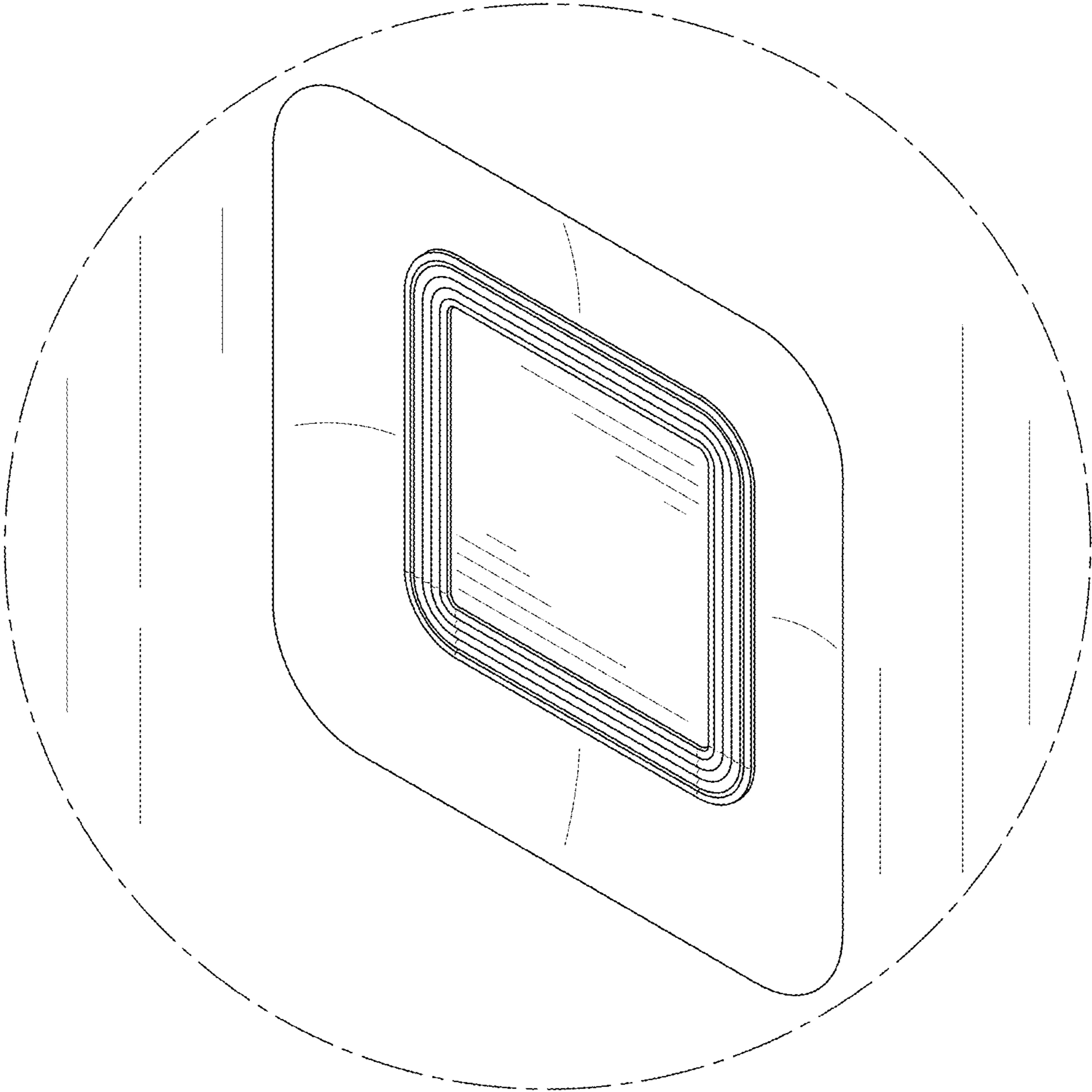


FIG. 9

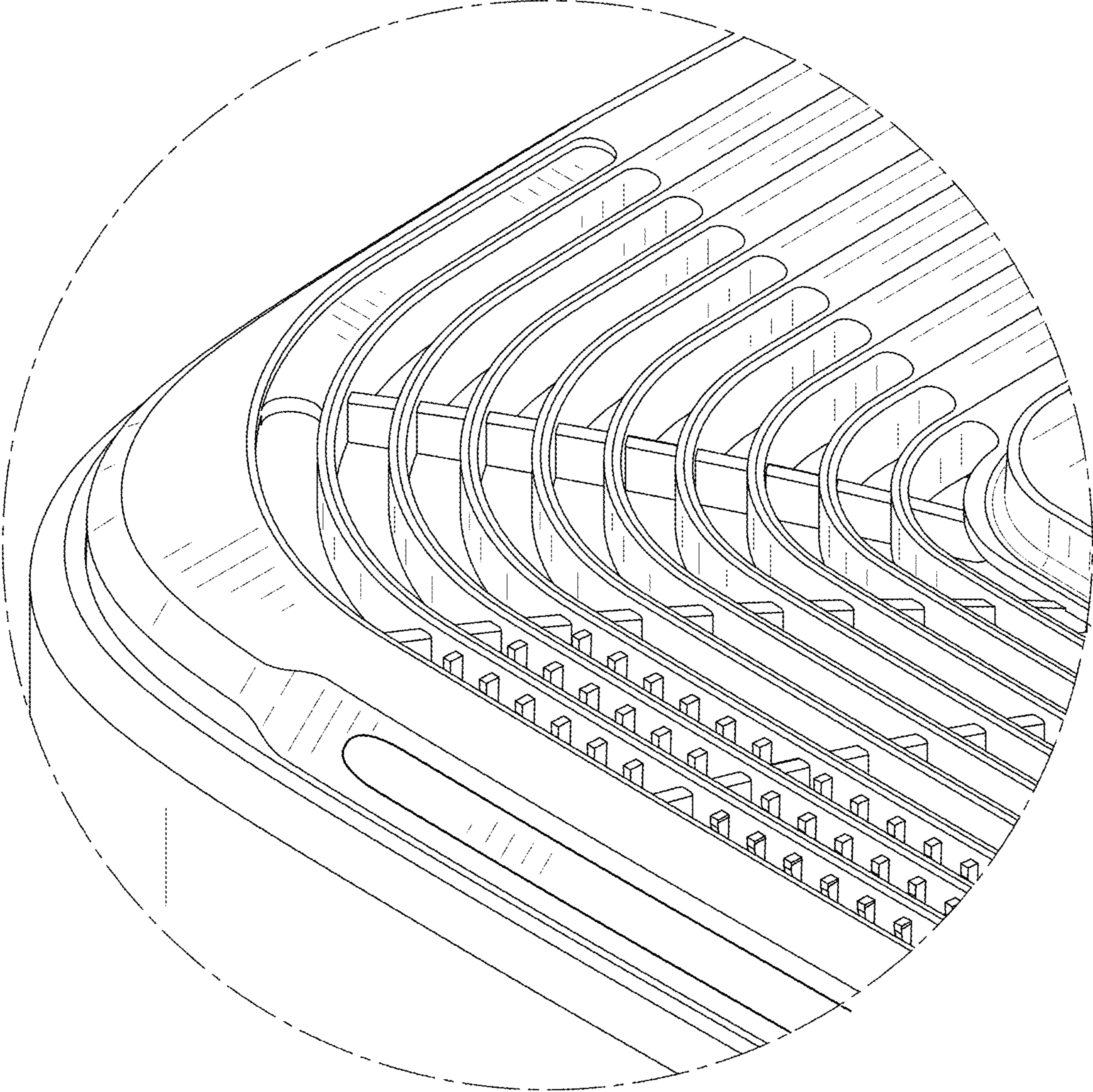


FIG. 10