



US00D918362S

(12) **United States Design Patent** (10) **Patent No.:** **US D918,362 S**
Cleine (45) **Date of Patent:** **** May 4, 2021**

(54) **FIRE PIT**
(71) Applicant: **Kenneth David Cleine**, Hydeaway Bay (AU)
(72) Inventor: **Kenneth David Cleine**, Hydeaway Bay (AU)
(**) Term: **15 Years**
(21) Appl. No.: **29/715,712**

2010/0288261 A1* 11/2010 Jones F24C 3/00
126/25 R
2012/0260904 A1* 10/2012 Russell F24B 1/192
126/25 R
2015/0075511 A1* 3/2015 Kramer F24B 1/19
126/150
2015/0168015 A1* 6/2015 Marple F24H 9/1881
126/77
2015/0305561 A1* 10/2015 Andol A47J 37/0704
126/25 A
2015/0327723 A1* 11/2015 Leighton A47J 37/0704
126/25 R

(Continued)

(22) Filed: **Dec. 4, 2019**
(51) **LOC (13) Cl.** **23-03**
(52) **U.S. Cl.**
USPC **D23/348**
(58) **Field of Classification Search**
USPC D23/332, 314, 343, 348, 350, 346, 336,
D23/341, 342, 345, 403, 344, 347;
D7/332-337, 402-405, 352
CPC F24C 1/16; F24C 5/00; F24C 3/14; A47J
33/00; A47J 37/0763; A47J 37/07; F24B
1/18; F24B 1/182; F24B 1/1808; F24B
1/181; F24B 1/195; F24B 1/191
See application file for complete search history.

OTHER PUBLICATIONS

Bing search for applicants name ande fire pit <https://www.bing.com/shop?q=%22Kenneth+david+cline%22fire+pit+ring&FORM=SHOPPA&originGUID=6D172C2668CE41409A9E3A8D4721B3DD> (Year: 2020).*

(Continued)

Primary Examiner — Ania Aman

(57) **CLAIM**

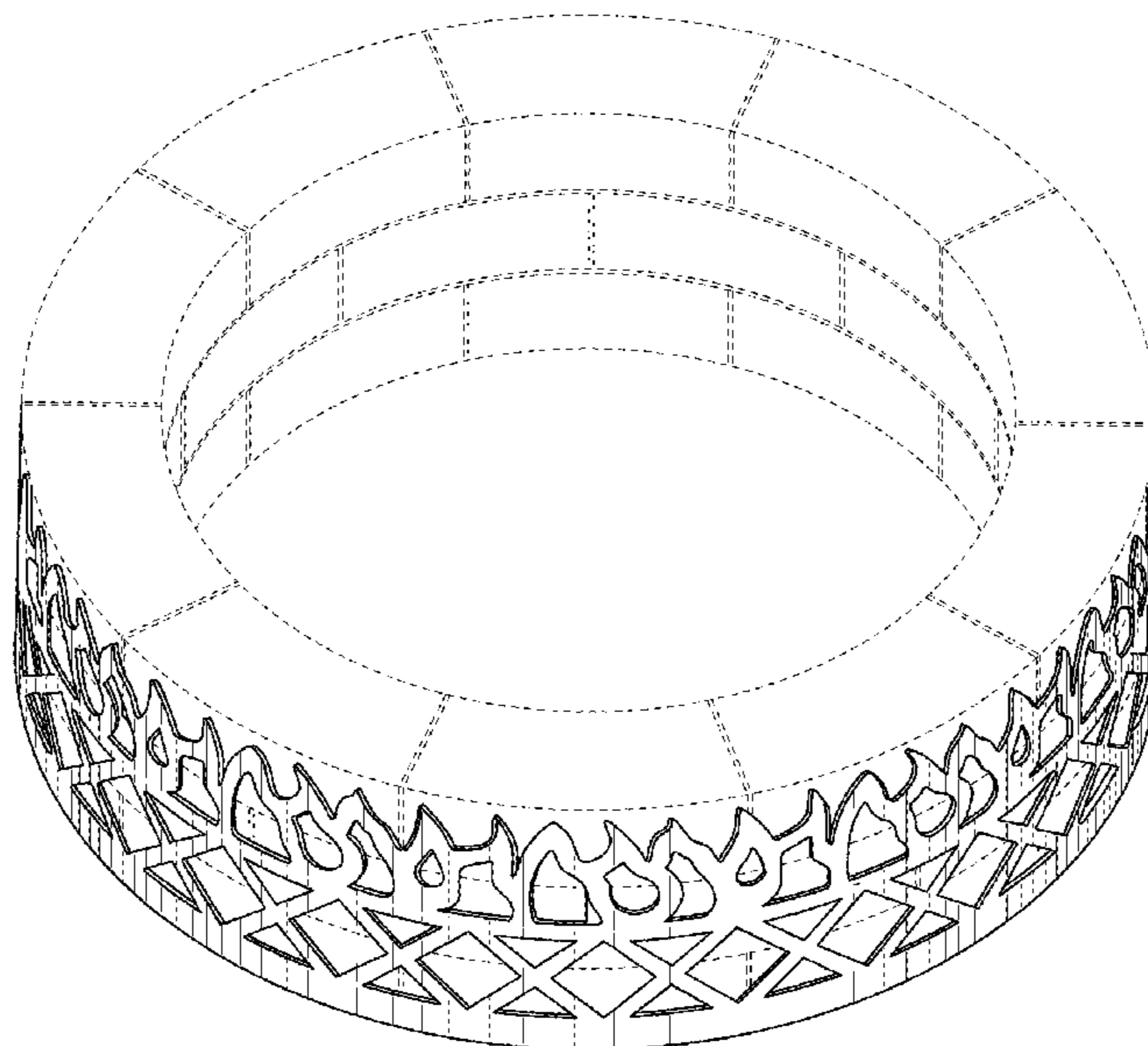
The ornamental design for a fire pit, as shown and described.

DESCRIPTION

FIG. 1 is a top perspective view of a fire pit showing my new design;
FIG. 2 is a bottom perspective view thereof;
FIG. 3 is a front elevational view thereof;
FIG. 4 is a rear elevational view thereof;
FIG. 5 is a left elevational view thereof;
FIG. 6 is a right elevational view thereof;
FIG. 7 is a top plan view thereof; and,
FIG. 8 is a bottom plan view thereof.
In the drawings, the broken lines depict environmental subject matter only and form no part of the claimed design.

(56) **References Cited**
U.S. PATENT DOCUMENTS
6,314,955 B1* 11/2001 Boetcker A47J 36/2477
126/25 R
6,354,288 B1* 3/2002 McDonald F24C 1/16
126/500
6,532,950 B2* 3/2003 Meurer F24C 1/16
126/29
9,980,608 B2* 5/2018 Leighton A47J 37/0704
D822,431 S * 7/2018 Ma D7/402
D822,433 S * 7/2018 Ma D7/402
10,036,553 B2* 7/2018 Kramer F24B 1/195
D866,737 S * 11/2019 Lyons, Jr. D23/332
2003/0034023 A1* 2/2003 Meurer F24C 1/16
126/29

1 Claim, 8 Drawing Sheets



(56)

References Cited

U.S. PATENT DOCUMENTS

2018/0372324 A1* 12/2018 Gamble A45F 4/00

OTHER PUBLICATIONS

Outdoor Fire Pit Steel Rings image search <https://www.bing.com/images/search?q=Outdoor+Fire+Pit+Steel+Rings&form=RESTAB&first=1&tsc=ImageBasicHover> (Year: 2020).*

* cited by examiner

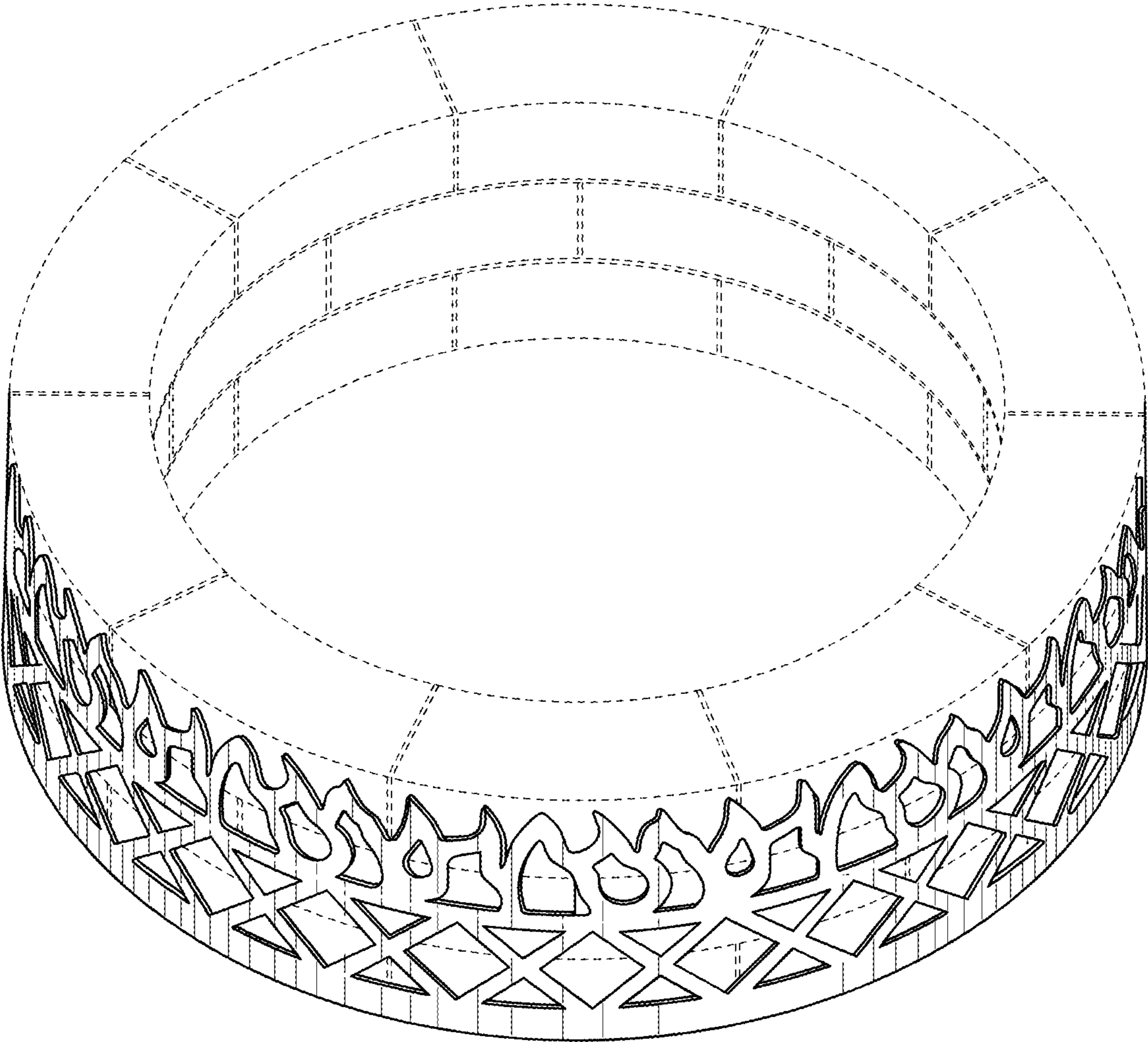


FIG. 1

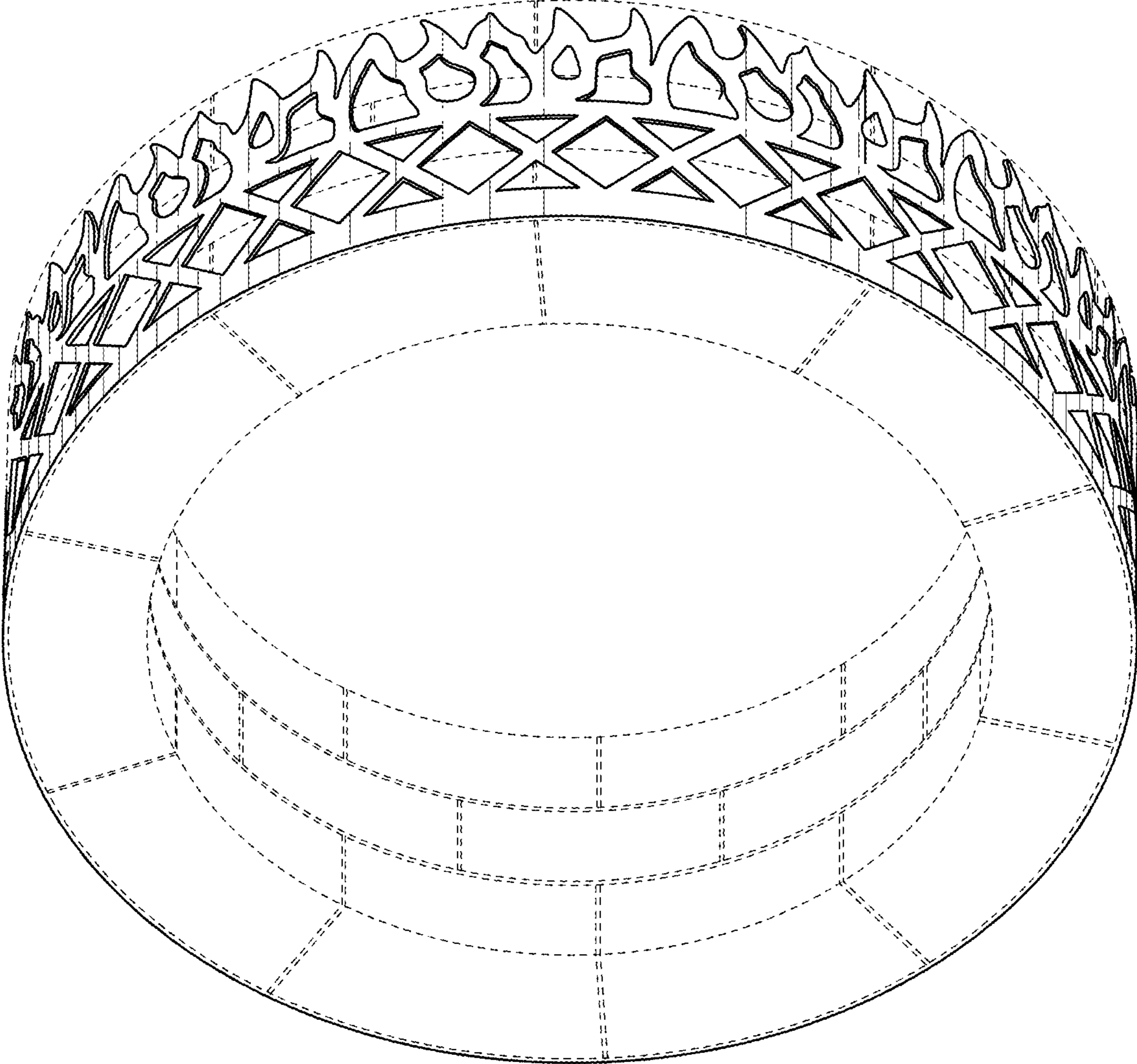


FIG. 2

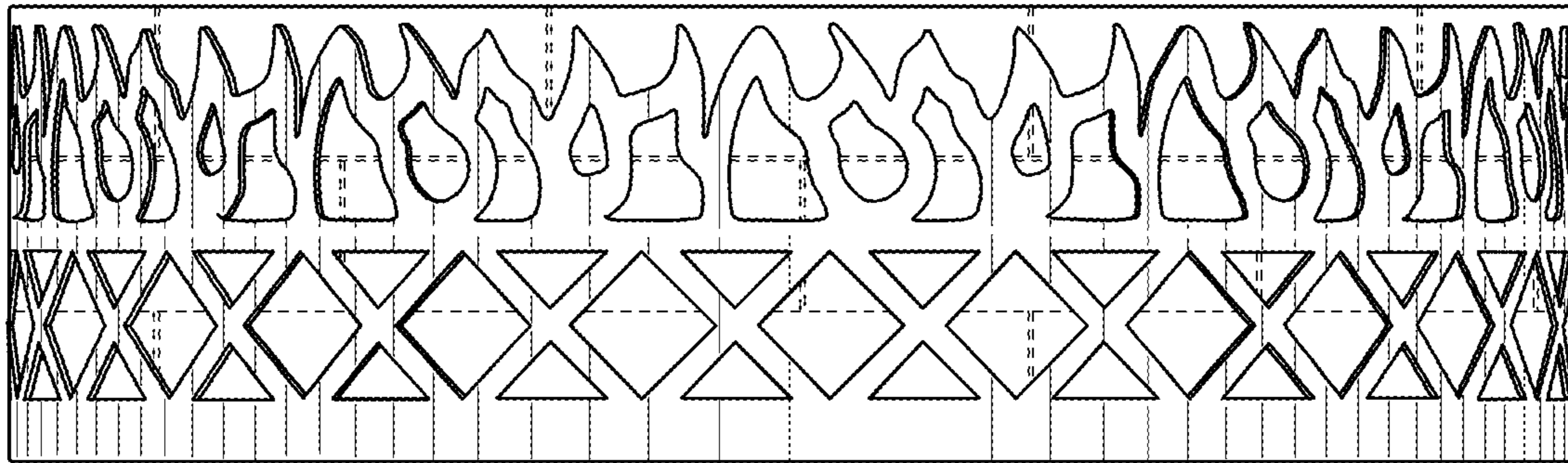


FIG. 3

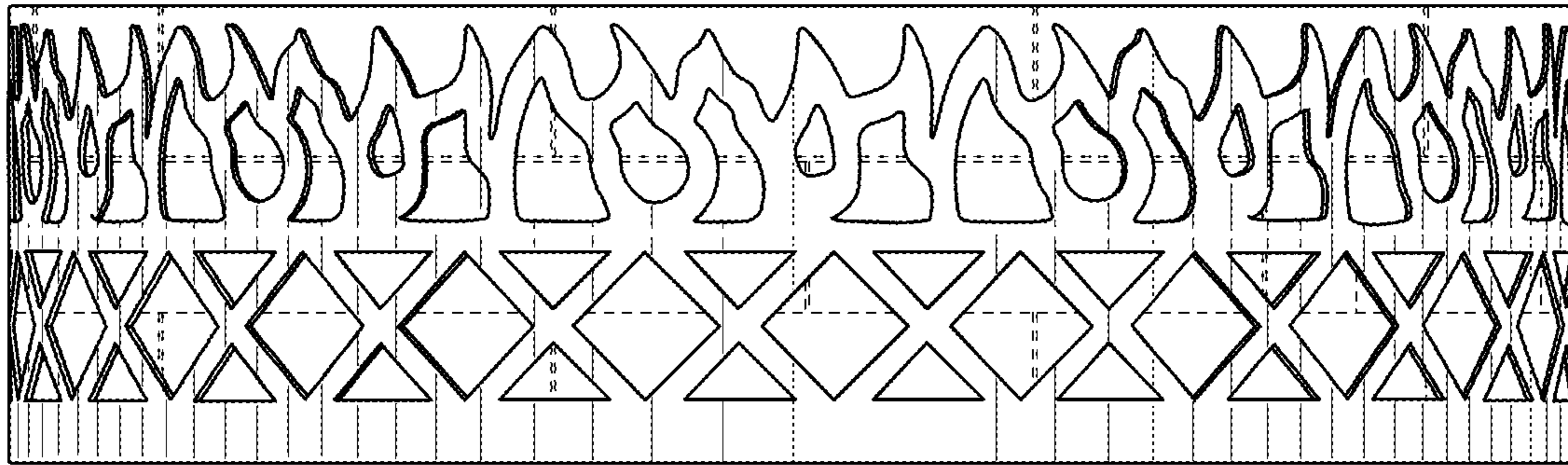


FIG. 4

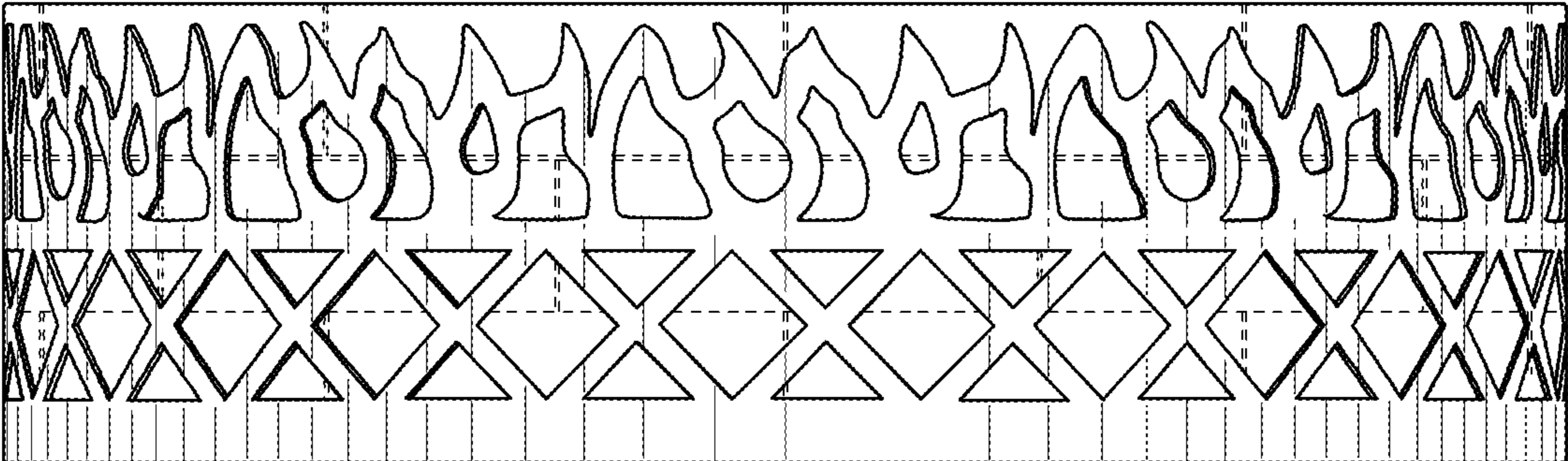


FIG. 5

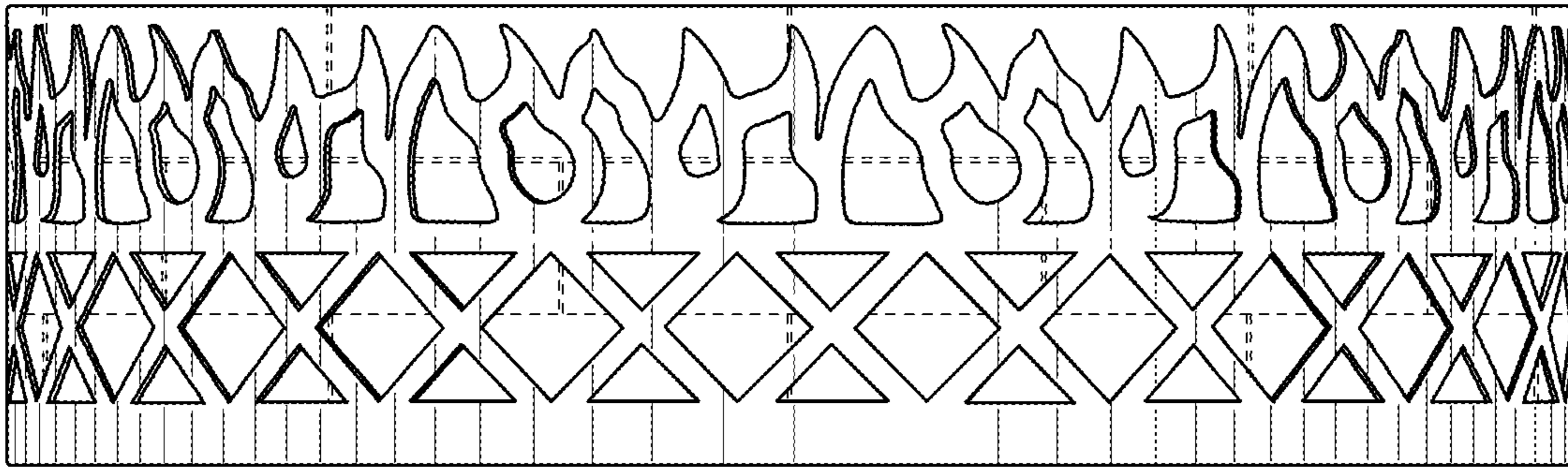


FIG. 6

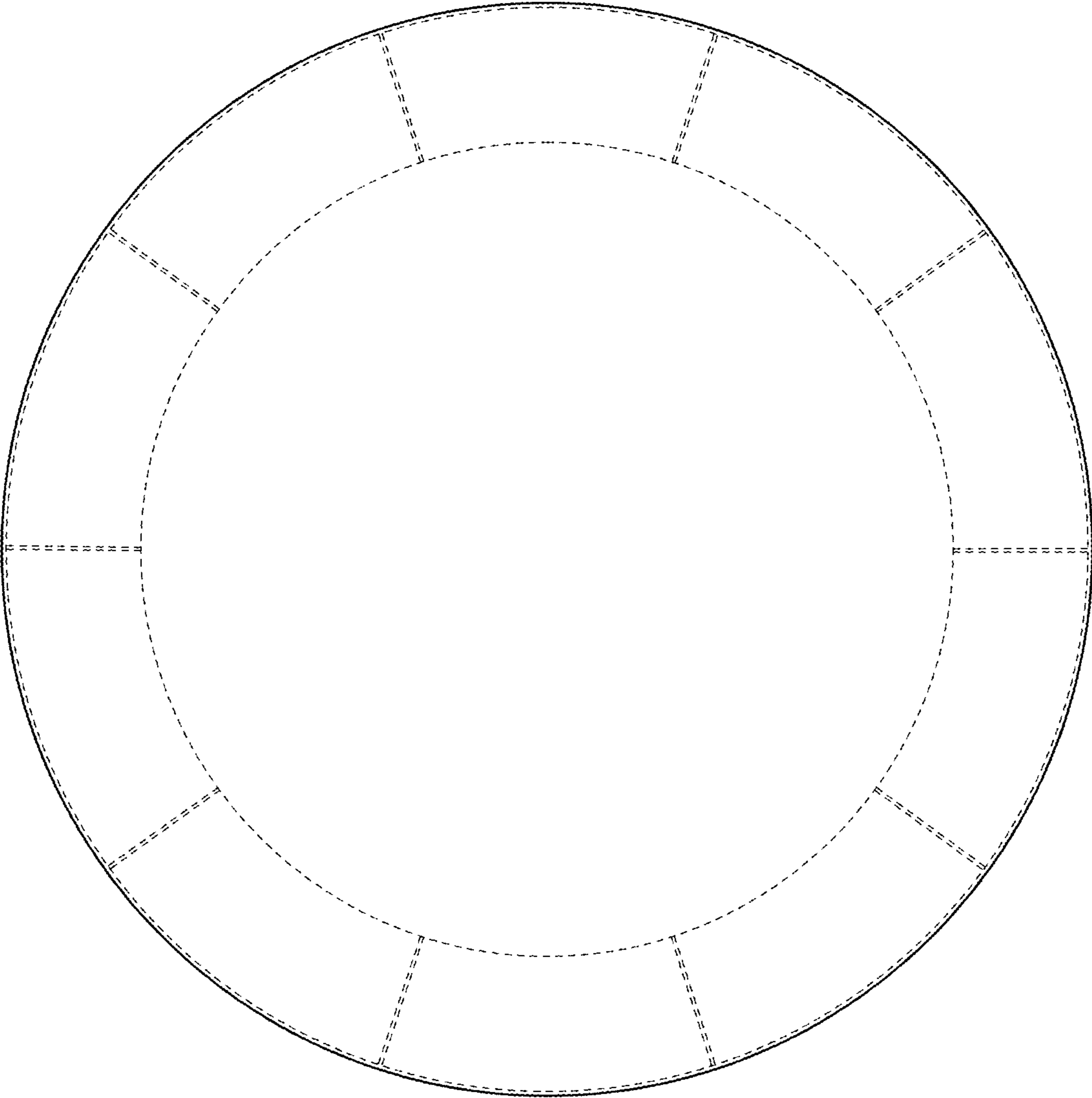


FIG. 7

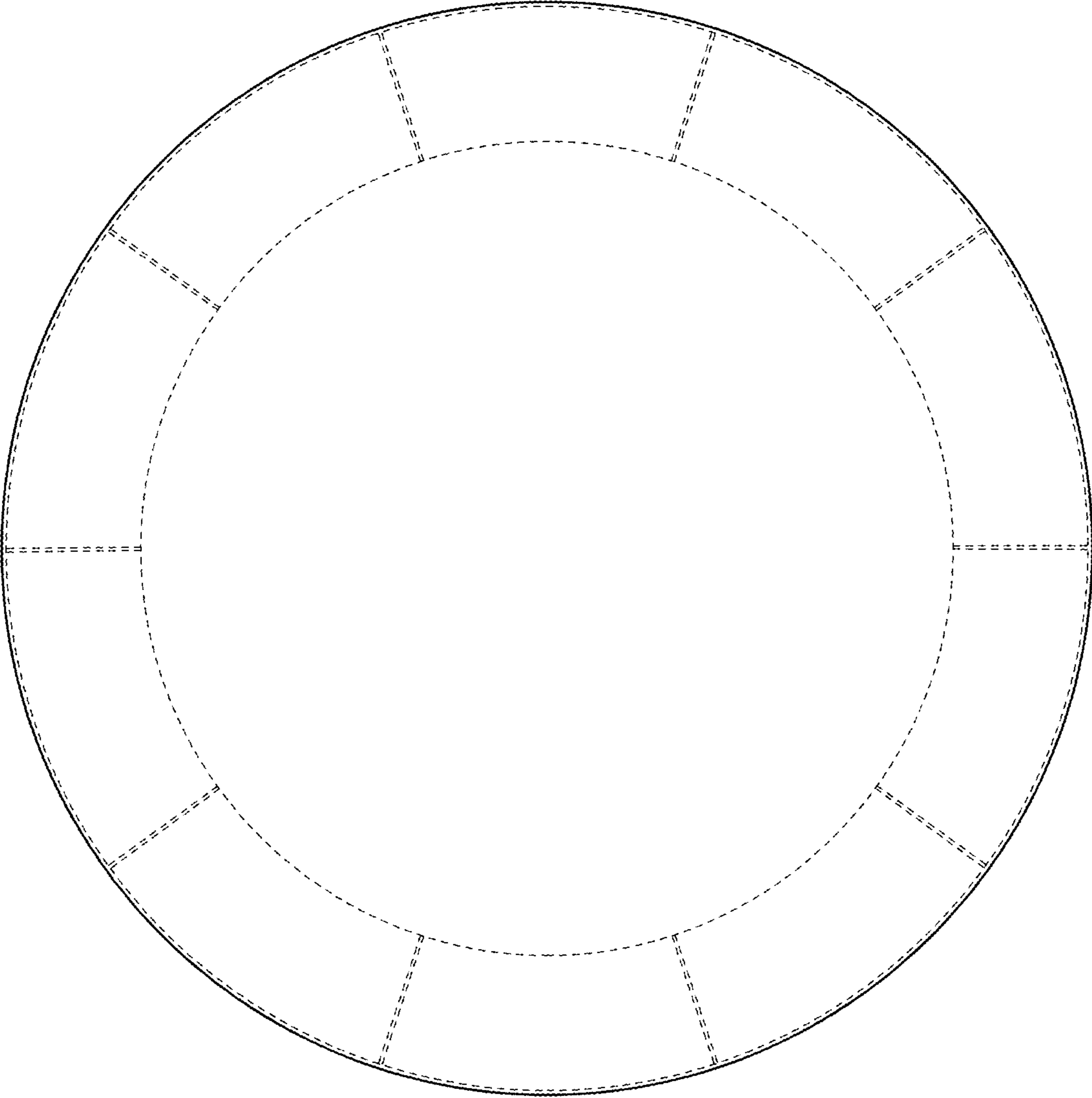


FIG. 8