



US00D918360S

(12) **United States Design Patent**
Francis

(10) **Patent No.:** **US D918,360 S**

(45) **Date of Patent:** **** May 4, 2021**

- (54) **HEATER**
- (71) Applicant: **BLACK & DECKER INC.**, New Britain, CT (US)
- (72) Inventor: **Matthew C. Francis**, Baltimore, MD (US)
- (73) Assignee: **BLACK & DECKER INC.**, New Britain, CT (US)
- (**) Term: **15 Years**
- (21) Appl. No.: **29/652,106**
- (22) Filed: **May 12, 2020**
- (51) **LOC (13) Cl.** **23-03**
- (52) **U.S. Cl.**
USPC **D23/335**
- (58) **Field of Classification Search**
USPC D23/314, 317, 329, 332, 333, 334, 335,
D23/336, 337, 338, 339, 340, 341, 342
CPC F24H 3/0488; F24H 3/0417; F24H 9/0073;
F24H 9/1881; F23D 14/36
See application file for complete search history.

- 4,443,187 A * 4/1984 Shaftner F24H 3/0488
432/222
- D330,756 S * 11/1992 Davies, III D23/338
- D598,526 S * 8/2009 Pitchford D23/317
- D663,812 S * 7/2012 Cassell D23/317
- D663,813 S * 7/2012 Cassell D23/317
- D670,369 S * 11/2012 Cassell D23/328
- D670,798 S * 11/2012 Cassell D23/317
- D672,445 S * 12/2012 Smith D23/317
- 9,267,704 B1 * 2/2016 Lee, Jr. F24H 3/025
- 9,273,872 B1 * 3/2016 Lee, Jr. F24H 3/0488
- 2015/0377511 A1 * 12/2015 Lee F24H 9/1881
432/92
- 2016/0146503 A1 * 5/2016 Kang F24H 9/02
126/114

* cited by examiner

Primary Examiner — Ania Aman

(74) *Attorney, Agent, or Firm* — Adan Ayala

(57) **CLAIM**

The ornamental design for a heater, as shown and described.

DESCRIPTION

FIG. 1 is a front perspective view of a heater according to the invention.

FIG. 2 is a front view of the heater of FIG. 1.

FIG. 3 is a rear view of the heater of FIG. 1.

FIG. 4 is a right side view of the heater of FIG. 1.

FIG. 5 is a left side view of the heater of FIG. 1.

FIG. 6 is a top plan view of the heater of FIG. 1; and,

FIG. 7 is a bottom plan view of the heater of FIG. 1.

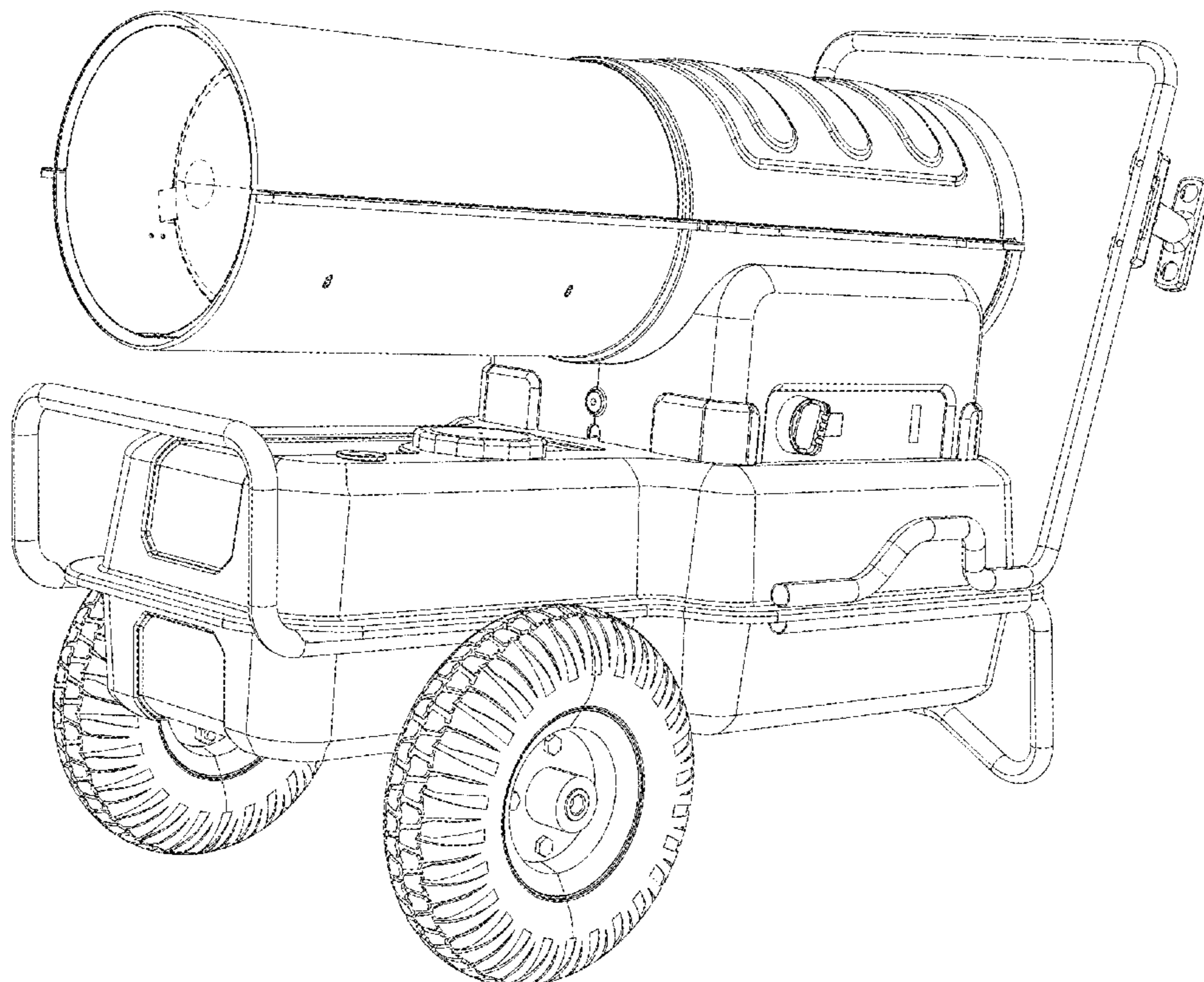
The broken lines illustrate portions of the heater and form no part of the claimed design.

(56) **References Cited**

U.S. PATENT DOCUMENTS

- D180,961 S * 9/1957 Sherman D23/317
- D202,010 S * 8/1965 Schofield et al. D23/317
- D247,045 S * 1/1978 Briggs D23/317
- 4,081,238 A * 3/1978 Briggs F24C 5/20
137/544
- D264,374 S * 5/1982 Briggs D23/338

1 Claim, 7 Drawing Sheets



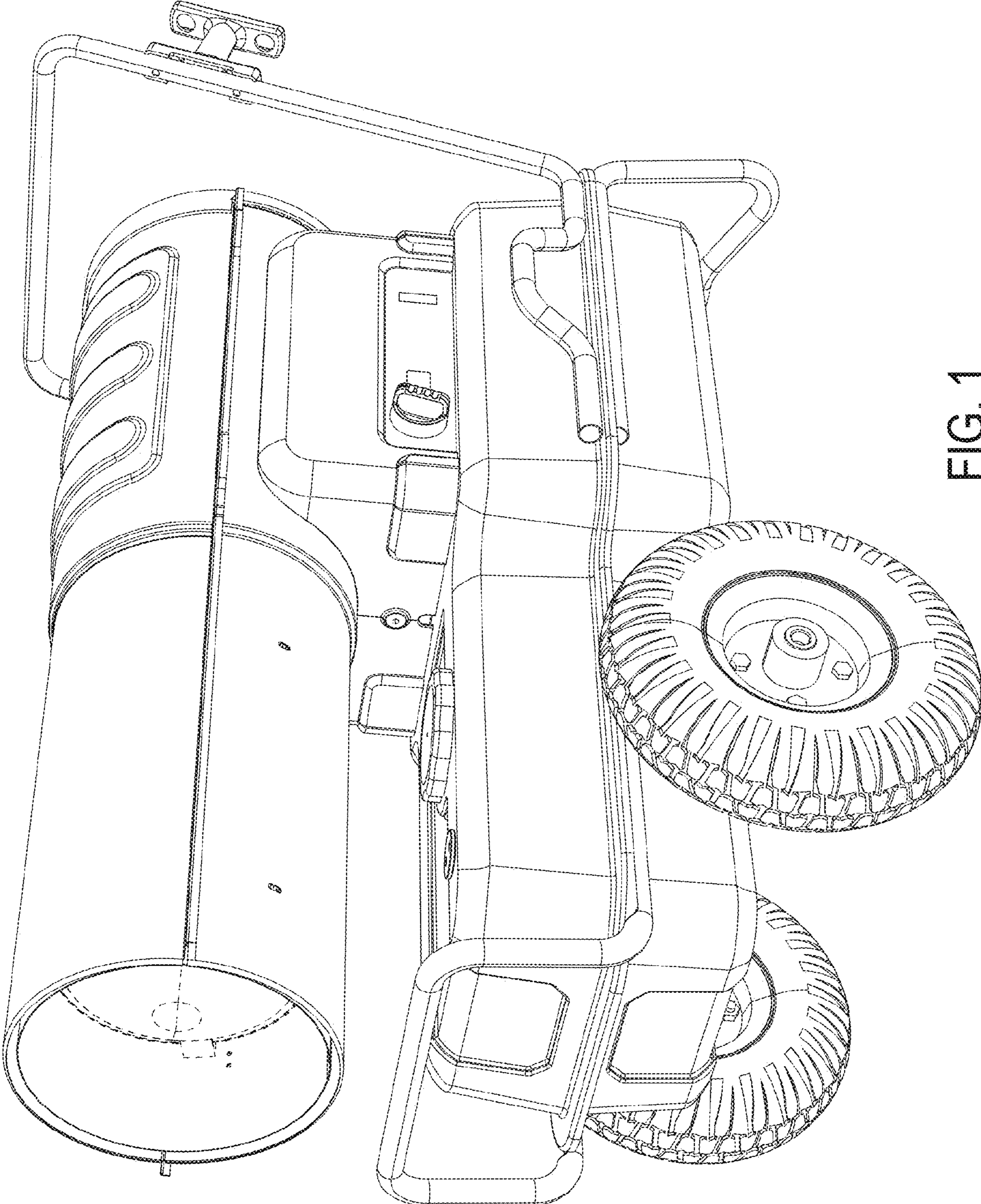


FIG. 1

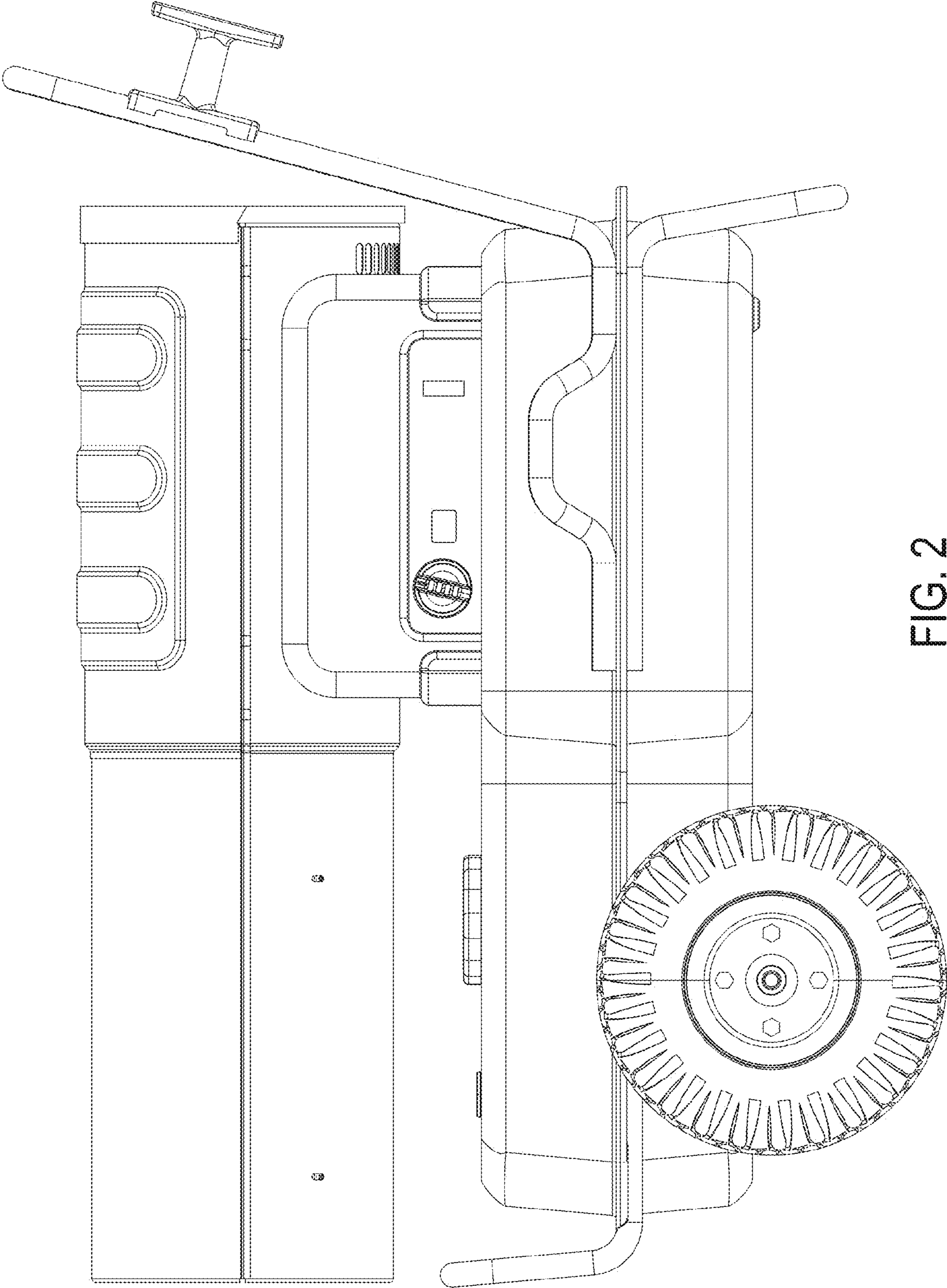


FIG. 2

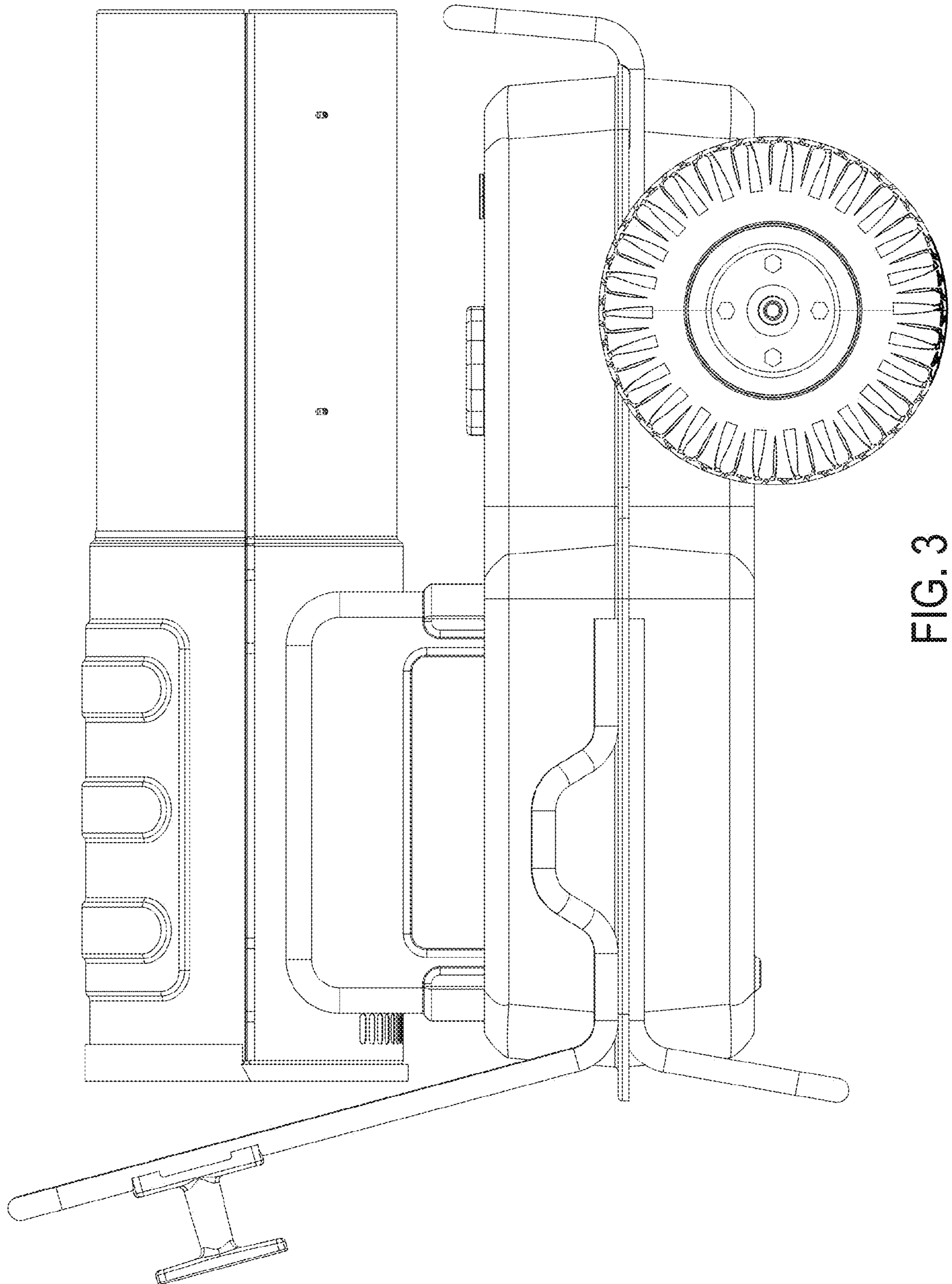


FIG. 3

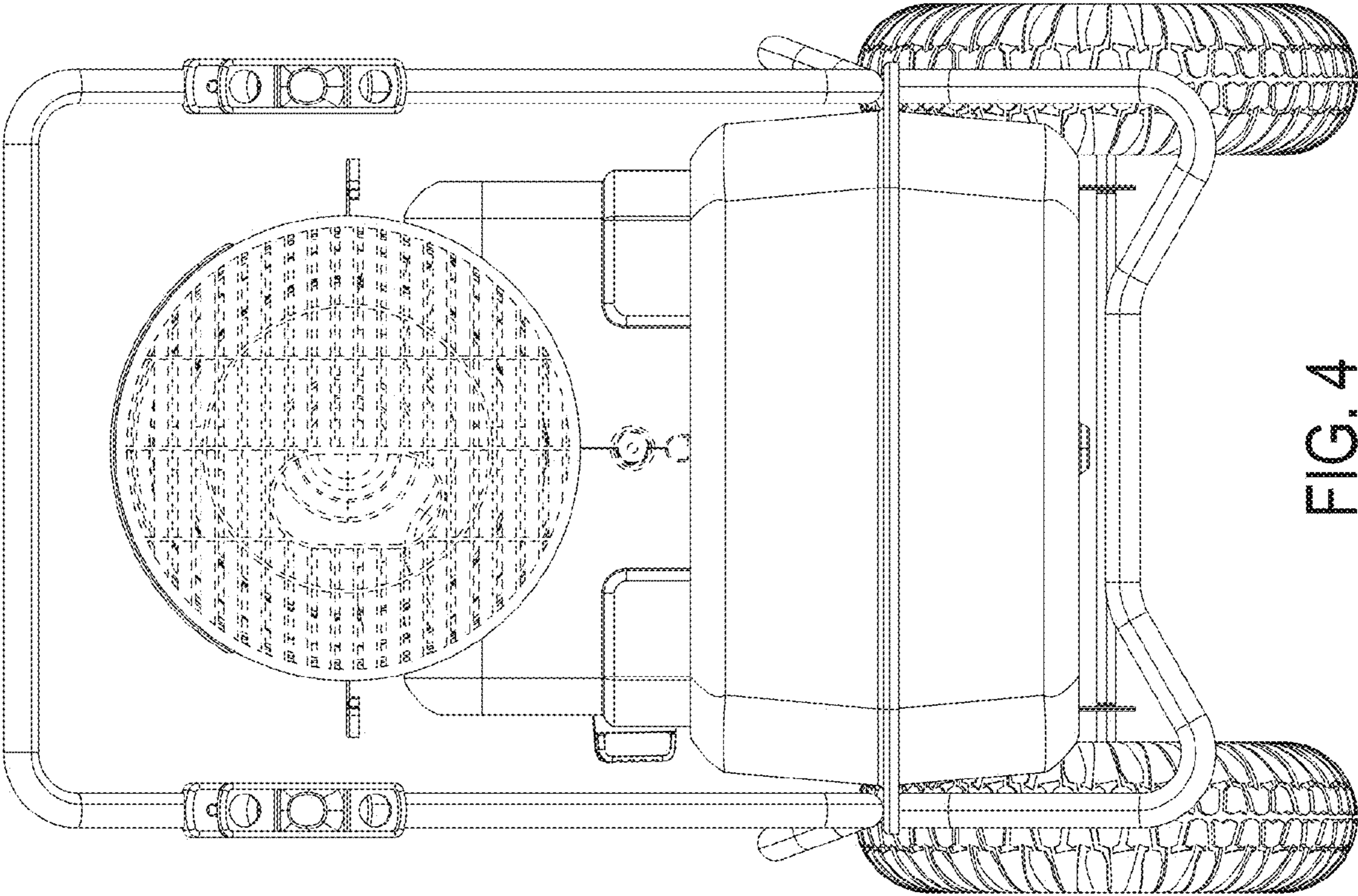


FIG. 4

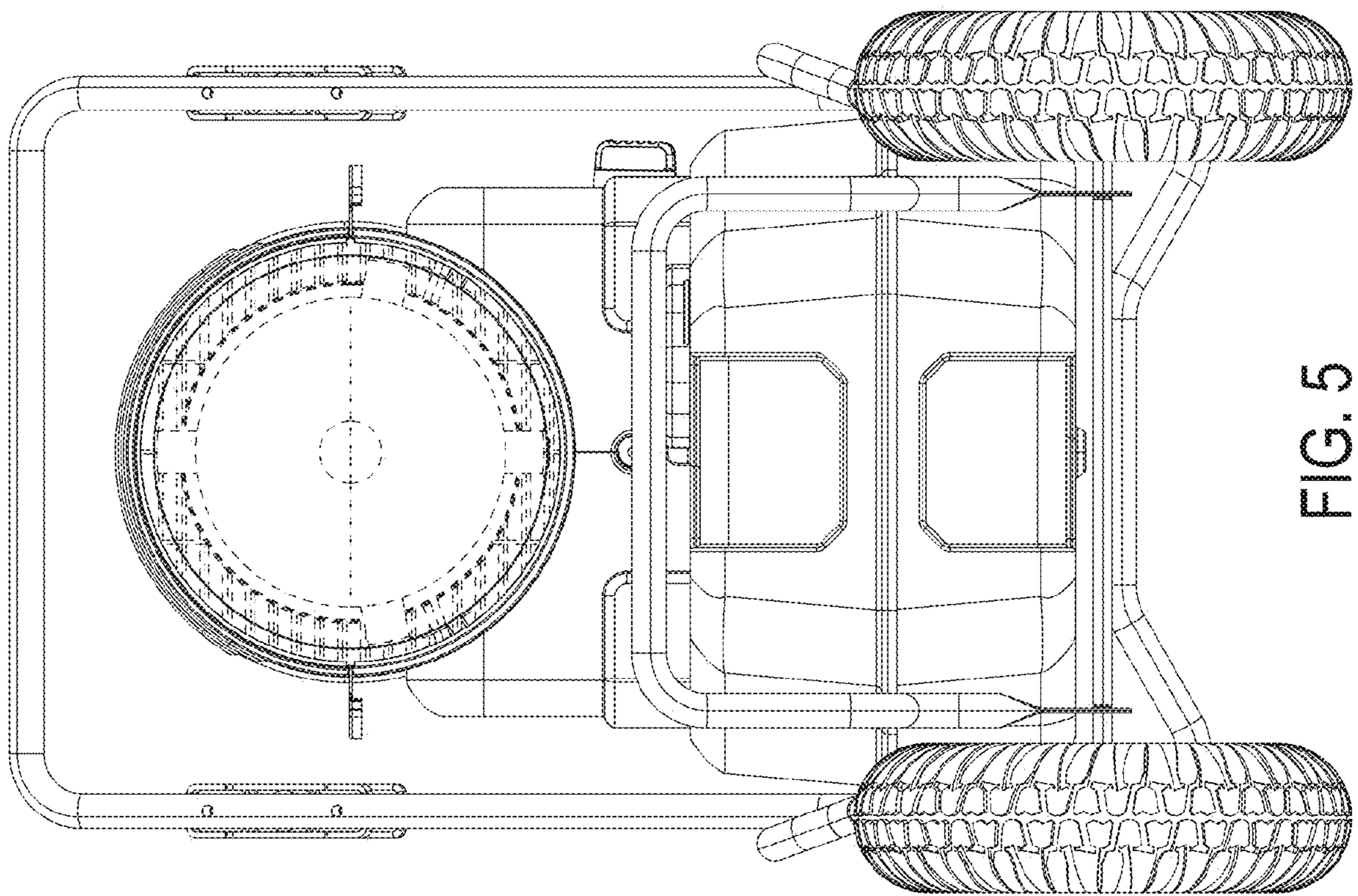


FIG. 5

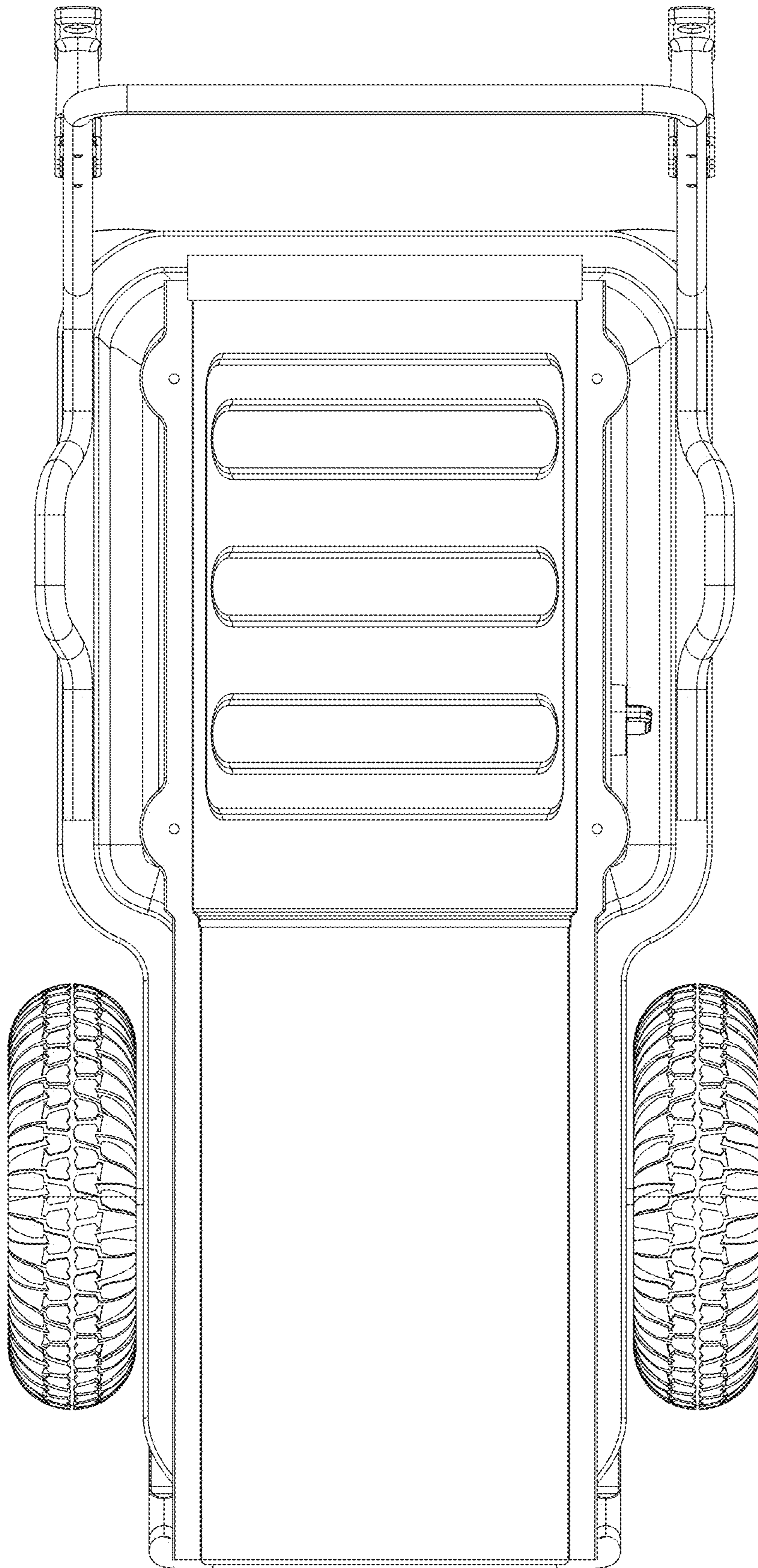


FIG. 6

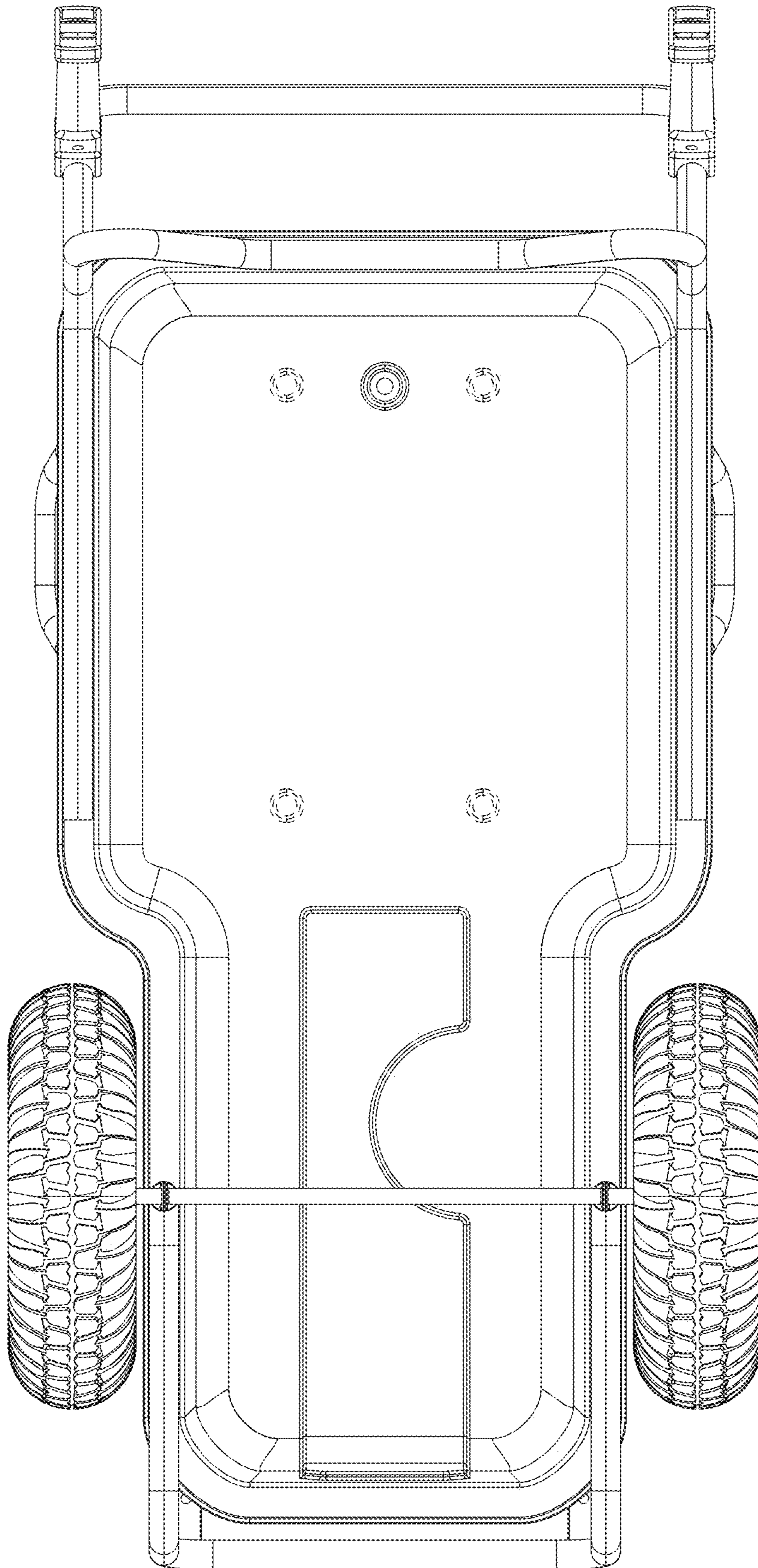


FIG. 7