



US00D918359S

(12) **United States Design Patent**
Francis

(10) **Patent No.:** **US D918,359 S**

(45) **Date of Patent:** **** May 4, 2021**

- (54) **HEATER**
- (71) Applicant: **BLACK & DECKER INC.**, New Britain, CT (US)
- (72) Inventor: **Matthew C. Francis**, Baltimore, MD (US)
- (73) Assignee: **BLACK & DECKER INC.**, New Britain, CT (US)

4,443,187 A *	4/1984	Shaftner	F24H 3/0488
				432/222
D330,756 S *	11/1992	Davies, III	D23/338
D598,526 S *	8/2009	Pitchford	D23/317
D663,812 S *	7/2012	Cassell	D23/317
D663,813 S *	7/2012	Cassell	D23/317
D670,369 S *	11/2012	Cassell	D23/328
D670,798 S *	11/2012	Cassell	D23/317
D672,445 S *	12/2012	Smith	D23/317
9,267,704 B1 *	2/2016	Lee, Jr.	F24H 3/025
9,273,872 B1 *	3/2016	Lee, Jr.	F24H 3/0488
2015/0377511 A1 *	12/2015	Lee	F24H 9/1881
				432/92
2016/0146503 A1 *	5/2016	Kang	F24H 9/02
				126/114

(**) Term: **15 Years**

(21) Appl. No.: **29/652,105**

(22) Filed: **May 12, 2020**

(51) **LOC (13) Cl.** **23-03**

(52) **U.S. Cl.**
USPC **D23/335**

(58) **Field of Classification Search**
USPC D23/314, 317, 329, 332, 333, 334, 335,
D23/336, 337, 338, 339, 340, 341, 342
CPC F24H 3/0488; F24H 3/0417; F24H 9/0073;
F24H 9/1881; F23D 14/36
See application file for complete search history.

(56) **References Cited**

U.S. PATENT DOCUMENTS

D180,961 S *	9/1957	Sherman	D23/317
D202,010 S *	8/1965	Schofield et al.	D23/317
D247,045 S *	1/1978	Briggs	D23/317
4,081,238 A *	3/1978	Briggs	F24C 5/20
				137/544
D264,374 S *	5/1982	Briggs	D23/338

* cited by examiner

Primary Examiner — Ania Aman

(74) *Attorney, Agent, or Firm* — Adan Ayala

(57) **CLAIM**

The ornamental design for a heater, as shown and described.

DESCRIPTION

FIG. 1 is a front perspective view of a heater according to the invention.

FIG. 2 is a front view of the heater of FIG. 1.

FIG. 3 is a rear view of the heater of FIG. 1.

FIG. 4 is a right side view of the heater of FIG. 1.

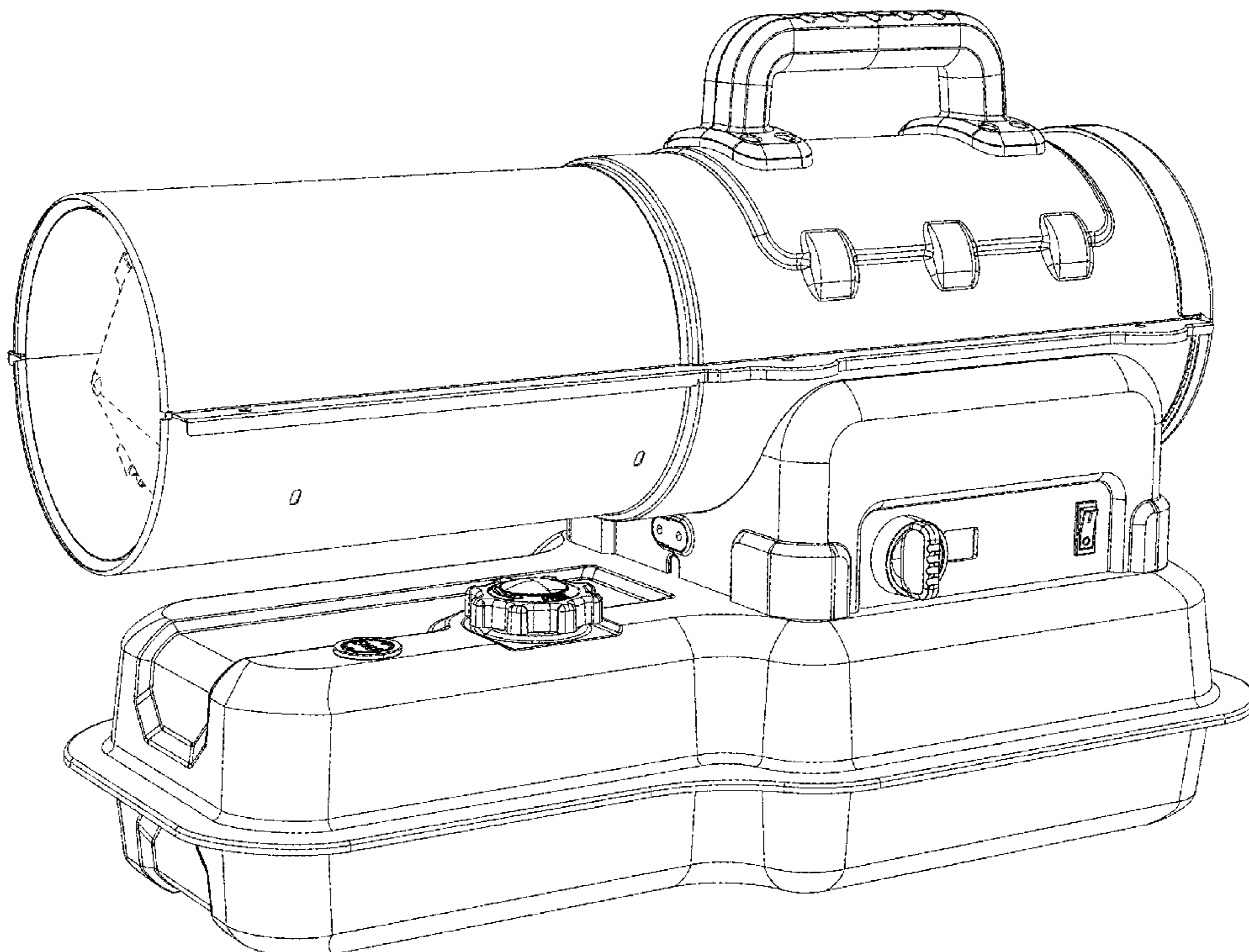
FIG. 5 is a left side view of the heater of FIG. 1.

FIG. 6 is a top plan view of the heater of FIG. 1; and,

FIG. 7 is a bottom plan view of the heater of FIG. 1.

The broken lines illustrate portions of the heater and form no part of the claimed design.

1 Claim, 7 Drawing Sheets



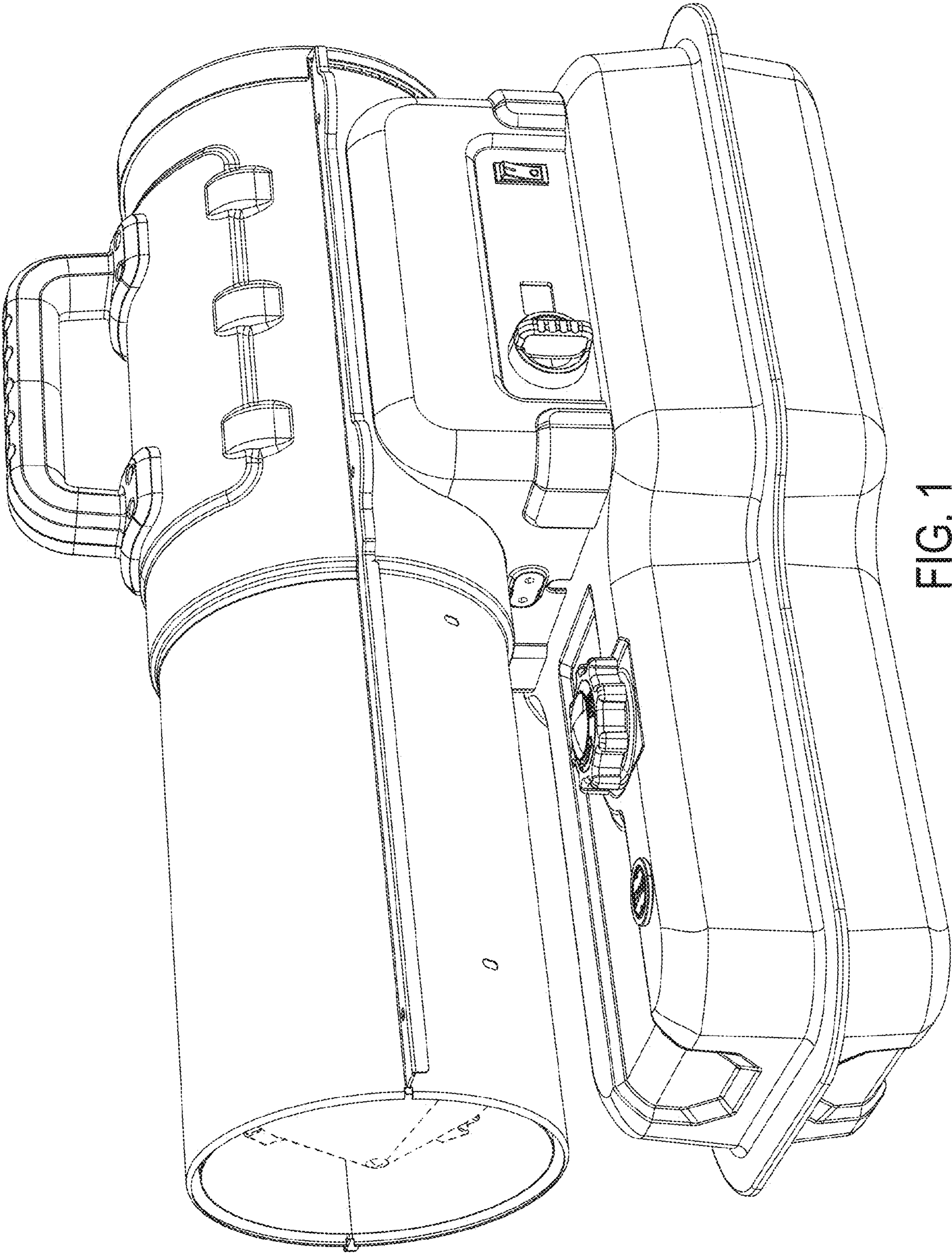


FIG. 1

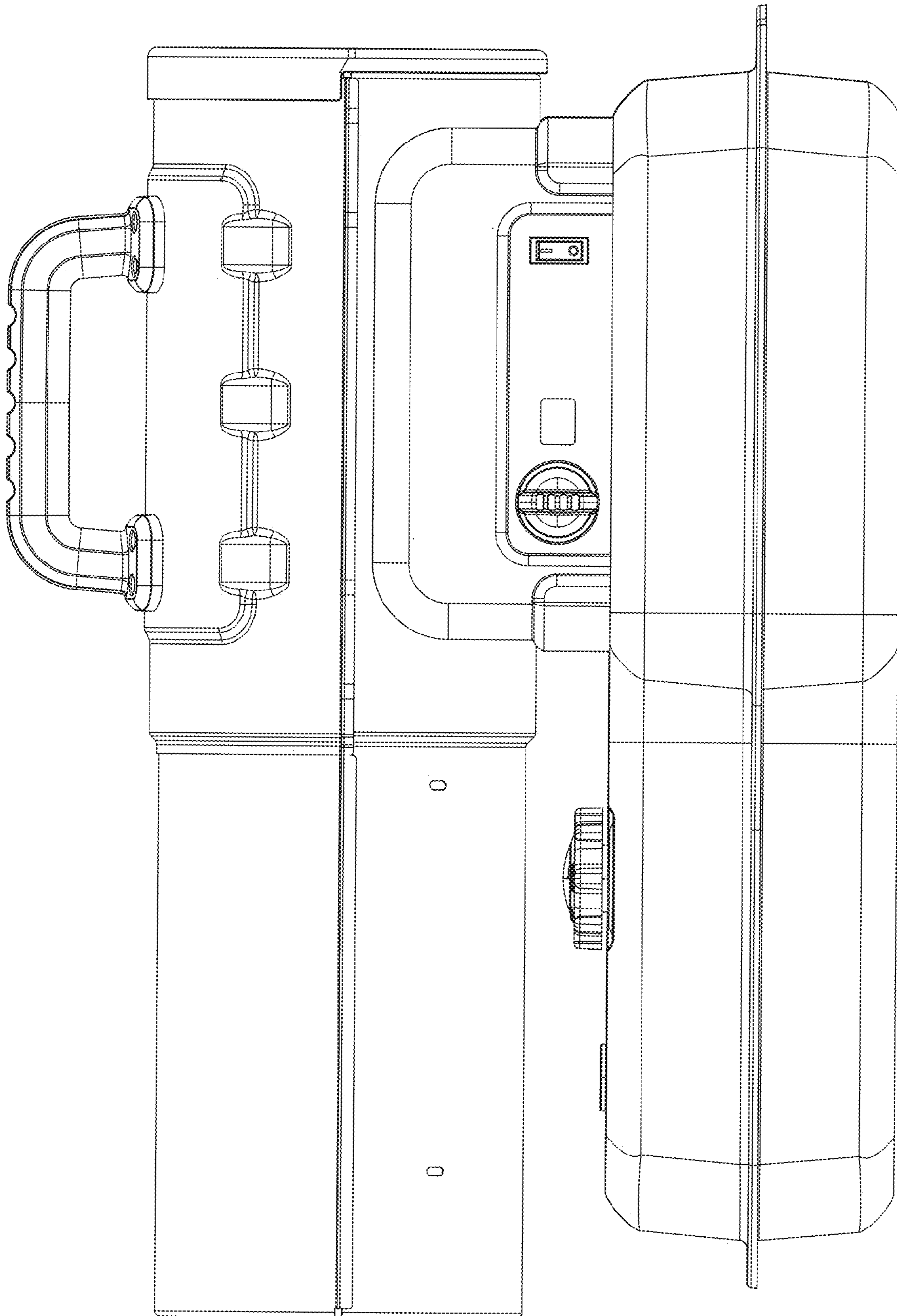


FIG. 2

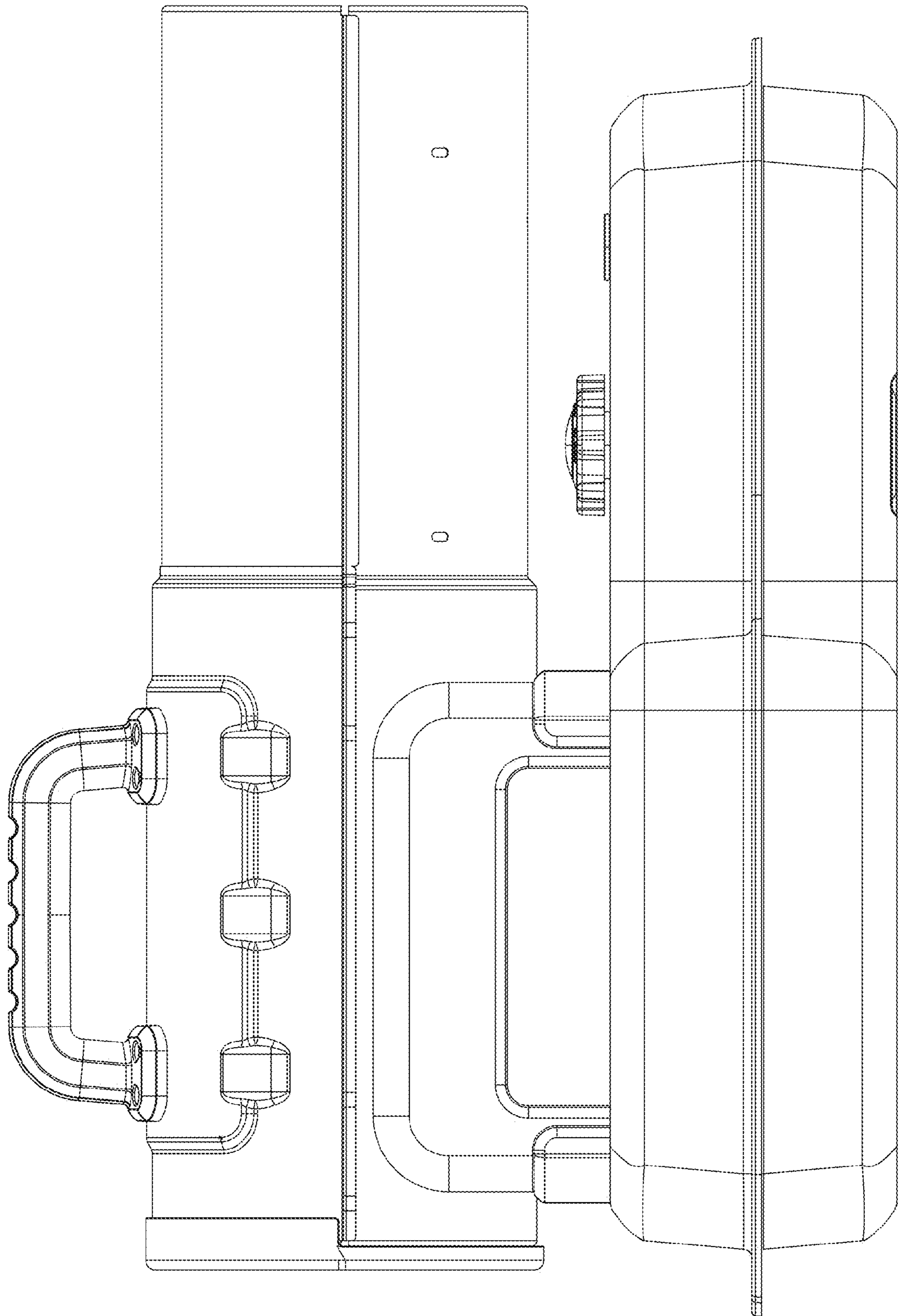


FIG. 3

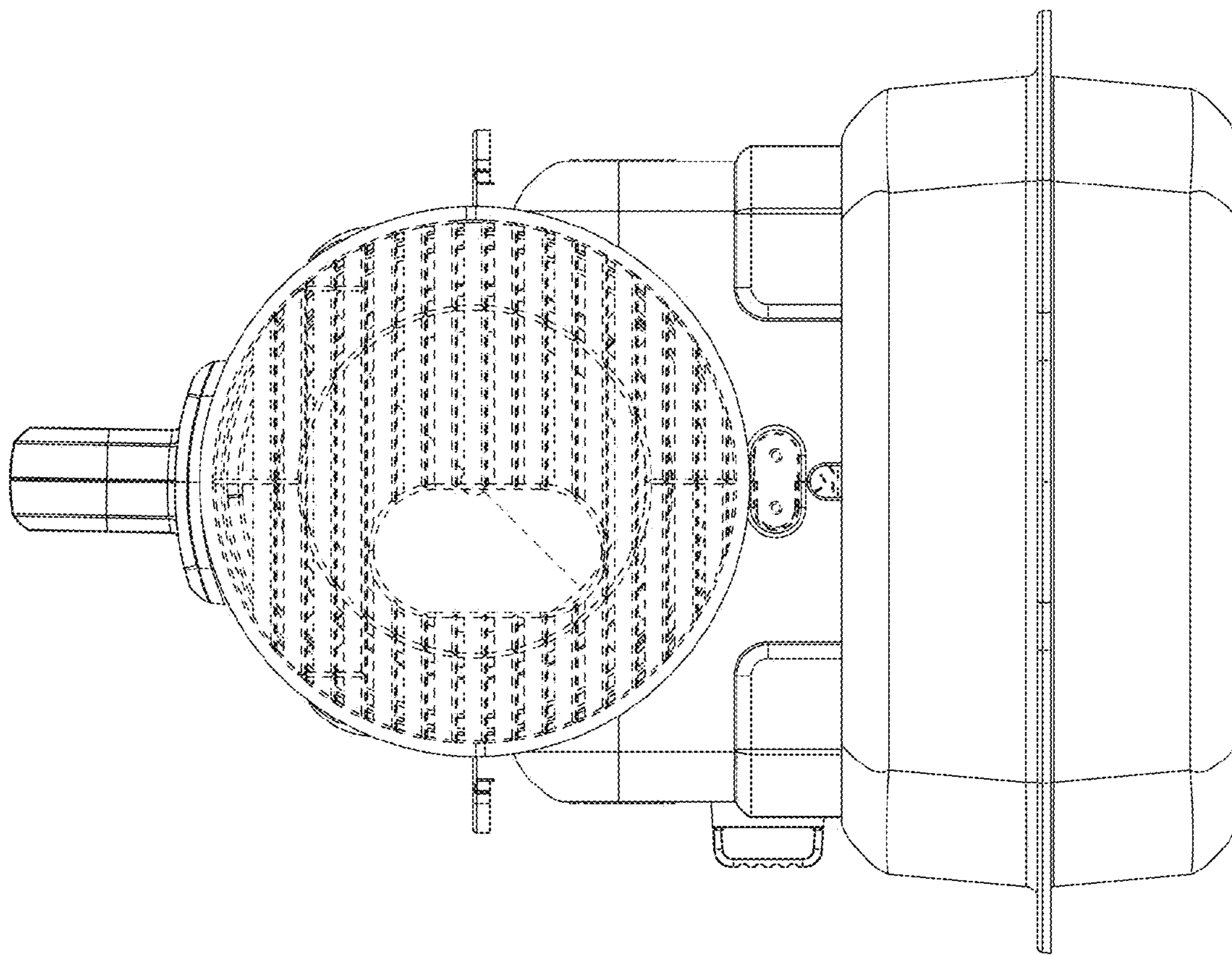


FIG. 4

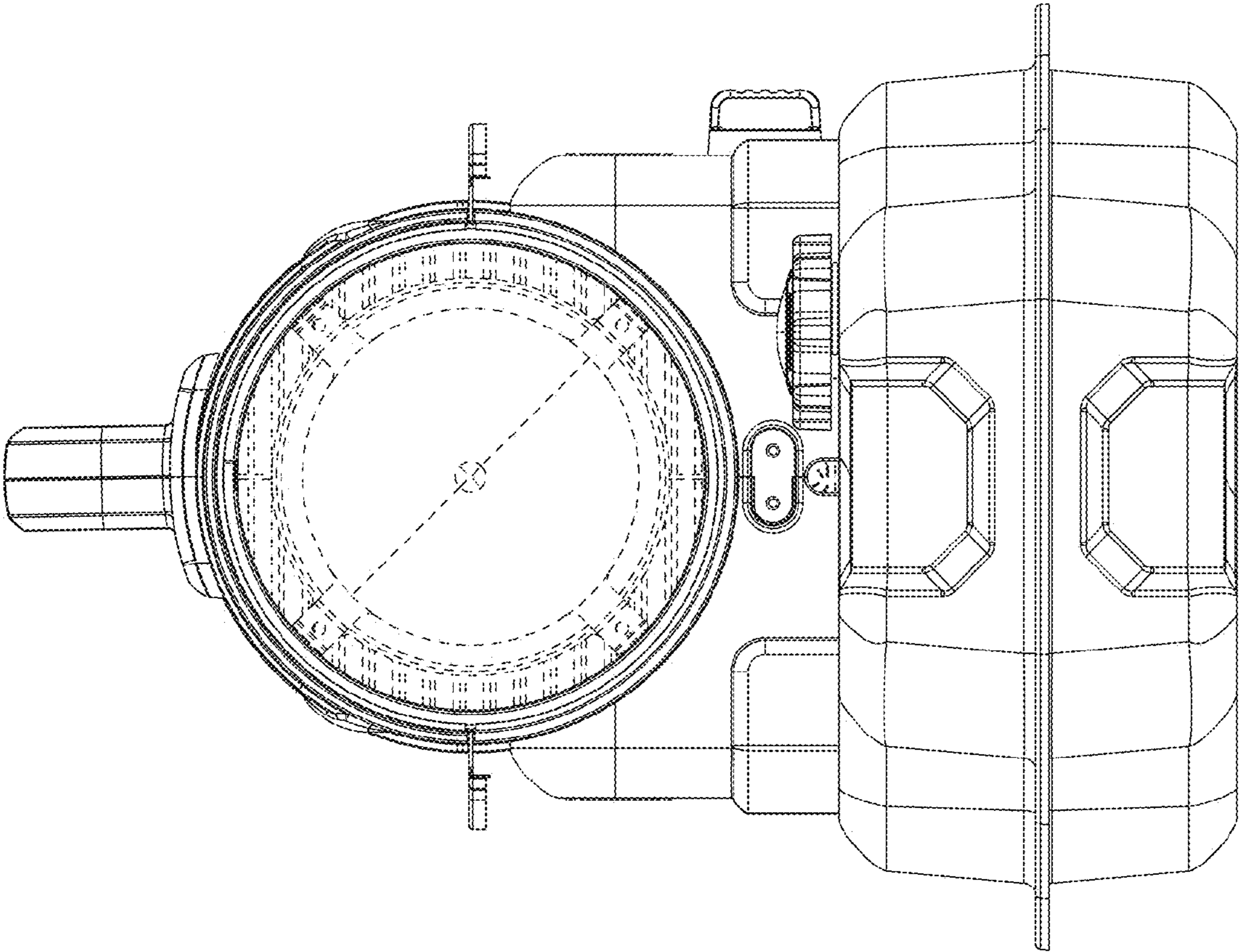


FIG. 5

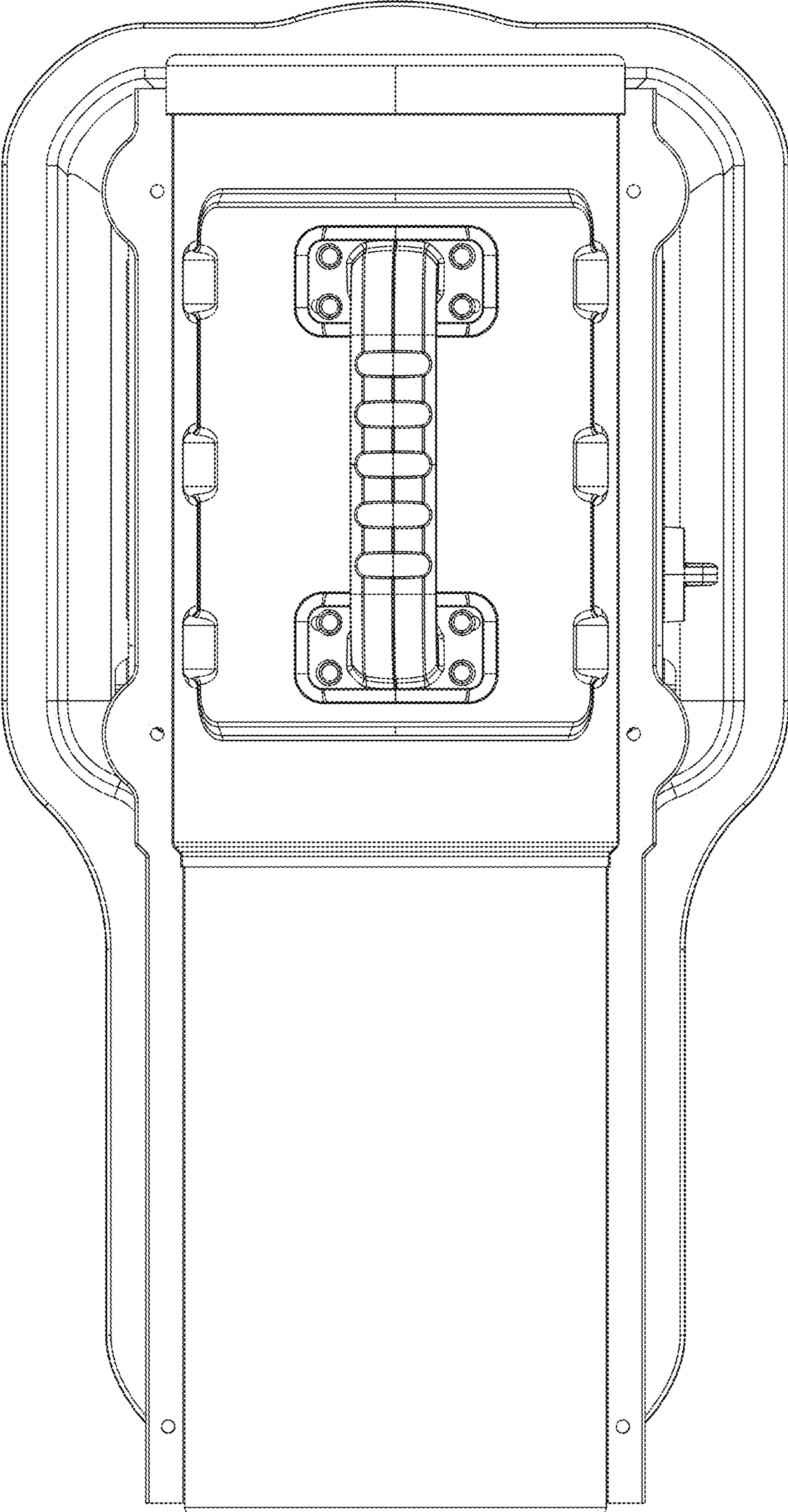


FIG. 6

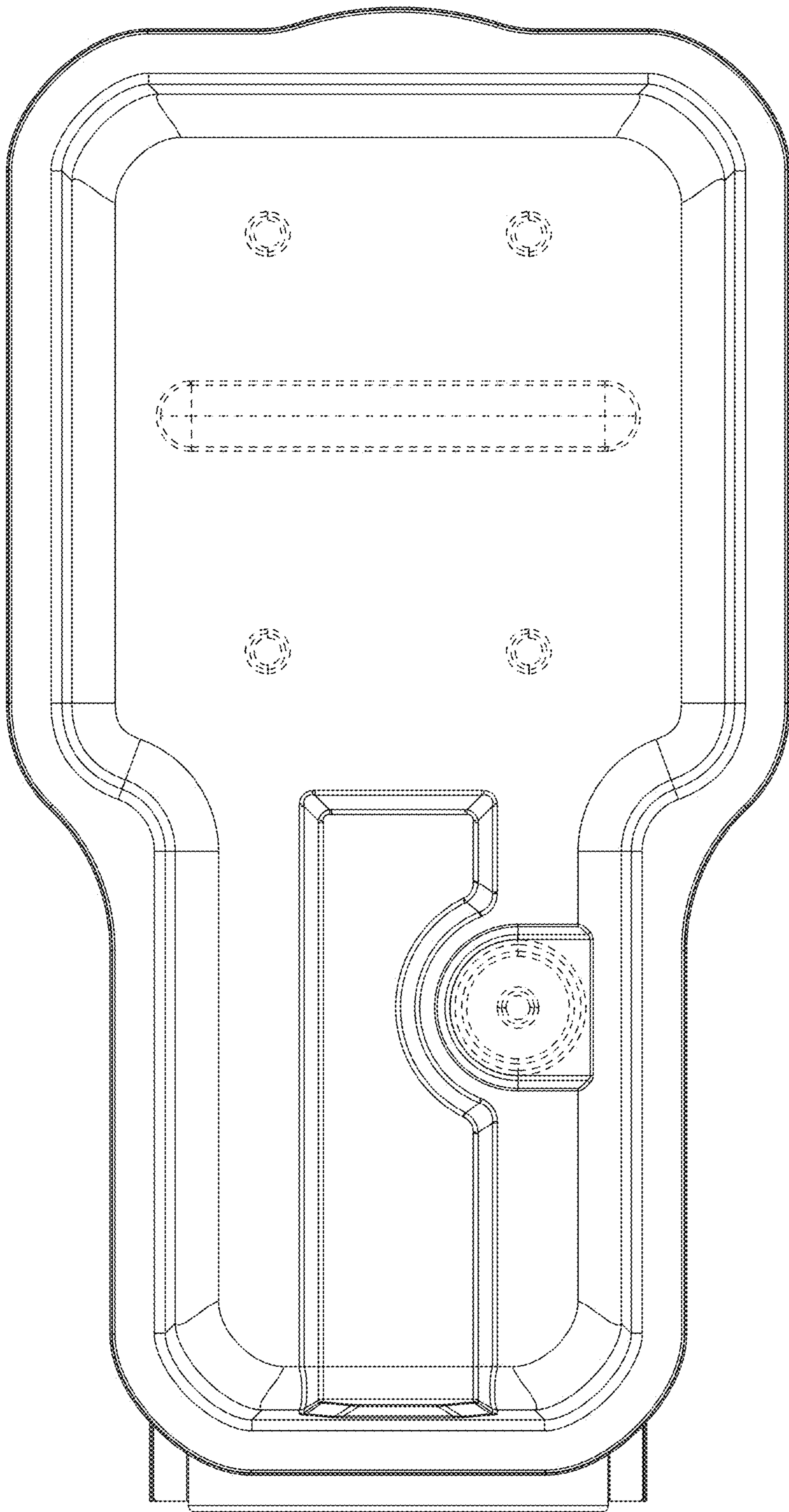


FIG. 7