



US00D918357S

(12) **United States Design Patent** (10) **Patent No.:** **US D918,357 S**
Stoltzfus (45) **Date of Patent:** **** May 4, 2021**

(54) **FIRE PIT**
(71) Applicant: **Breco, LLC**, Kinzers, PA (US)
(72) Inventor: **Amos A. Stoltzfus**, Gordonville, PA (US)
(73) Assignee: **Breco, LLC**, Kinzers, PA (US)
(**) Term: **15 Years**

D796,655 S * 9/2017 Horne, III D23/336
D801,495 S * 10/2017 Home, III D23/336
D845,455 S * 4/2019 Horsfield D23/332
2002/0040644 A1 * 4/2002 McLemore A47J 37/0786
99/482
2015/0075514 A1 * 3/2015 Kuenzinger A47J 37/0763
126/25 A
2015/0285507 A1 * 10/2015 Troyer, Jr. F24B 1/1902
126/30
2017/0303741 A1 * 10/2017 Horne, III A47J 37/0763
2021/0045578 A1 * 2/2021 Stoltzfus A47J 37/0704

* cited by examiner

(21) Appl. No.: **29/771,413**
(22) Filed: **Feb. 23, 2021**

Primary Examiner — Ania Aman

(74) Attorney, Agent, or Firm — Zollinger & Burleson, Ltd.

Related U.S. Application Data

(62) Division of application No. 29/702,198, filed on Aug. 16, 2019, now Pat. No. Des. 914,172.

(51) **LOC (13) Cl.** **23-03**

(52) **U.S. Cl.**
USPC **D23/332; D23/336; D23/343**

(58) **Field of Classification Search**
USPC D23/332, 314, 343, 348, 350, 346, 336;
D7/332-337, 402-405, 352; D11/152;
D6/692, 377, 692.3, 708.2
CPC F24C 1/16; F24C 5/00; F24C 3/14; F24C
15/08; A47J 33/00; A47J 37/0763; A47J
37/07; A47J 37/0704; F24B 1/18; F24B
1/182; F24B 1/1808; F24B 1/181; F24B
1/195; F24B 1/191

See application file for complete search history.

(56) **References Cited**

U.S. PATENT DOCUMENTS

D734,975 S * 7/2015 Troyer, Jr. D7/332
D780,897 S * 3/2017 Weng D23/332
D790,677 S * 6/2017 Horsfield D23/343

(57) **CLAIM**

The ornamental design for a fire pit, as shown and described.

DESCRIPTION

FIG. 1 is an upper perspective view of a fire pit showing my new design.

FIG. 2 is another upper perspective of the fire pit taken along line 2-2 of FIG. 4.

FIG. 3 is a lower perspective view thereof.

FIG. 4 is a front elevation view thereof.

FIG. 5 is a left side elevation view thereof.

FIG. 6 is a right side elevation view thereof.

FIG. 7 is a rear elevation view thereof.

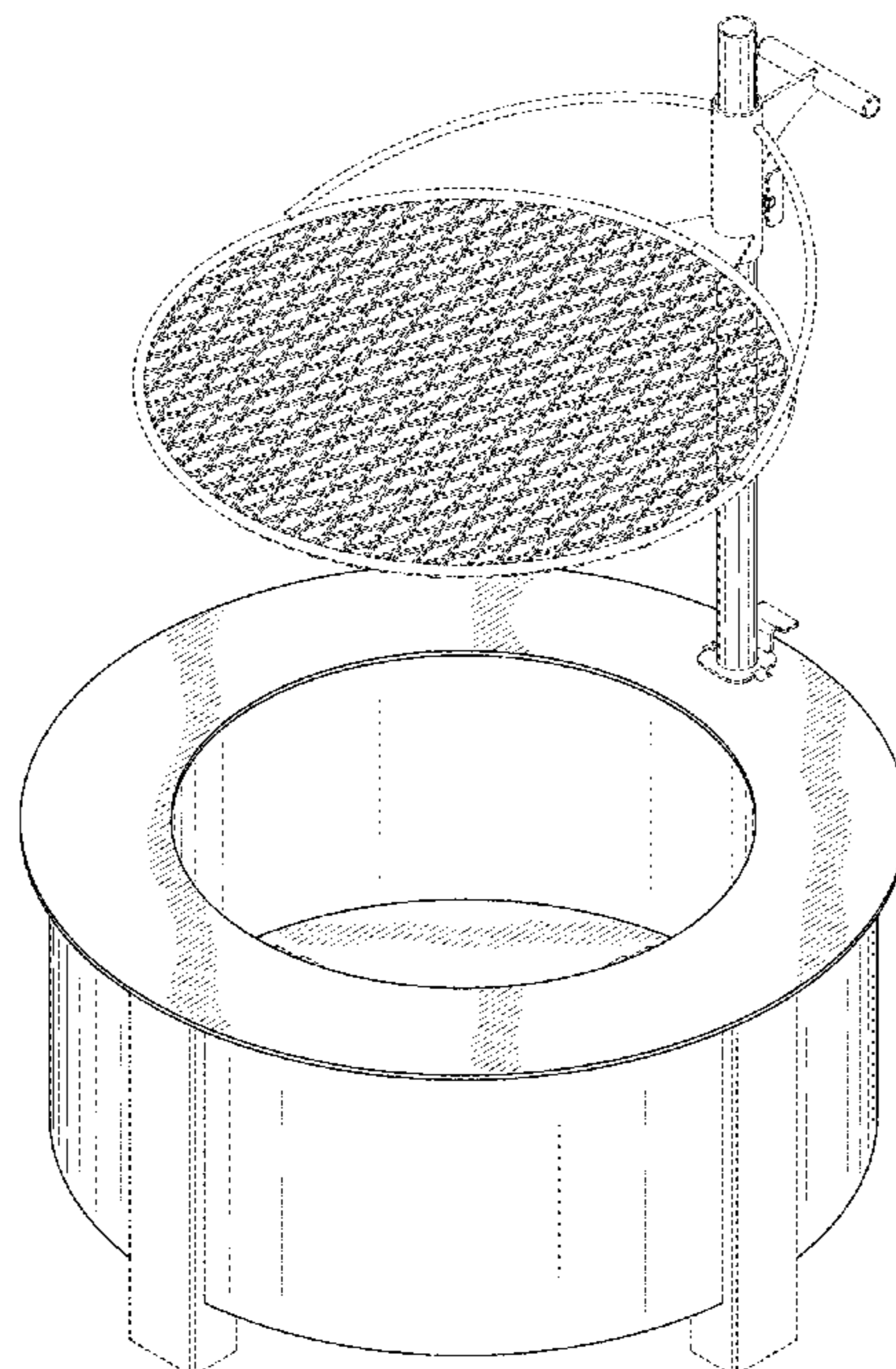
FIG. 8 is a top plan view thereof.

FIG. 9 is a top plan view taken along line 9-9 of FIG. 4; and,

FIG. 10 is a bottom plan view thereof.

The broken lines shown in the drawings are for purposes of illustrating portions of the article that form no part of the claimed design.

1 Claim, 10 Drawing Sheets



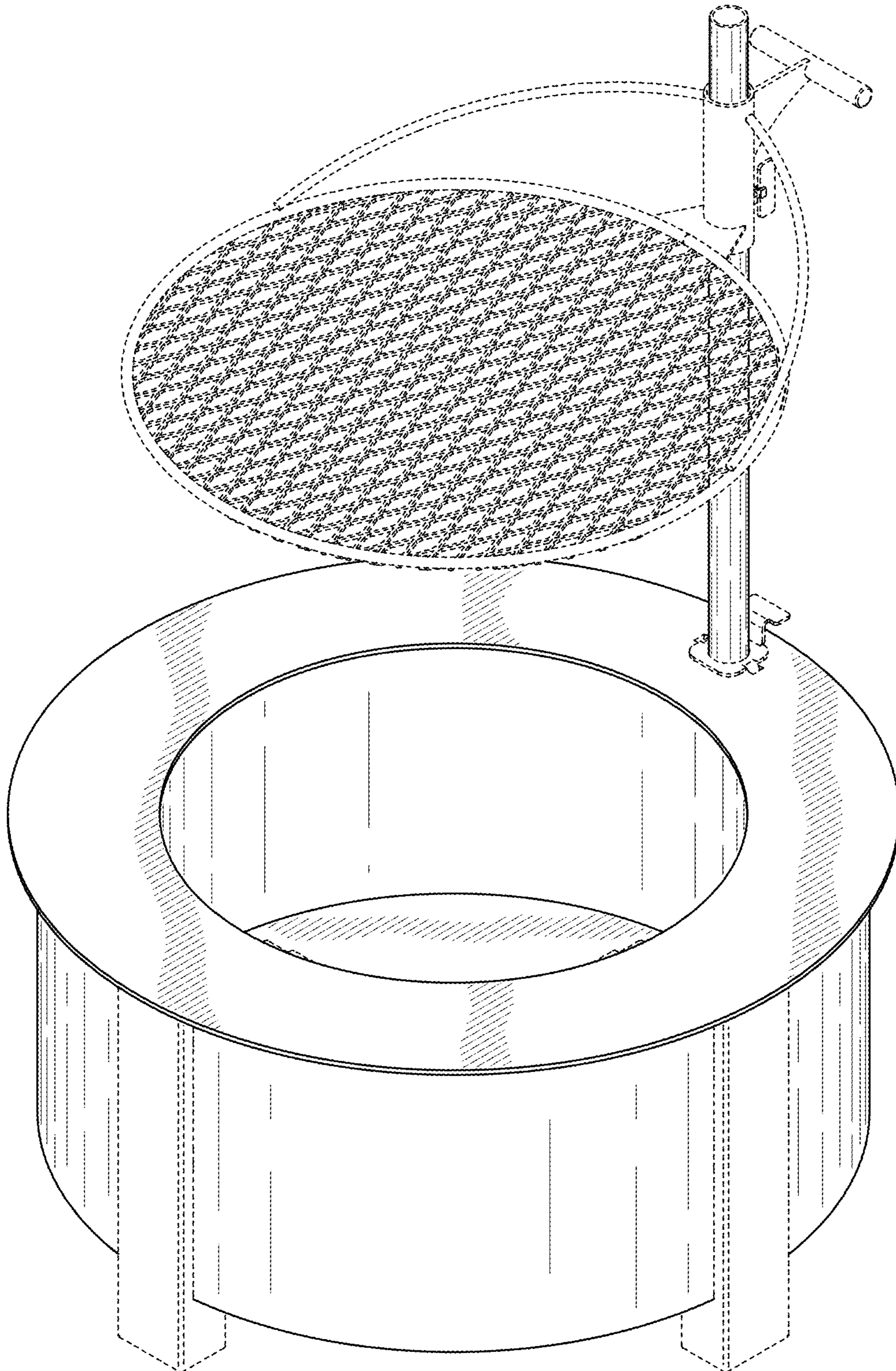


FIG. 1

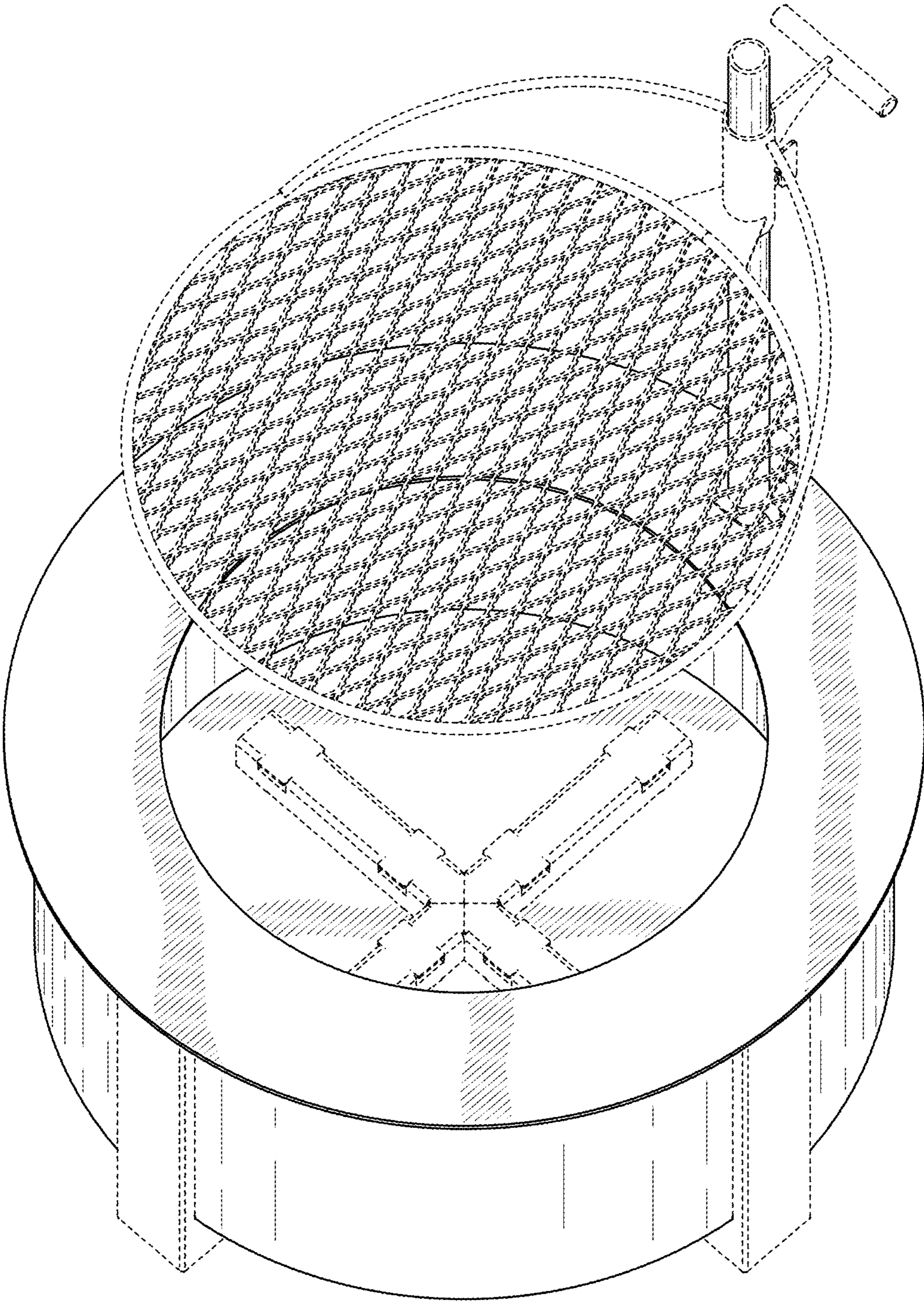


FIG. 2

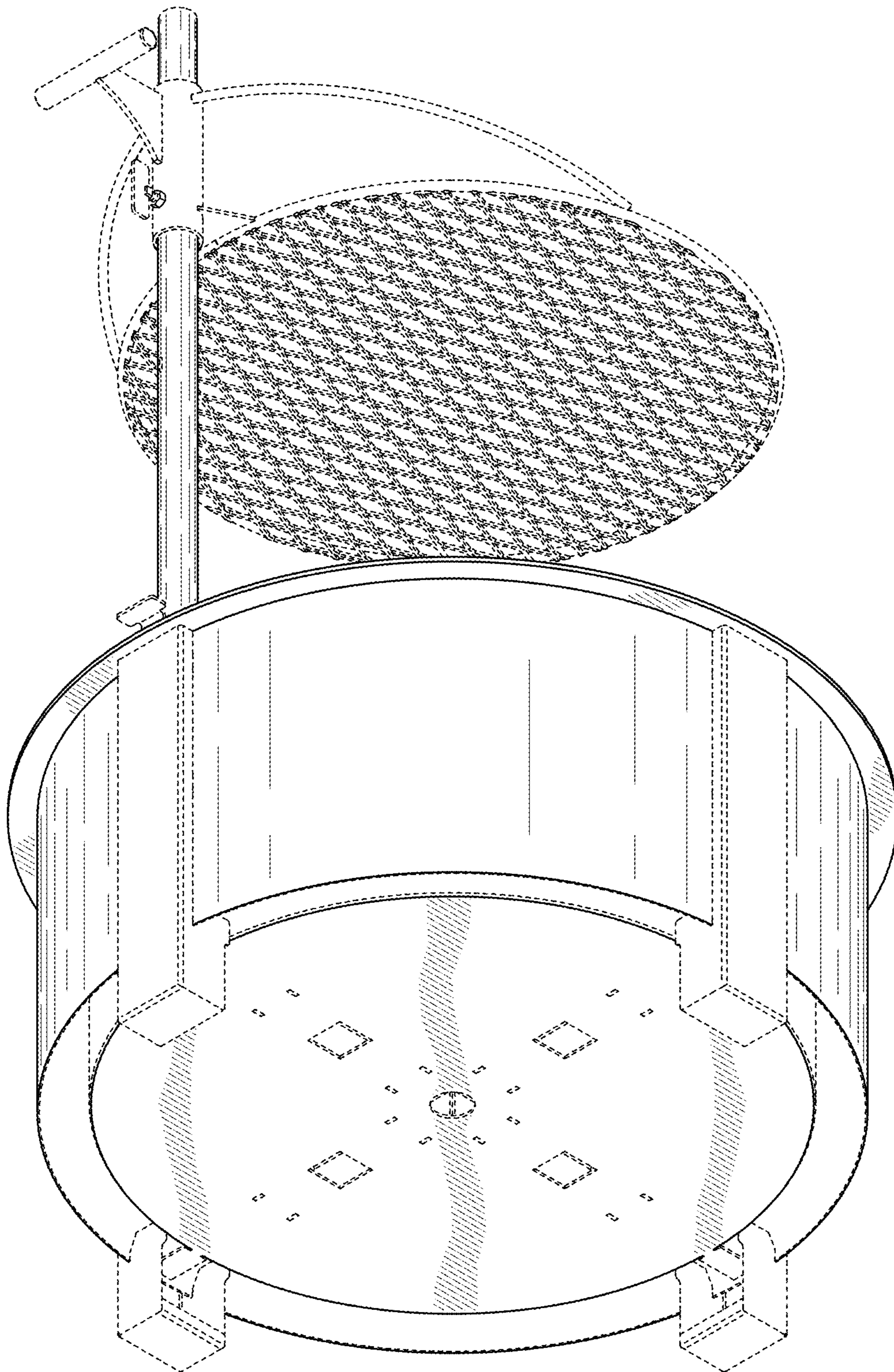


FIG. 3

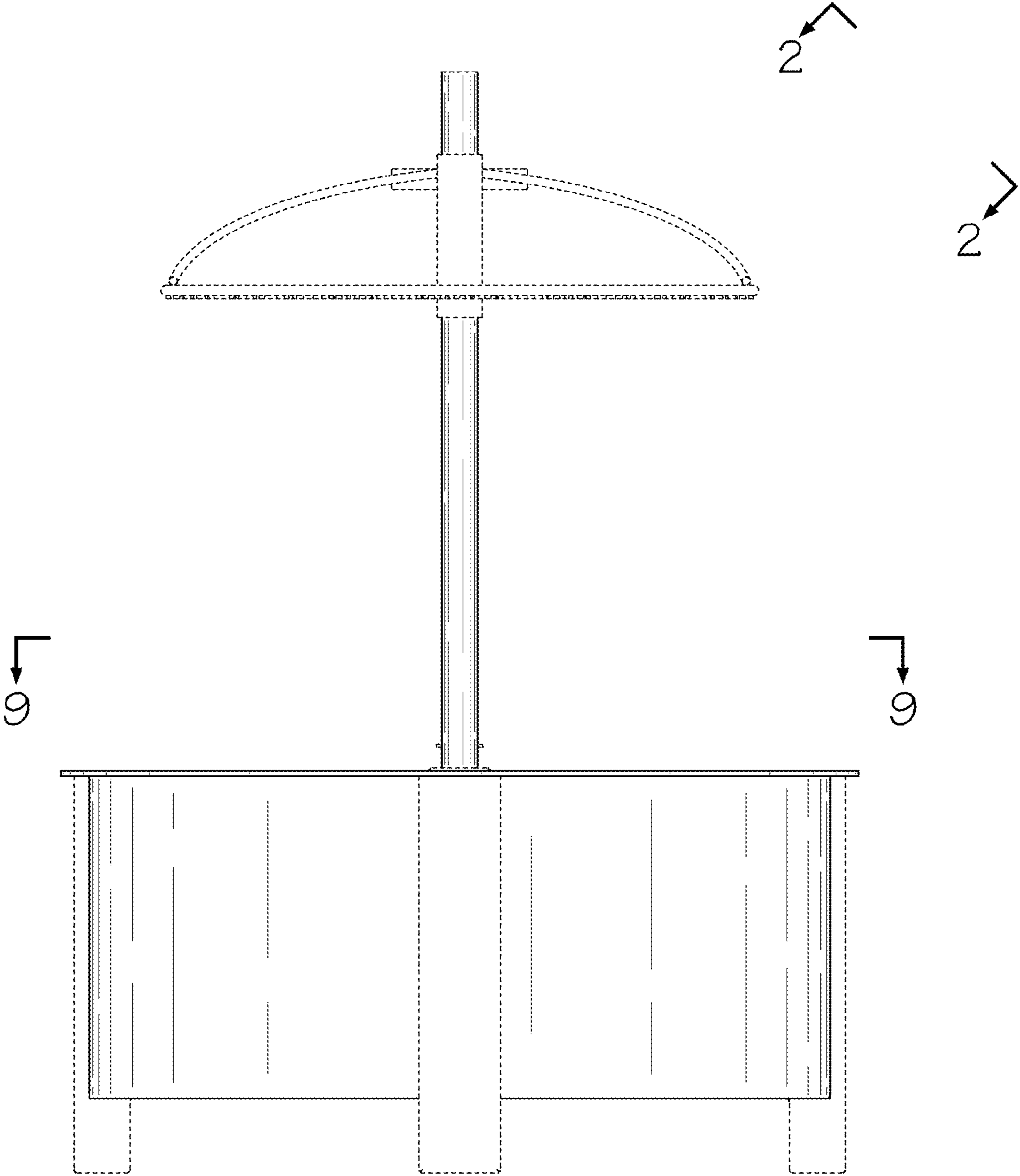


FIG. 4

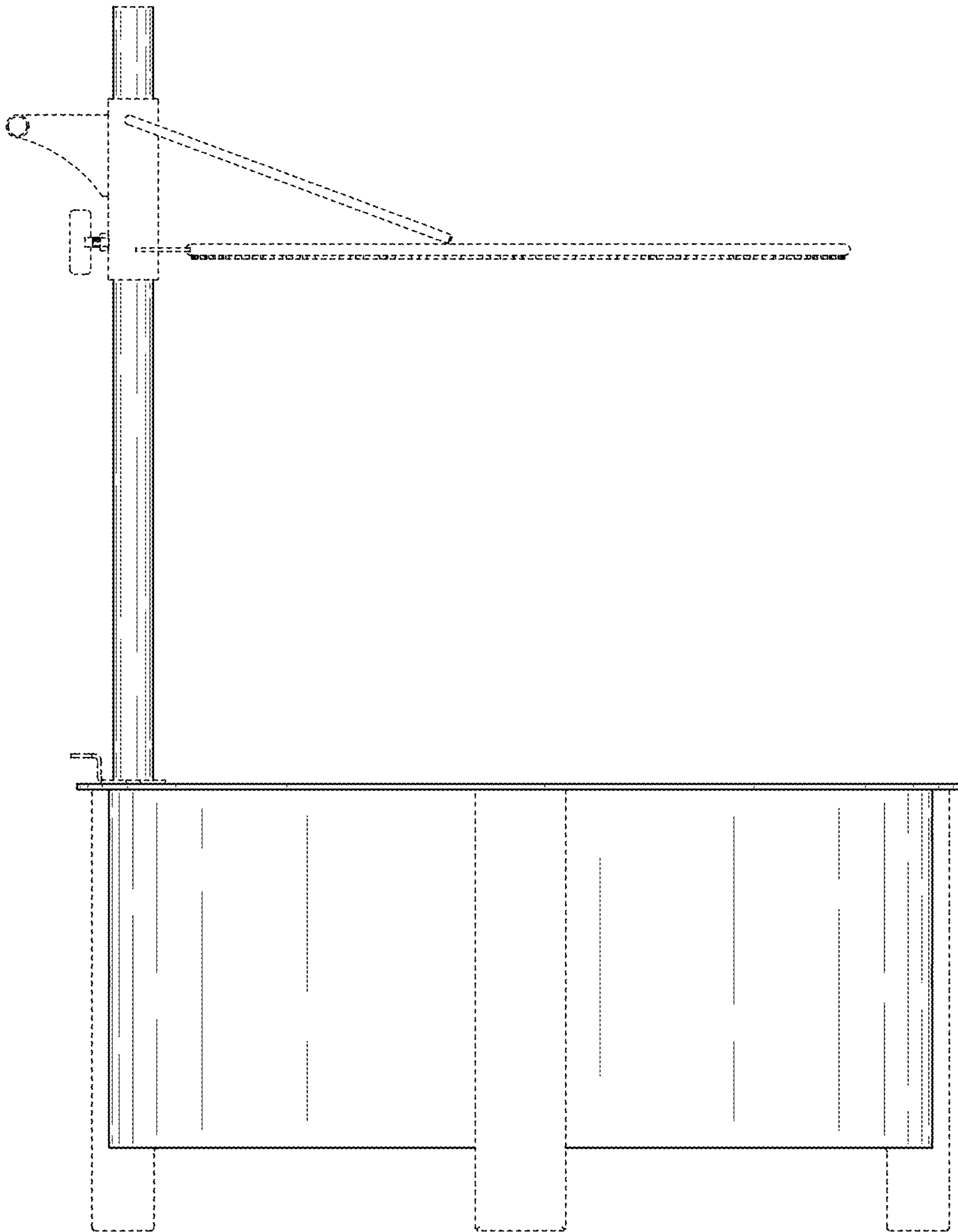


FIG. 5

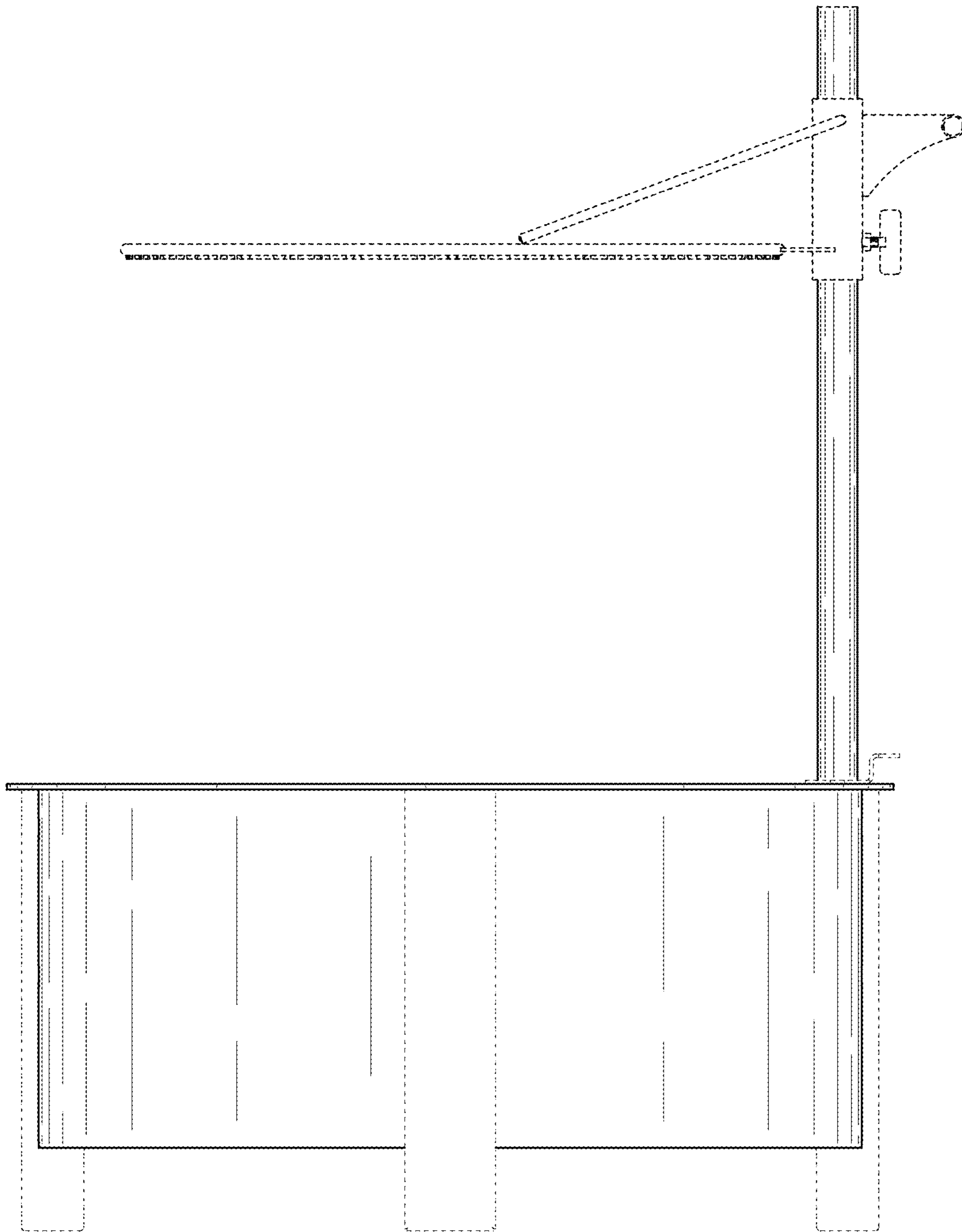


FIG. 6

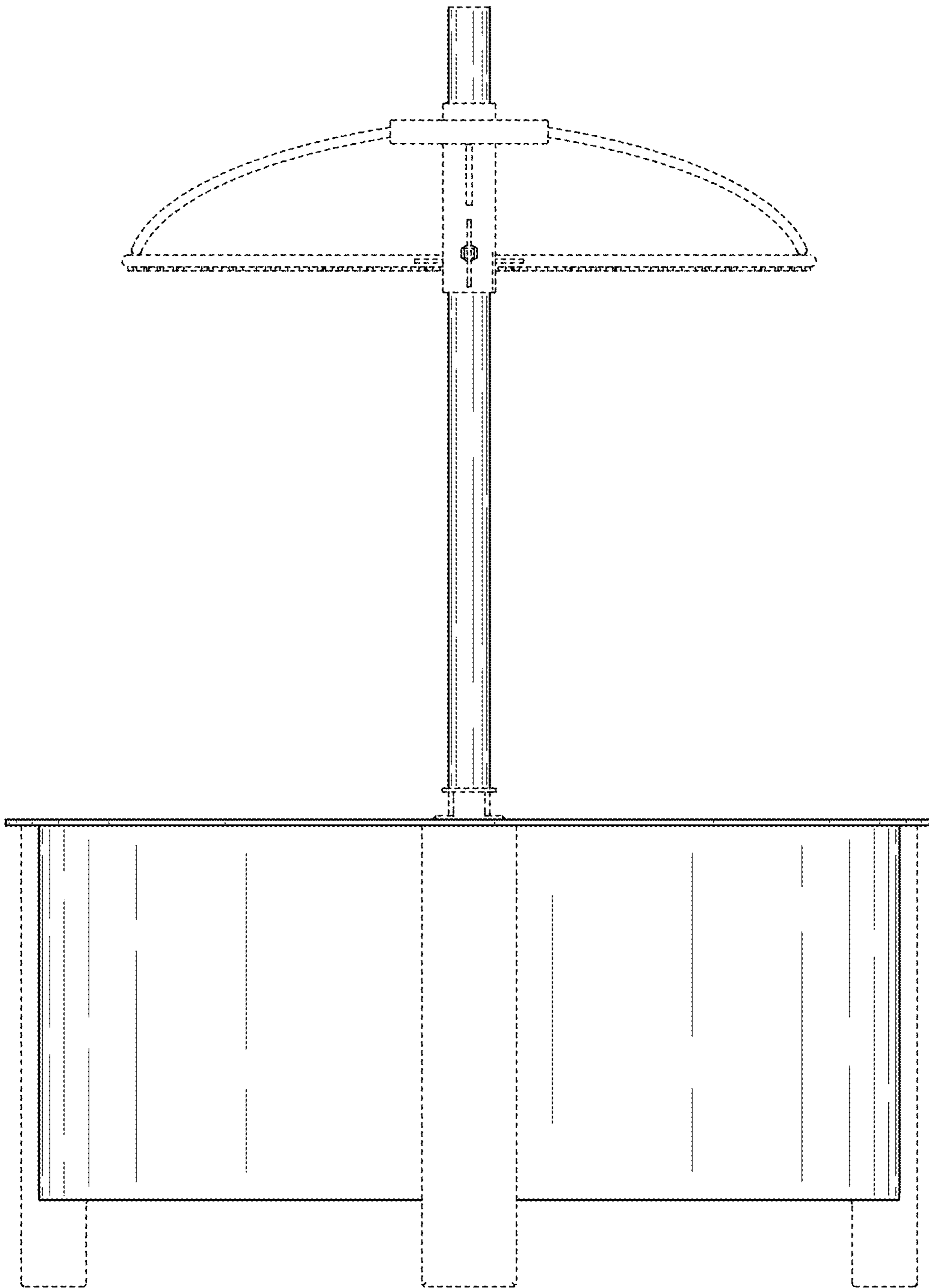


FIG. 7

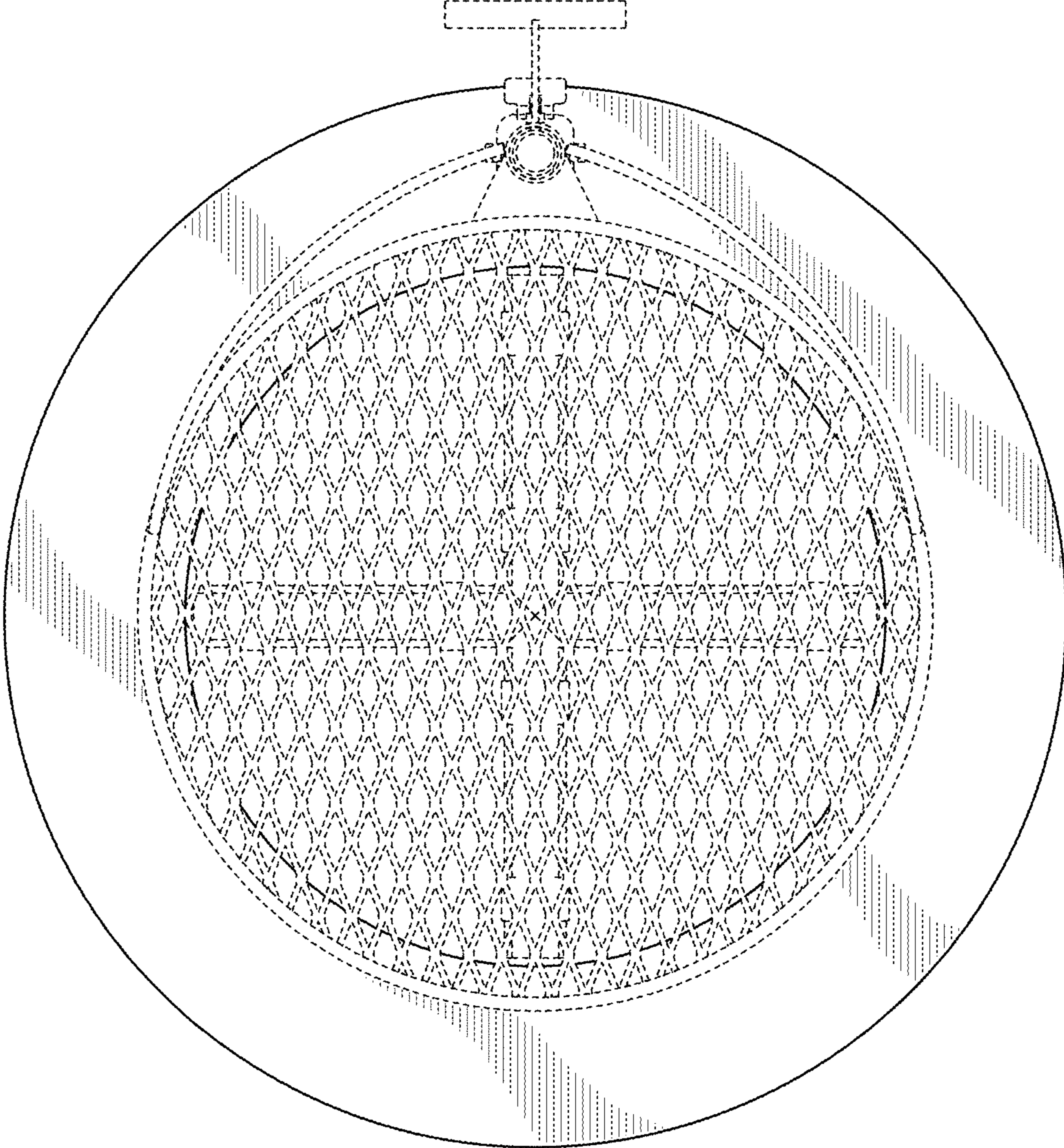


FIG. 8

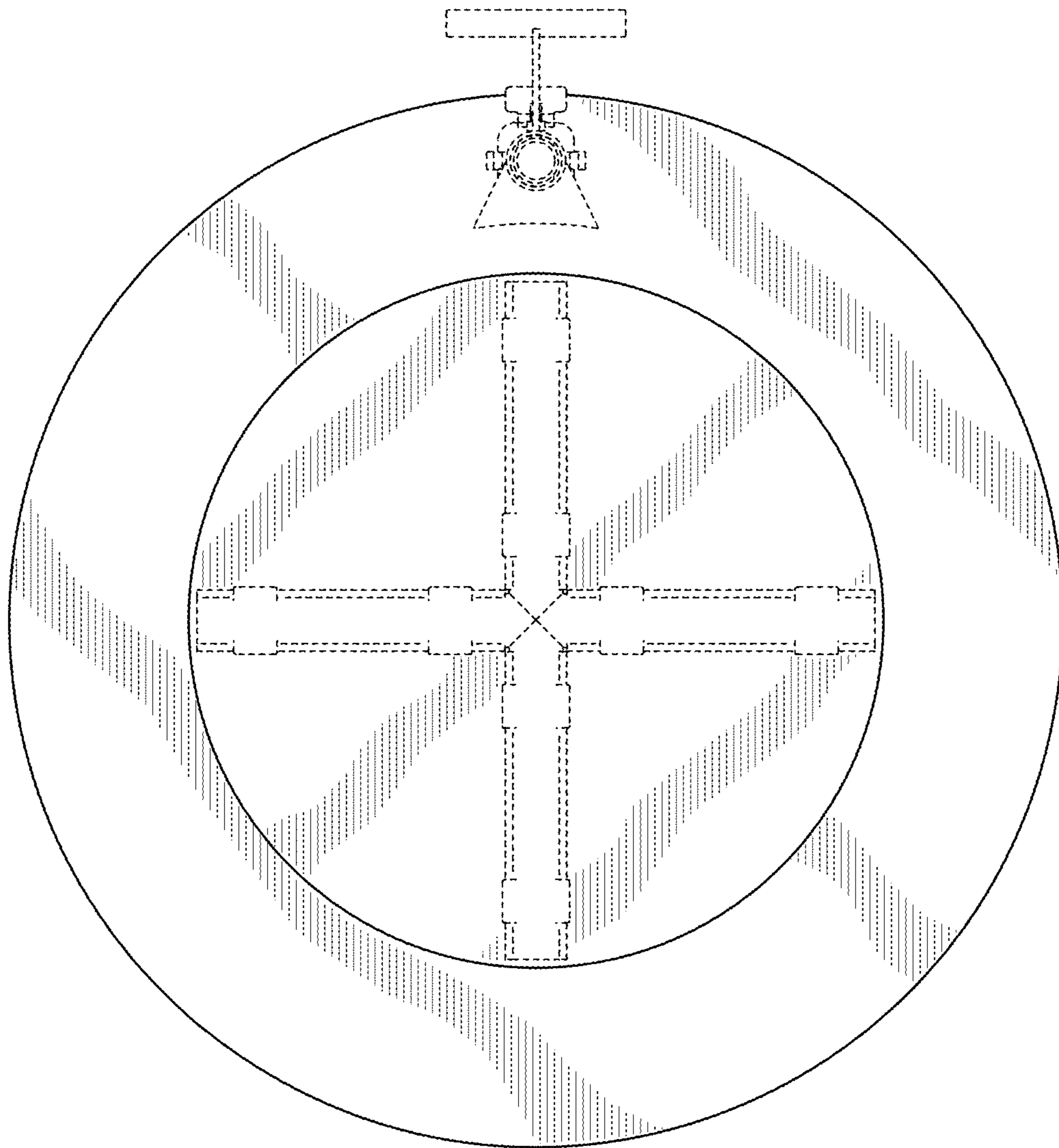


FIG. 9

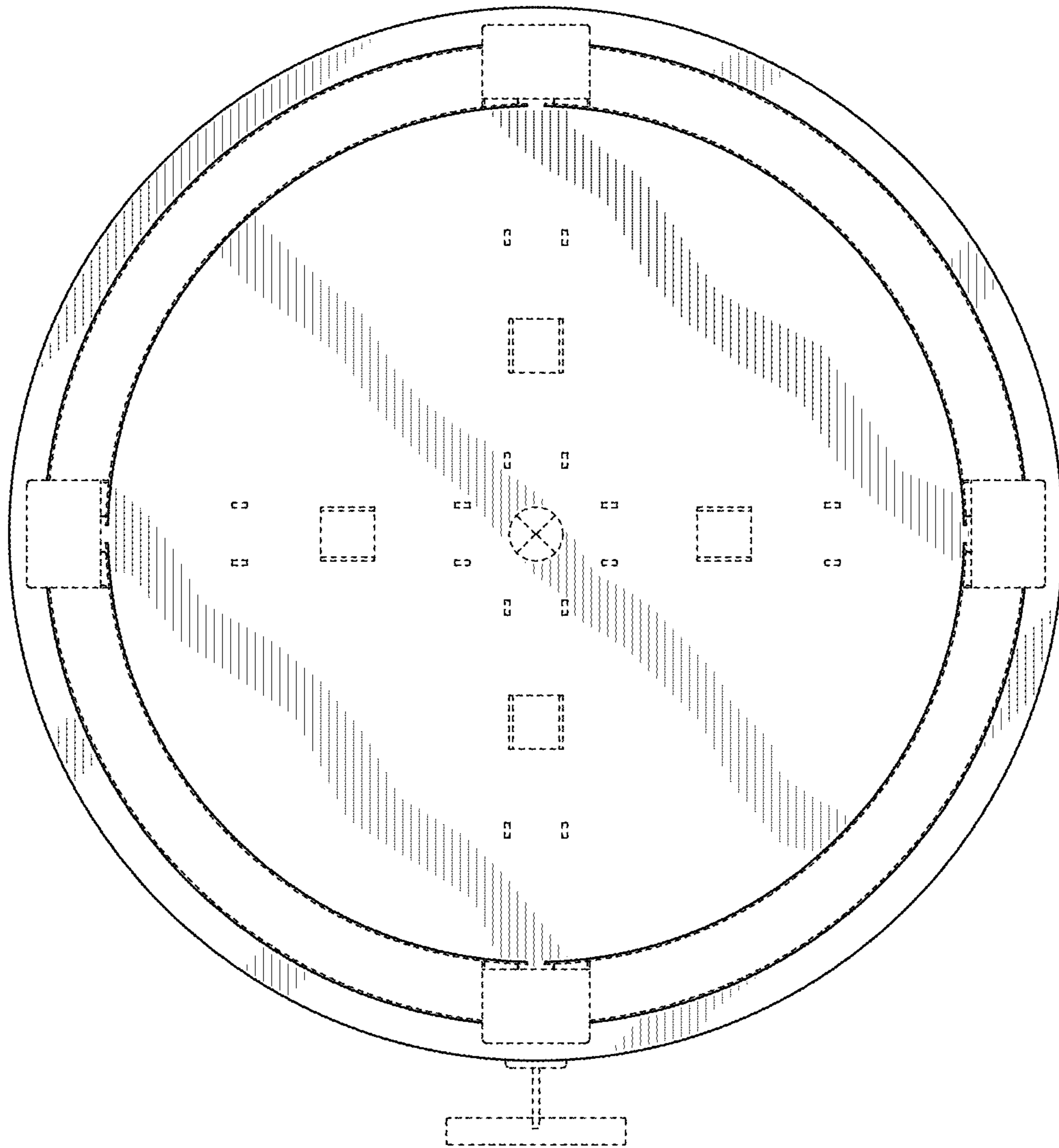


FIG. 10