

US00D918355S

(12) **United States Design Patent** (10) **Patent No.:** **US D918,355 S**
Schmitt et al. (45) **Date of Patent:** **** May 4, 2021**

(54) **FURNACE**
(71) Applicant: **Desktop Metal, Inc.**, Burlington, MA (US)
(72) Inventors: **Peter Schmitt**, Brookline, MA (US); **Justin Cumming**, Winchester, MA (US)
(73) Assignee: **Desktop Metal, Inc.**, Burlington, MA (US)
(**) Term: **15 Years**
(21) Appl. No.: **29/712,194**
(22) Filed: **Nov. 6, 2019**
(51) **LOC (13) Cl.** **23-03**
(52) **U.S. Cl.**
USPC **D23/329**
(58) **Field of Classification Search**
USPC D23/329, 314, 317, 318, 319, 332, 342, D23/355, 364; D13/184; D15/79, 81, D15/144.1
CPC .. B22F 3/003; F27B 15/04; F27B 9/32; F27B 1/12; F27B 5/06; F27B 5/00
See application file for complete search history.

D855,170 S * 7/2019 Hyon D23/364
D868,228 S * 11/2019 Schmitt D23/329
D892,286 S * 8/2020 Schmitt D23/329
D892,870 S * 8/2020 Choi D15/79
2002/0108949 A1* 8/2002 Gedevanishvili C03B 29/02
219/759
2007/0284793 A1* 12/2007 Kim F27B 5/06
266/143
2012/0067301 A1* 3/2012 Braathen F24H 9/2021
122/19.1
2017/0218660 A1* 8/2017 Muchna G06K 19/10

OTHER PUBLICATIONS

5 Foreign Patents from Orbit (Year: 2020).*
[No Author Listed], Multifunctional hot air circulation oven DO-30N. Yeong-Shin Company. 2 pages. URL: <http://www.yseco.com.tw/web/prodshow.asp?ID=3636> [retrieved Nov. 19, 2019].

* cited by examiner

Primary Examiner — Ania Aman
(74) *Attorney, Agent, or Firm* — Wolf, Greenfield & Sacks, P.C.

(57) **CLAIM**

The ornamental design for a furnace, as shown and described.

DESCRIPTION

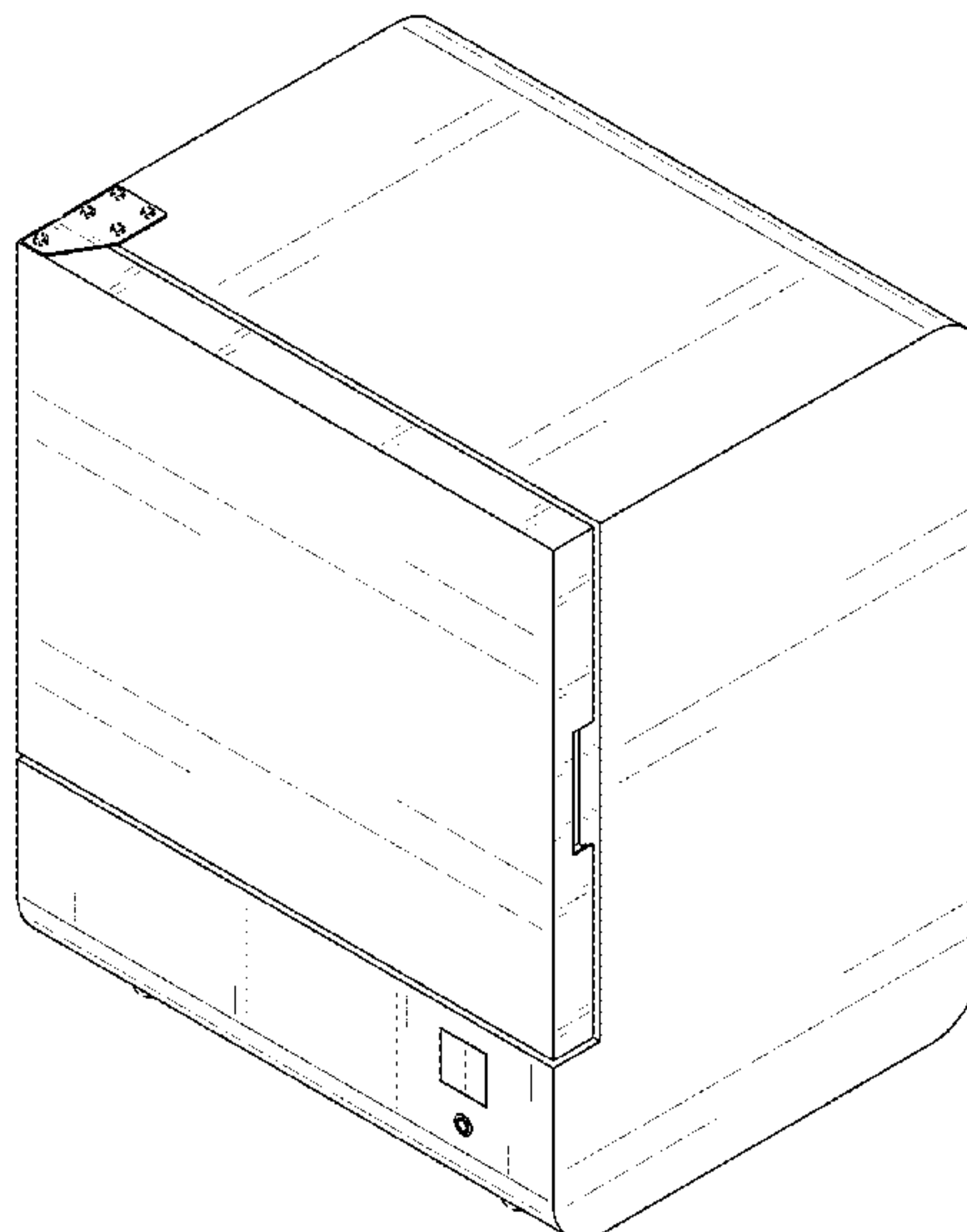
FIG. 1 is a top, front and right side perspective view of a furnace according to our new design;
FIG. 2 is a front elevation view thereof;
FIG. 3 is a right side elevation view thereof;
FIG. 4 is a left side elevation view thereof;
FIG. 5 is a rear elevation view thereof;
FIG. 6 is a top plan view thereof; and,
FIG. 7 is a bottom plan view thereof.
The broken lines illustrate portions of the furnace that form no part of the claimed design.

1 Claim, 7 Drawing Sheets

(56) **References Cited**

U.S. PATENT DOCUMENTS

1,961,022 A * 5/1934 Teller E05D 5/065
312/329
D99,943 S * 6/1936 Hess D23/329
2,948,276 A * 8/1960 Harding F24B 7/02
126/67
D285,196 S * 8/1986 Combs D13/184
D422,286 S * 4/2000 Choi D15/81
D440,987 S * 4/2001 Okamoto D15/81
D539,312 S * 3/2007 Kim D15/81
D540,831 S * 4/2007 Kim D15/81
D647,112 S * 10/2011 Okamoto D15/81
D846,600 S * 4/2019 Guo D15/81



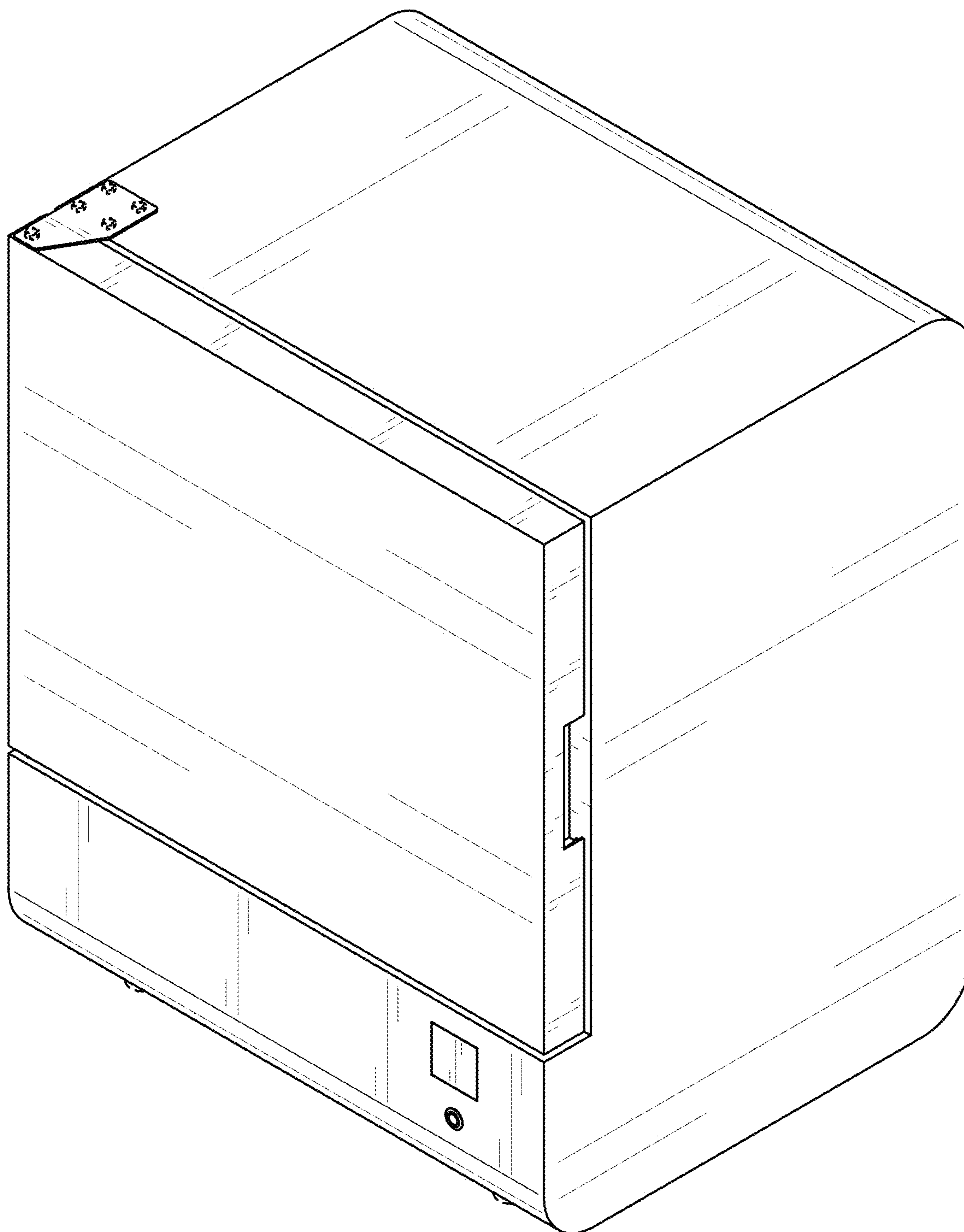


FIG. 1

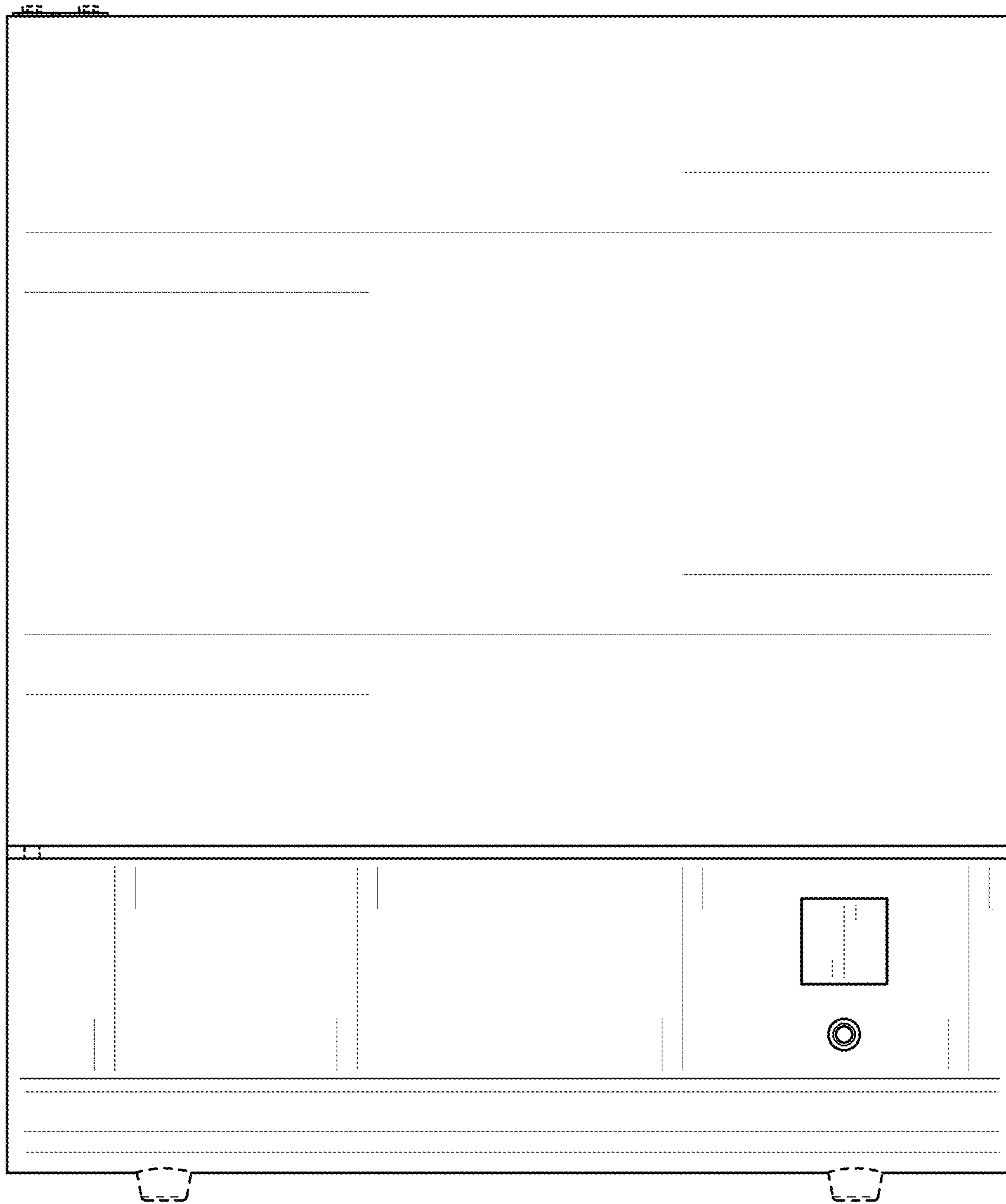


FIG. 2

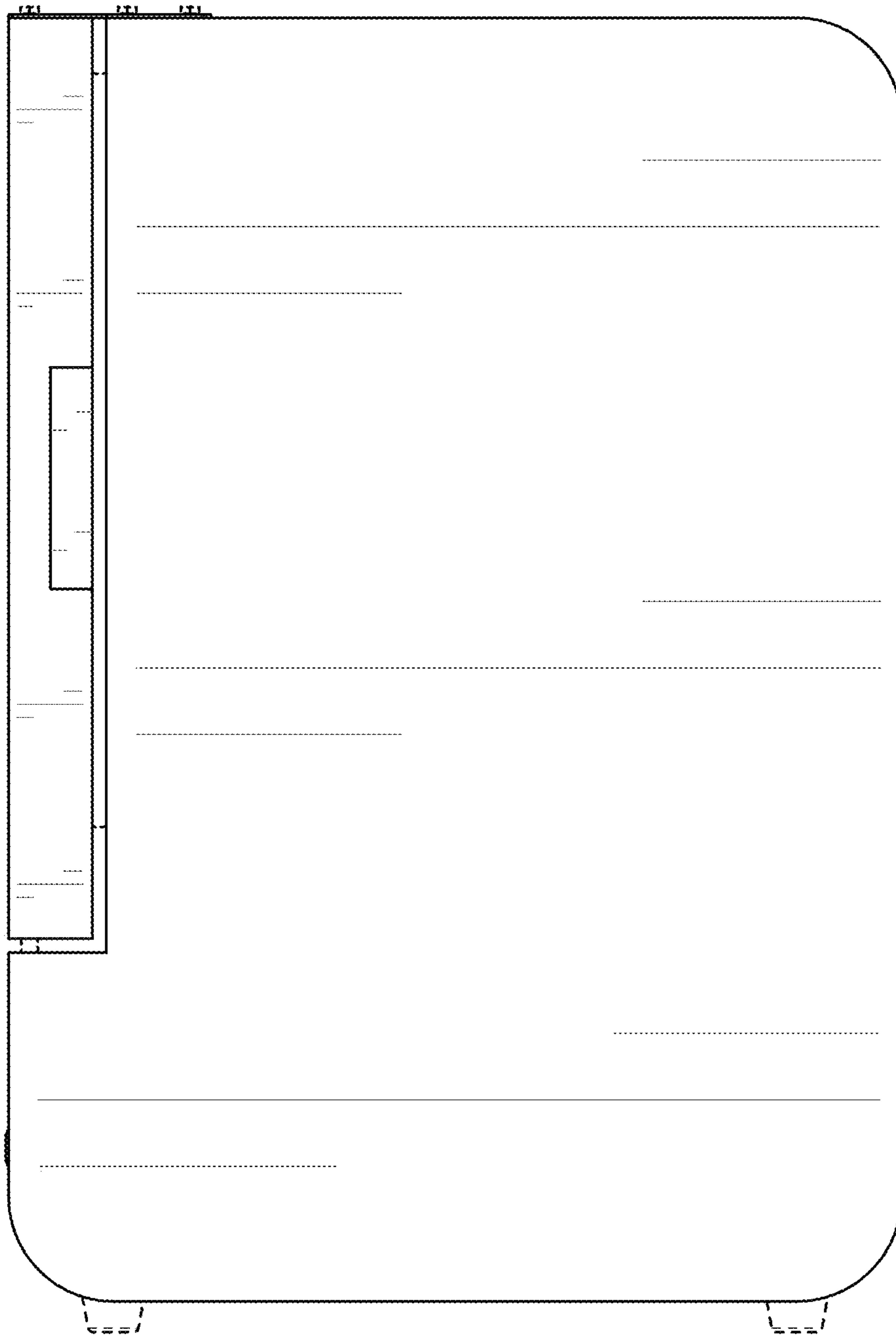


FIG. 3

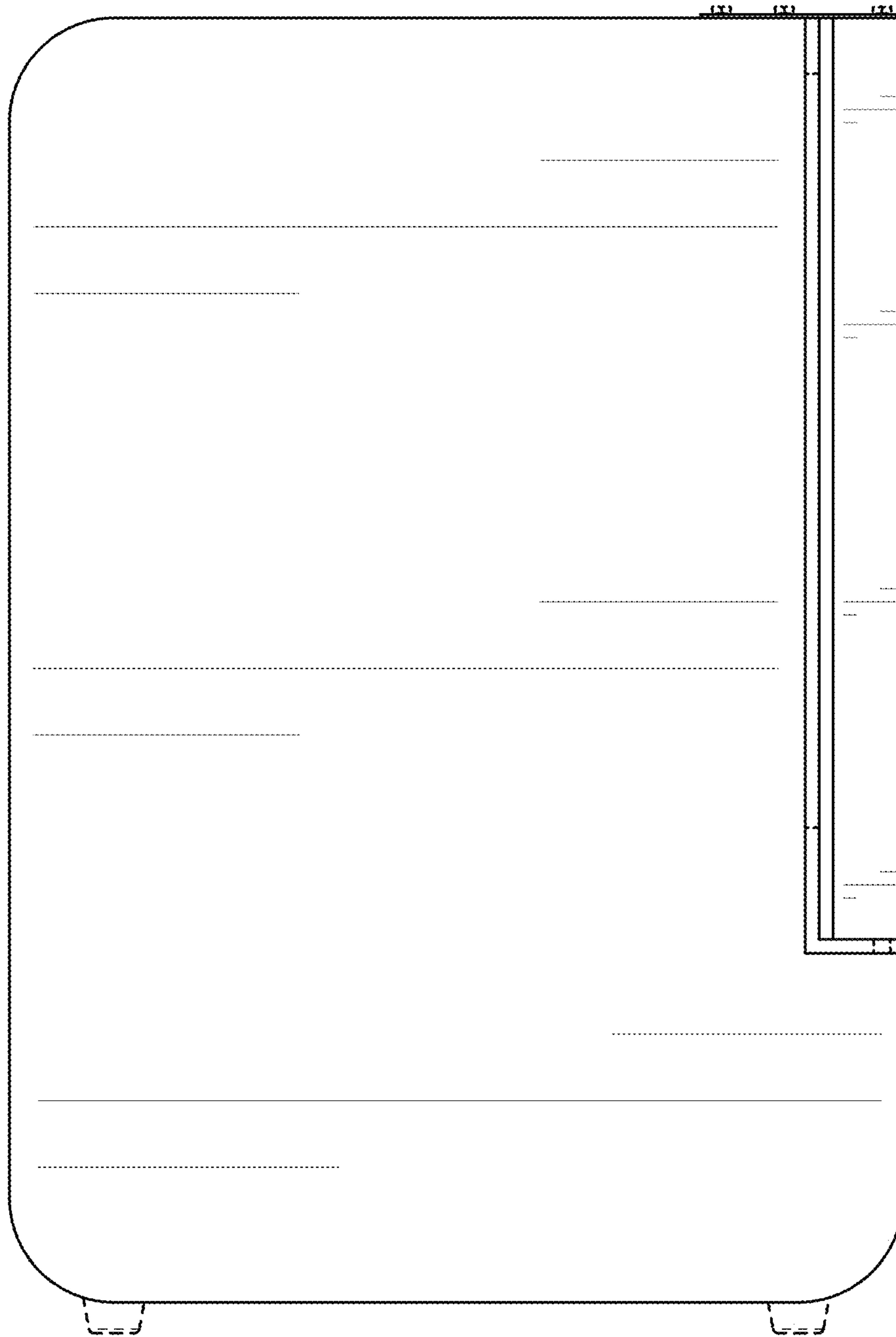


FIG. 4

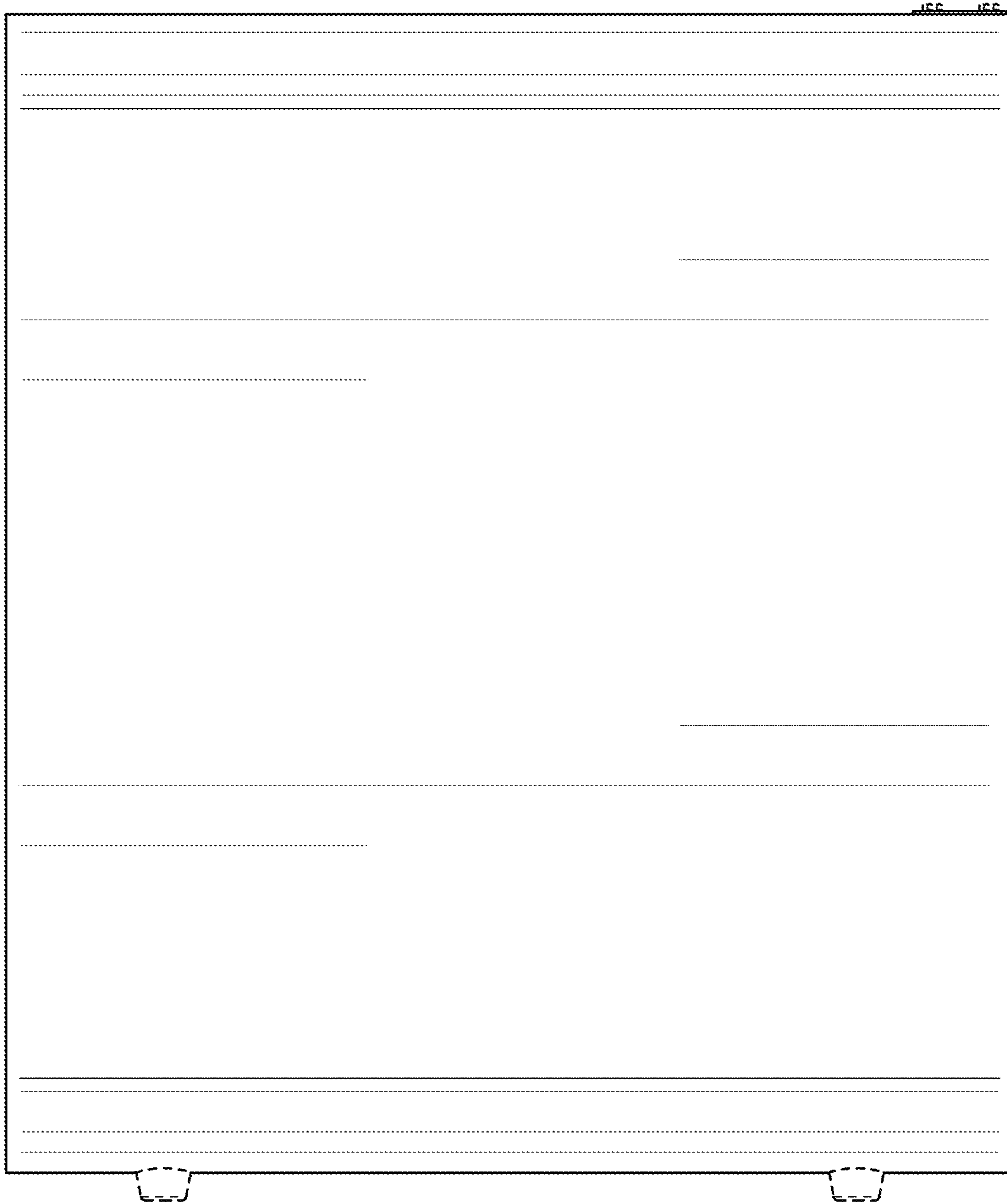


FIG. 5

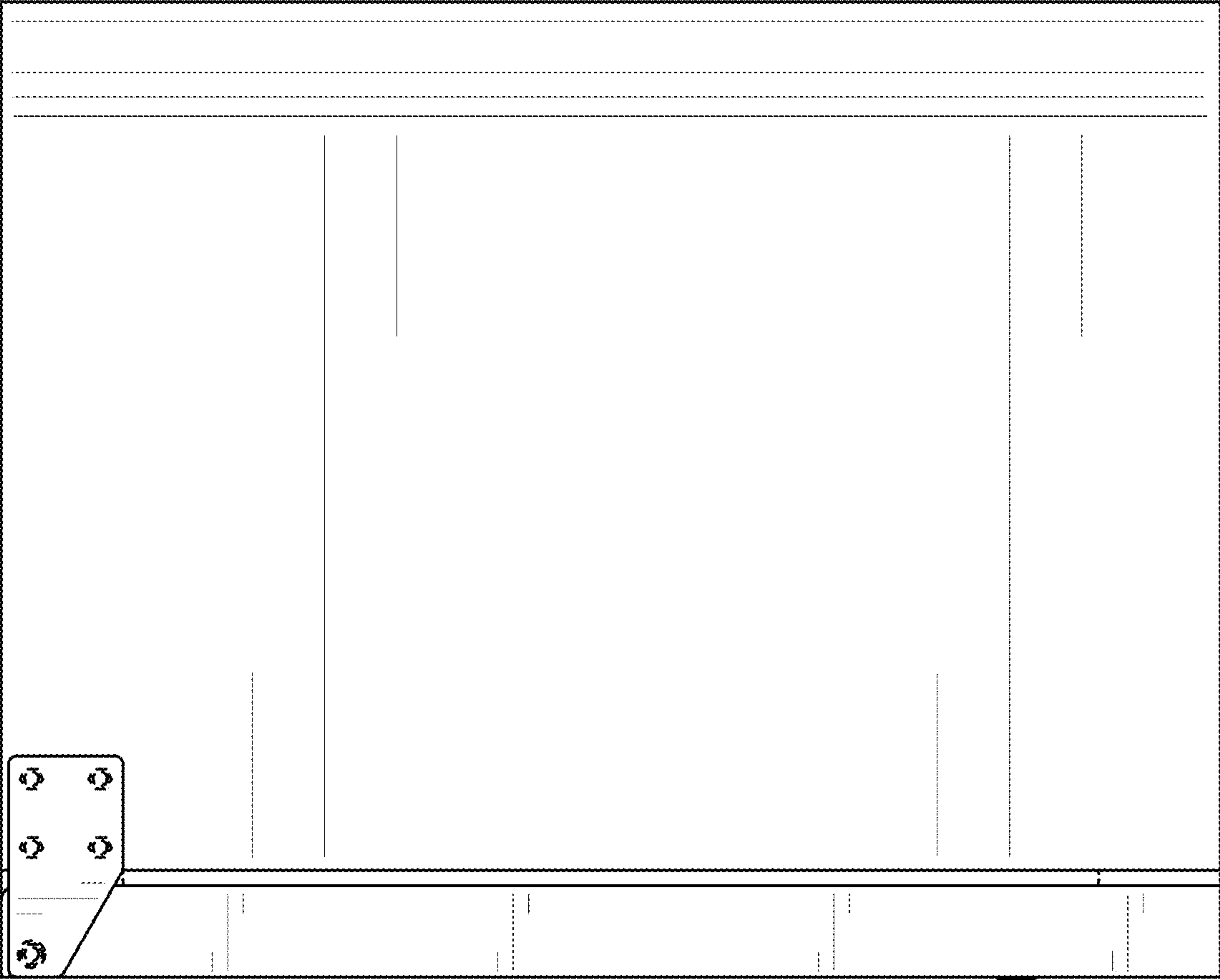


FIG. 6

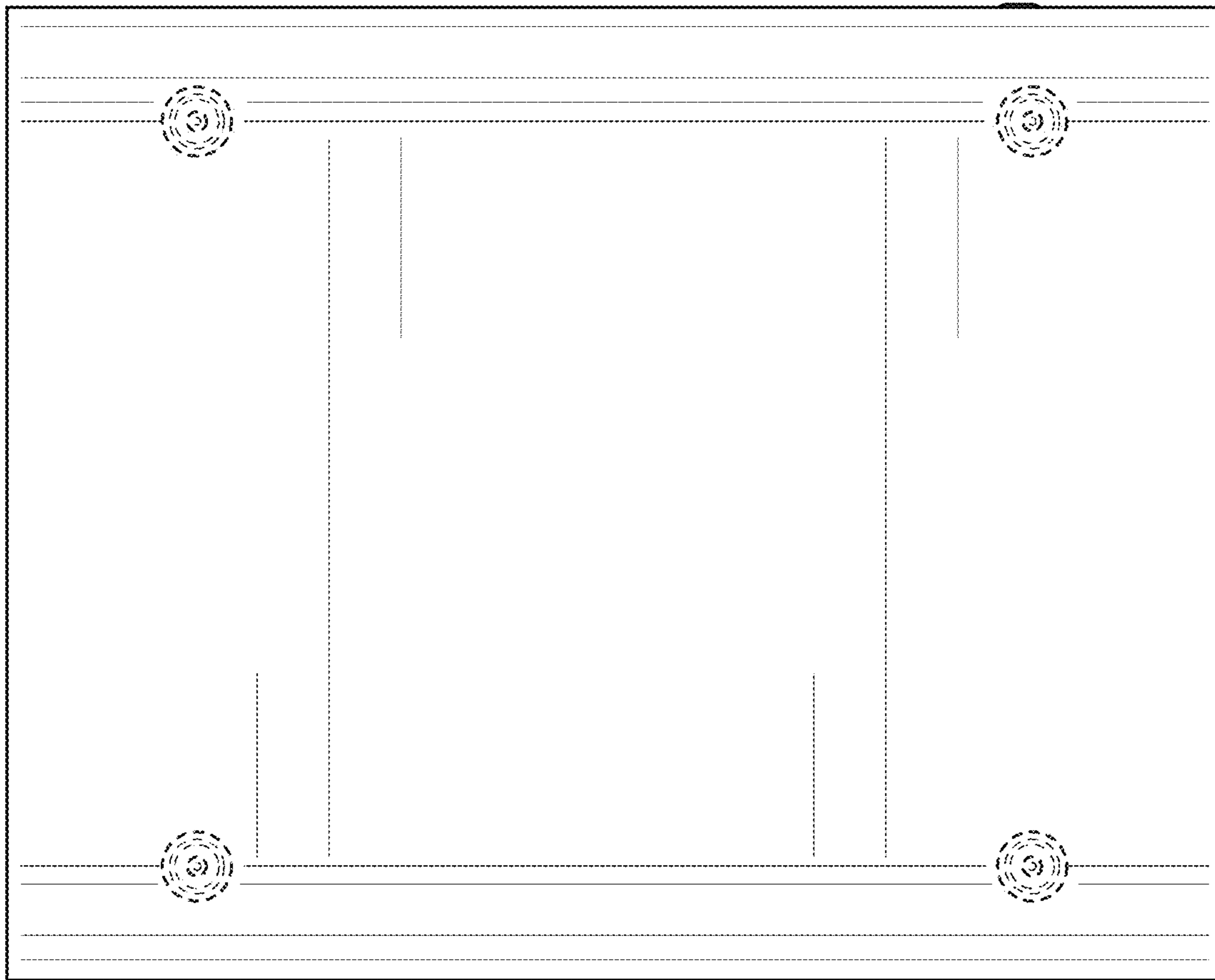


FIG. 7