



US00D918352S

(12) **United States Design Patent** (10) **Patent No.:** **US D918,352 S**
Li et al. (45) **Date of Patent:** **** *May 4, 2021**

(54) **SINK APRON**
(71) Applicants: **DeChang Li**, Maspeth, NY (US); **Ken Sapp**, Lakeville, MN (US)
(72) Inventors: **DeChang Li**, Maspeth, NY (US); **Ken Sapp**, Lakeville, MN (US)
(73) Assignee: **Compass Manufacturing International, LLC**, Louisville, KY (US)

D478,970 S * 8/2003 Ziemann D23/290
D492,983 S * 7/2004 Rachiele D23/293.1
D495,791 S * 9/2004 Bayer D23/290
D499,800 S * 12/2004 Trepanier D23/286
D501,541 S * 2/2005 Gordon D23/284
D646,364 S * 10/2011 Parekh D23/290
D671,197 S * 11/2012 Miller D23/290
D685,892 S * 7/2013 Dickout D23/290
D707,802 S * 6/2014 Jepson D23/290
D746,420 S * 12/2015 Kurth D23/290
D768,269 S * 10/2016 Francesconi D23/284
D796,650 S * 9/2017 Ziemann D23/290
D797,907 S * 9/2017 Esteve D23/293.1
D816,197 S * 4/2018 Chong D23/290

(*) Notice: This patent is subject to a terminal disclaimer.

* cited by examiner

(**) Term: **15 Years**

Primary Examiner — John A Voytek
(74) *Attorney, Agent, or Firm* — Carrithers Law Office, PLLC; David W. Carrithers

(21) Appl. No.: **29/651,584**

(22) Filed: **Sep. 29, 2018**

Related U.S. Application Data

(63) Continuation-in-part of application No. 29/620,418, filed on Dec. 2, 2016.

(51) **LOC (13) Cl.** **23-02**

(52) **U.S. Cl.**
USPC **D23/290**

(58) **Field of Classification Search**
USPC D23/284–292, 293.1, 295–301, 303, 308; D9/425; D8/1; D11/155, 156; D3/304
CPC A47K 1/04; A47B 77/06; A47J 47/20
See application file for complete search history.

(56) **References Cited**

U.S. PATENT DOCUMENTS

D427,670 S * 7/2000 Svendsen D23/290
D451,585 S * 12/2001 Svendsen D23/290

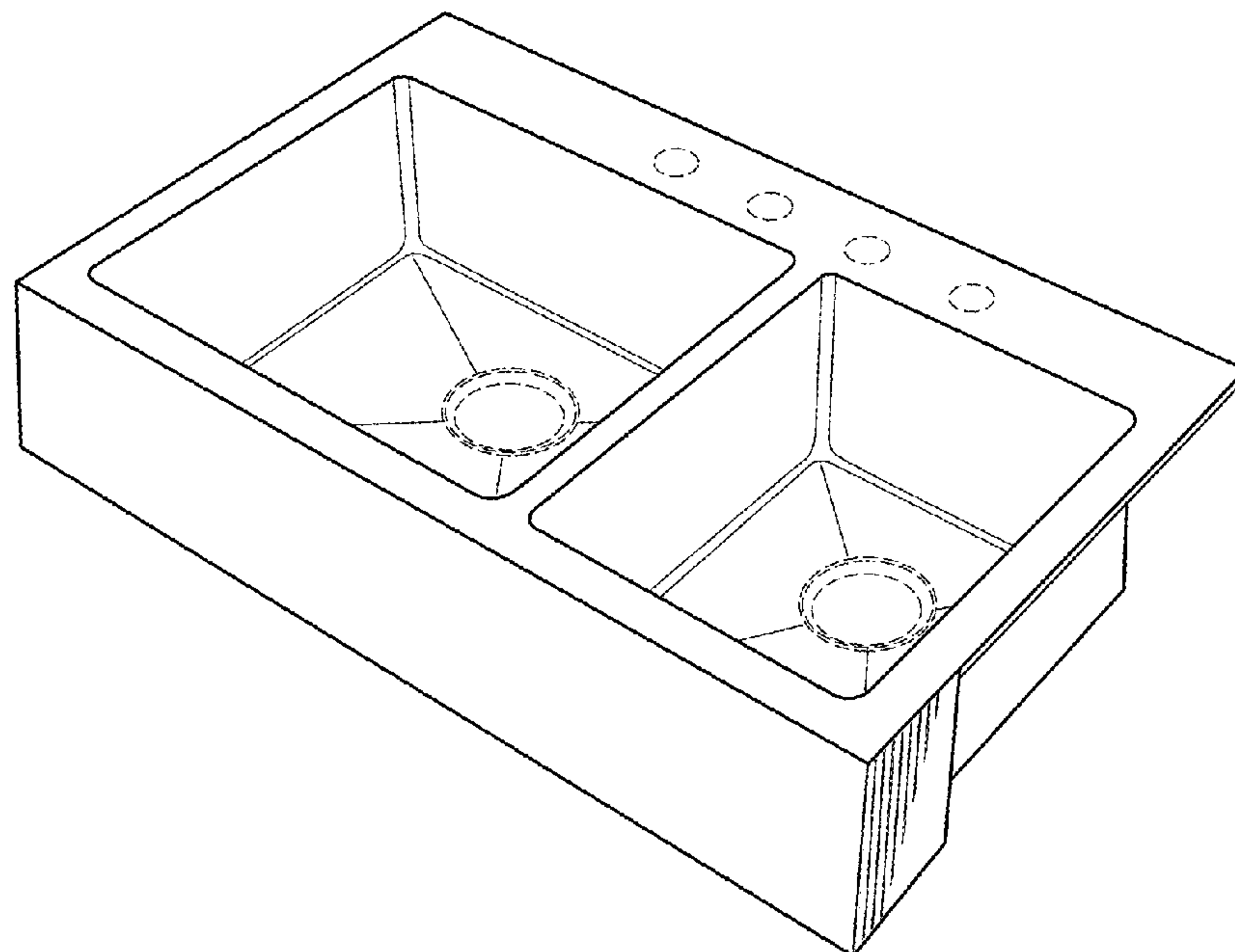
(57) **CLAIM**

The ornamental design for a sink apron, as shown and described.

DESCRIPTION

FIG. 1 is a perspective view of a sink apron showing my new design;
FIG. 2 is a top plan view thereof;
FIG. 3 is a bottom plan view thereof;
FIG. 4 is a right side view thereof;
FIG. 5 is a left side view thereof;
FIG. 6 is a front plan view thereof; and,
FIG. 7 is a rear plan view thereof.
The broken lines shown in the drawings represent portions of the sink that form no part of the claimed design.

1 Claim, 2 Drawing Sheets



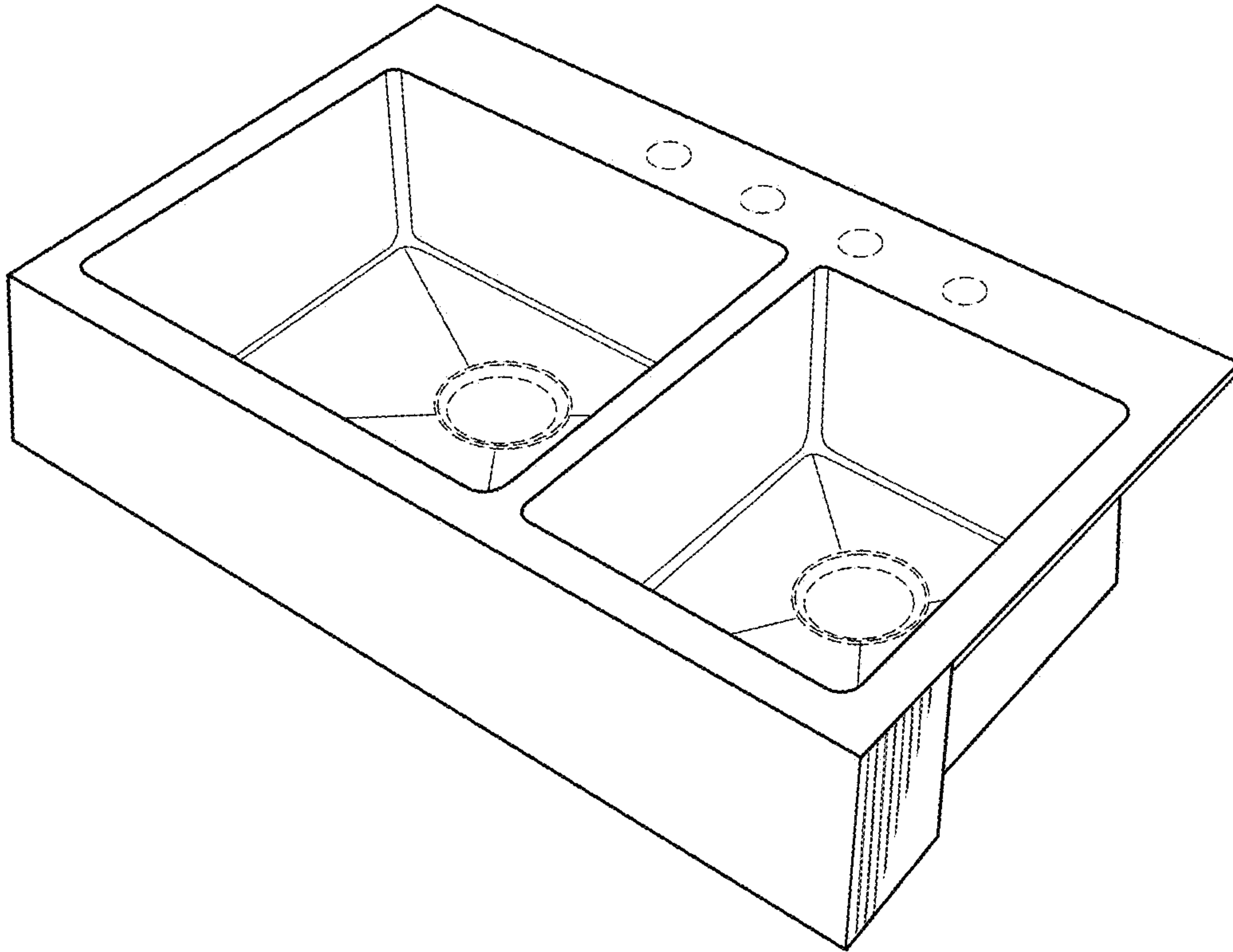


FIG. 1

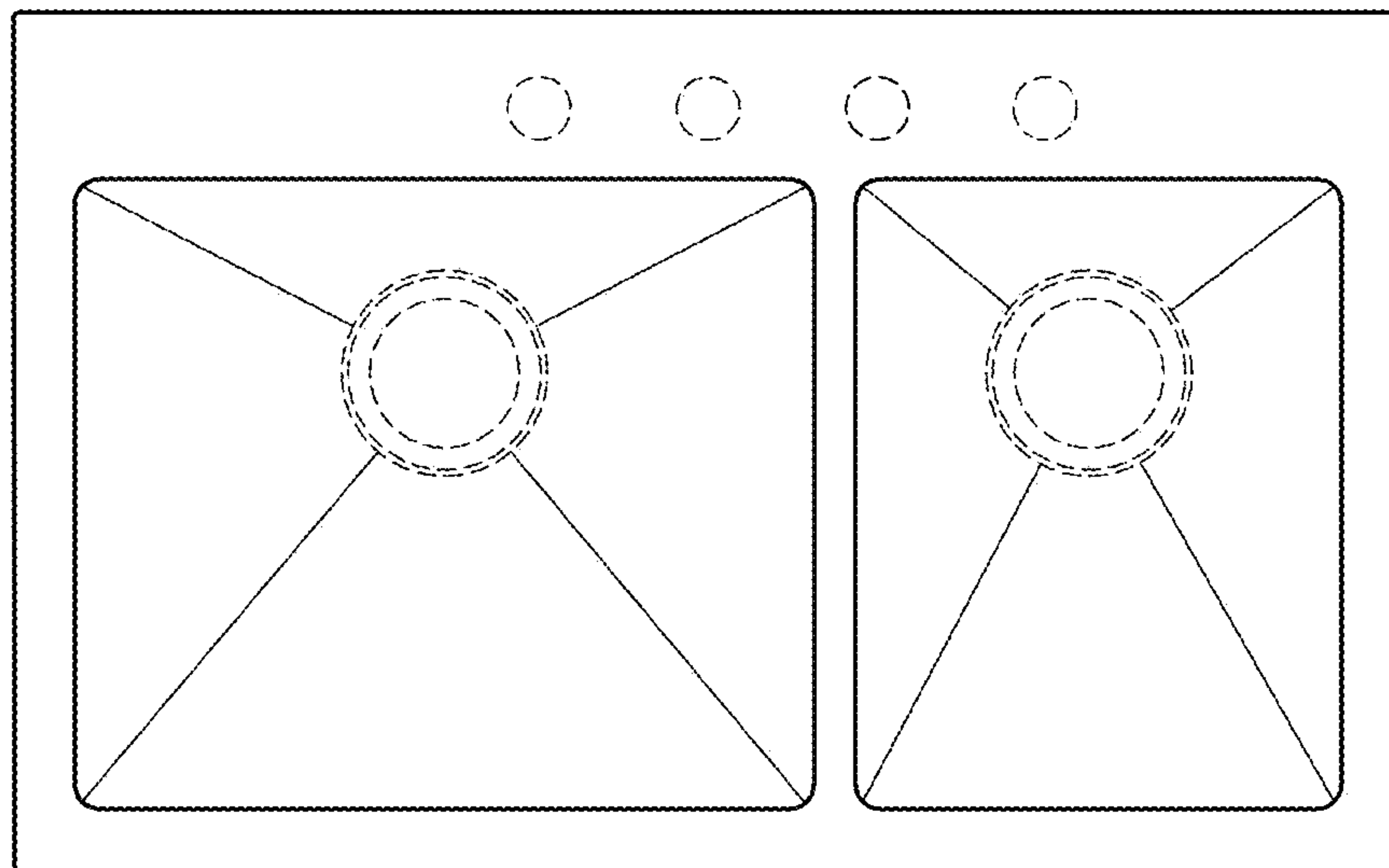


FIG. 2

FIG. 3

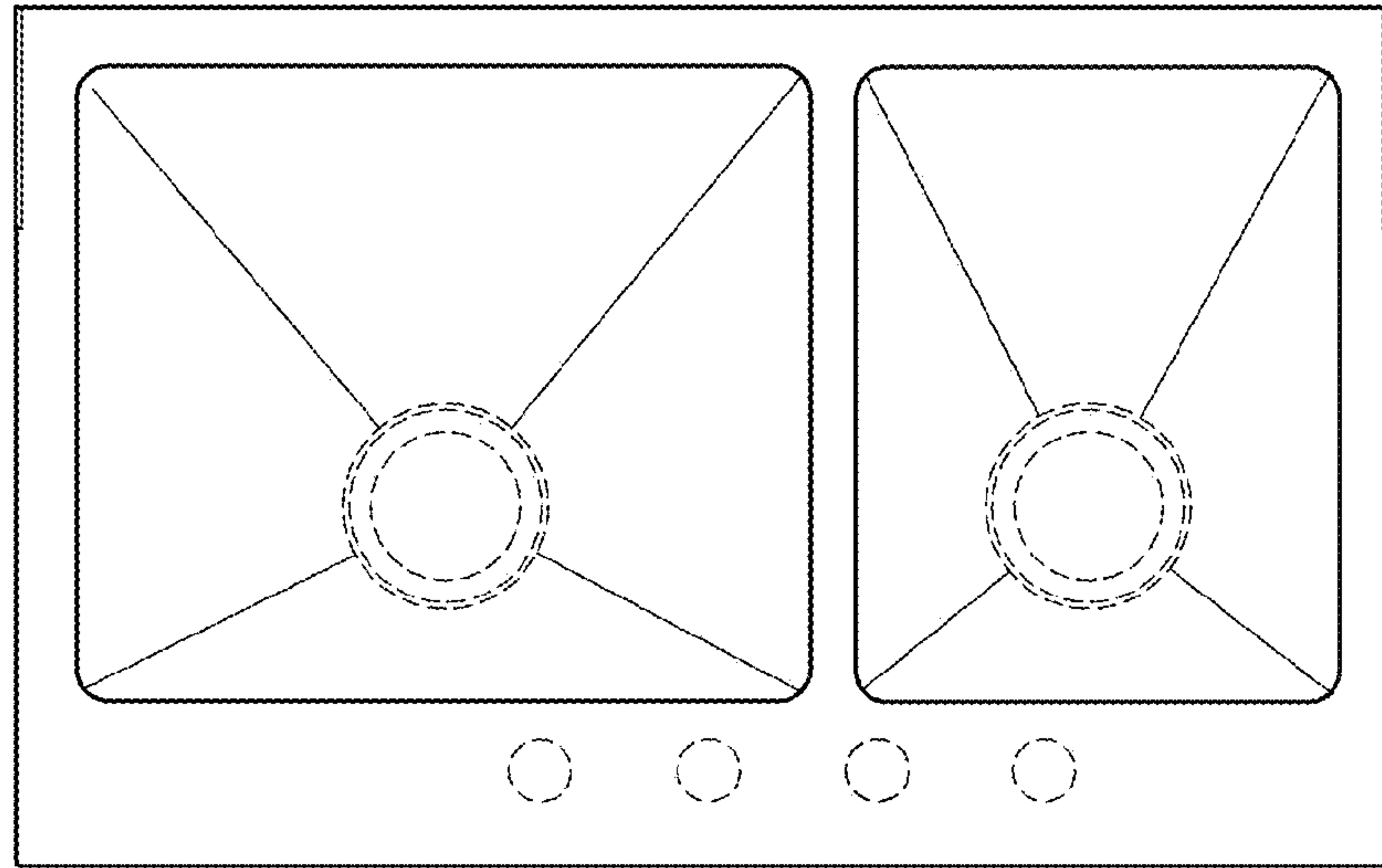


FIG. 4



FIG. 5

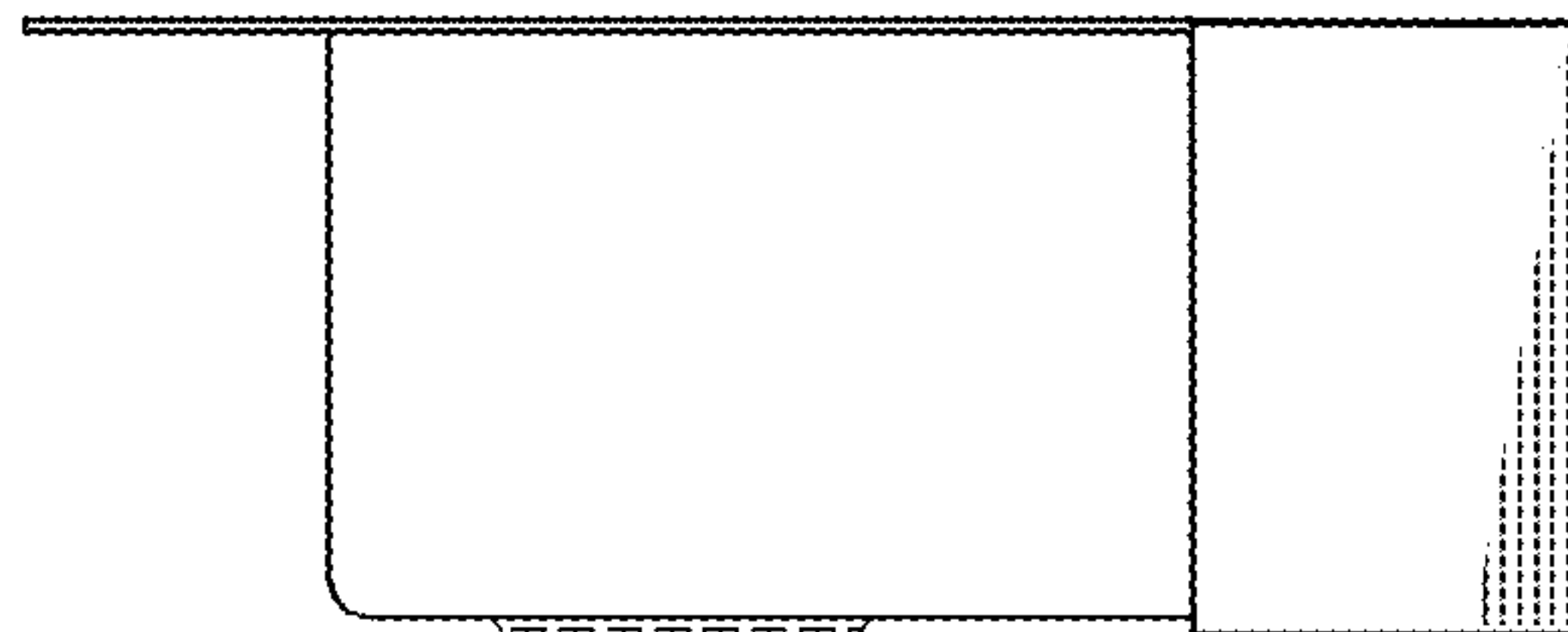


FIG. 6



FIG. 7

