



US00D918351S

(12) **United States Design Patent** (10) **Patent No.:** **US D918,351 S**
Junior (45) **Date of Patent:** **** May 4, 2021**

(54) **BATHTUB**

(71) Applicant: **Milton Favaro Junior**, Curitiba (BR)

(72) Inventor: **Milton Favaro Junior**, Curitiba (BR)

(**) Term: **15 Years**

(21) Appl. No.: **29/655,271**

(22) Filed: **Jul. 2, 2018**

(51) **LOC (13) Cl.** **23-02**

(52) **U.S. Cl.**

USPC **D23/277**

(58) **Field of Classification Search**

USPC D6/333; D23/270, 271, 275, 277, 278,
D23/279, 280.1, 280.2, 280.3, 280.4, 304,
D23/305, 307

CPC A47K 3/00; A47K 3/001; A47K 3/002;
A47K 3/003; A47K 3/004; A47K 3/005;
A47K 3/006; A47K 3/02; A47K 3/022;
A47K 3/024; A47K 3/03; A47K 3/034;
A47K 3/04; A47K 3/064; A47K 3/074;
A47K 3/127

See application file for complete search history.

(56) **References Cited**

U.S. PATENT DOCUMENTS

D350,597 S * 9/1994 Wise D23/278
D504,178 S * 4/2005 Zolotnik D24/213

D561,878 S * 2/2008 Erli D23/278
D716,919 S * 11/2014 Yeung D23/296
D724,707 S * 3/2015 Murphy D23/278
D741,461 S * 10/2015 Tu D23/278
D825,722 S * 8/2018 Burnstein D23/280.1
D882,047 S * 4/2020 Burnstein D23/277

* cited by examiner

Primary Examiner — Jasmine Mlinarcik

(74) *Attorney, Agent, or Firm* — Scott Houtteman;
Houtteman Law LLC

(57) **CLAIM**

The ornamental design for a bathtub, as shown and described.

DESCRIPTION

FIG. 1 is a right side top perspective view of a bathtub.

FIG. 2 is a top plan view thereof.

FIG. 3 is a left side top perspective view thereof.

FIG. 4 is a rear view thereof.

FIG. 5 is a right side view thereof.

FIG. 6 is a front side view thereof.

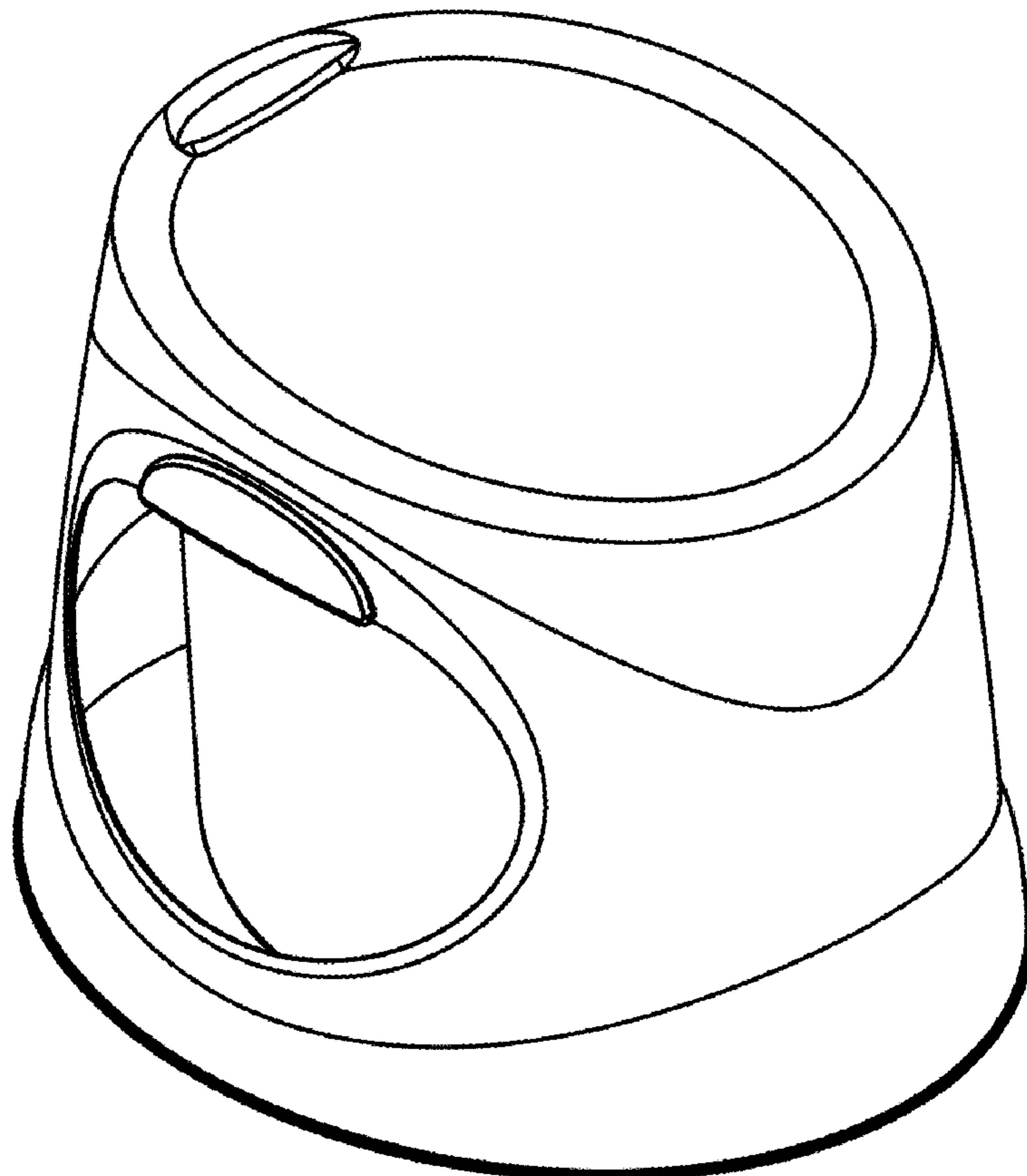
FIG. 7 is a left side view thereof.

FIG. 8 is a bottom side view thereof; and,

FIG. 9 is a right side bottom perspective view thereof.

The broken lines depict portions of the bathtub that form no part of the claimed design.

1 Claim, 9 Drawing Sheets



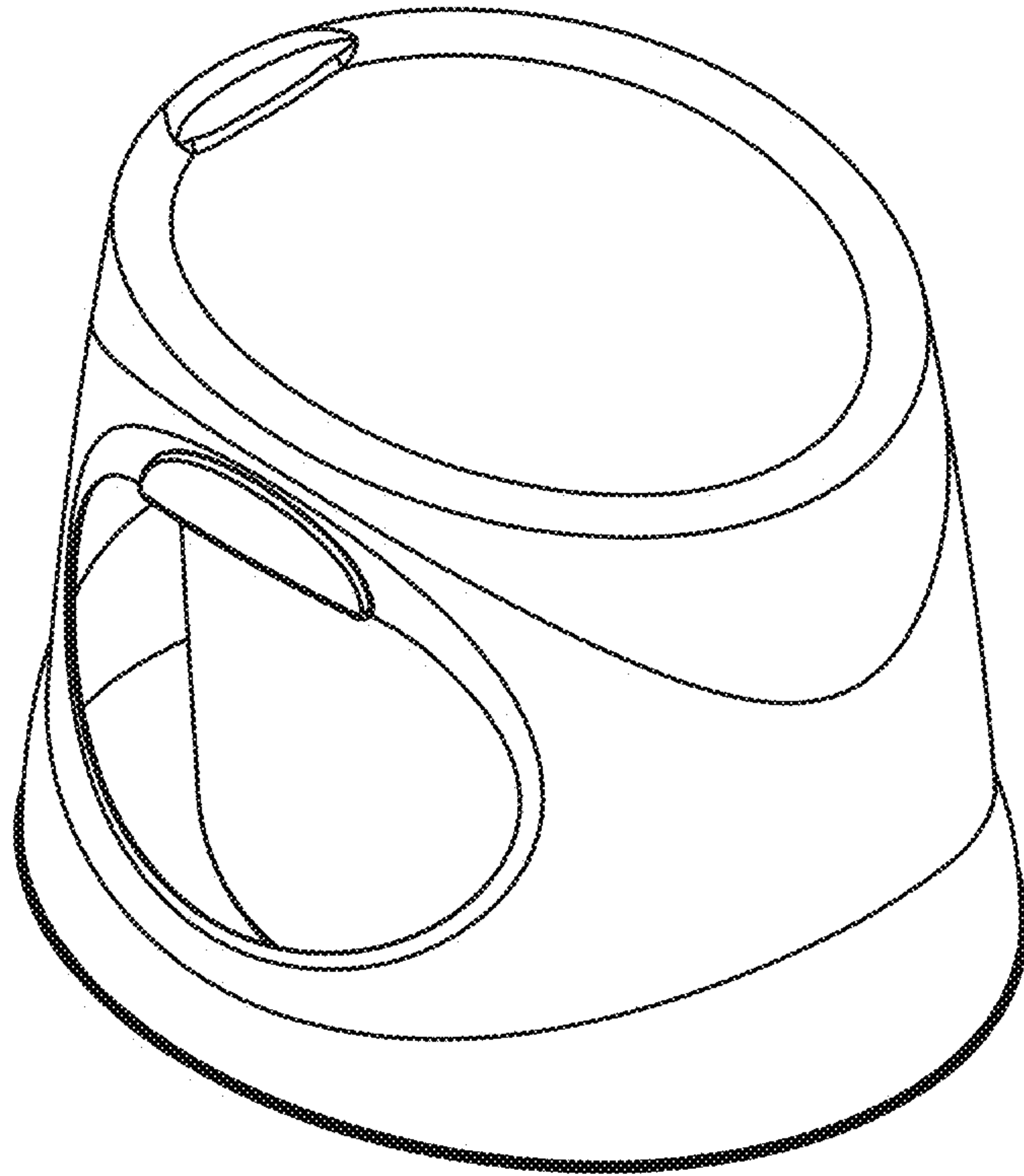


FIG. 1

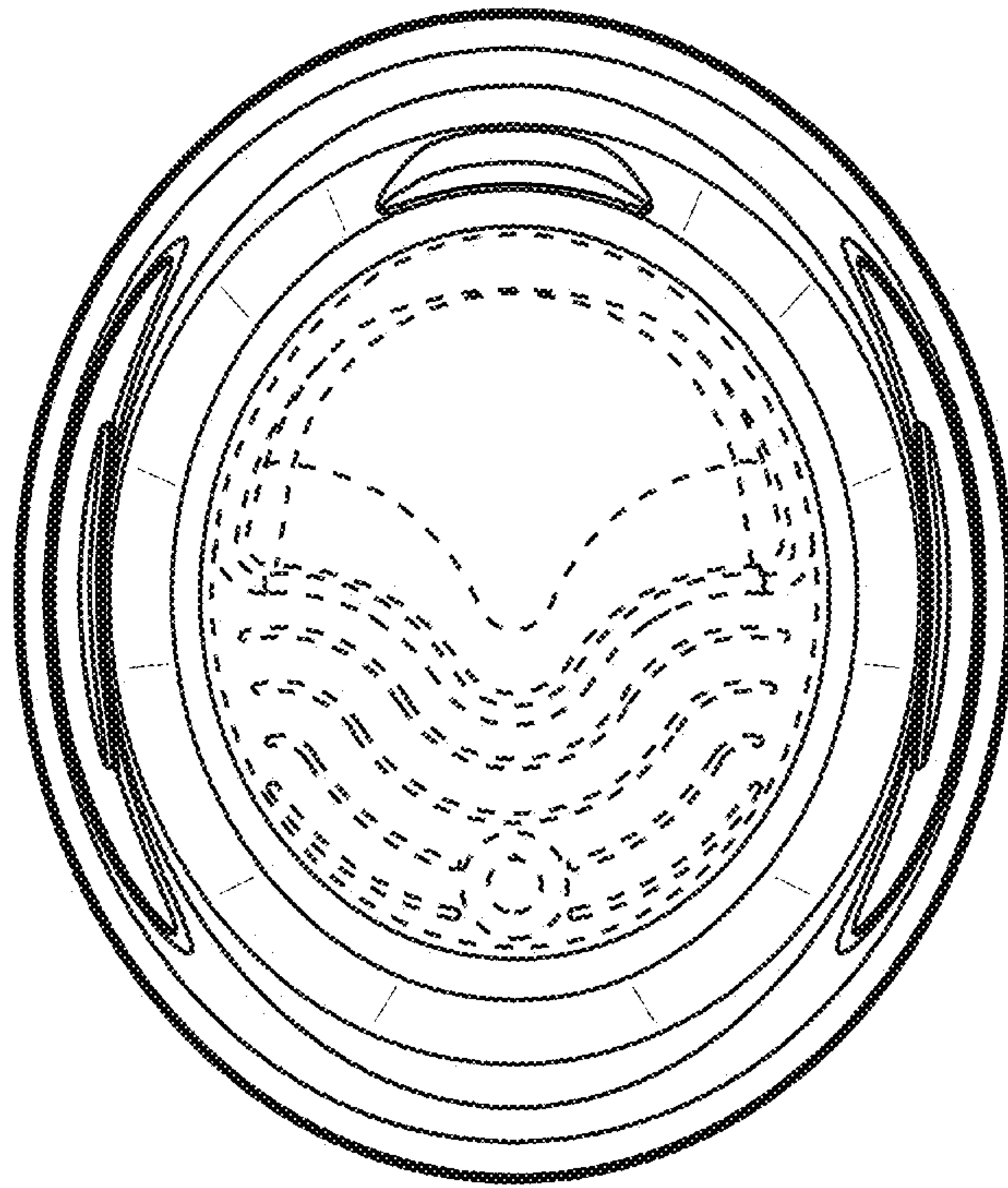


FIG. 2

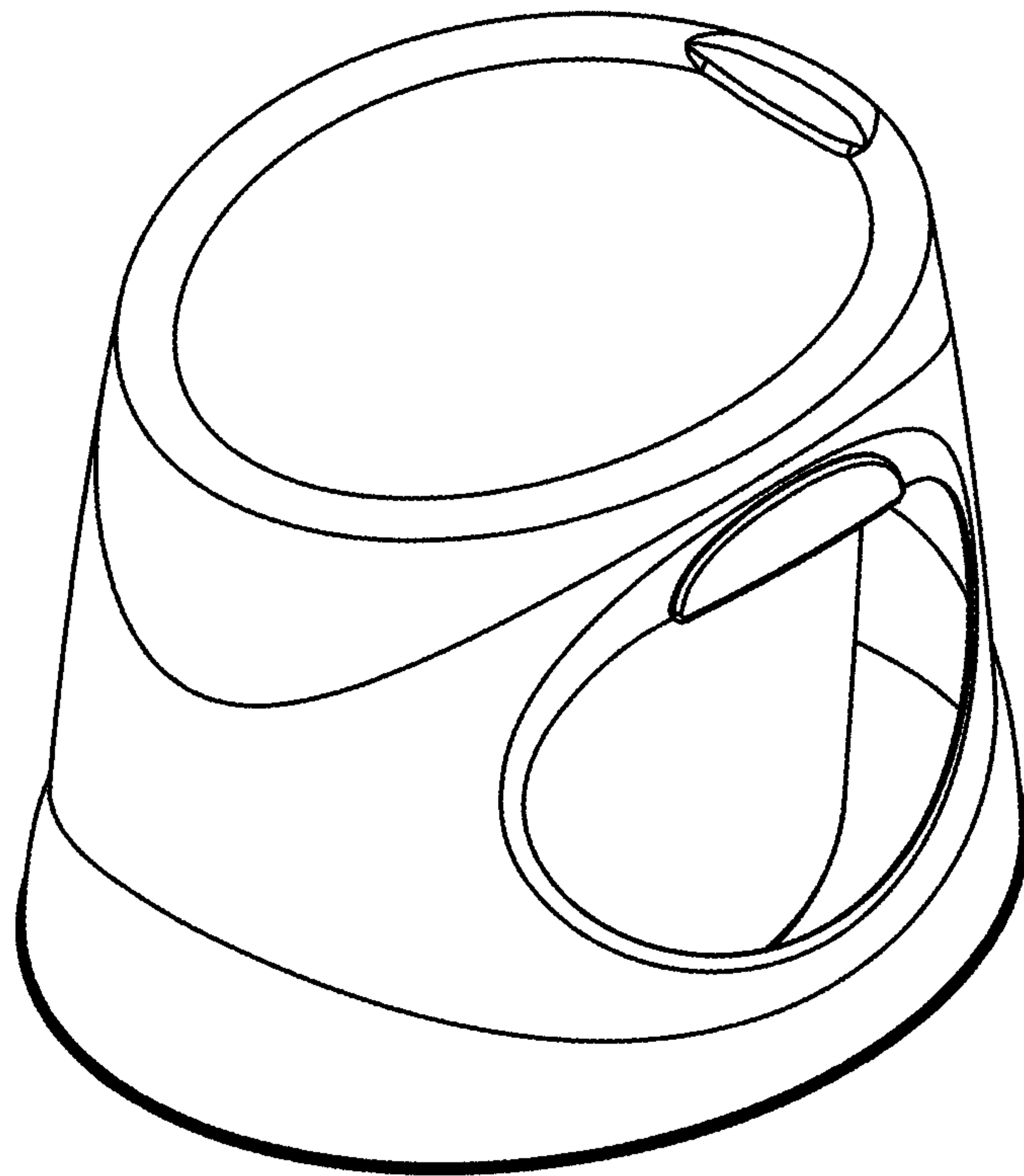


FIG. 3

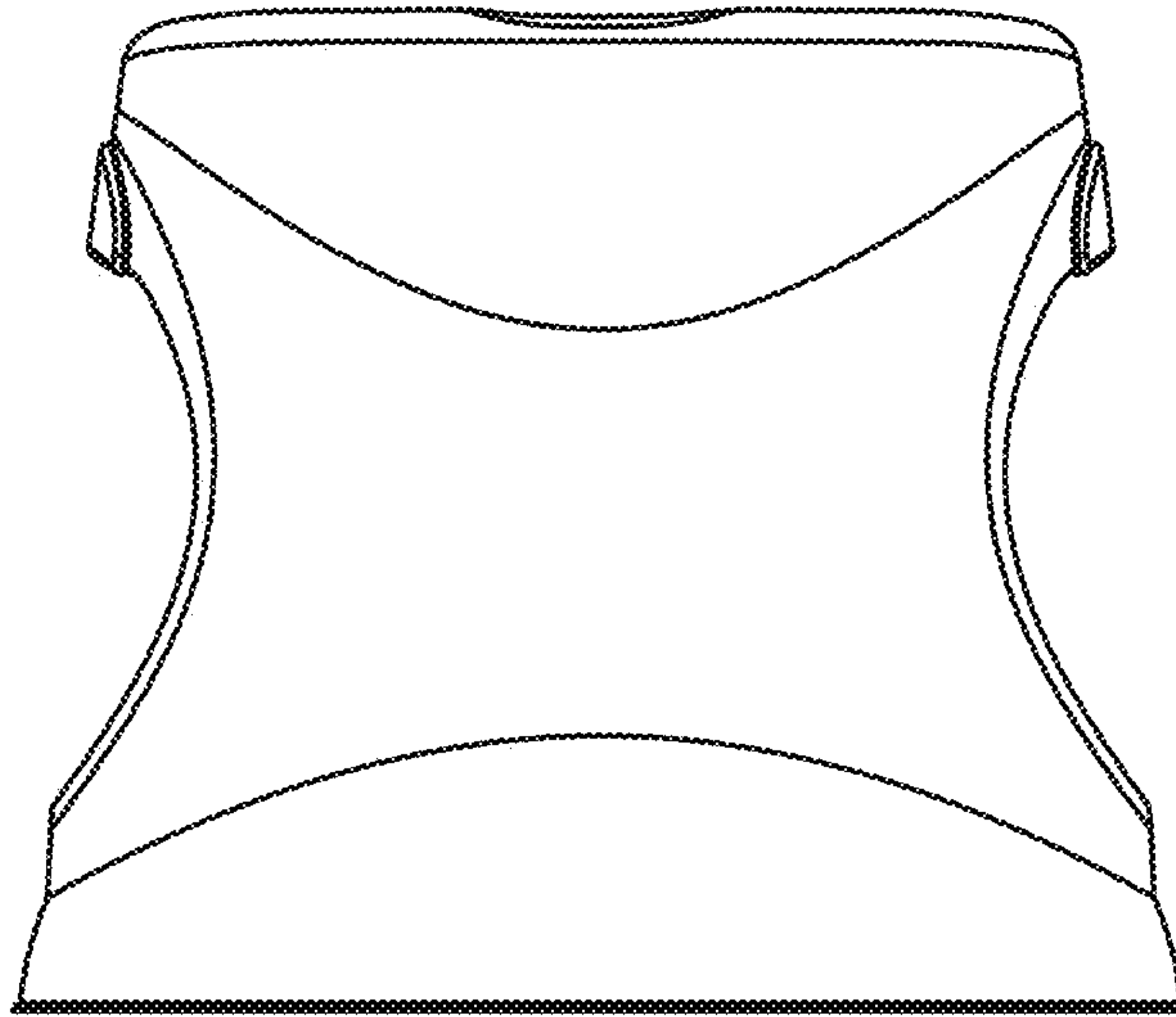


FIG. 4

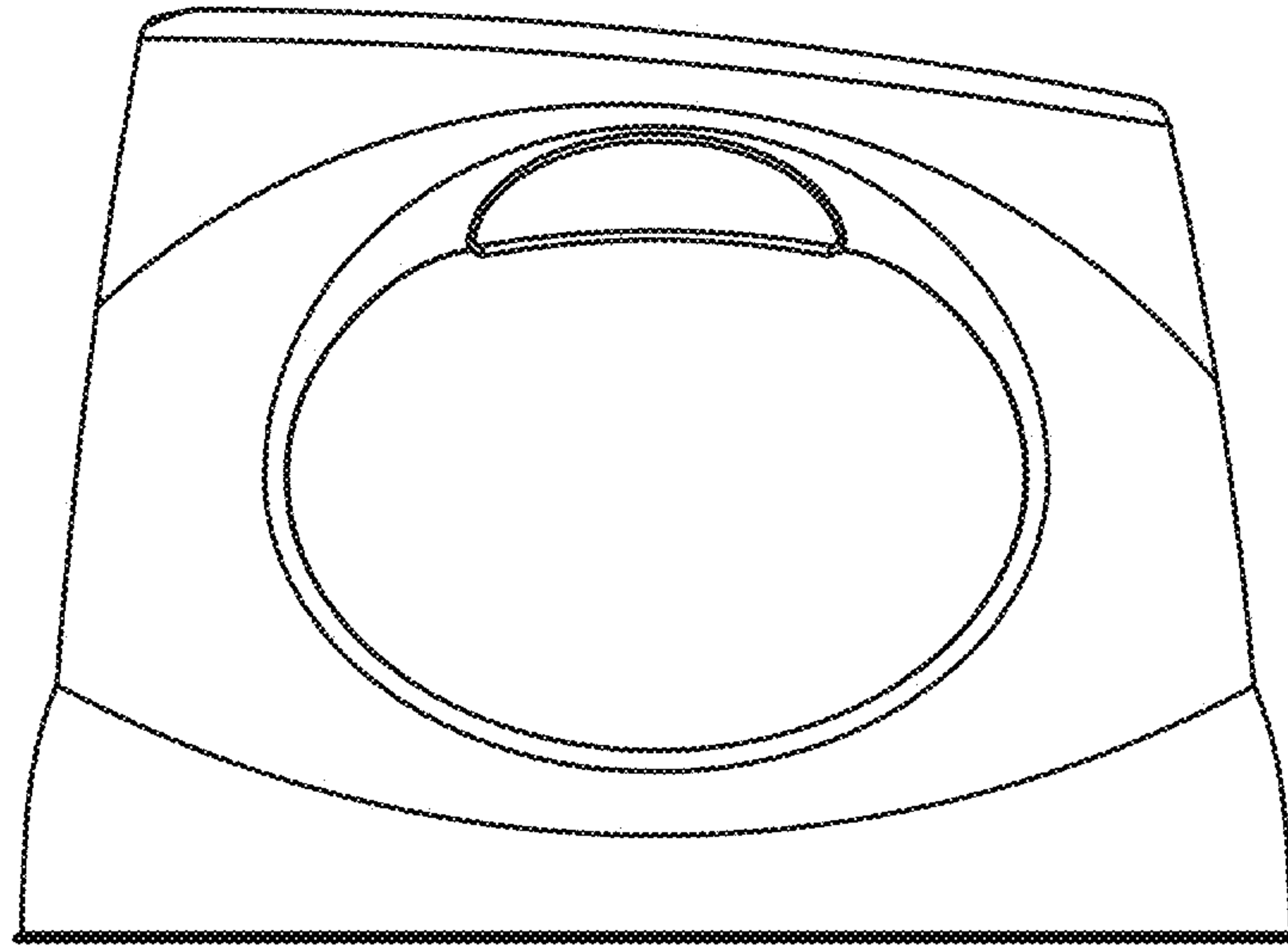


FIG. 5

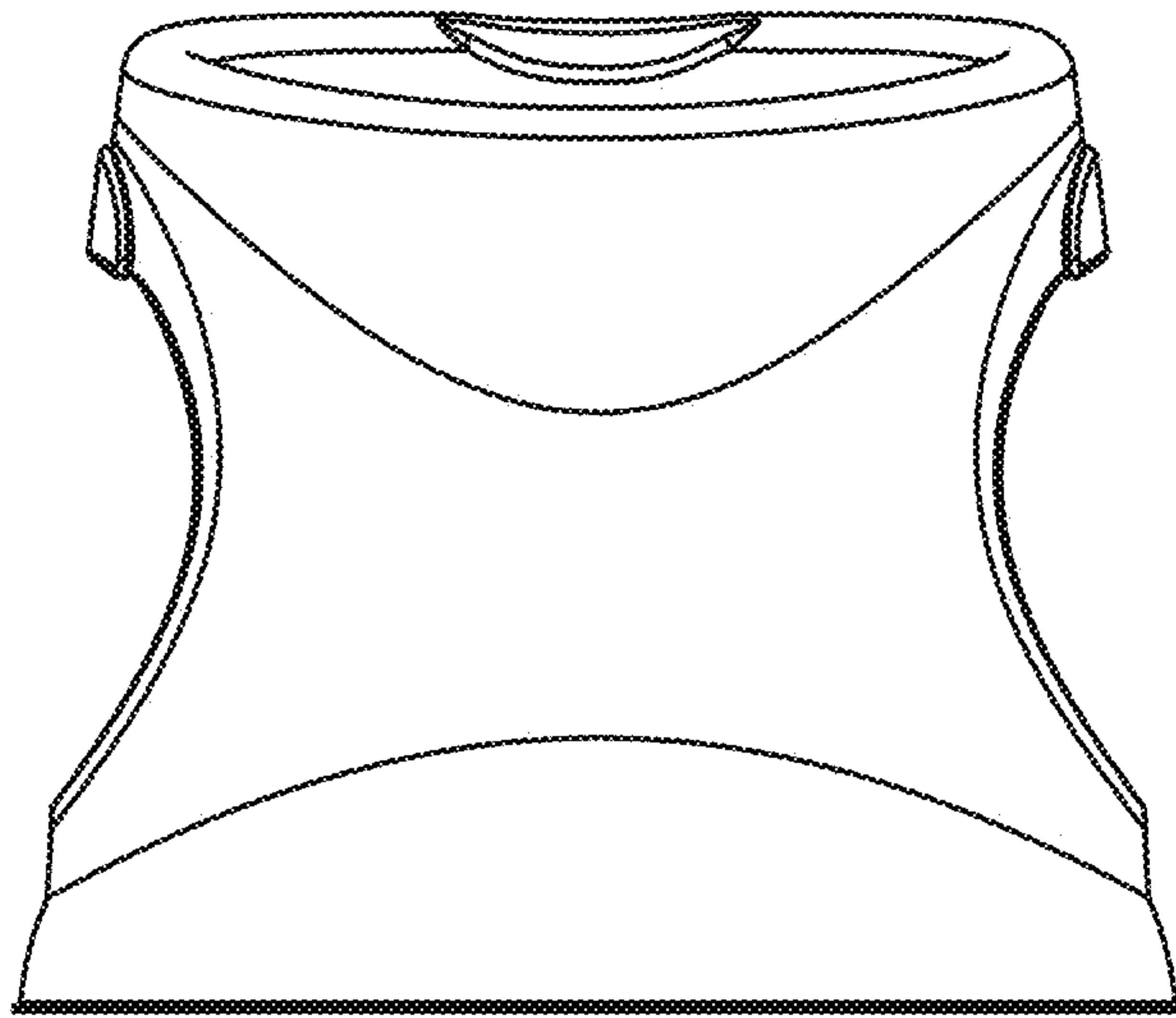


FIG. 6

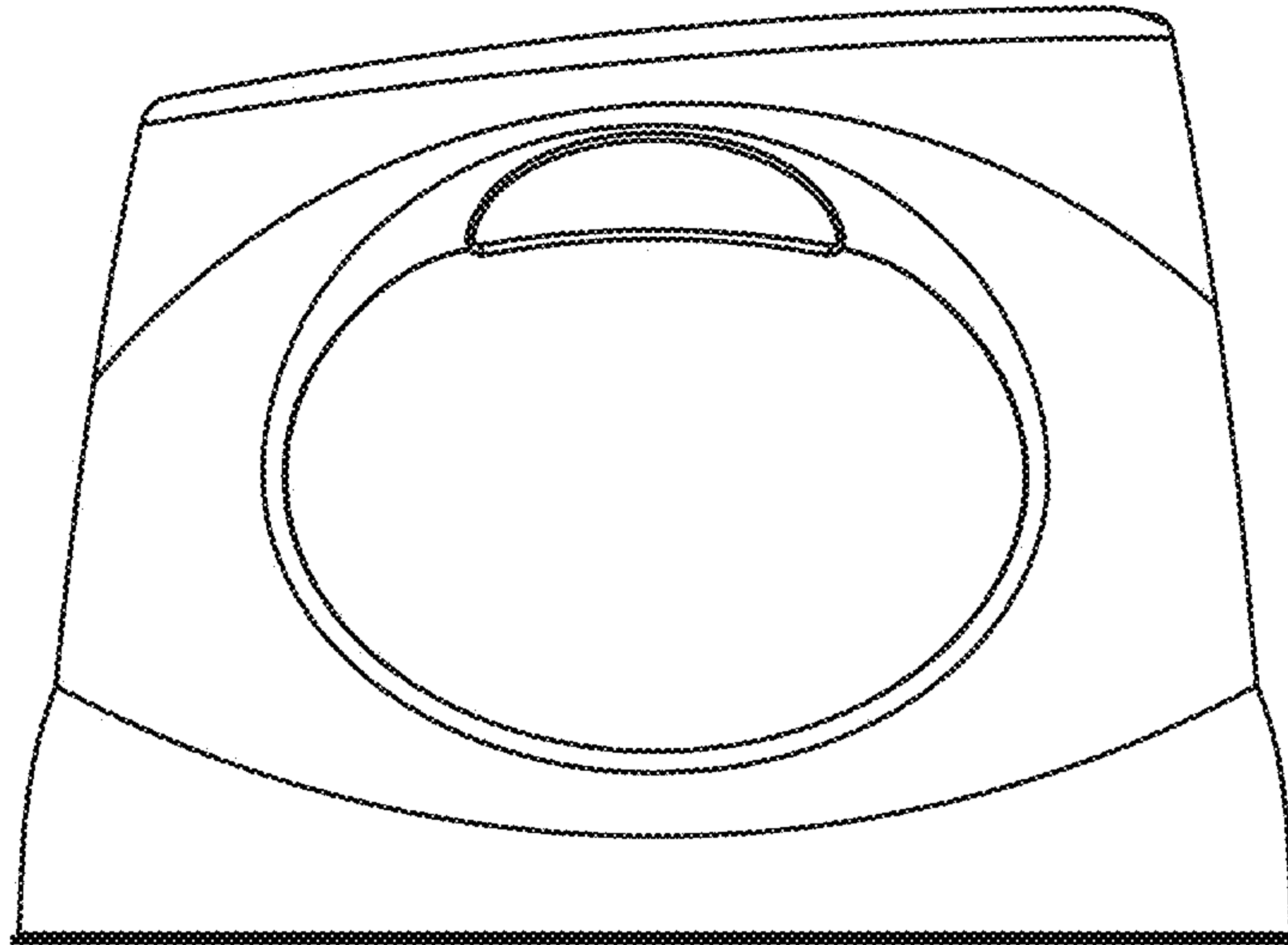


FIG. 7

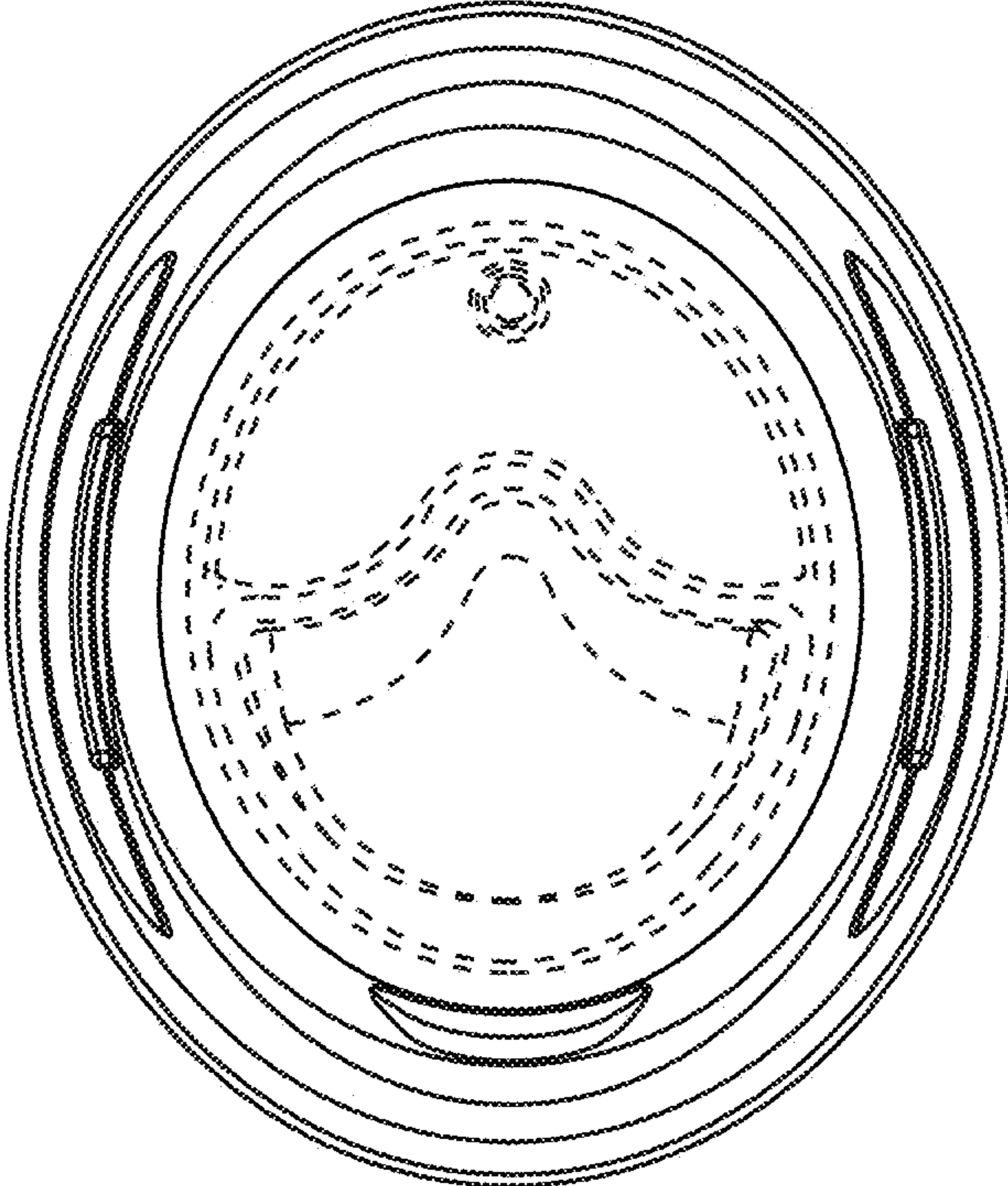


FIG. 8

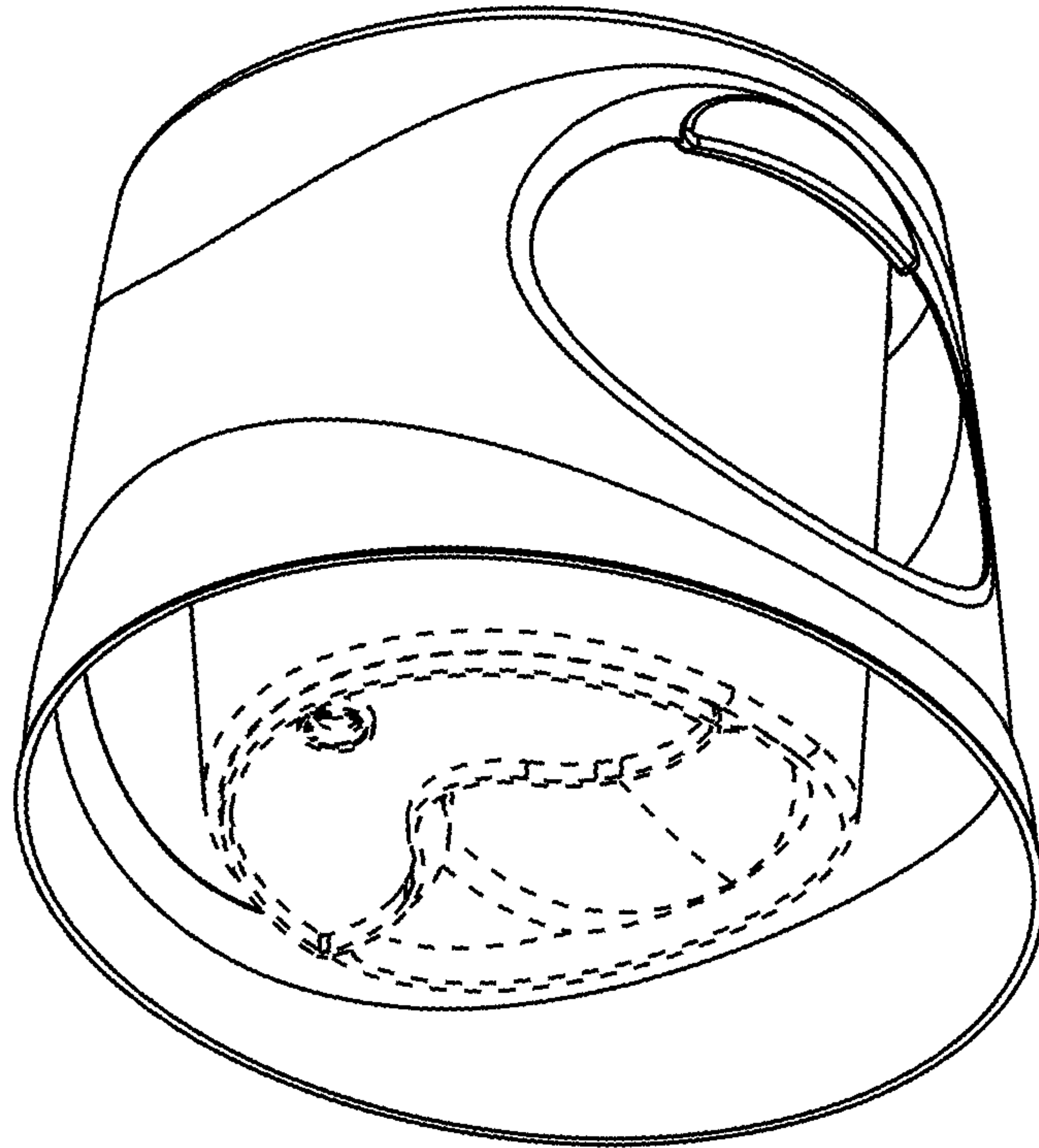


FIG. 9