



US00D918349S

(12) **United States Design Patent** (10) **Patent No.:** **US D918,349 S**
King, Jr. (45) **Date of Patent:** **** May 4, 2021**

(54) **VACUUM HOSE TUBING ADAPTER**

(71) Applicant: **Skitter & Squirt Adventures, LLC**,
Missoula, MT (US)

(72) Inventor: **Jack M. King, Jr.**, Phoenix, AZ (US)

(73) Assignee: **Skitter & Squirt Adventures, LLC**,
Missoula, MT (US)

(**) Term: **15 Years**

(21) Appl. No.: **29/688,210**

(22) Filed: **Apr. 18, 2019**

(51) **LOC (13) Cl.** **23-01**

(52) **U.S. Cl.**
USPC **D23/263; D32/32**

(58) **Field of Classification Search**
USPC D32/31, 32, 33, 34, 50; D9/435;
D23/259, 261, 262, 263, 266; D13/110
CPC . Y10T 428/139; F16L 9/02; F16L 9/14; F16L
19/041; F16L 21/08; F16L 37/252; F16L
41/007; F16L 43/001; F16L 41/021; F16L
25/14; F16L 17/32; F16B 7/0426; F16B
11/00; F16B 11/008; E03C 1/26; E03C
1/262; E03C 1/28; E03C 1/284; E03F
5/04; A61B 5/00; A61M 25/09016; H02G
3/06

See application file for complete search history.

(56) **References Cited**

U.S. PATENT DOCUMENTS

- D343,889 S * 2/1994 Stonecypher D23/263
- D348,723 S * 7/1994 Carroll D23/263
- D402,013 S * 12/1998 Saffrey D23/263
- D417,534 S * 12/1999 Holston D32/31
- D431,634 S * 10/2000 Mantz D23/263
- D480,786 S * 10/2003 Wilk, Jr. D23/263
- D481,109 S * 10/2003 Dole D23/263
- D481,110 S * 10/2003 Snyder, Sr. D23/263
- D516,686 S * 3/2006 Wilk, Jr. D23/262

- D532,947 S * 11/2006 Muscarella D32/31
- D630,305 S * 1/2011 Adams D23/259
- D656,225 S * 3/2012 Dole D23/263
- D676,620 S * 2/2013 Lindom D32/31
- D676,942 S * 2/2013 Kluss D23/262
- D697,279 S * 1/2014 Quinlan D32/50
- D743,511 S * 11/2015 Bednarz D23/263
- D771,779 S * 11/2016 Scifres D23/263

(Continued)

OTHER PUBLICATIONS

<https://www.zoro.com/dynabrade-hose-cuff-34-thread-to-34-non-thread-95601/i/G3535198/?q=DYNABRADE%2095601> (Year: 2020).*

(Continued)

Primary Examiner — Michelle E. Wilson
Assistant Examiner — Richard E Yenchesky

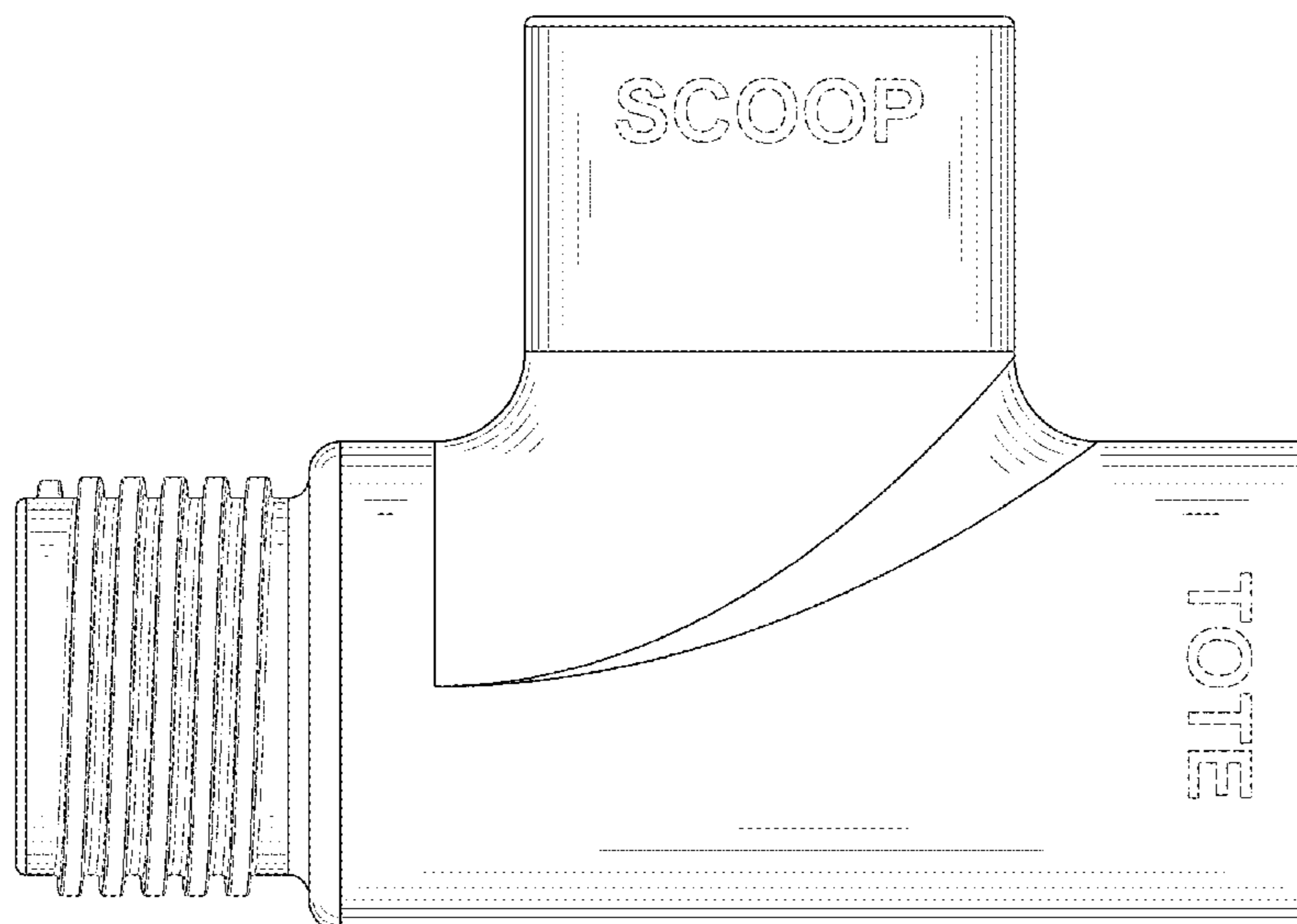
(57) **CLAIM**

The ornamental design for a vacuum hose tubing adapter, as shown.

DESCRIPTION

FIG. 1 is a front view depicting a vacuum hose tubing adapter.
 FIG. 2 is a top view depicting the vacuum hose tubing adapter.
 FIG. 3 is a left side view depicting the vacuum hose tubing adapter.
 FIG. 4 is a right side view depicting the vacuum hose tubing adapter.
 FIG. 5 is a bottom view depicting the vacuum hose tubing adapter.
 FIG. 6 is a rear view depicting the vacuum hose tubing adapter.
 FIG. 7 is a front perspective view depicting the vacuum hose tubing adapter; and,
 FIG. 8 is a rear perspective view depicting the vacuum hose tubing adapter.

1 Claim, 5 Drawing Sheets



(56)

References Cited

U.S. PATENT DOCUMENTS

D772,384 S * 11/2016 Schulze D23/266
D776,797 S * 1/2017 Bednarz D23/263
D812,331 S * 3/2018 LaBarbera D32/31
D877,864 S * 3/2020 Kowalchuk D23/261
D886,060 S * 6/2020 Liedhegner D13/110
D886,246 S * 6/2020 Wilson D23/259
D887,836 S * 6/2020 Westcott-Pocock D9/435

OTHER PUBLICATIONS

<https://pstpoolsupplies.com/1-1-2-mpt-x-1-1-4-smooth-hose-elbow/> (Year: 2020).*

* cited by examiner

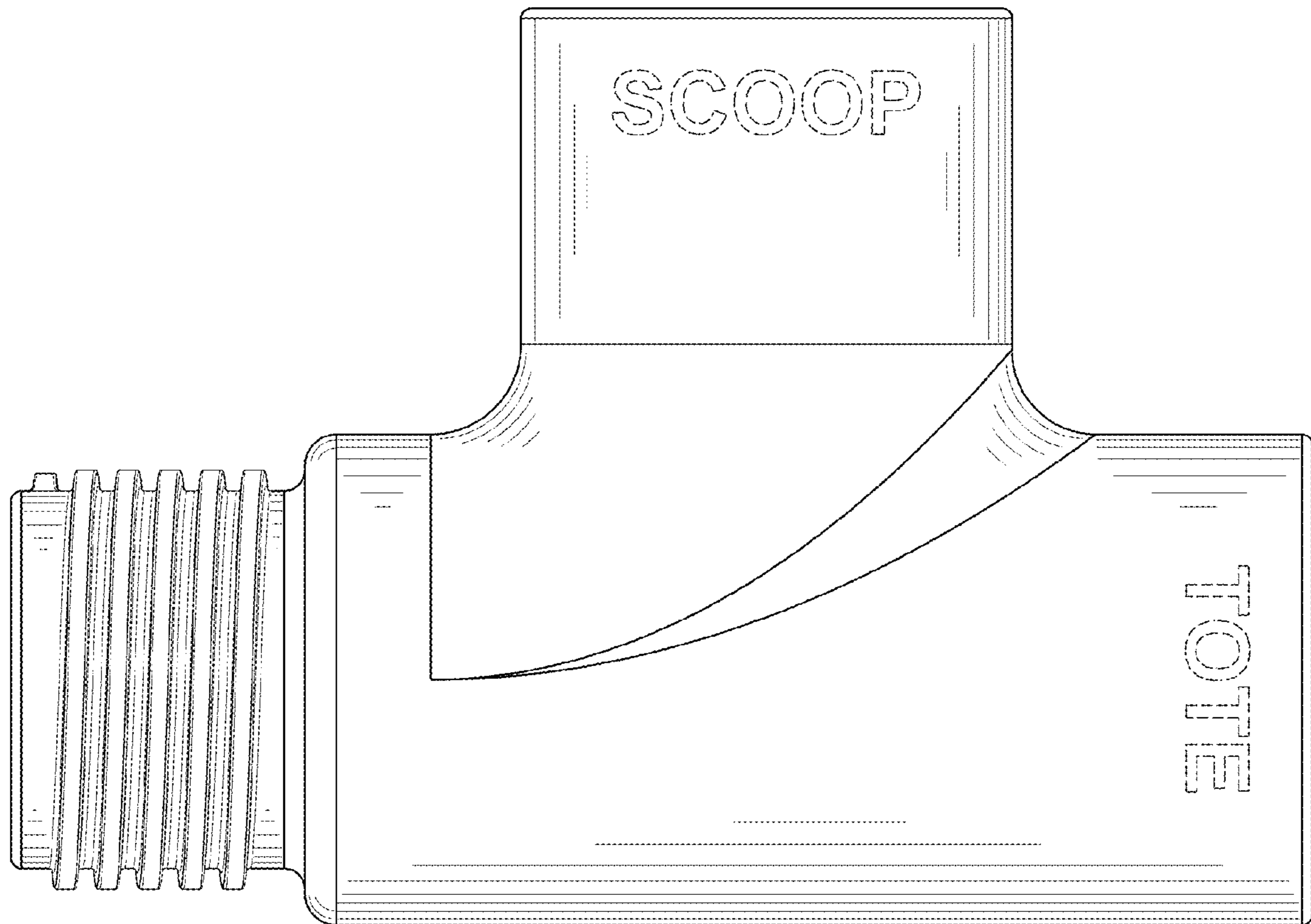


FIG. 1

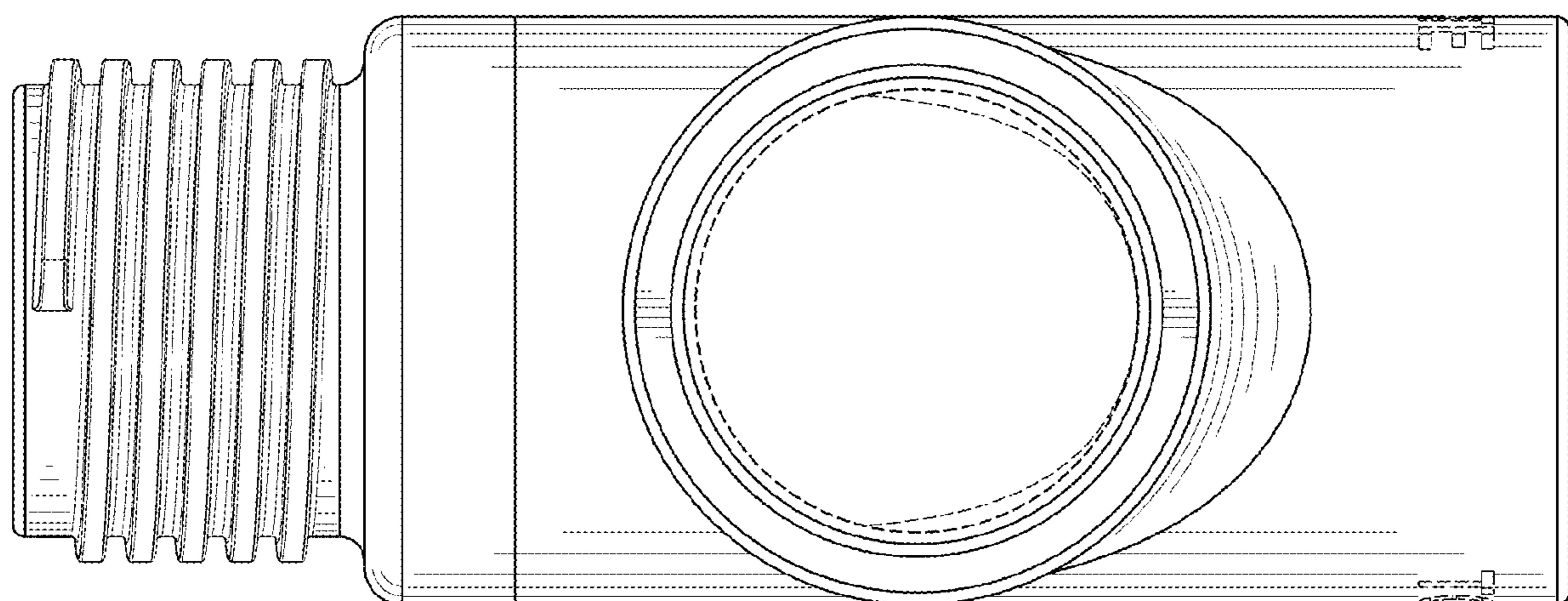


FIG. 2

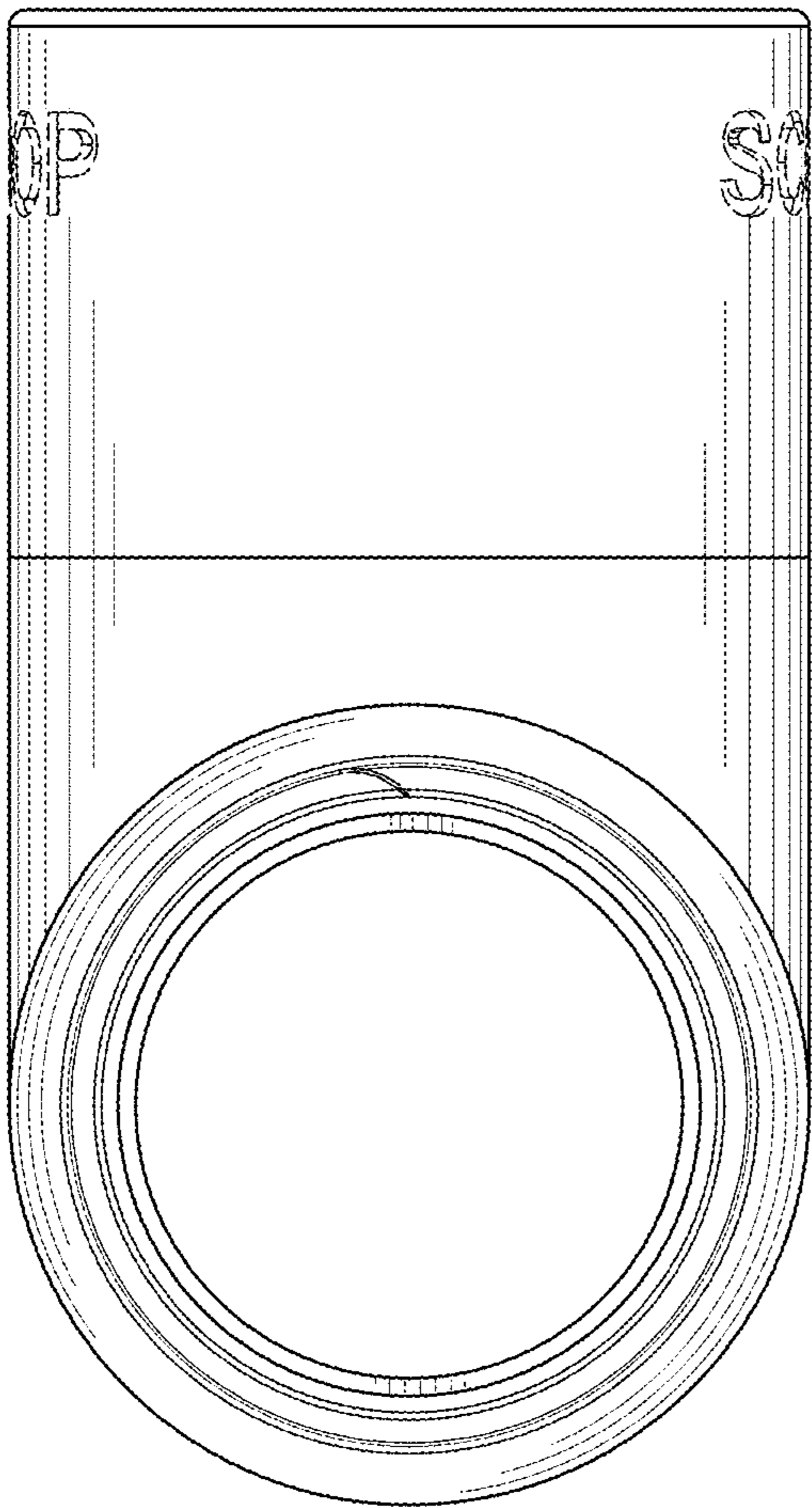


FIG. 3

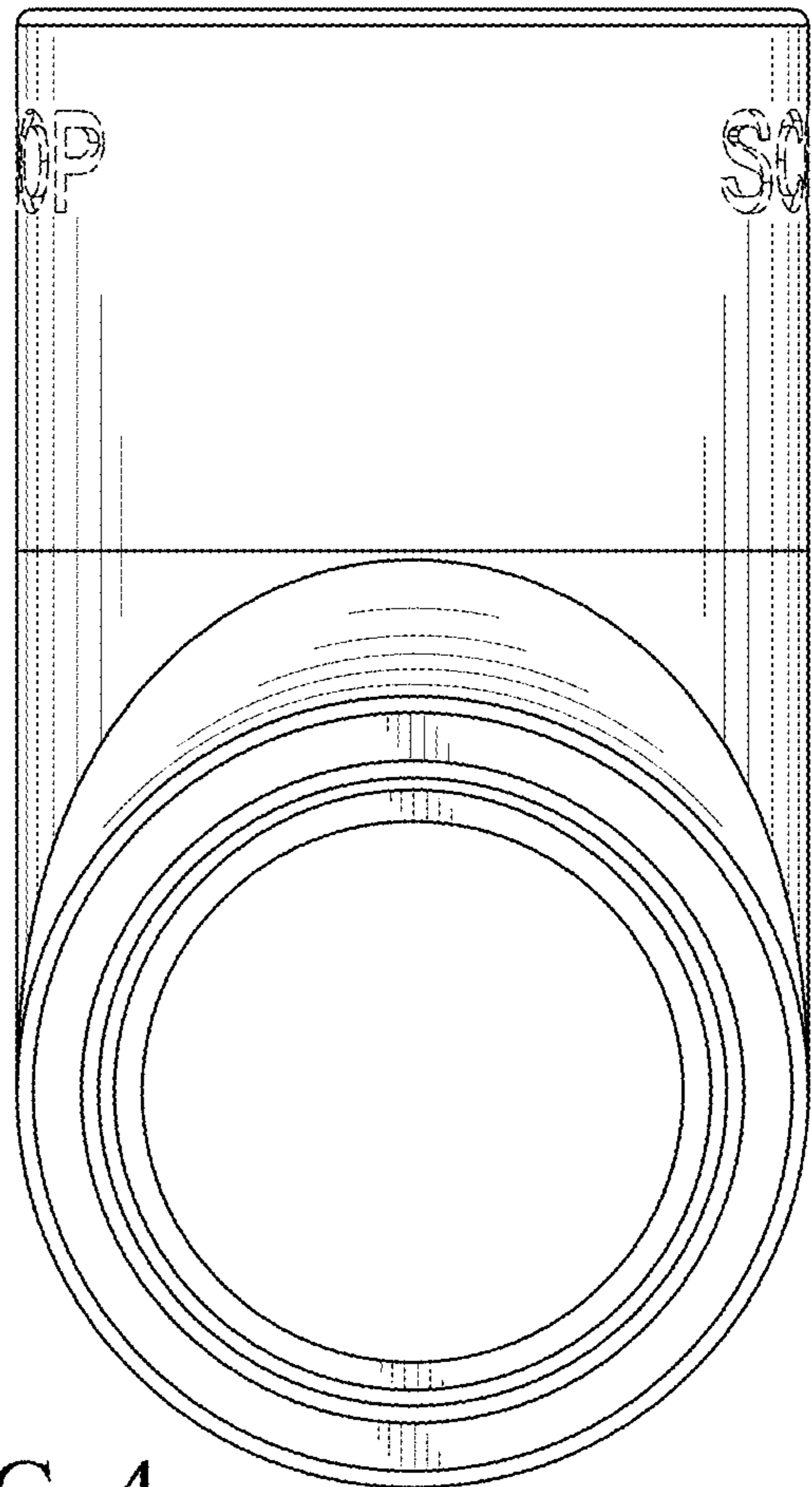


FIG. 4

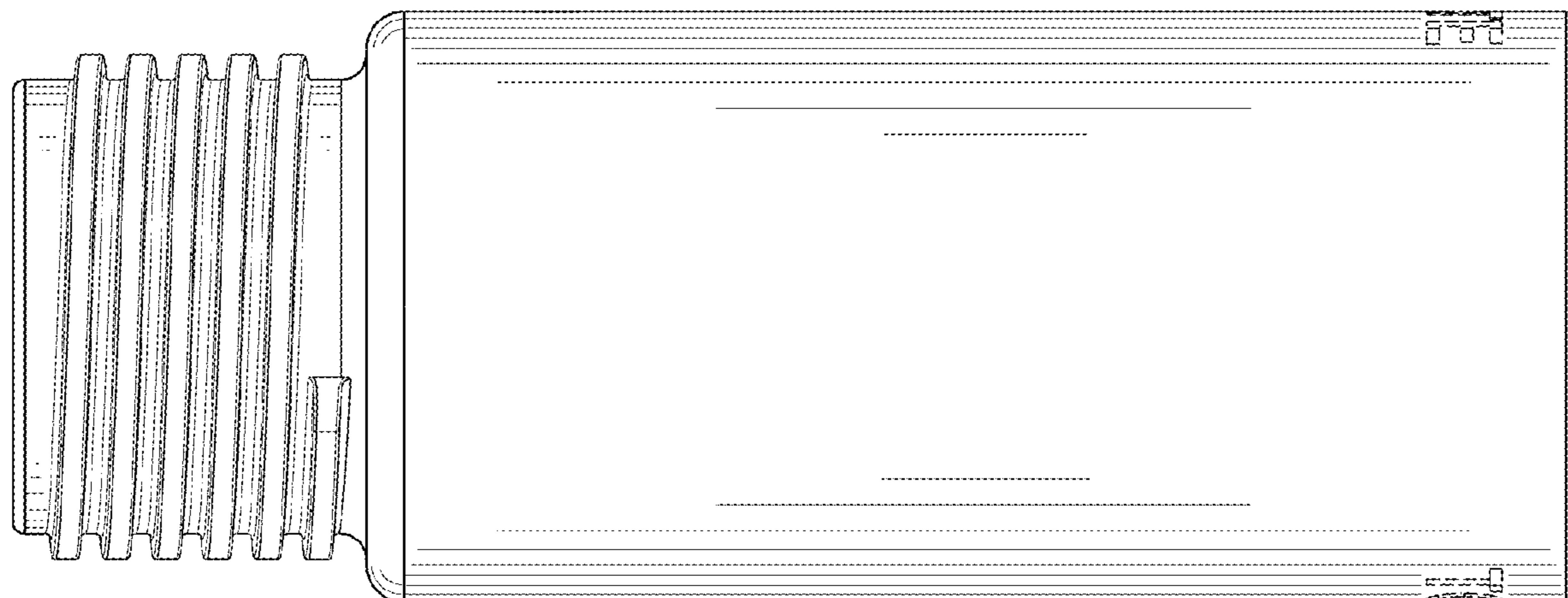


FIG. 5

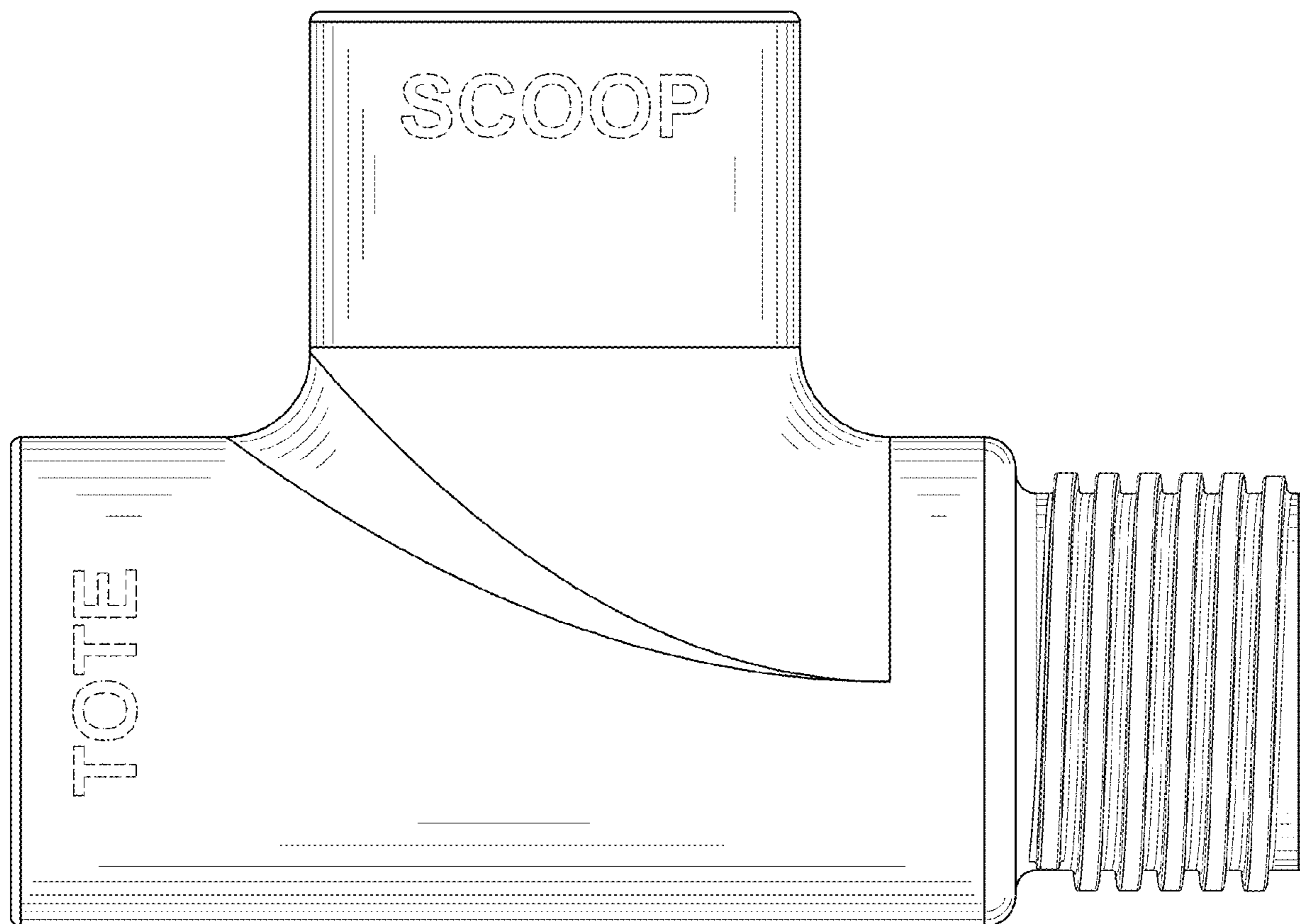


FIG. 6

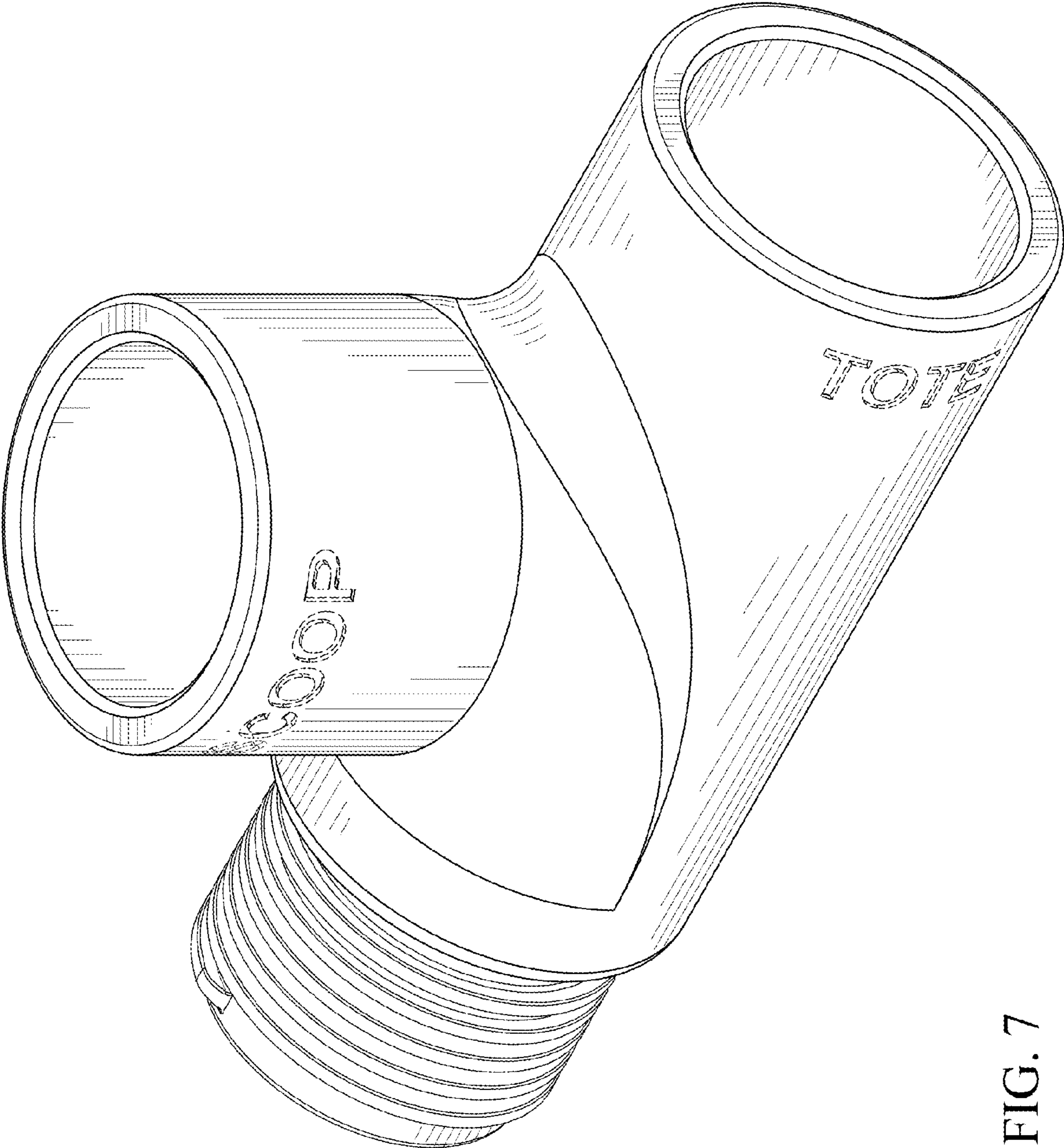


FIG. 7

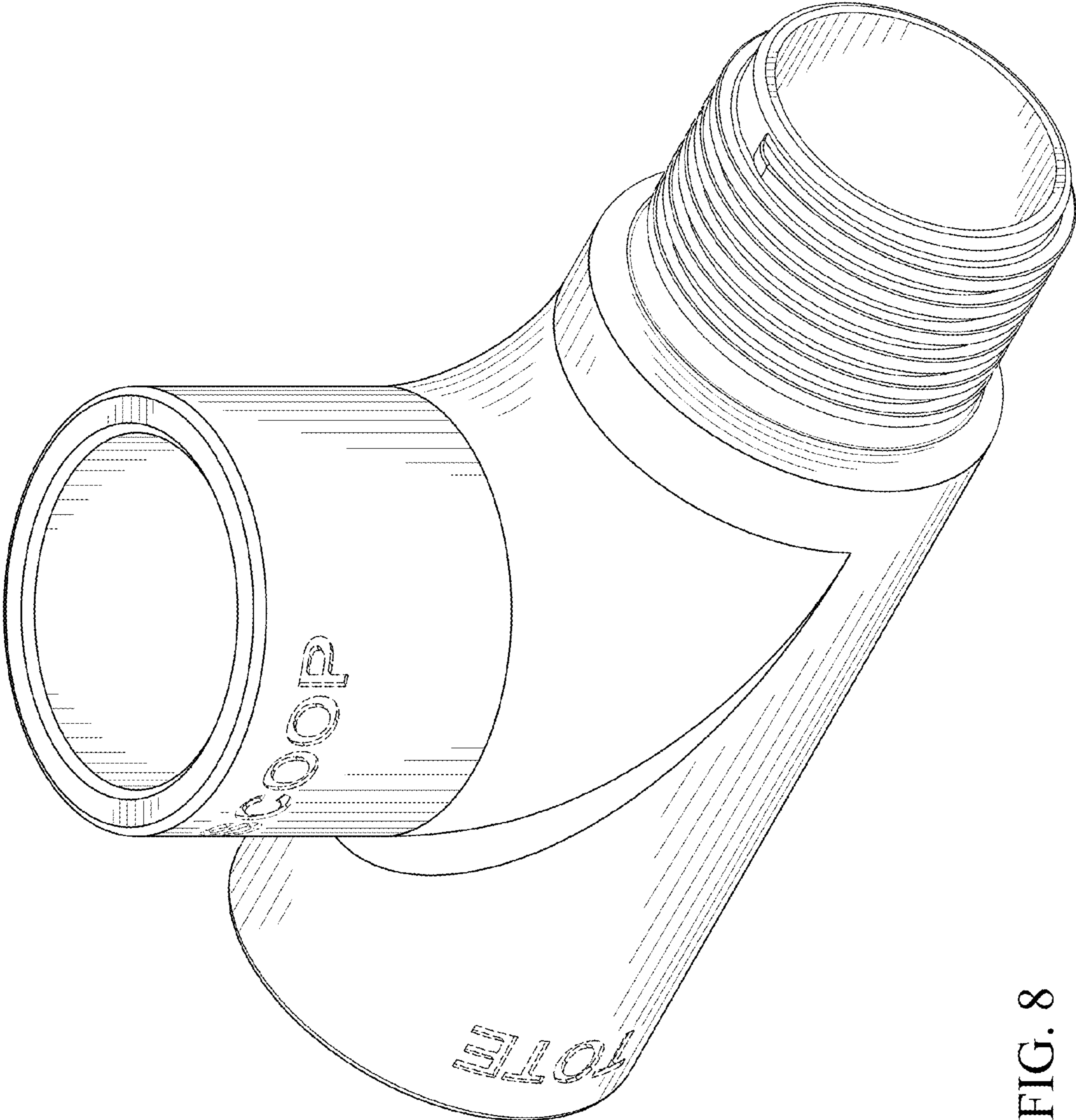


FIG. 8