



US00D918348S

(12) **United States Design Patent** (10) **Patent No.:** **US D918,348 S**  
**Hodkin** (45) **Date of Patent:** **\*\* May 4, 2021**

(54) **WATER AND GAS SUPPLY MOUNT**

(71) Applicant: **Michael Hodkin**, Auburn, CA (US)

(72) Inventor: **Michael Hodkin**, Auburn, CA (US)

(\*\*) Term: **15 Years**

(21) Appl. No.: **29/679,187**

(22) Filed: **Feb. 2, 2019**

(51) **LOC (13) Cl.** ..... **23-01**

(52) **U.S. Cl.**  
USPC ..... **D23/259**

(58) **Field of Classification Search**  
USPC ..... D23/206, 233-235, 259, 288, 322;  
D32/1, 3, 5-6; 137/15.17, 360-362, 388;  
D15/5

CPC ..... D06F 58/20  
See application file for complete search history.

(56) **References Cited**

**U.S. PATENT DOCUMENTS**

- 3,718,154 A \* 2/1973 Doumany ..... E03C 1/00  
137/360
- 3,831,624 A \* 8/1974 Doumany ..... F16L 25/10  
137/360
- D320,442 S \* 10/1991 McKay ..... D23/206
- 5,566,708 A \* 10/1996 Hobbs, Jr. .... F16L 19/02  
137/360
- 6,129,109 A \* 10/2000 Humber ..... D06F 39/08  
137/360
- D434,885 S \* 12/2000 Brosher ..... D32/25
- 6,155,286 A \* 12/2000 Geary ..... D06F 39/08  
137/360
- 6,419,102 B1 \* 7/2002 Harpenau ..... D06F 58/20  
137/360

- D596,697 S \* 7/2009 Siviter ..... D23/206
- 9,534,363 B2 \* 1/2017 Williams ..... E03C 1/28
- D778,241 S \* 2/2017 Holbrook ..... D13/152
- 2014/0352798 A1 \* 12/2014 Clarke ..... E03C 1/021  
137/15.08
- 2018/0094411 A1 \* 4/2018 O'Neill ..... E03B 7/095

\* cited by examiner

*Primary Examiner* — Amy C Wierenga

(74) *Attorney, Agent, or Firm* — Quickpatents, LLC;  
Kevin Prince

(57) **CLAIM**

The ornamental design for a water and gas supply mount, as shown and described.

**DESCRIPTION**

FIG. 1 is a front perspective view of a water and gas supply mount showing my new design in a position of use with environment.

FIG. 2 is a front elevational view thereof;

FIG. 3 is a rear elevational view thereof;

FIG. 4 is a left-side elevational view thereof;

FIG. 5 is a right-side elevational view thereof;

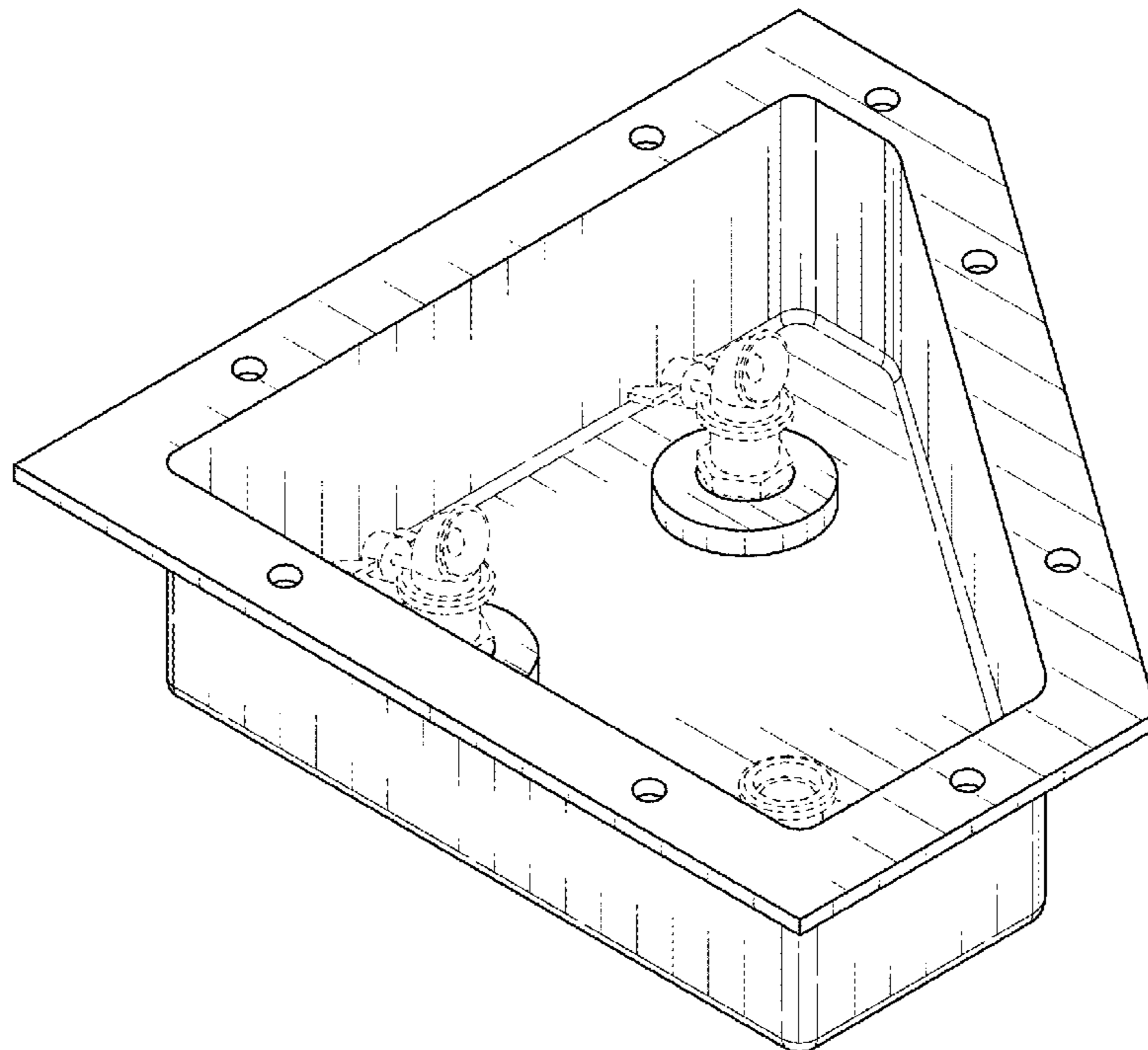
FIG. 6 is a bottom plan view thereof;

FIG. 7 is a top plan view thereof; and,

FIG. 8 is a rear perspective view thereof.

The broken lines showing water and gas supply valves in FIG. 1 depict environmental matter and form no part of the claimed design. The broken lines in FIG. 8 represent portions of the mount that form no part of the claimed design.

**1 Claim, 5 Drawing Sheets**



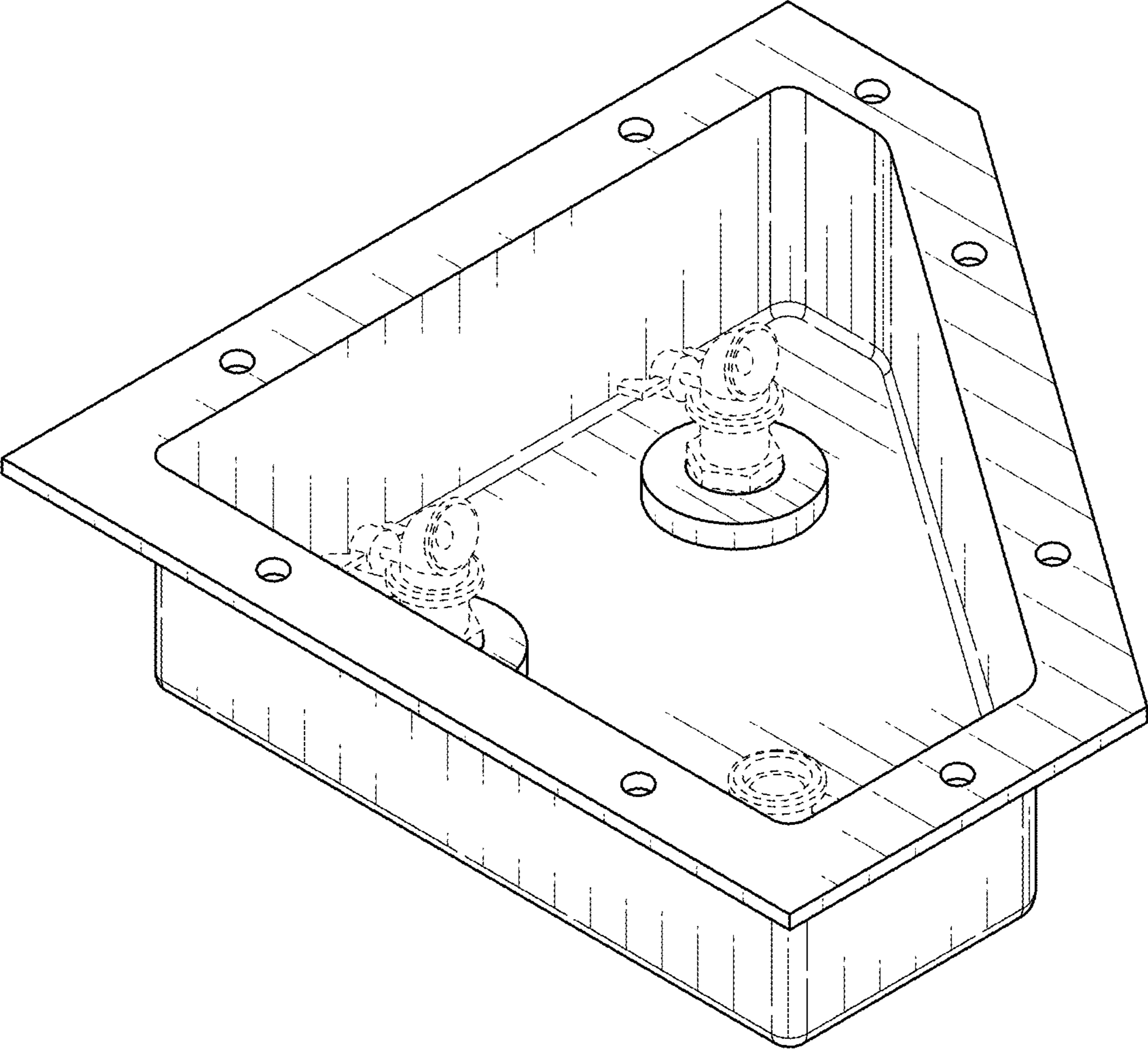


FIG. 1

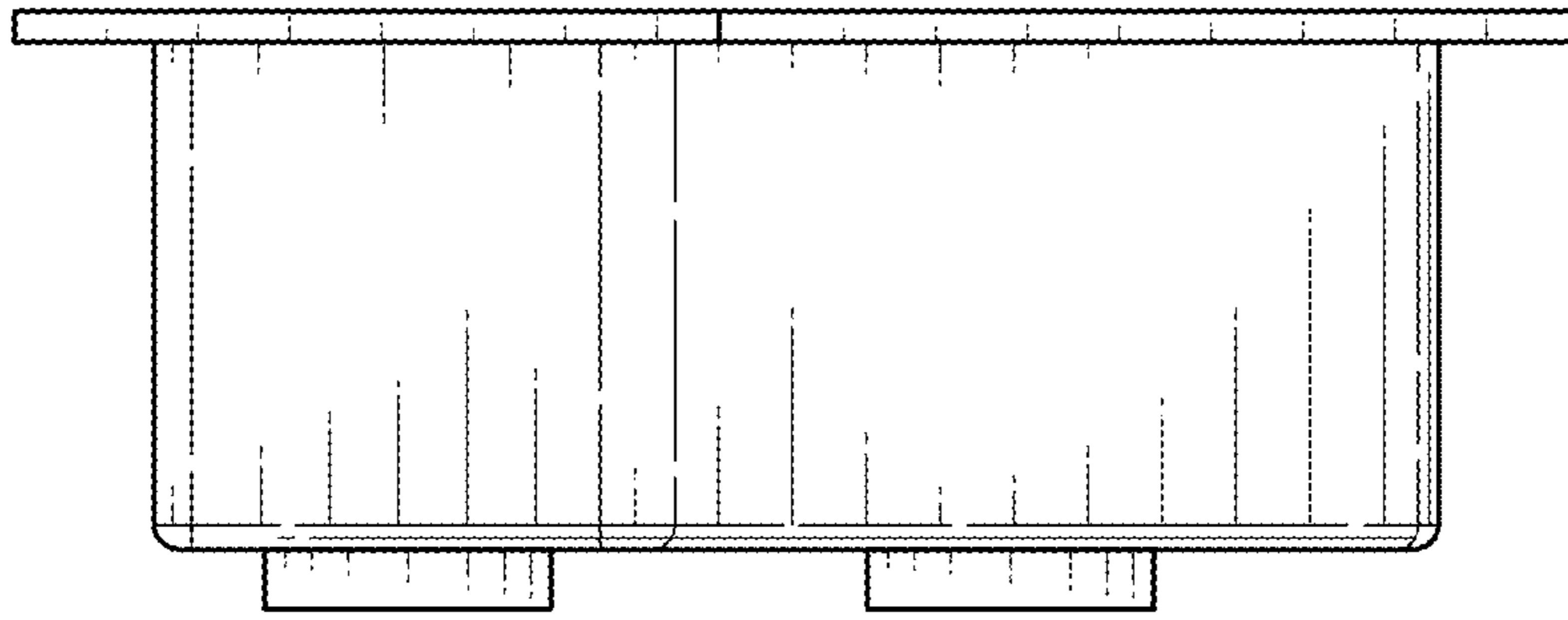


FIG. 2

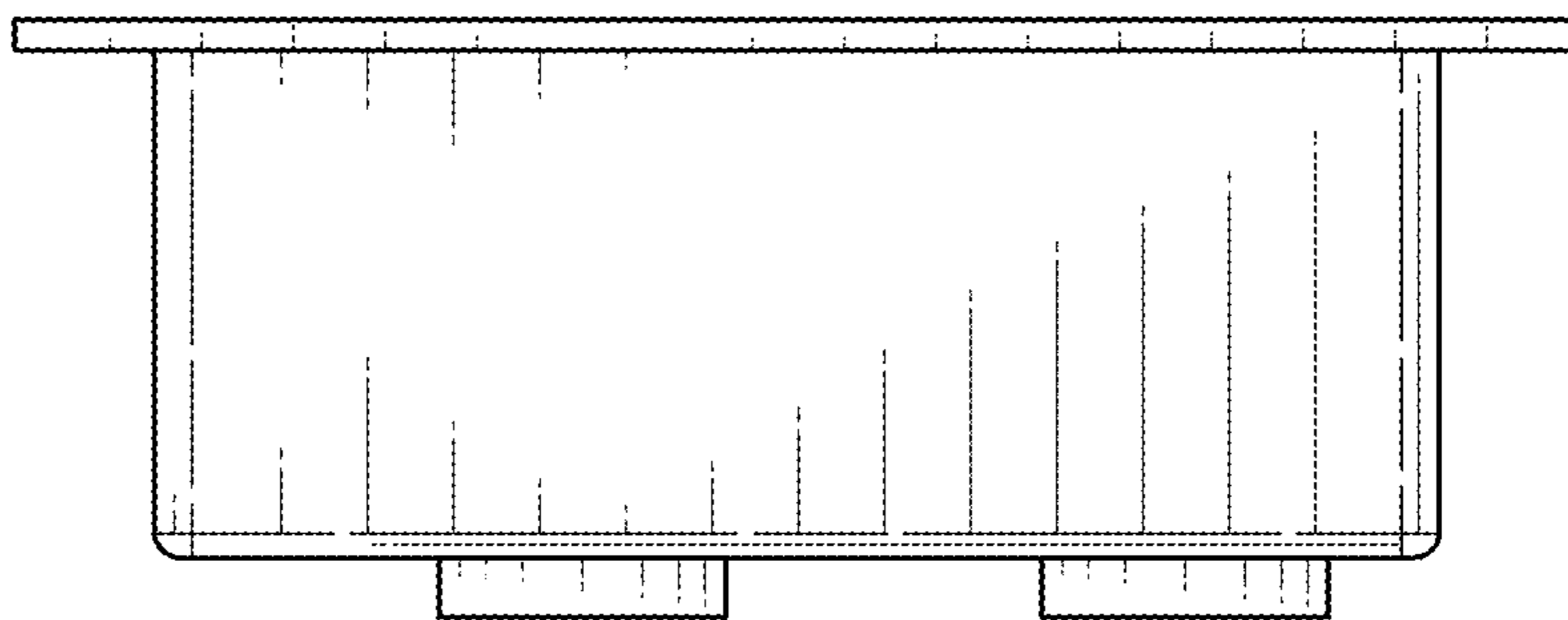


FIG. 3

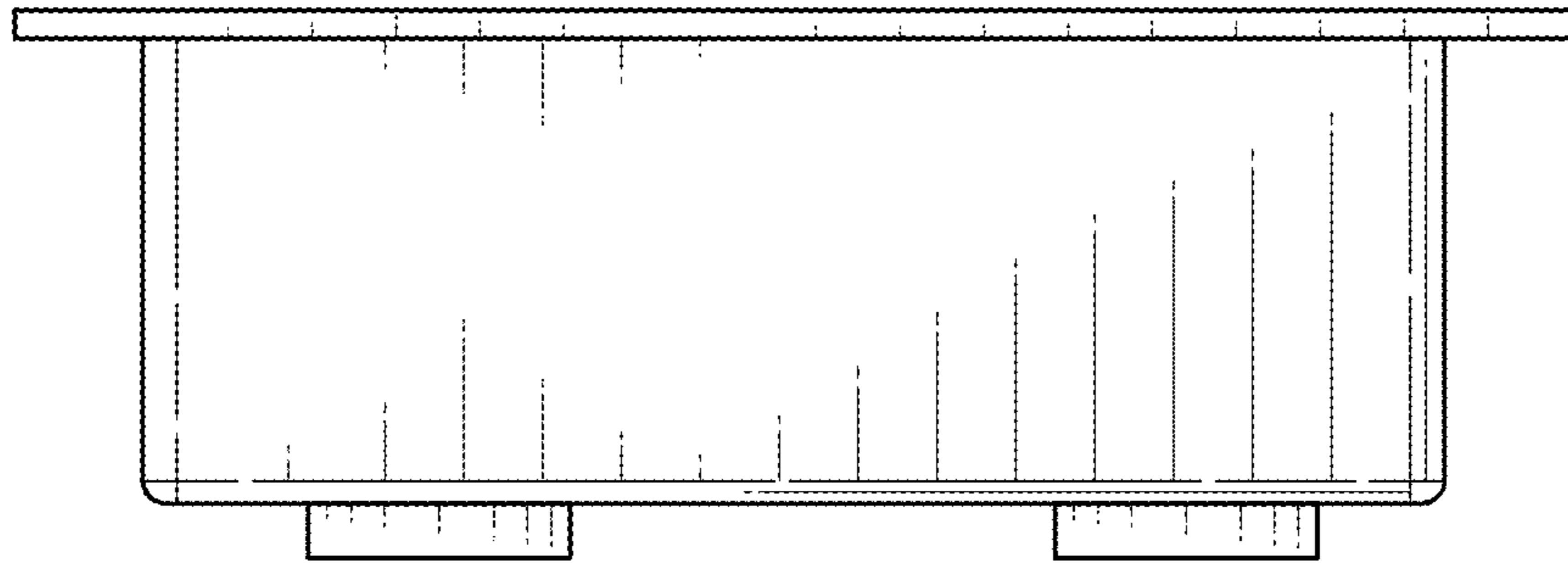


FIG. 4

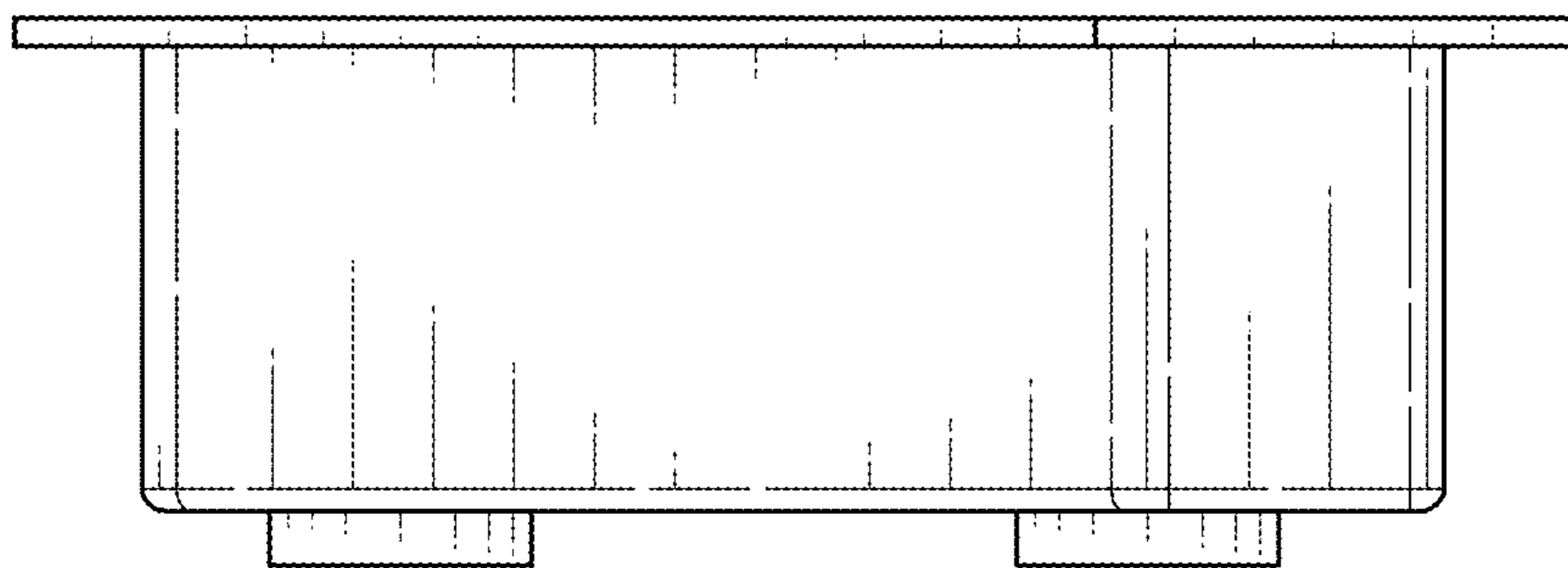


FIG. 5

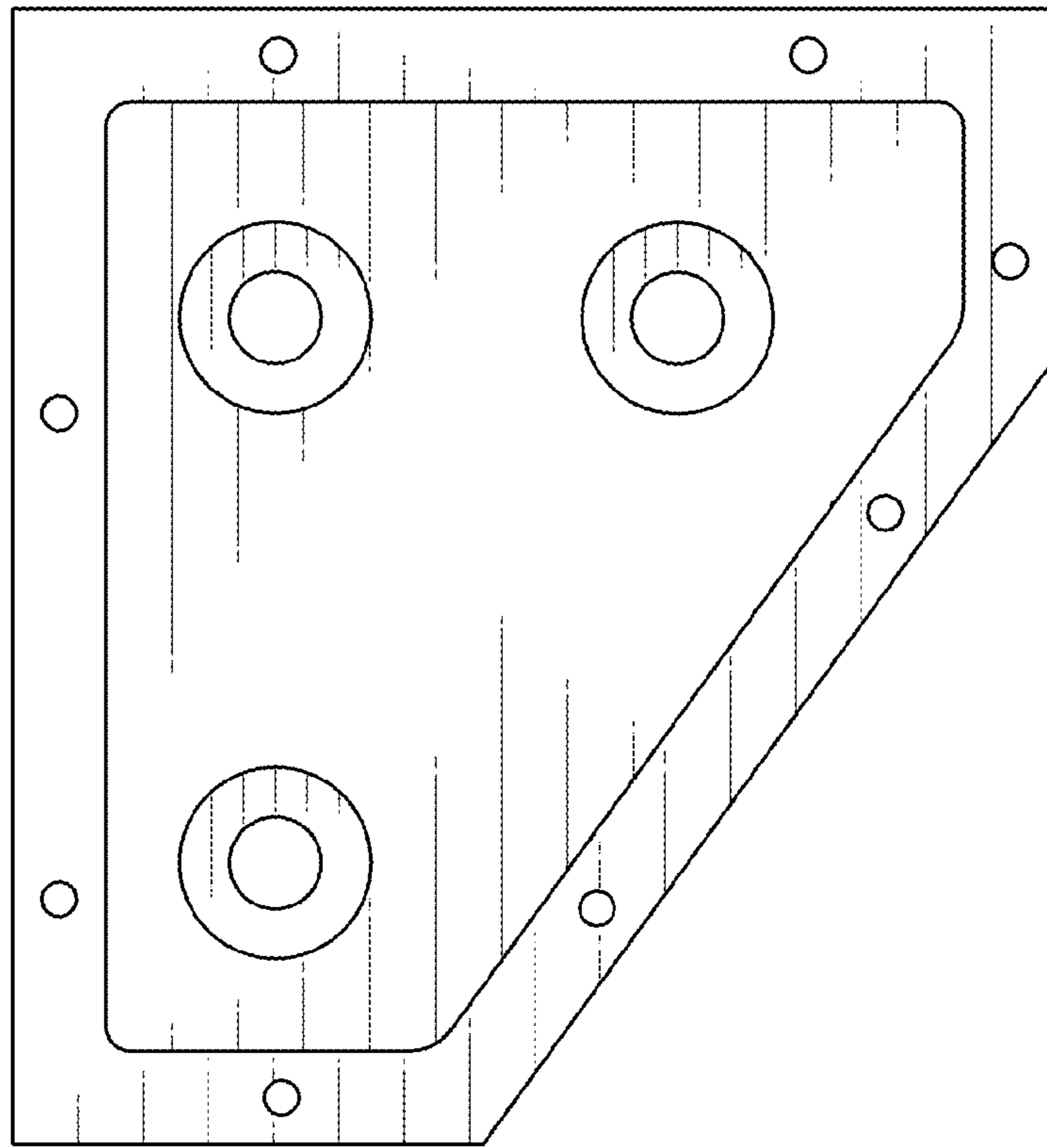


FIG. 6

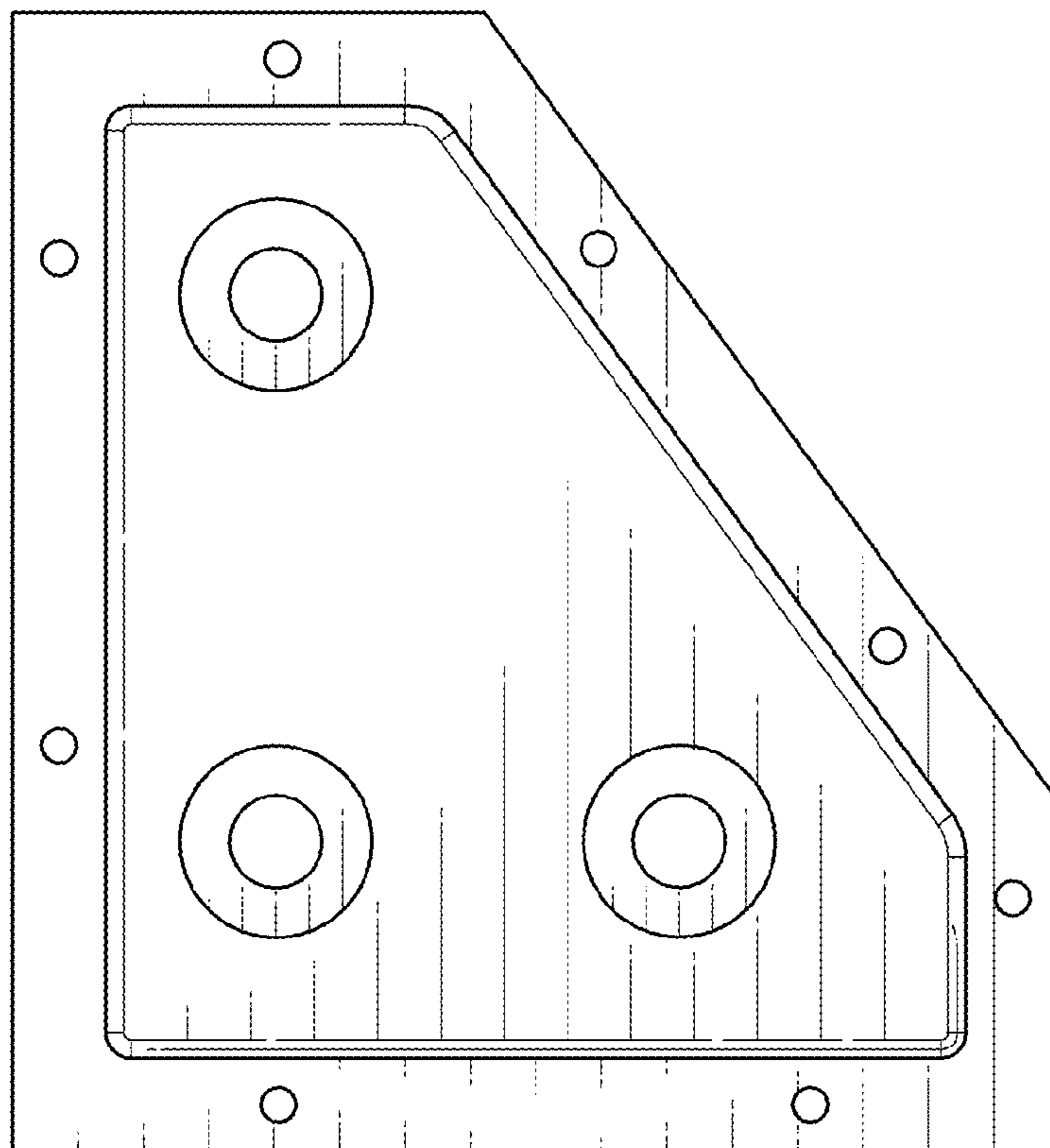


FIG. 7

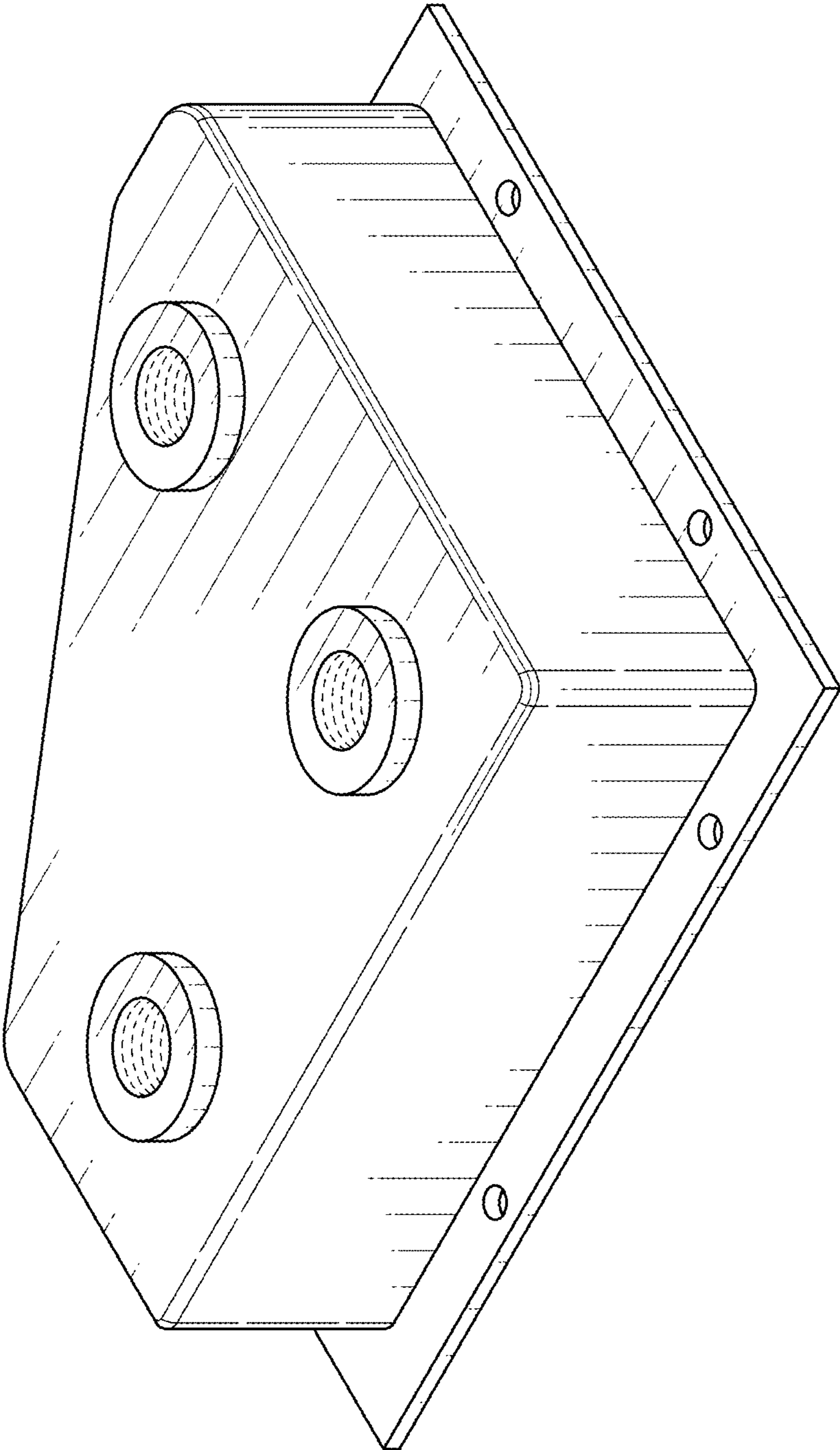


FIG. 8