



US00D918347S

(12) **United States Design Patent** (10) **Patent No.:** **US D918,347 S**
Burns (45) **Date of Patent:** **** May 4, 2021**

(54) **FAUCET**
(71) Applicant: **Reliance Worldwide Corporation,**
Atlanta, GA (US)
(72) Inventor: **William J. Burns,** Dandenong South
(AU)
(73) Assignee: **RELIANCE WORLDWIDE**
CORPORATION, Atlanta, GA (US)

1,878,288 A 9/1932 Mohr
1,878,569 A 9/1932 Zolleis
1,939,911 A 12/1933 McCune
2,210,375 A 8/1940 Mueller
2,887,295 A 5/1959 Bredtschneider
2,997,054 A 8/1961 Woodford
D205,438 S 8/1966 Hansen
(Continued)

(**) Term: **15 Years**

FOREIGN PATENT DOCUMENTS
CN 204277132 U 4/2015
WO WO-2015/125386 A1 8/2015

(21) Appl. No.: **29/753,683**

OTHER PUBLICATIONS

(22) Filed: **Oct. 1, 2020**

International Preliminary Report on Patentability on PCT Appl. Ser. No. PCT/US2018/065661 dated Jun. 25, 2020 (7 pages).
(Continued)

Related U.S. Application Data

(60) Division of application No. 29/710,473, filed on Oct. 23, 2019, now Pat. No. Des. 900,975, which is a continuation of application No. 15/843,186, filed on Dec. 15, 2017, now Pat. No. 10,816,120.

Primary Examiner — Robert A Delehanty
(74) *Attorney, Agent, or Firm* — Foley & Lardner LLP

(51) **LOC (13) Cl.** **23-01**

(57) **CLAIM**

(52) **U.S. Cl.**

I claim the ornamental design for a faucet, as shown and described.

USPC **D23/255**

(58) **Field of Classification Search**

DESCRIPTION

USPC D23/238–243, 249, 255, 257, 245, 233;
D7/313, 398; D8/350, 352
CPC . Y10T 137/9464; E03C 1/0404; E03C 1/021;
F16K 1/041; F16K 1/06; F16K 1/02;
F16K 1/48; F16K 1/482; F16K 1/485;
F16K 11/487; F16K 27/02; F16K 1/08;
F16K 1/10; B21K 1/20; B21K 1/241
See application file for complete search history.

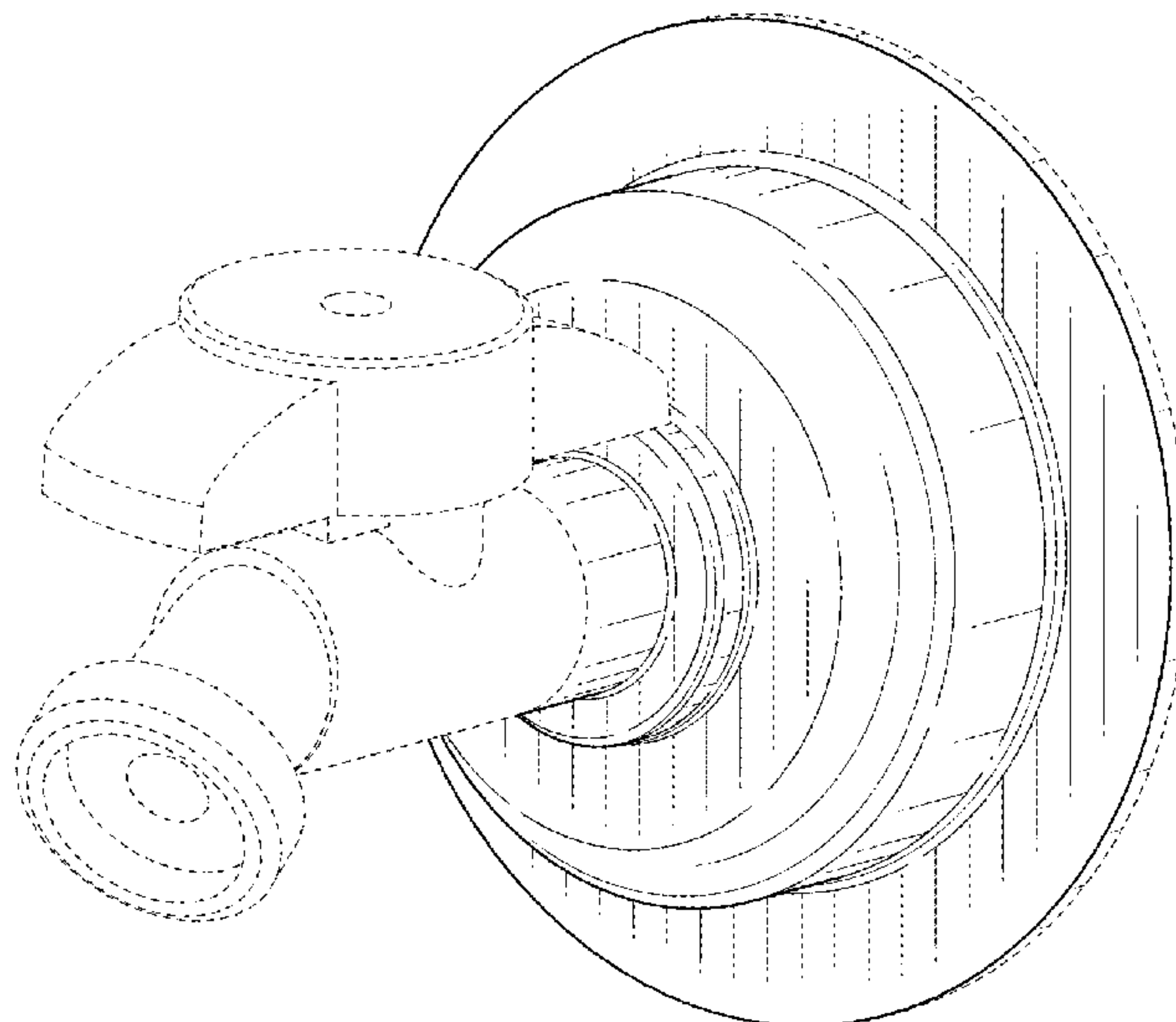
FIG. 1 is a perspective view of the claimed design;
FIG. 2 is a front view thereof;
FIG. 3 is a rear view thereof;
FIG. 4 is a right side view thereof;
FIG. 5 is a left side view thereof;
FIG. 6 is a bottom view thereof; and,
FIG. 7 is a top view thereof.
The ornamental design that is claimed is shown in solid lines in the figures. Broken lines of equal or substantially equal length dashes in the drawings are for illustrative purposes only and form no part of the claimed design. Broken lines formed by equal length dashes show unclaimed portions of the design.

(56) **References Cited**

U.S. PATENT DOCUMENTS

1,115,696 A 11/1914 Linbarger
1,214,220 A 1/1917 Regar
D52,919 S 1/1919 Mittinger
1,482,484 A 2/1924 Roberts

1 Claim, 4 Drawing Sheets



(56)

References Cited

U.S. PATENT DOCUMENTS

3,414,001 A 12/1968 Woodford
 D223,647 S 5/1972 Cornelius
 3,711,063 A 1/1973 Gibbs et al.
 4,244,556 A 1/1981 Miller
 4,314,580 A * 2/1982 Steinwand E03B 7/10
 137/312
 4,440,316 A * 4/1984 Christine B65D 47/248
 222/183
 4,523,740 A 6/1985 Paitchell
 4,722,558 A 2/1988 Badoureaux
 4,860,784 A 8/1989 Petersen et al.
 5,174,611 A 12/1992 Byrd et al.
 5,480,122 A 1/1996 Barker
 5,482,329 A 1/1996 McCall et al.
 D371,956 S * 7/1996 Steffes D23/254
 5,551,735 A 9/1996 Takayanagi et al.
 5,588,681 A 12/1996 Parks
 5,590,679 A * 1/1997 Almasy E03B 9/02
 137/218
 5,632,303 A * 5/1997 Almasy E03B 9/02
 137/218
 6,065,491 A 5/2000 Rider
 6,216,722 B1 4/2001 Solomon
 6,378,910 B1 4/2002 Maiman
 6,382,592 B1 5/2002 Kim
 6,502,364 B2 1/2003 Richardson
 D513,310 S 12/2005 Kulig
 7,409,964 B2 8/2008 Hoeptner, III
 7,530,606 B1 5/2009 Yang
 7,730,901 B2 * 6/2010 Ball E03B 9/04
 137/15.17
 7,942,161 B2 5/2011 Crompton
 8,272,396 B2 9/2012 Brienza
 8,469,337 B1 6/2013 Hoeptner, III
 8,491,012 B2 7/2013 Lequere
 D697,587 S * 1/2014 Nissen D23/233
 D700,682 S * 3/2014 Bayyouk D23/233
 D748,228 S * 1/2016 Bayyouk D23/269
 9,228,681 B2 1/2016 Kluss
 D756,747 S * 5/2016 Wu D8/352
 D787,029 S * 5/2017 Bayyouk D23/269
 D820,393 S * 6/2018 Tickle D23/233
 10,072,783 B2 9/2018 Gledhill et al.
 D830,122 S 10/2018 Seiders et al.
 D835,754 S * 12/2018 Caleffi D23/233
 10,214,883 B2 2/2019 Chapla
 D861,834 S 10/2019 Foster et al.
 D873,967 S 1/2020 Ozburn

D879,250 S * 3/2020 Glaser D23/233
 D880,661 S * 4/2020 Foster D23/249
 D884,125 S 5/2020 Morefield et al.
 D887,813 S 6/2020 Burns et al.
 2002/0167164 A1 11/2002 Thomas et al.
 2003/0057701 A1 3/2003 Koo
 2004/0021120 A1 2/2004 Turnau, III et al.
 2008/0149873 A1 6/2008 Cimberio et al.
 2010/0072744 A1 3/2010 Xie
 2011/0025054 A1 2/2011 Kluss
 2011/0140417 A1 6/2011 Kluss et al.
 2012/0074695 A1 3/2012 Salehi-Bakhtiari
 2014/0062078 A1 3/2014 Weissmann
 2014/0182709 A1 7/2014 Janousek
 2015/0345683 A1 12/2015 Crompton et al.
 2016/0033065 A1 2/2016 Graham et al.
 2017/0307119 A1 10/2017 Taniguchi
 2017/0321827 A1 11/2017 Lee et al.
 2018/0266604 A1 9/2018 Yang
 2018/0291597 A1 10/2018 Hunt
 2019/0024352 A1 * 1/2019 Ozburn E03B 9/06
 2019/0186642 A1 6/2019 Burns

OTHER PUBLICATIONS

International Search Report and Written Opinion for Appl. Ser. No. PCT/US2018/065661 dated Mar. 22, 2019 (10 pages).
 Non-Final Office Action on U.S. Appl. No. 15/843,186 dated Mar. 4, 2020 (16 pages).
 Non-Final Office Action on U.S. Appl. No. 15/843,186 dated May 16, 2019 (24 pages).
 Non-Final Office Action on U.S. Appl. No. 16/663,123 dated Feb. 10, 2020 (21 pages).
 Notice of Allowance on U.S. Appl. No. 15/843,186 dated Dec. 4, 2019 (9 pages).
 Notice of Allowance on U.S. Appl. No. 15/843,186 dated Jul., 2, 2020 (8 pages).
 Notice of Allowance on U.S. Appl. No. 16/663,123 dated Jul. 1, 2020 (2 pages).
 Notice of Allowance on U.S. Appl. No. 16/663,123 dated Jun. 17, 2020 (10 pages).
 U.S. Notice of Allowance on U.S. Appl. No. 15/843,186 dated Sep. 14, 2020 (2 pages).
 U.S. Notice of Allowance on U.S. Appl. No. 29/710,473 dated Aug. 26, 2020 (6 pages).
 U.S. Office Action on U.S. Appl. No. 29/710,473 dated Jun. 12, 2020 (7 pages).

* cited by examiner

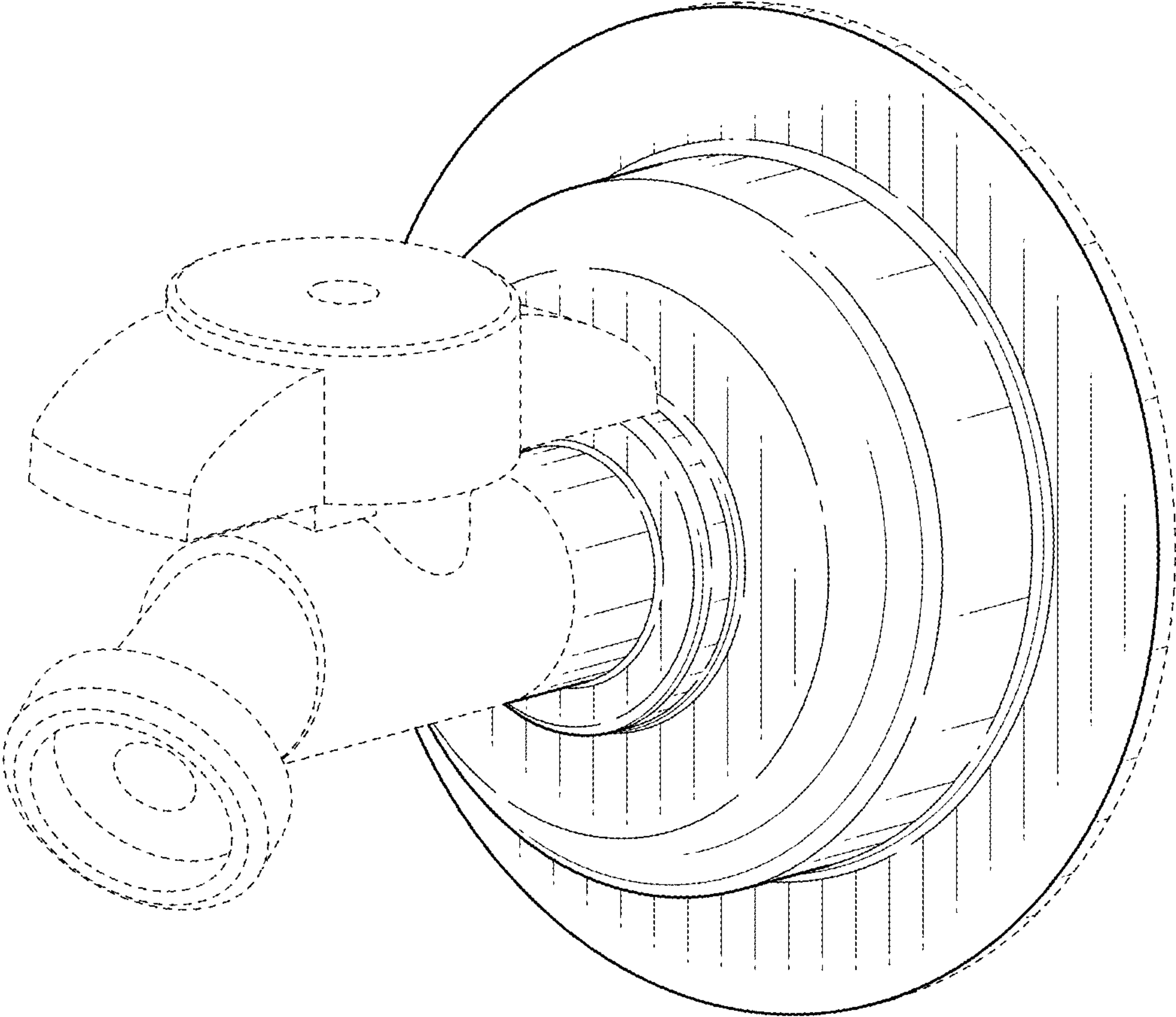


FIG. 1

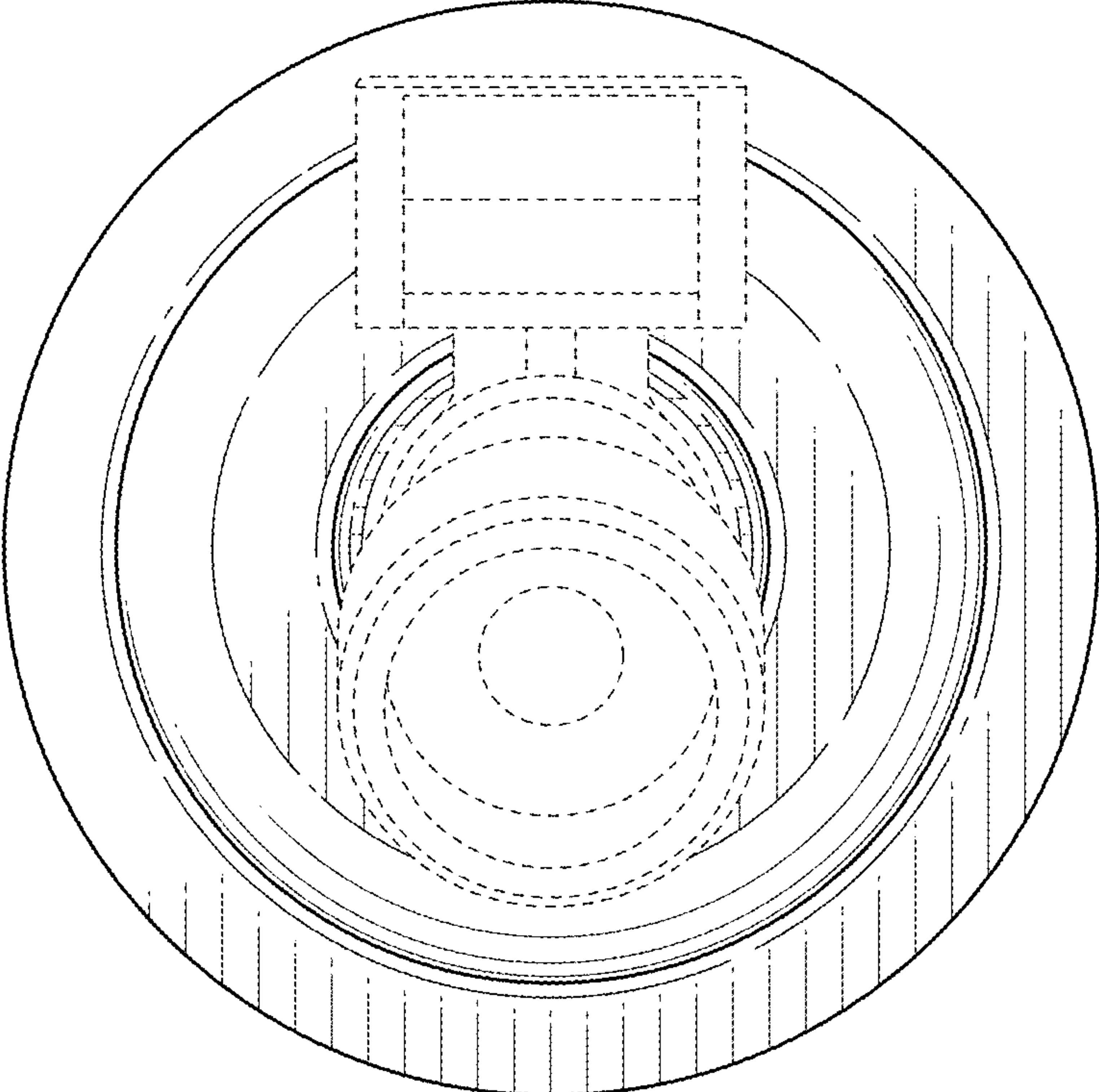


FIG. 2

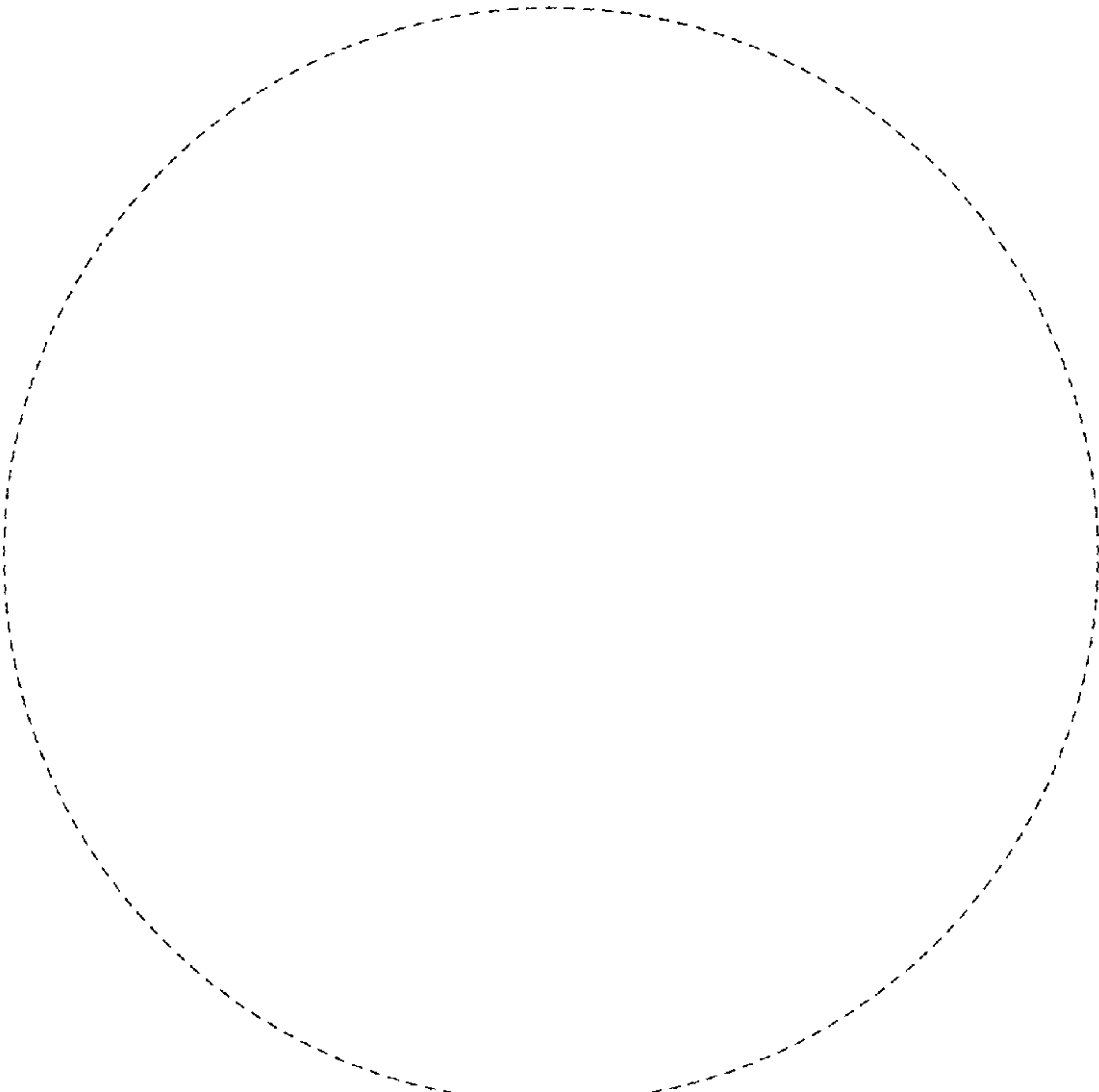


FIG. 3

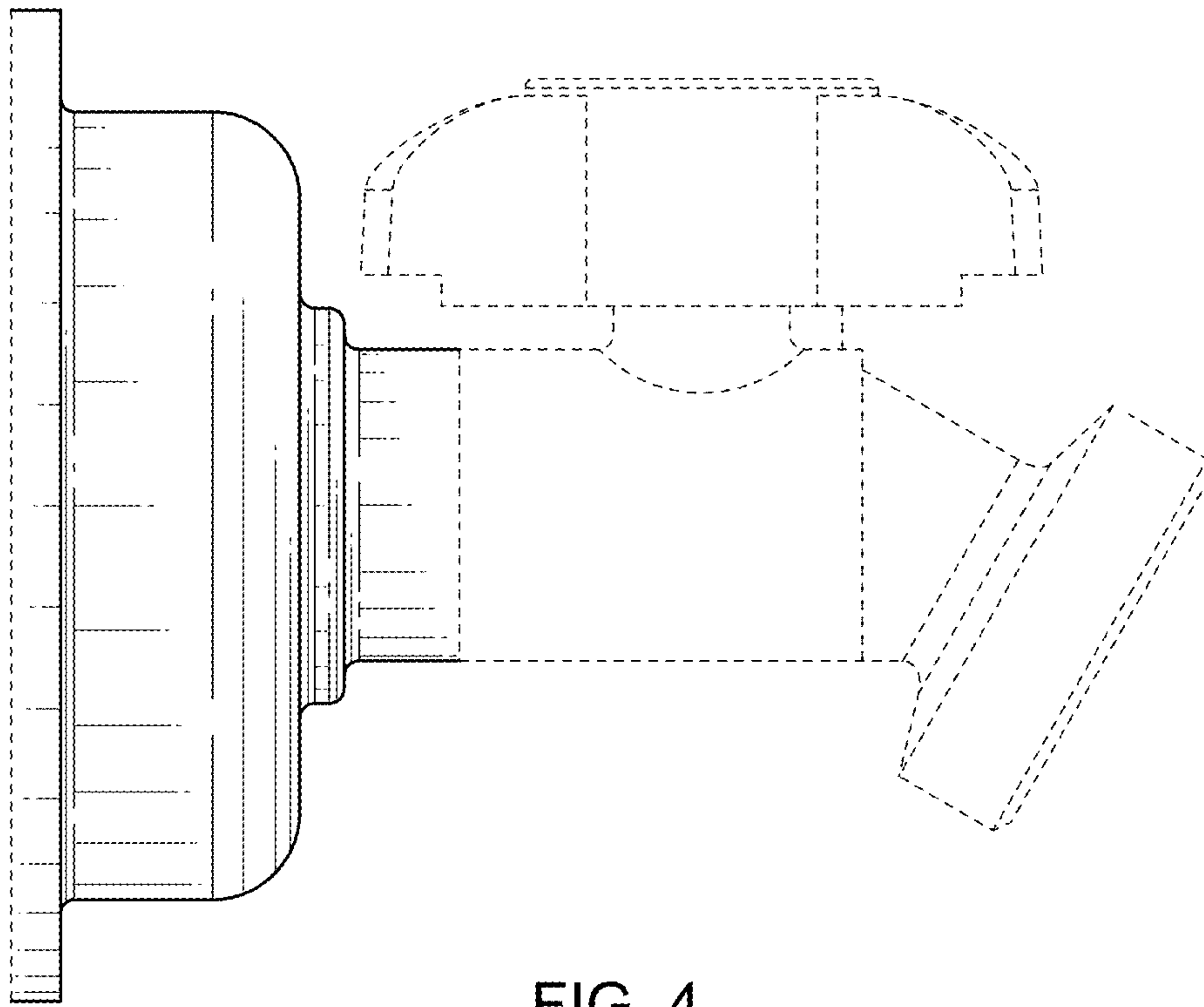


FIG. 4

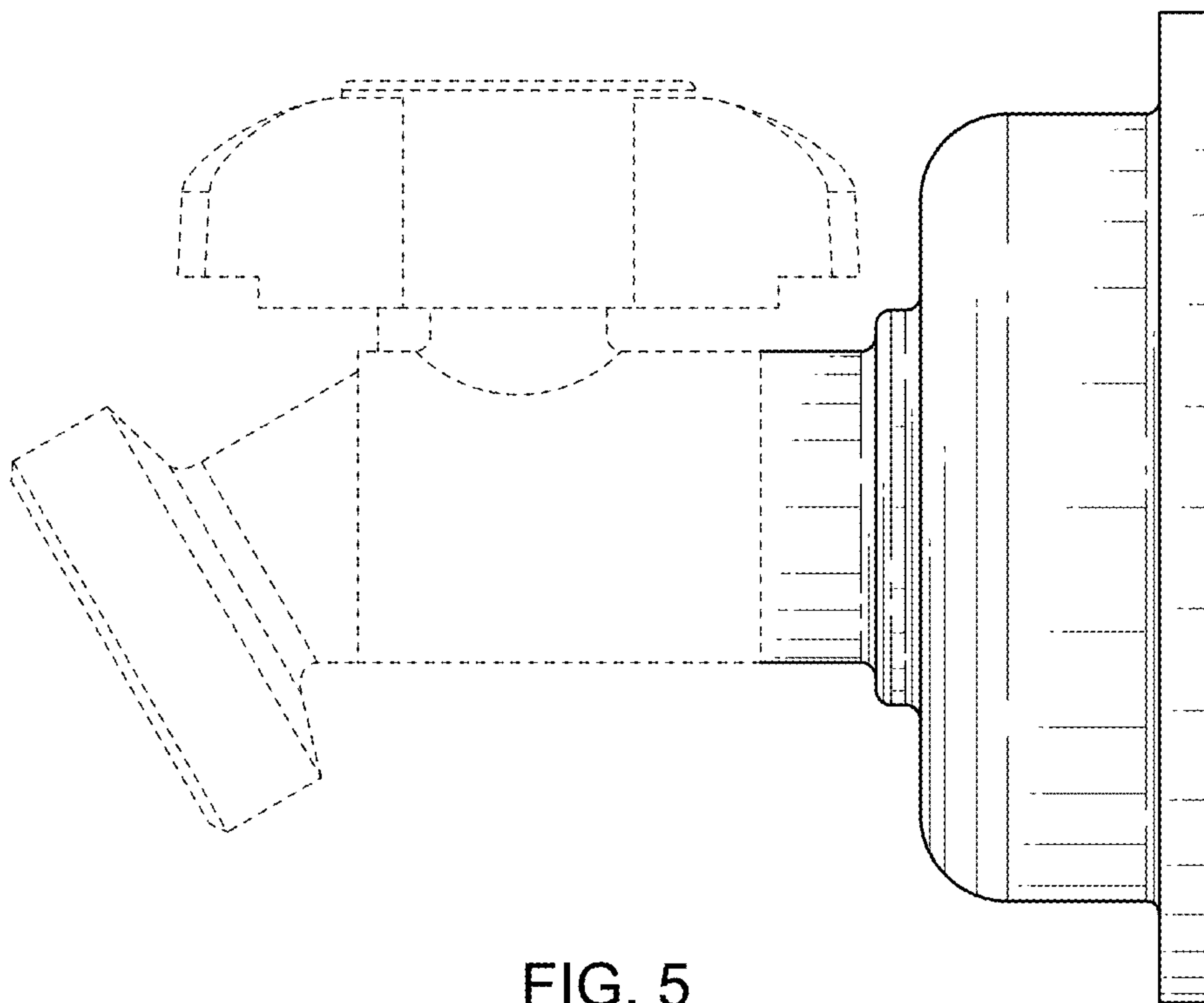


FIG. 5

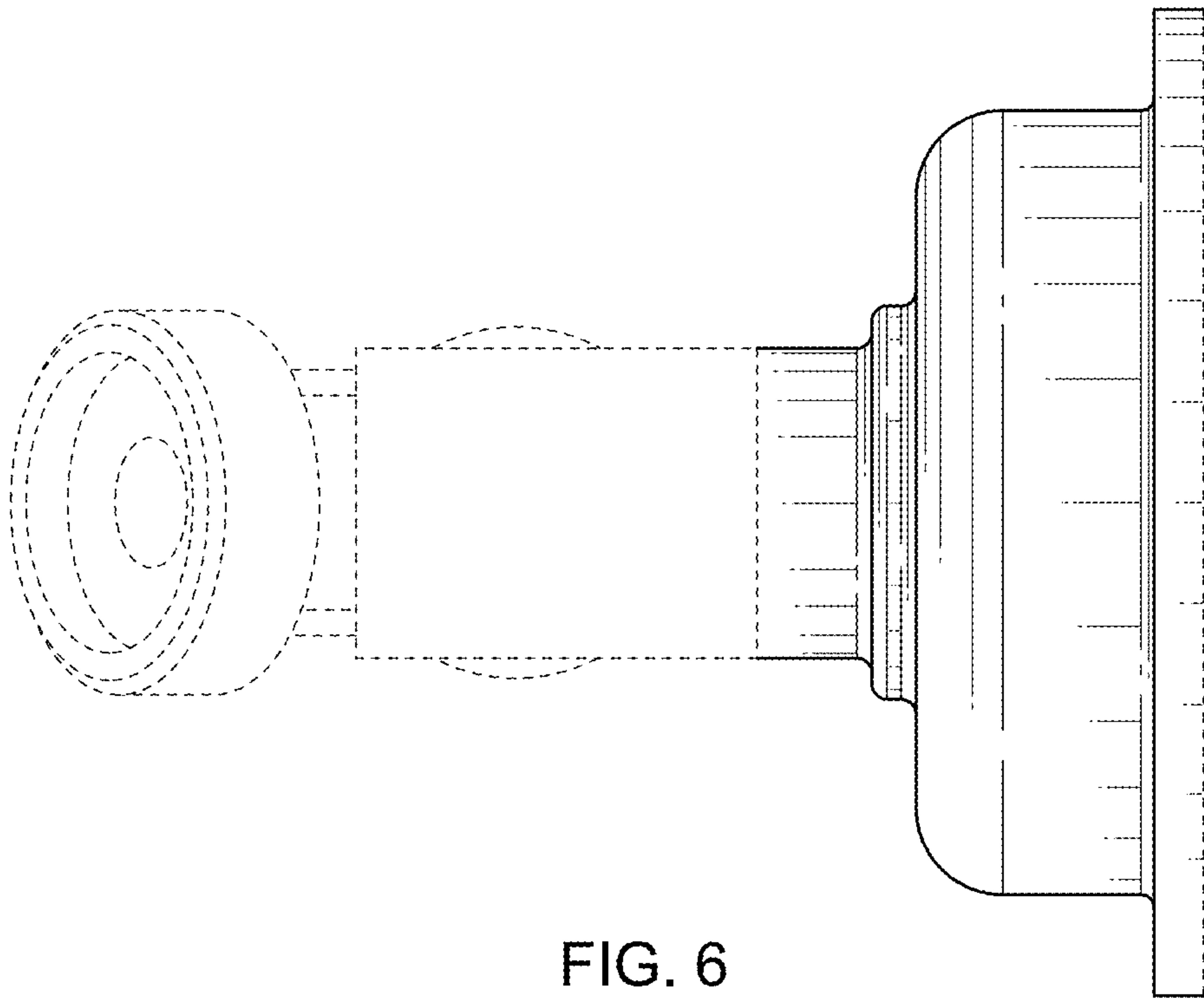


FIG. 6

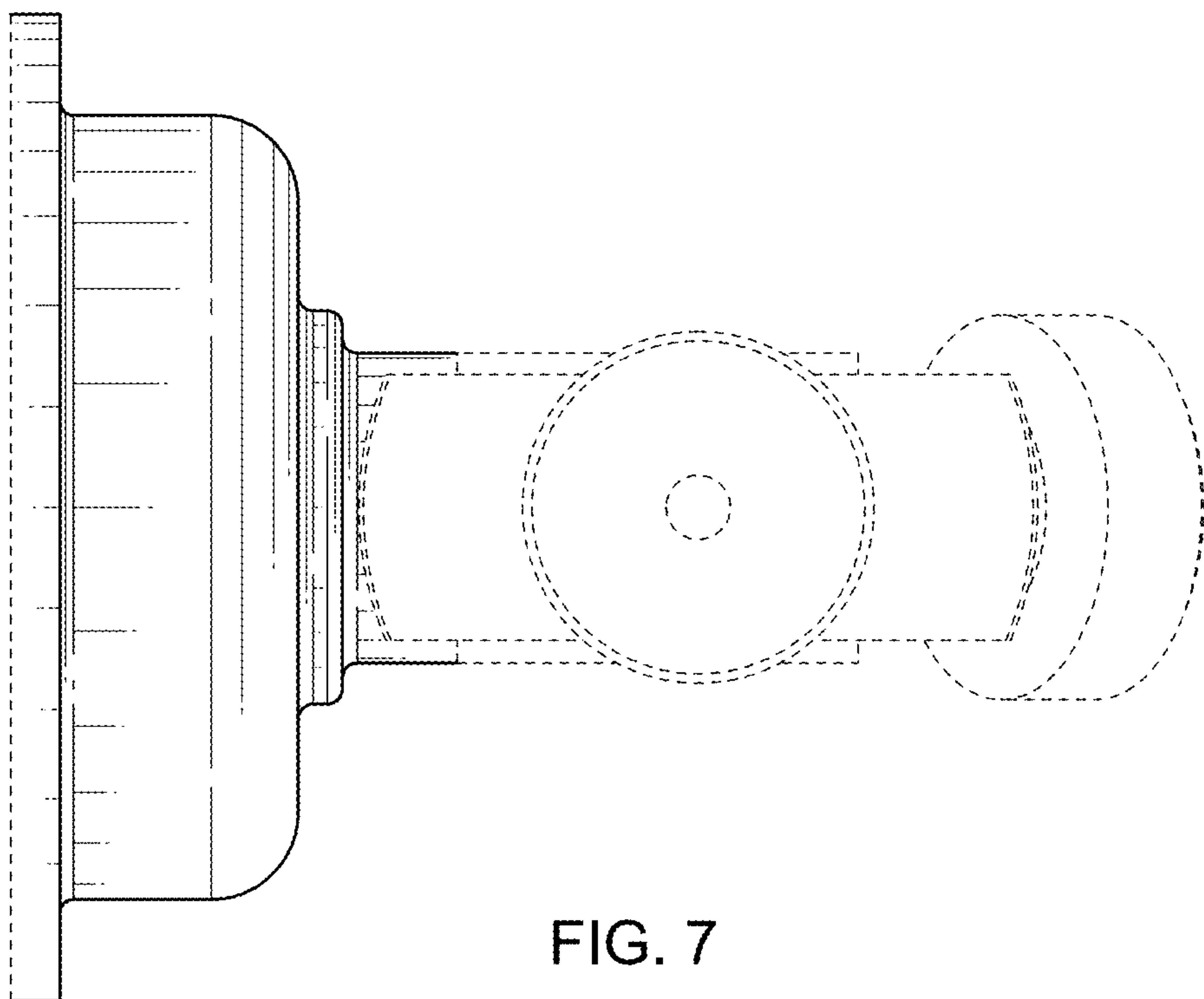


FIG. 7