



US00D918346S

(12) **United States Design Patent**
Zhang

(10) **Patent No.:** **US D918,346 S**

(45) **Date of Patent:** **** May 4, 2021**

(54) **FAUCET SPOUT**

(71) Applicant: **Peijian Zhang**, Wenzhou (CN)

(72) Inventor: **Peijian Zhang**, Wenzhou (CN)

(**) Term: **15 Years**

(21) Appl. No.: **29/690,860**

(22) Filed: **May 11, 2019**

(51) **LOC (13) Cl.** **23-01**

(52) **U.S. Cl.**
USPC **D23/255**

(58) **Field of Classification Search**
USPC D23/255, 257, 238, 241-243
See application file for complete search history.

(56) **References Cited**

U.S. PATENT DOCUMENTS

D576,710 S *	9/2008	Fritz	D23/238
D857,177 S *	8/2019	Zhang	D23/255
D873,384 S *	1/2020	Guo	D23/255
D873,962 S *	1/2020	Fang	D23/238

* cited by examiner

Primary Examiner — Robert A Delehanty

(74) *Attorney, Agent, or Firm* — Zhihua Han; Wen IP LLC

(57) **CLAIM**

The ornamental design for a faucet spout, as shown and described.

DESCRIPTION

FIG. 1 is a prospective view of a faucet spout showing my new design;

FIG. 2 is a front elevational view thereof;

FIG. 3 is a rear devotional view thereof;

FIG. 4 is a left side elevational view thereof;

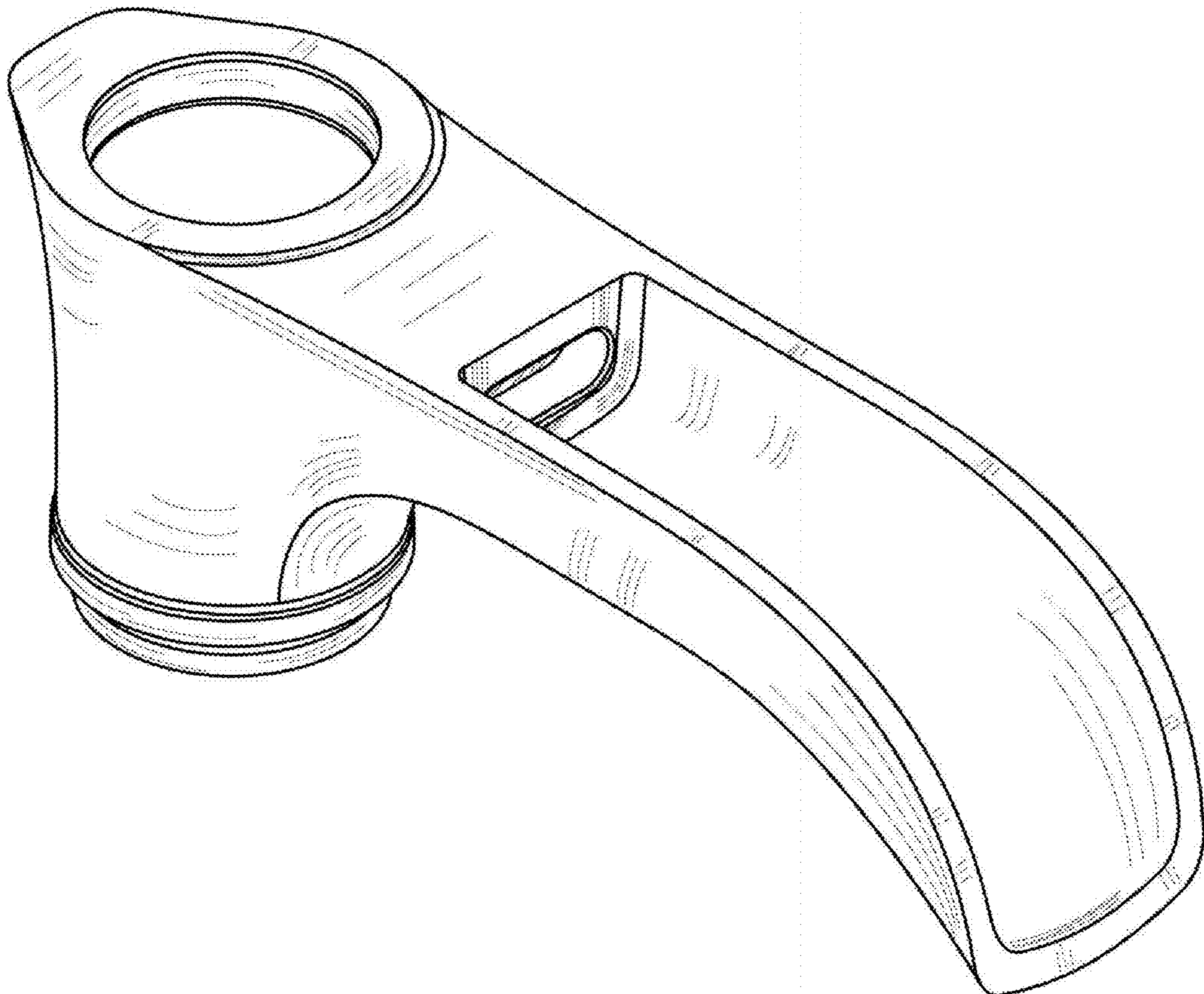
FIG. 5 is a right side elevational view thereof;

FIG. 6 is a top plan view thereof; and,

FIG. 7 is a bottom plan view thereof.

The broken lines in the drawings depict unclaimed portion of the faucet spout only and form no part of the claimed design.

1 Claim, 7 Drawing Sheets



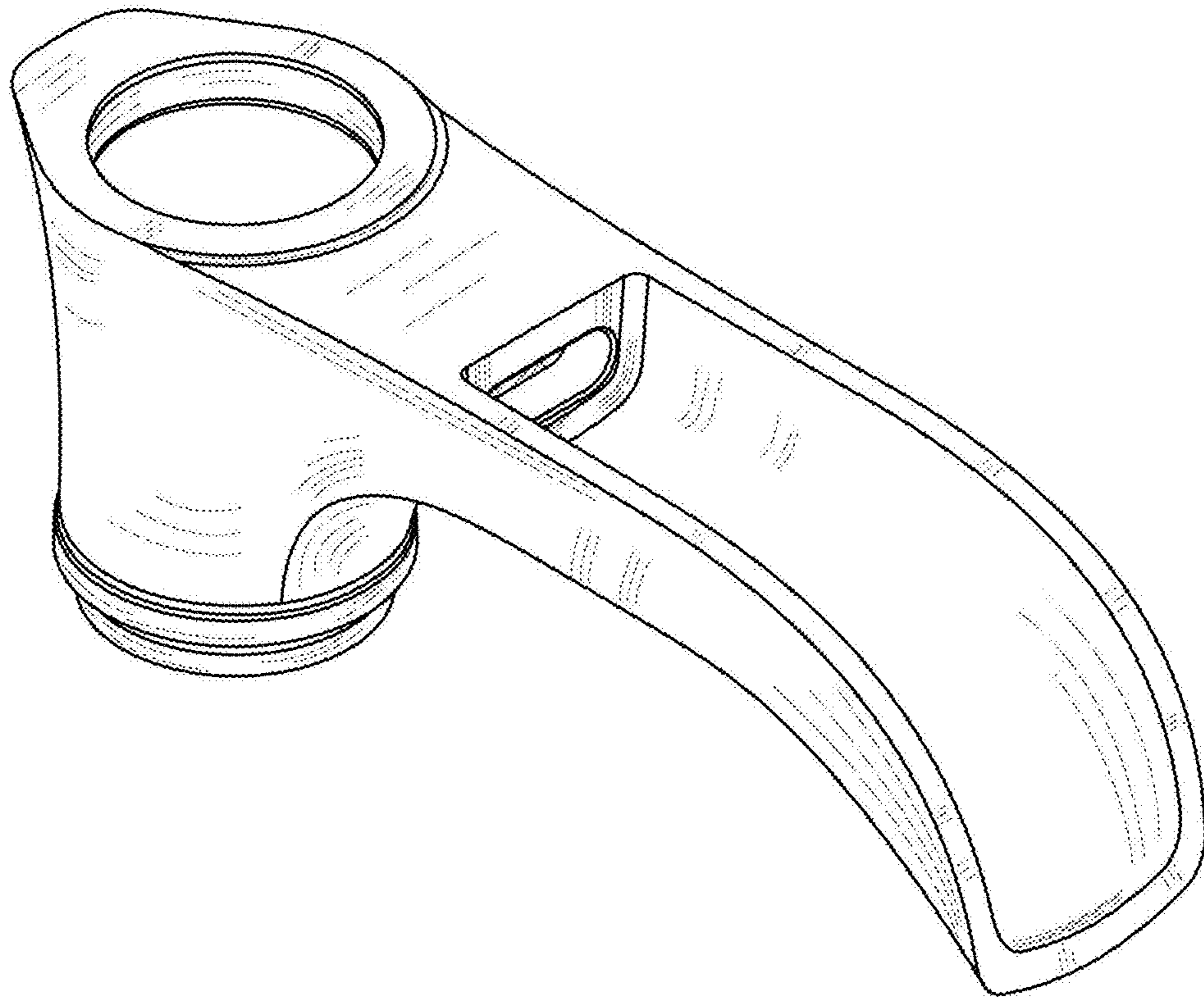


FIG. 1

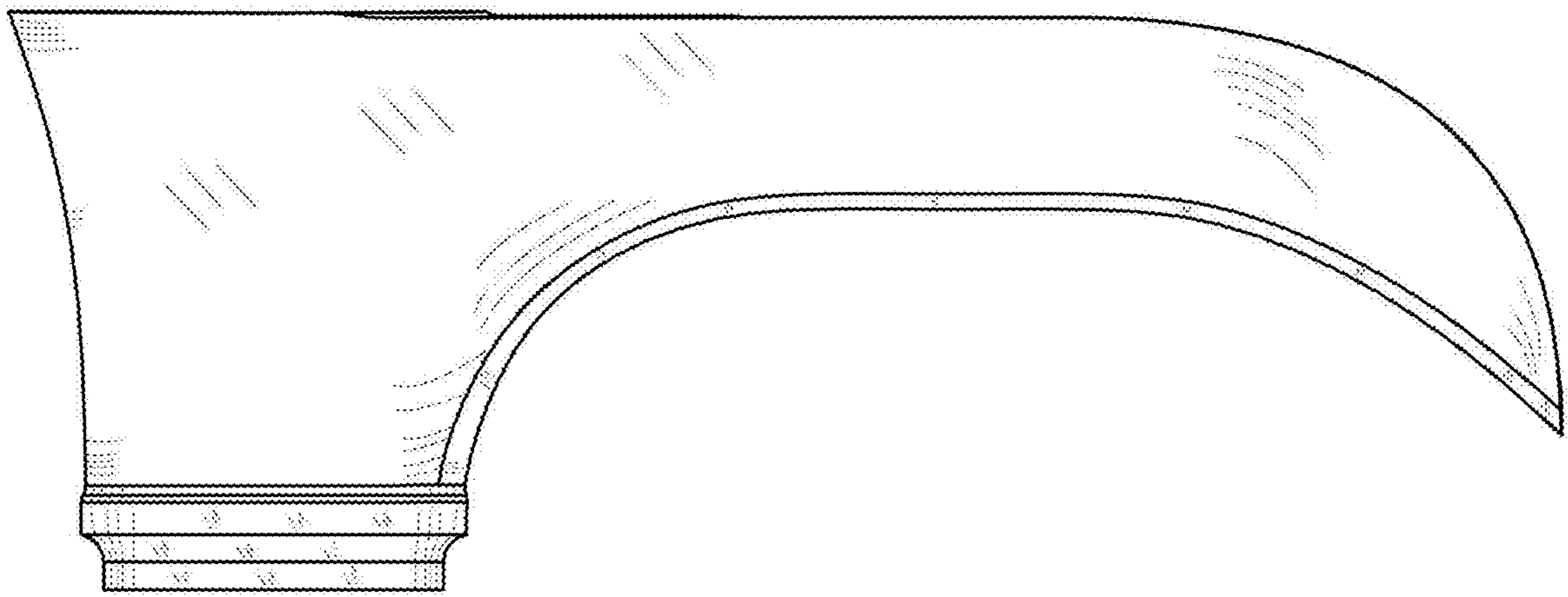


FIG. 2

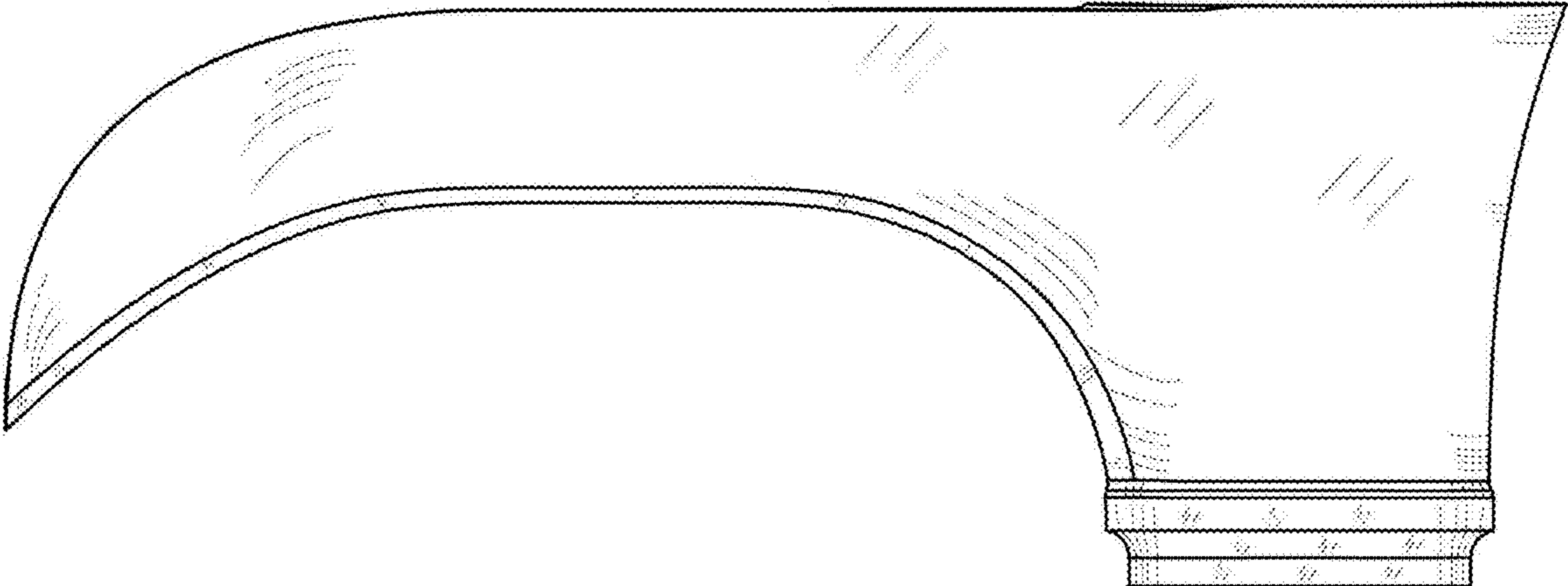


FIG. 3

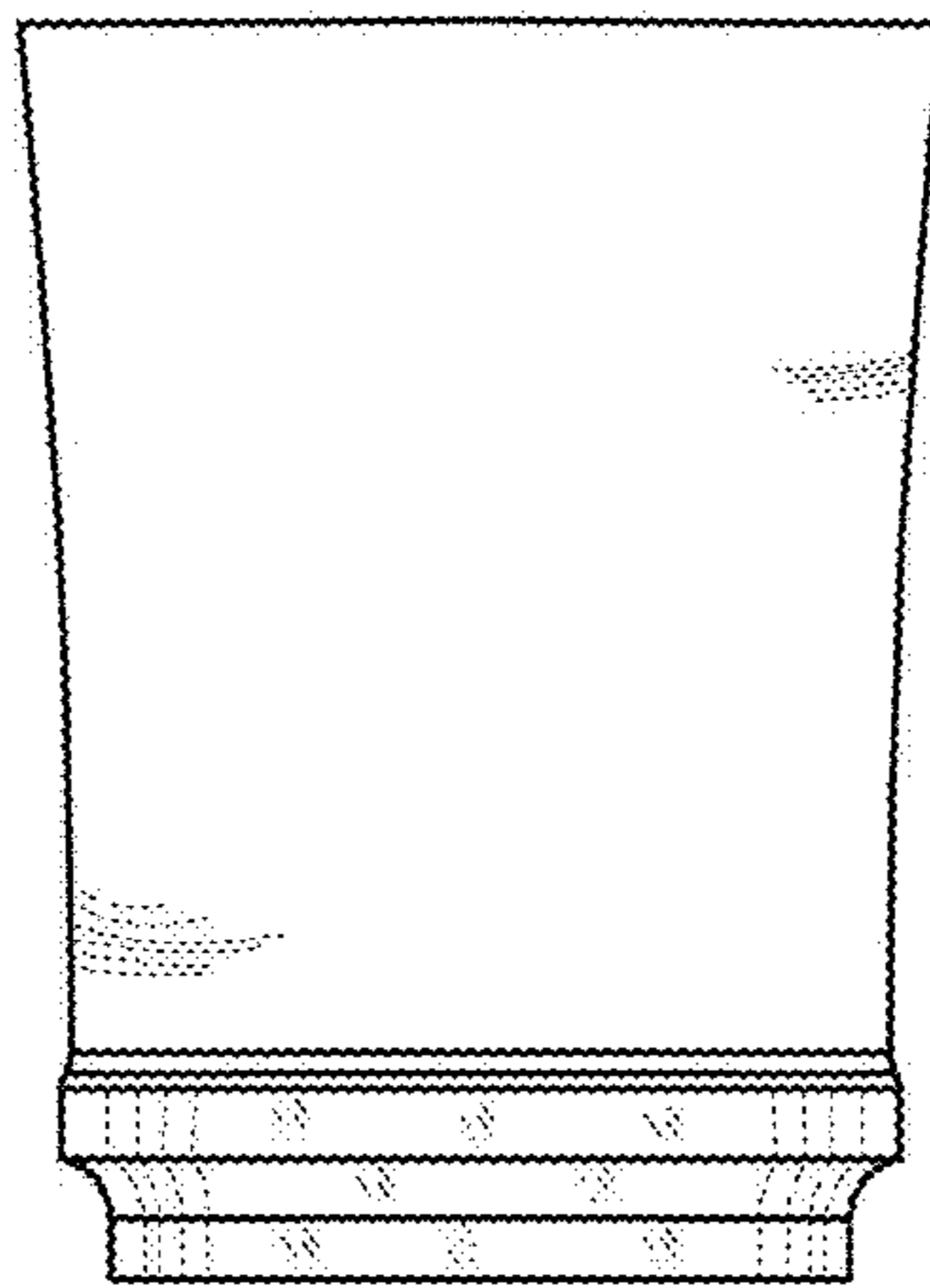


FIG. 4

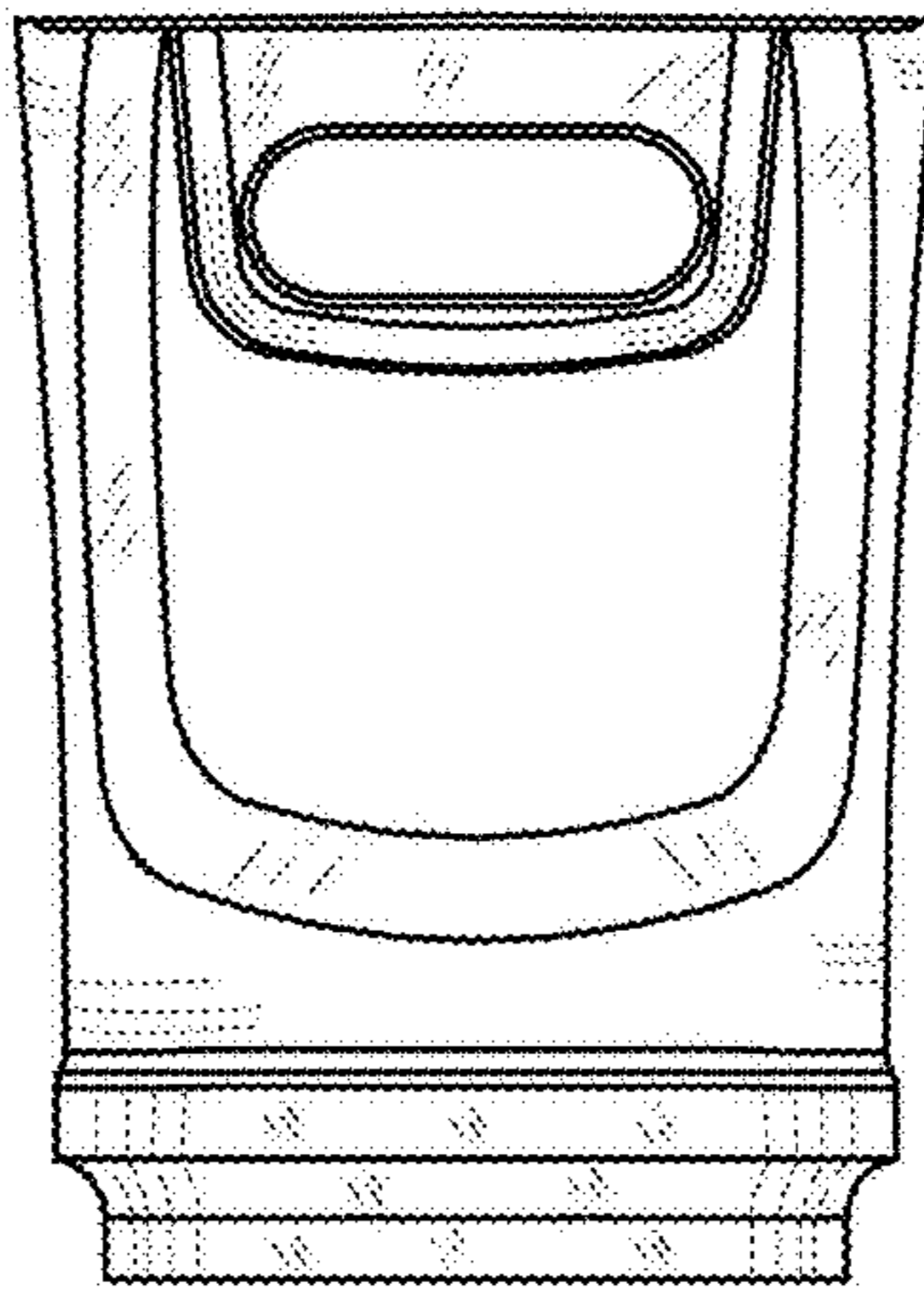


FIG. 5

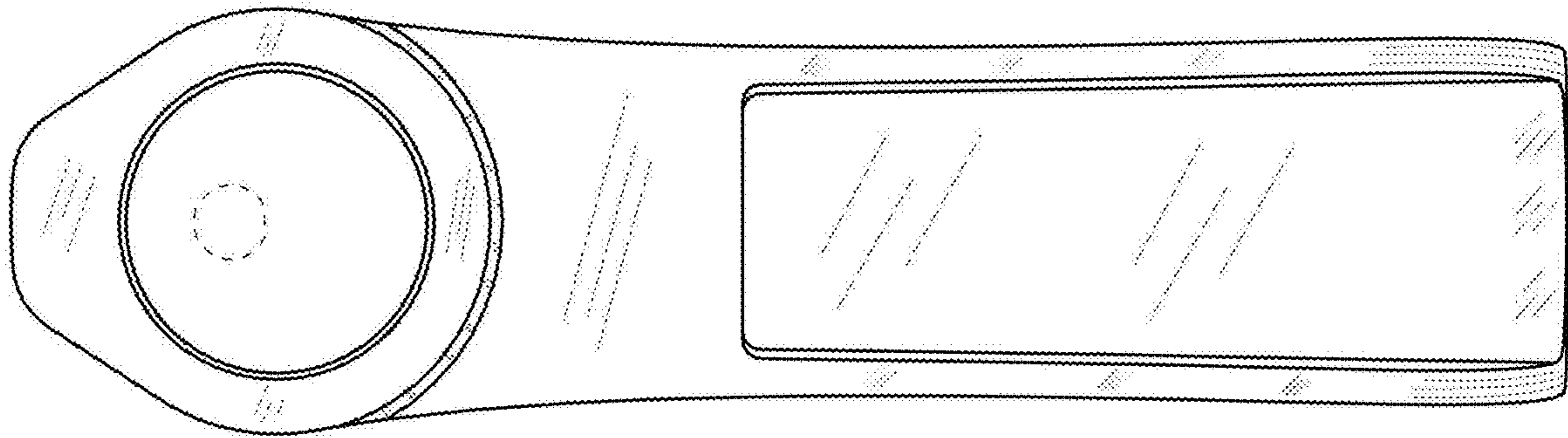


FIG. 6

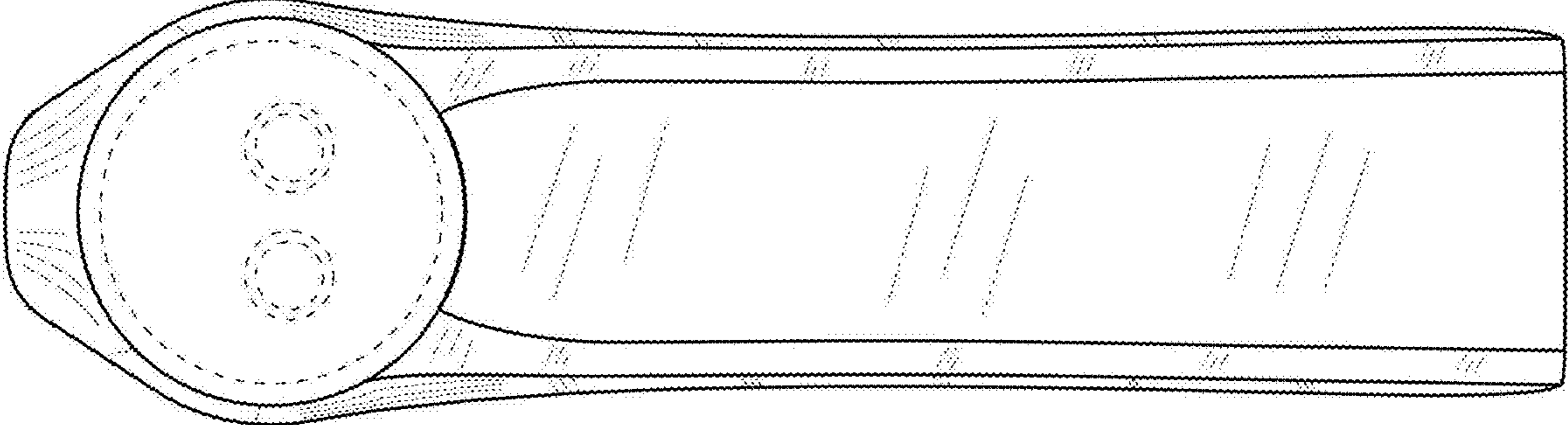


FIG. 7