



US00D918345S

(12) **United States Design Patent** (10) **Patent No.:** **US D918,345 S**
Stoler et al. (45) **Date of Patent:** **** May 4, 2021**

(54) **FAUCET HANDLE**

D810,884 S * 2/2018 Garland D23/252
D822,171 S * 7/2018 Bennett D23/242
D884,126 S * 5/2020 McKeone D23/252

(71) Applicant: **DELTA FAUCET COMPANY**,
Indianapolis, IN (US)

* cited by examiner

(72) Inventors: **Benjamin David Stoler**, Carmel, IN (US); **Thad Eads**, Urbana, IN (US); **Anthony Joseph Tentler**, Windfall, IN (US)

Primary Examiner — Robert A Delehanty

(74) *Attorney, Agent, or Firm* — Nirav D. Parikh; Edgar A. Zarins

(73) Assignee: **DELTA FAUCET COMPANY**,
Indianapolis, IN (US)

(**) Term: **15 Years**

(57) **CLAIM**

The ornamental design for a faucet handle, as shown and described.

(21) Appl. No.: **29/686,609**

(22) Filed: **Apr. 5, 2019**

(51) **LOC (13) Cl.** **23-01**

(52) **U.S. Cl.**
USPC **D23/252**

DESCRIPTION

(58) **Field of Classification Search**
USPC D23/252, 254, 238–243, 249;
D8/307–308

FIG. 1 is a first perspective view of a faucet handle showing my new design;

CPC E03C 1/0408; E03C 1/09; E03C 1/042;
E03C 1/0412

FIG. 2 is a second perspective view thereof;

See application file for complete search history.

FIG. 3 is a first side view thereof;

FIG. 4 is a first end side view thereof;

FIG. 5 is a second side view thereof;

FIG. 6 is a second end view thereof; and,

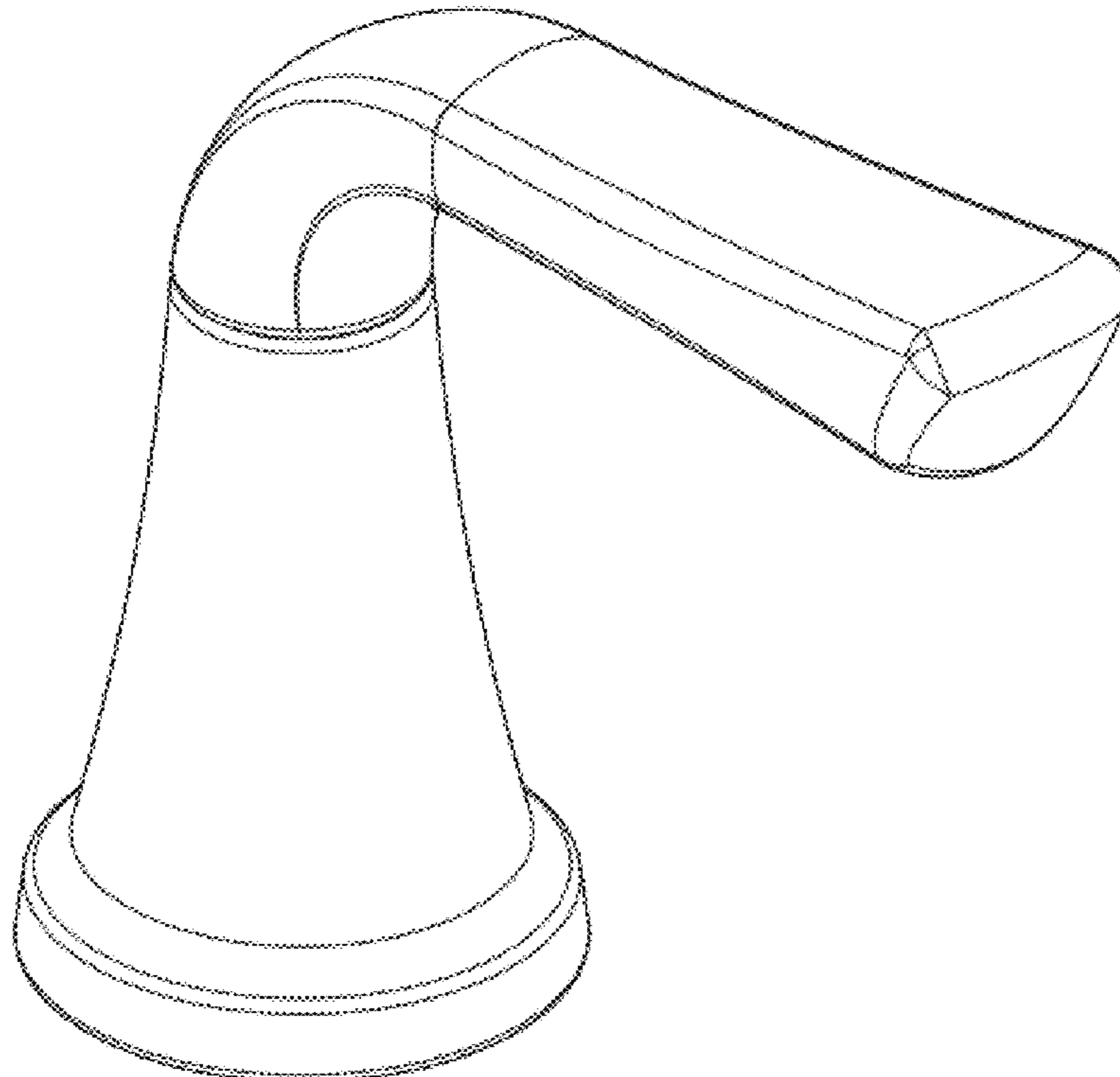
FIG. 7 is a top plan view thereof.

(56) **References Cited**

U.S. PATENT DOCUMENTS

D532,085 S * 11/2006 Svendsen D23/241
D634,815 S * 3/2011 Barry D23/252
D694,369 S * 11/2013 Mendoza D23/242

1 Claim, 4 Drawing Sheets



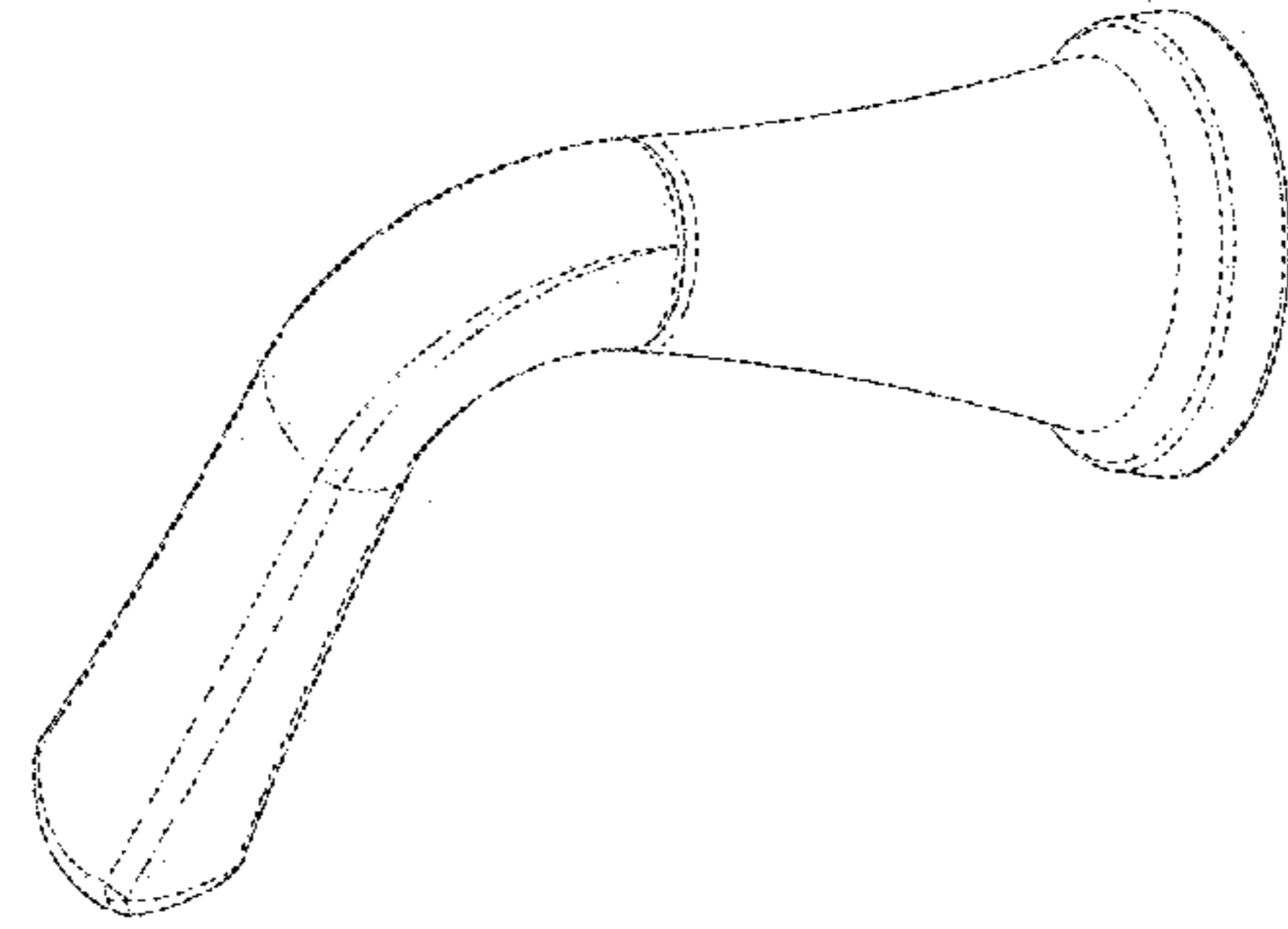


FIG - 2

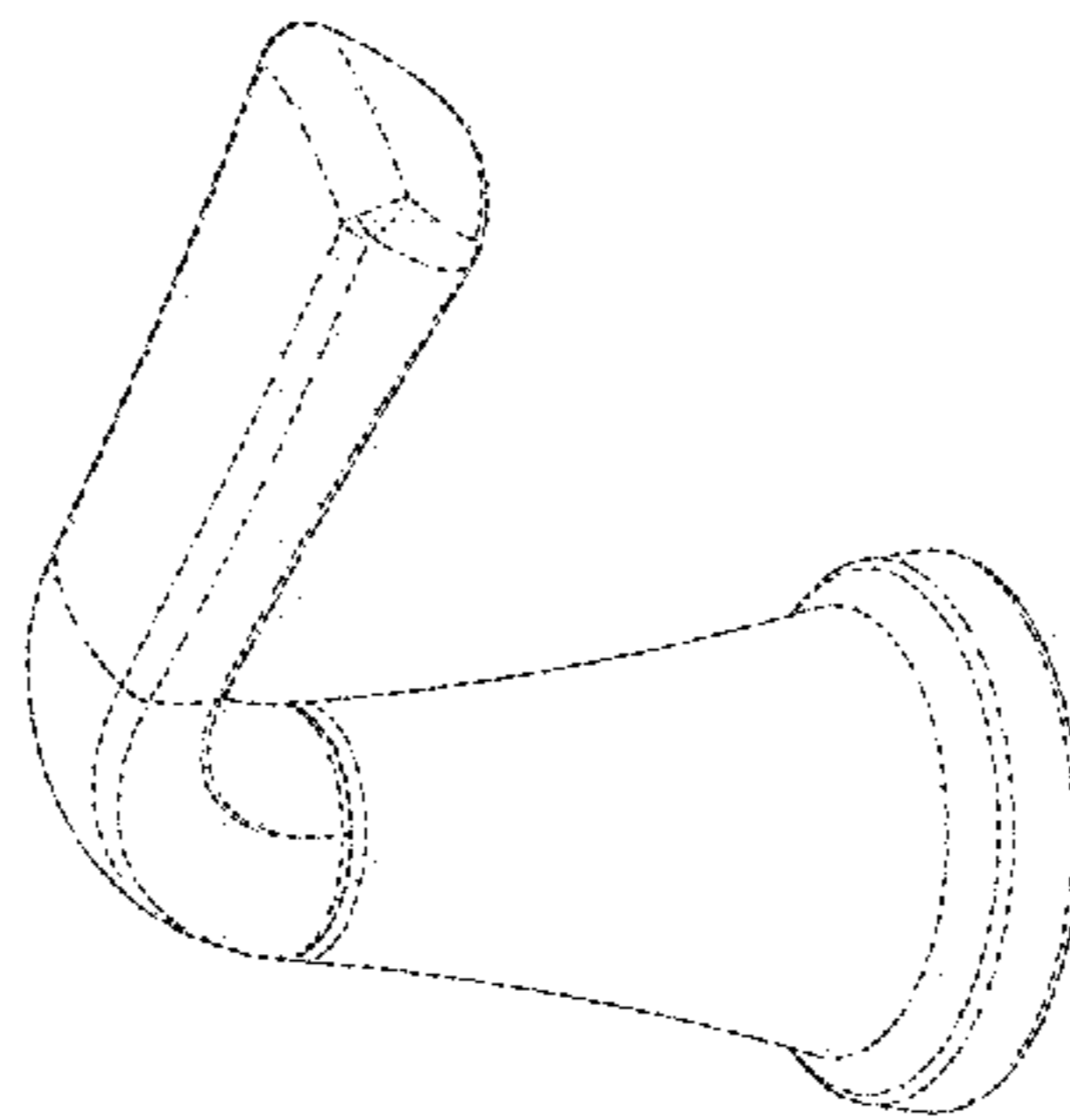


FIG - 1

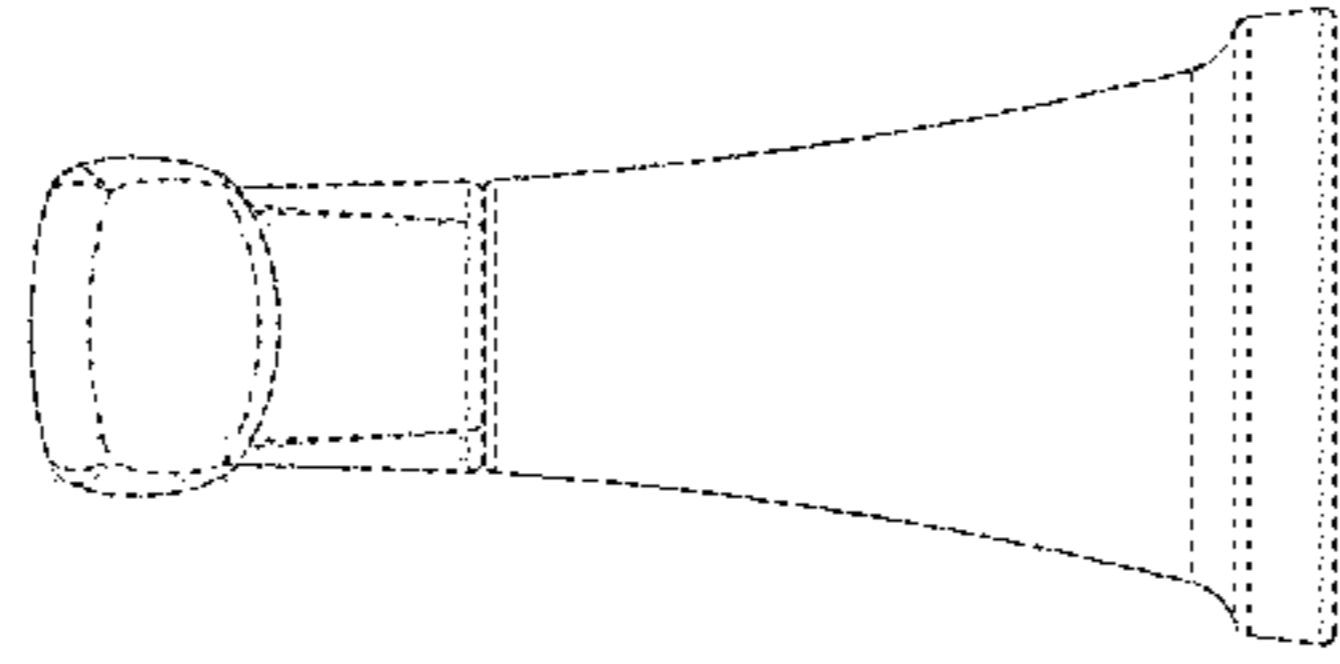


FIG - 4

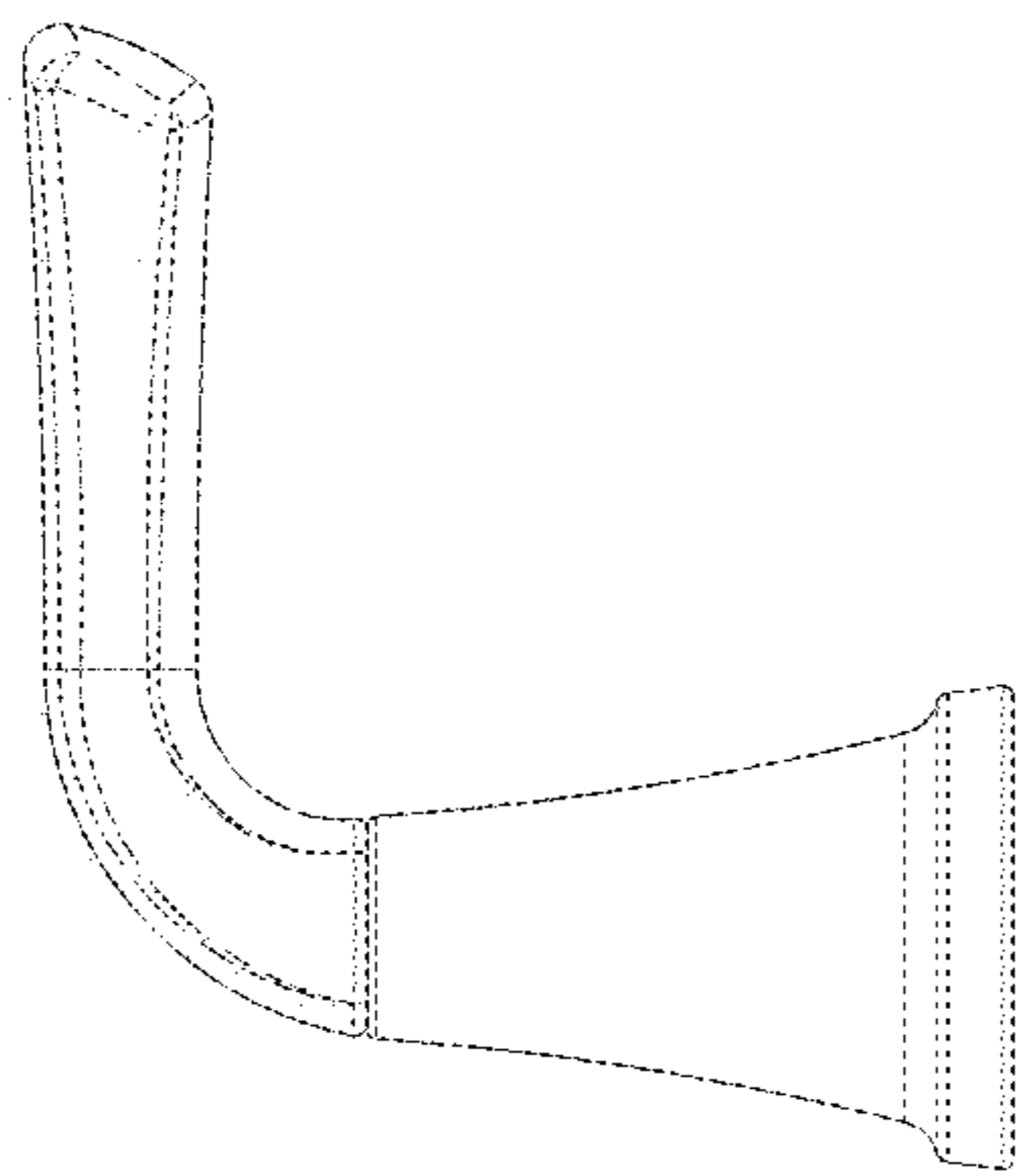


FIG - 3

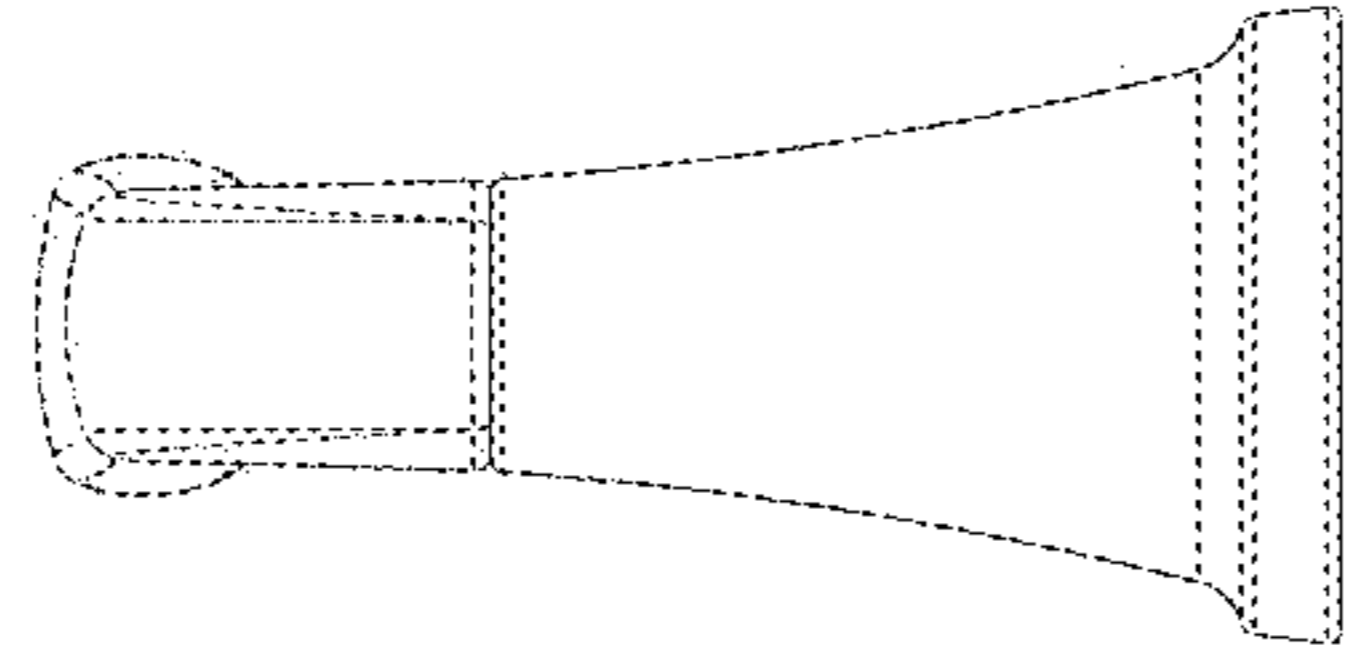


FIG - 6

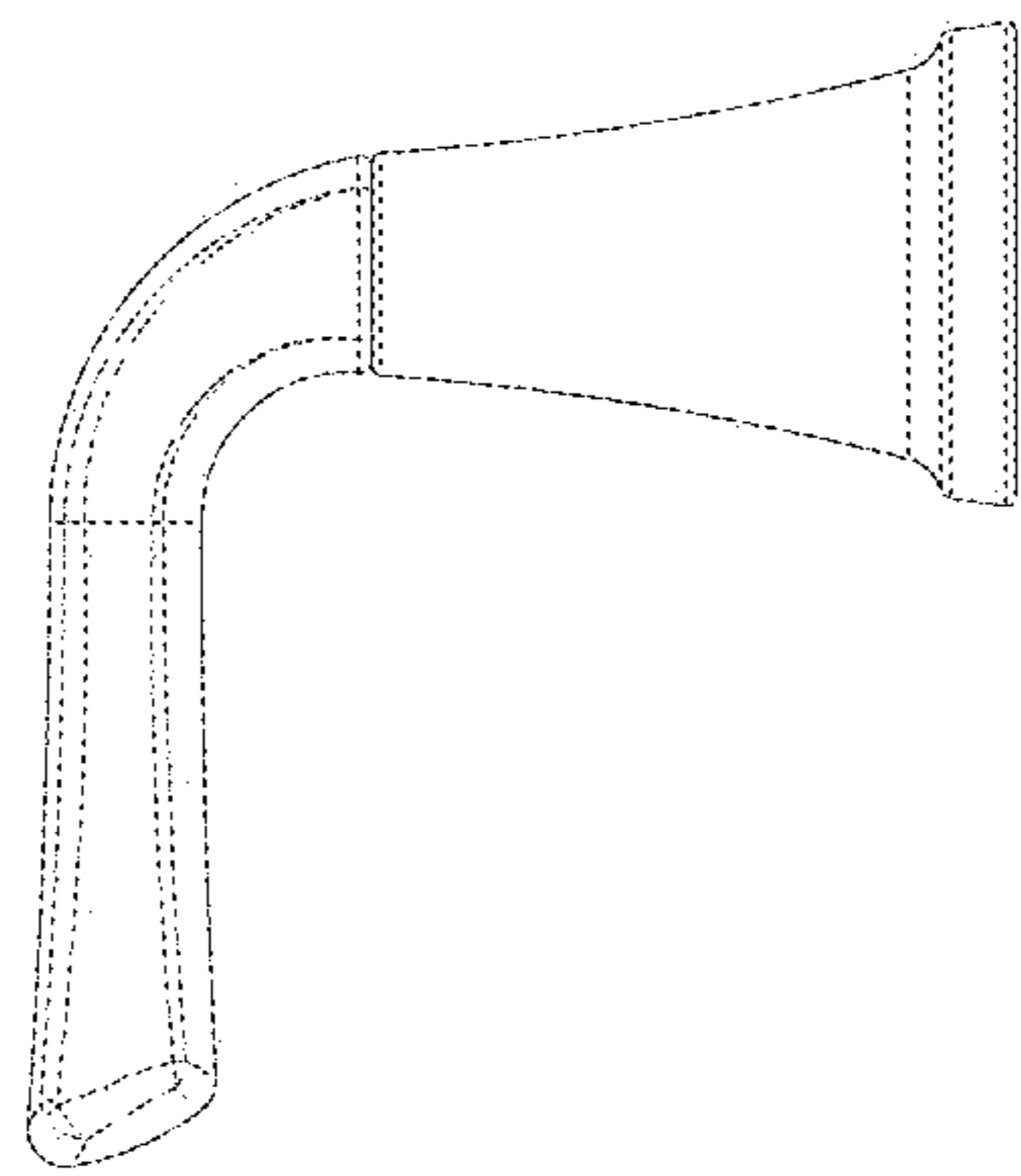


FIG - 5

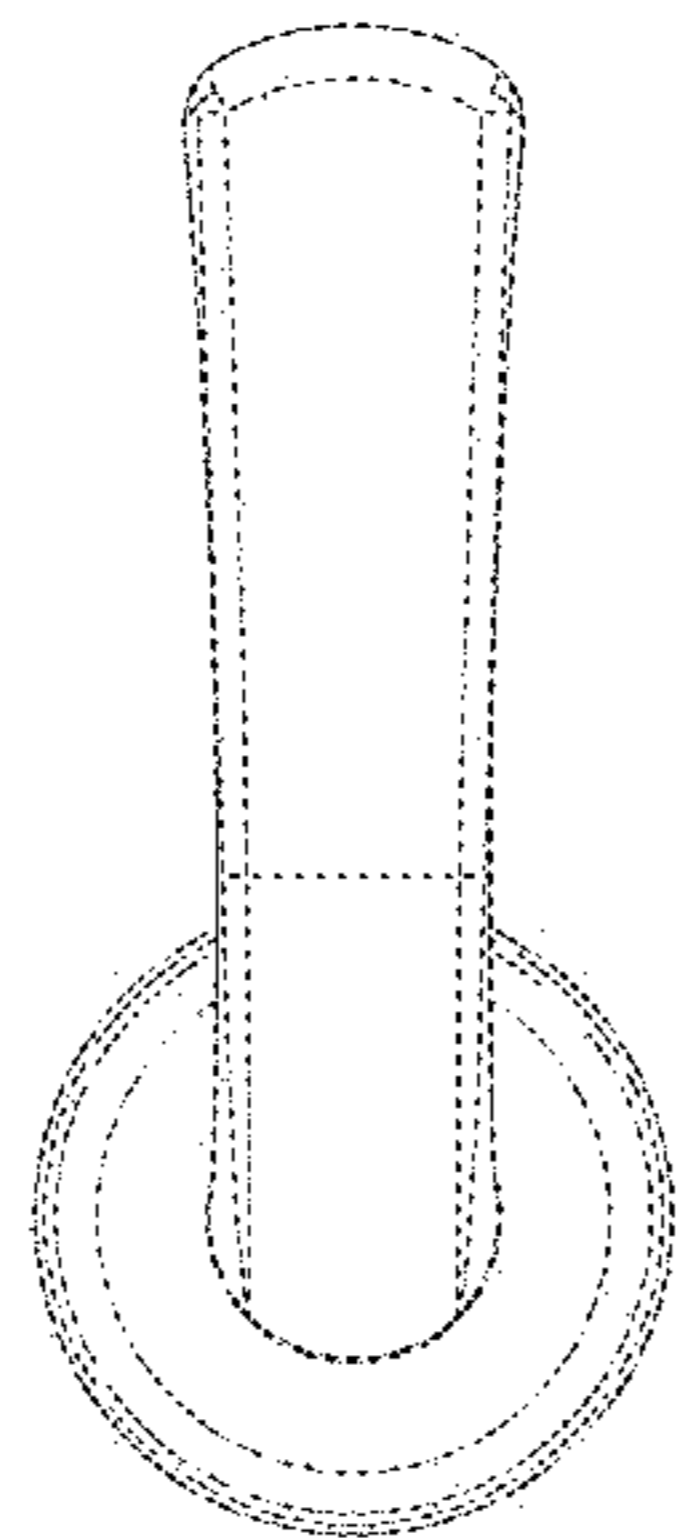


FIG - 7