



US00D918342S

(12) **United States Design Patent** (10) **Patent No.:** **US D918,342 S**
Yoshida et al. (45) **Date of Patent:** **** May 4, 2021**

(54) **ELECTROMAGNETIC VALVE**

FOREIGN PATENT DOCUMENTS

(71) Applicant: **SMC CORPORATION**, Chiyoda-ku (JP)

KR 30-0979163 S 11/2018

(72) Inventors: **Masaru Yoshida**, Ushiku (JP); **Kenichi Matsumura**, Kashiwa (JP)

OTHER PUBLICATIONS

Japanese Office Action dated Mar. 2, 2020, in Design Application No. 2019-016465, 6 pages (with English translation).

(73) Assignee: **SMC CORPORATION**, Chiyoda-ku (JP)

* cited by examiner

(**) Term: **15 Years**

Primary Examiner — Jack Reickel

Assistant Examiner — Keith J Wilson

(21) Appl. No.: **29/717,546**

(74) *Attorney, Agent, or Firm* — Oblon, McClelland, Maier & Neustadt, L.L.P.

(22) Filed: **Dec. 18, 2019**

(30) **Foreign Application Priority Data**

(57) **CLAIM**

Jul. 23, 2019 (JP) 2019-016465

The ornamental design for an electromagnetic valve, as shown and described.

(51) **LOC (13) Cl.** **23-01**

(52) **U.S. Cl.**
USPC **D23/233**

(58) **Field of Classification Search**
USPC D23/233, 235–237, 241–249; D15/5, 7, D15/9, 199

CPC .. F16K 31/0675; F16K 27/029; F16K 27/048; F16K 31/082; F16K 31/06; F16K 31/02; F16K 31/0606

See application file for complete search history.

DESCRIPTION

FIG. 1 is a front, top, and left side perspective view of an electromagnetic valve;
FIG. 2 is a rear, bottom, and right side view thereof;
FIG. 3 is a front elevational view thereof;
FIG. 4 is a rear elevational view thereof;
FIG. 5 is a top plan view thereof;
FIG. 6 is a bottom plan view thereof;
FIG. 7 is a left side elevational view thereof; and,
FIG. 8 is a right side elevational view thereof.

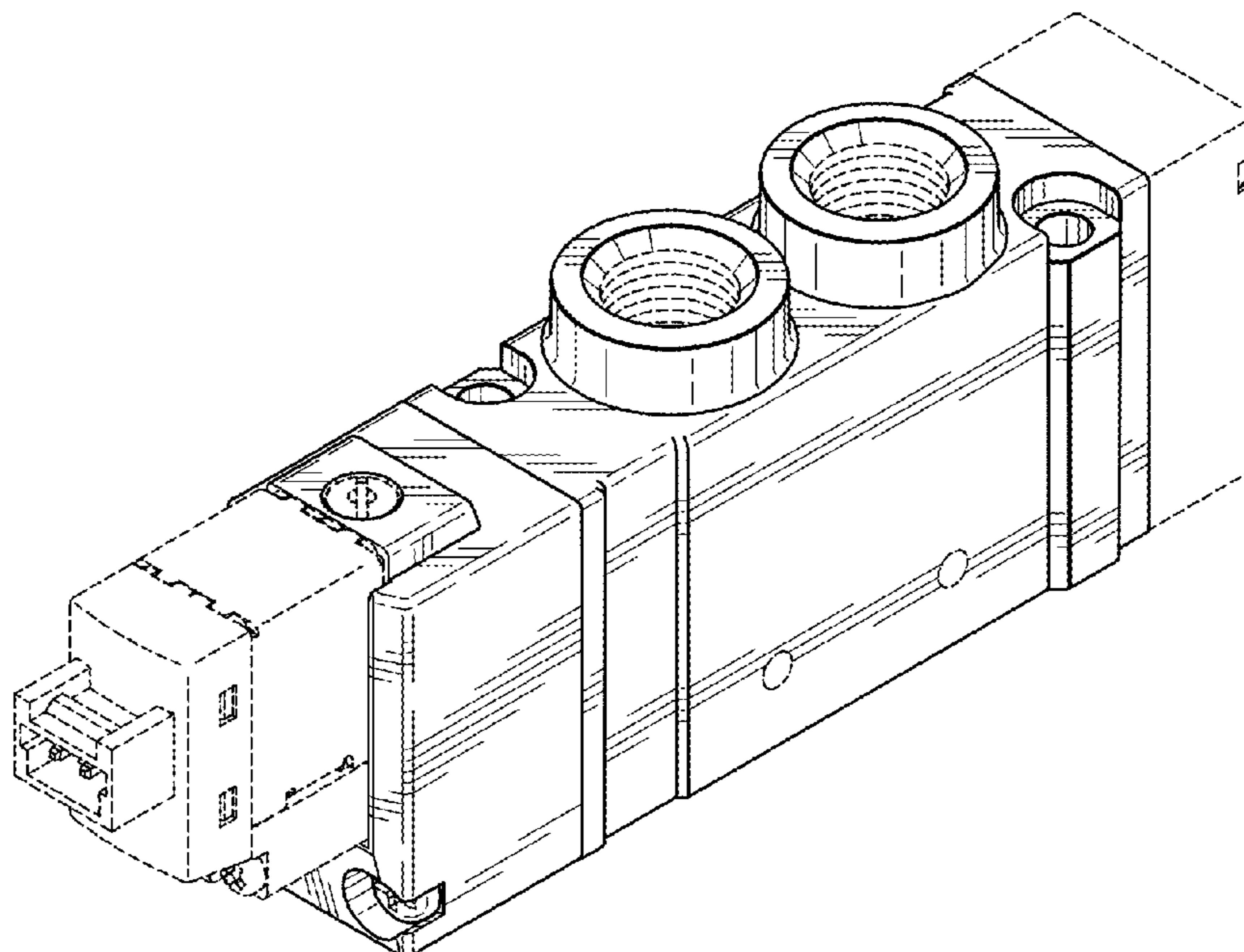
The broken lines shown in the figures are for the purpose of illustrating portions of the electromagnetic valve that form no part of the claimed design.

(56) **References Cited**

U.S. PATENT DOCUMENTS

D720,046 S * 12/2014 Morodomi D23/233
D846,697 S * 4/2019 Yoshimura D23/233
D857,163 S * 8/2019 Yoshimura D23/233
D866,464 S * 11/2019 Nakayama D13/112
D897,496 S * 9/2020 Yoshimura D23/233

1 Claim, 7 Drawing Sheets



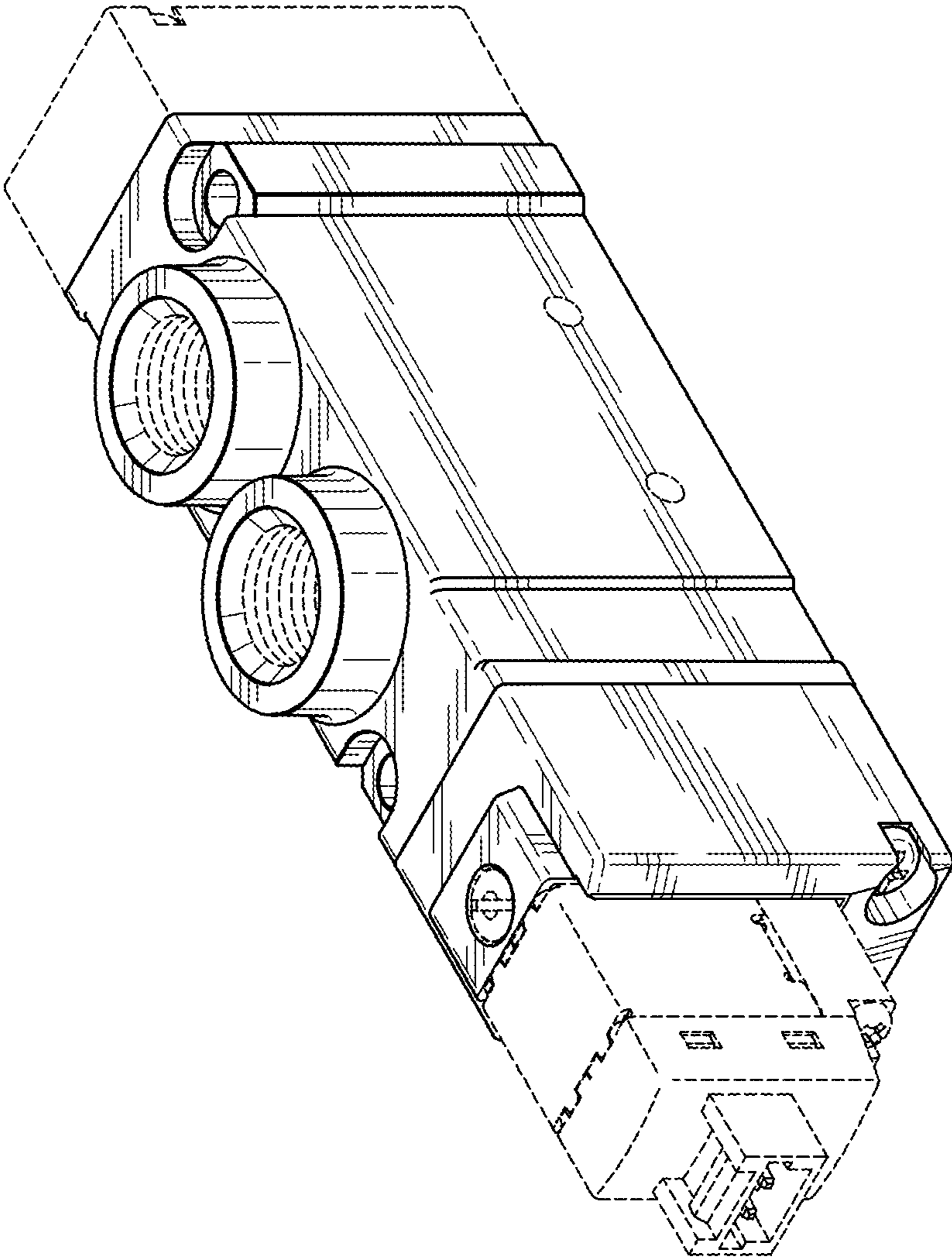


FIG. 1

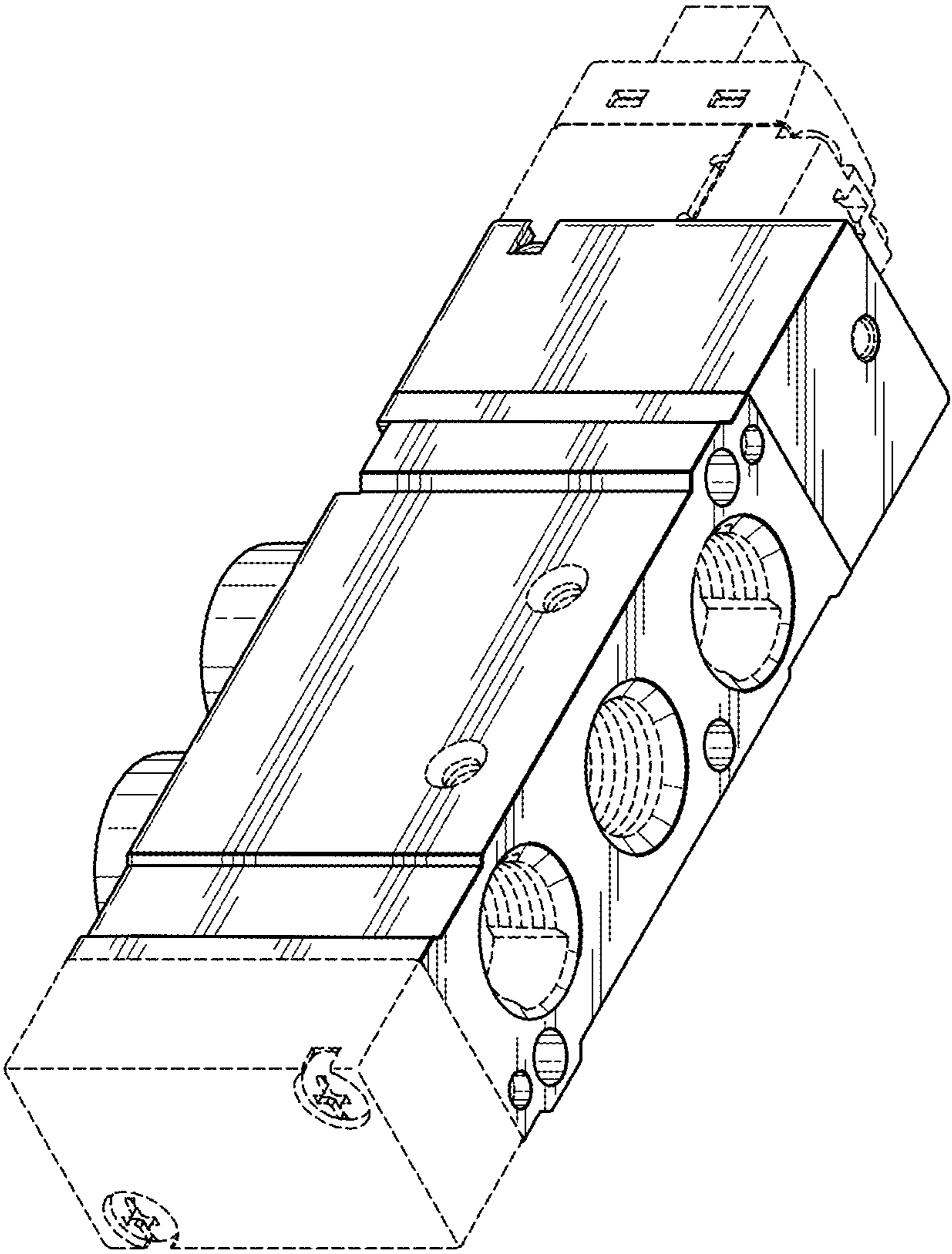


FIG. 2

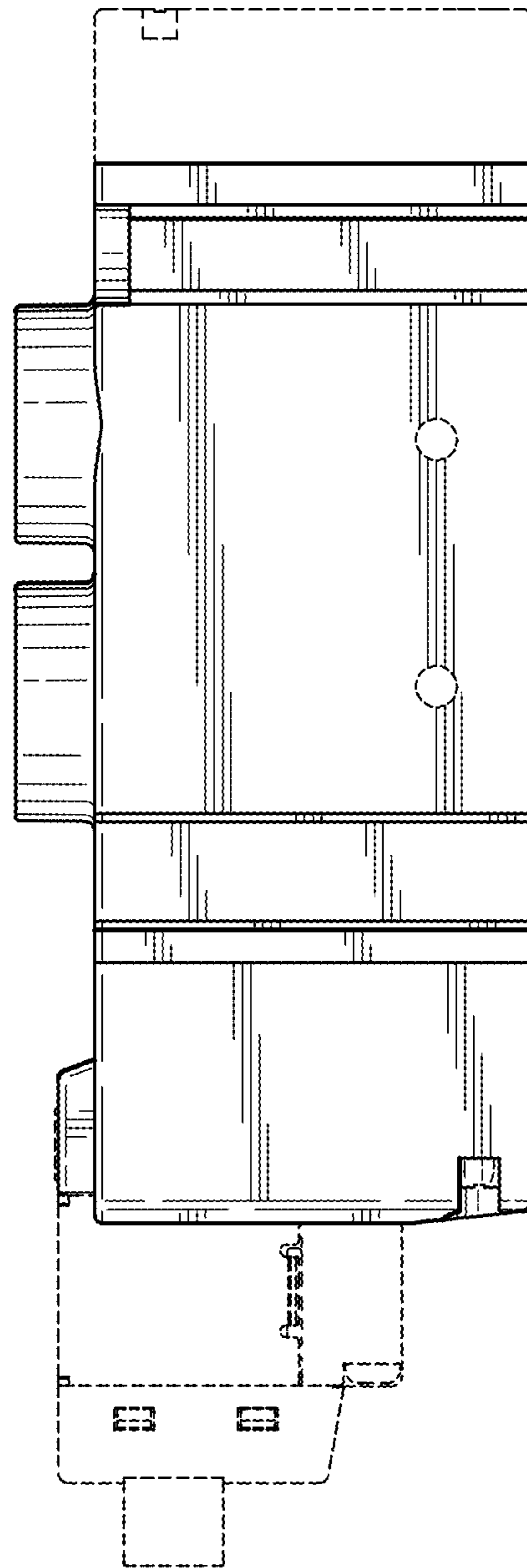


FIG. 3

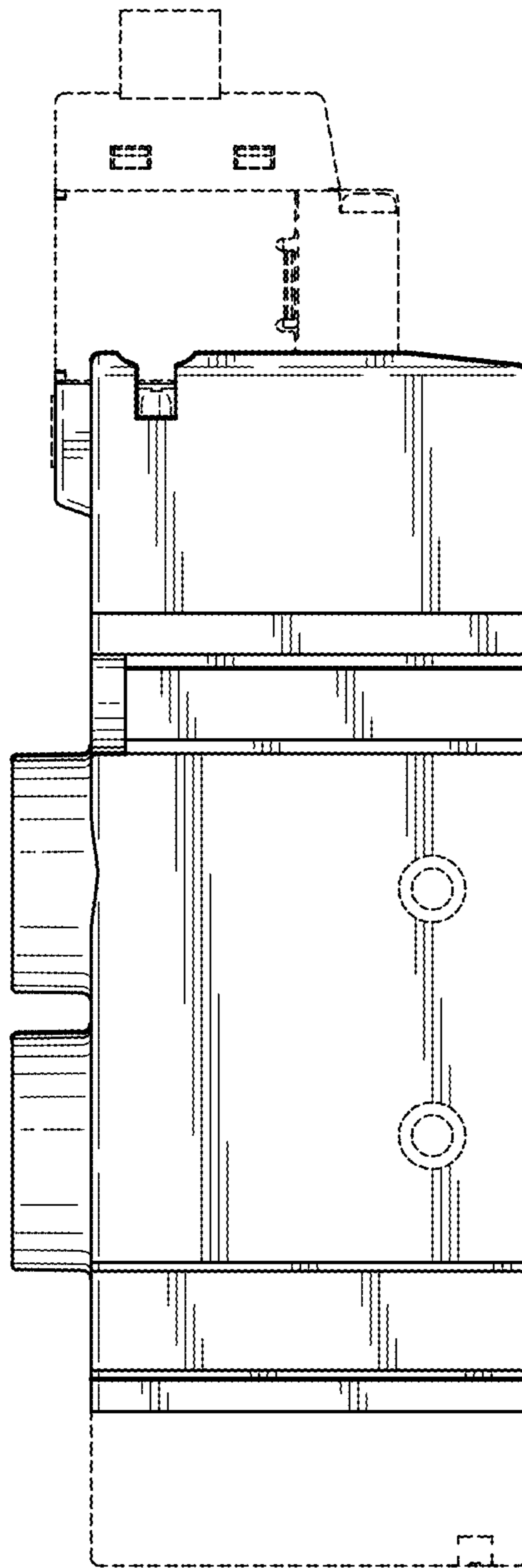


FIG. 4

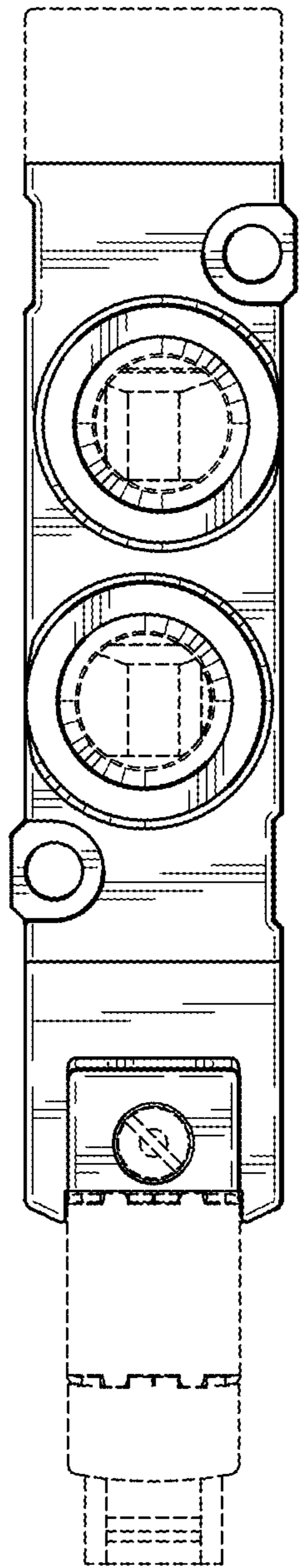


FIG. 5

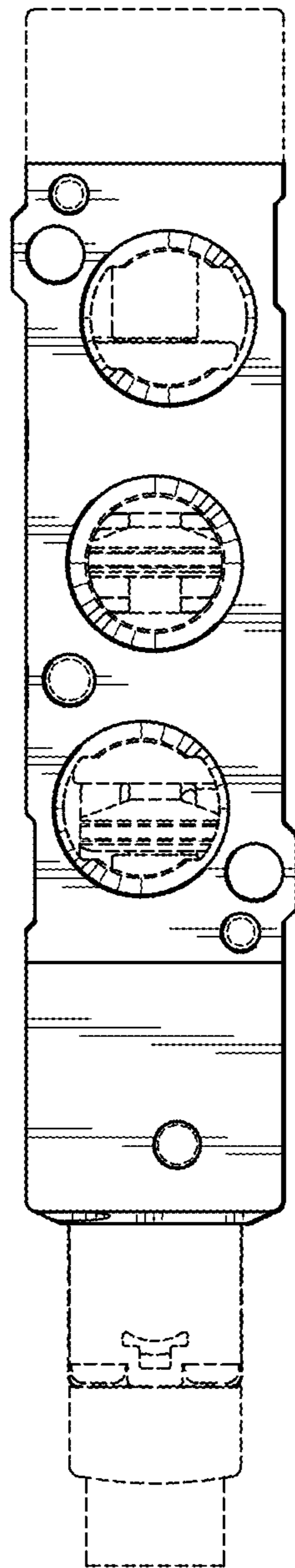


FIG. 6

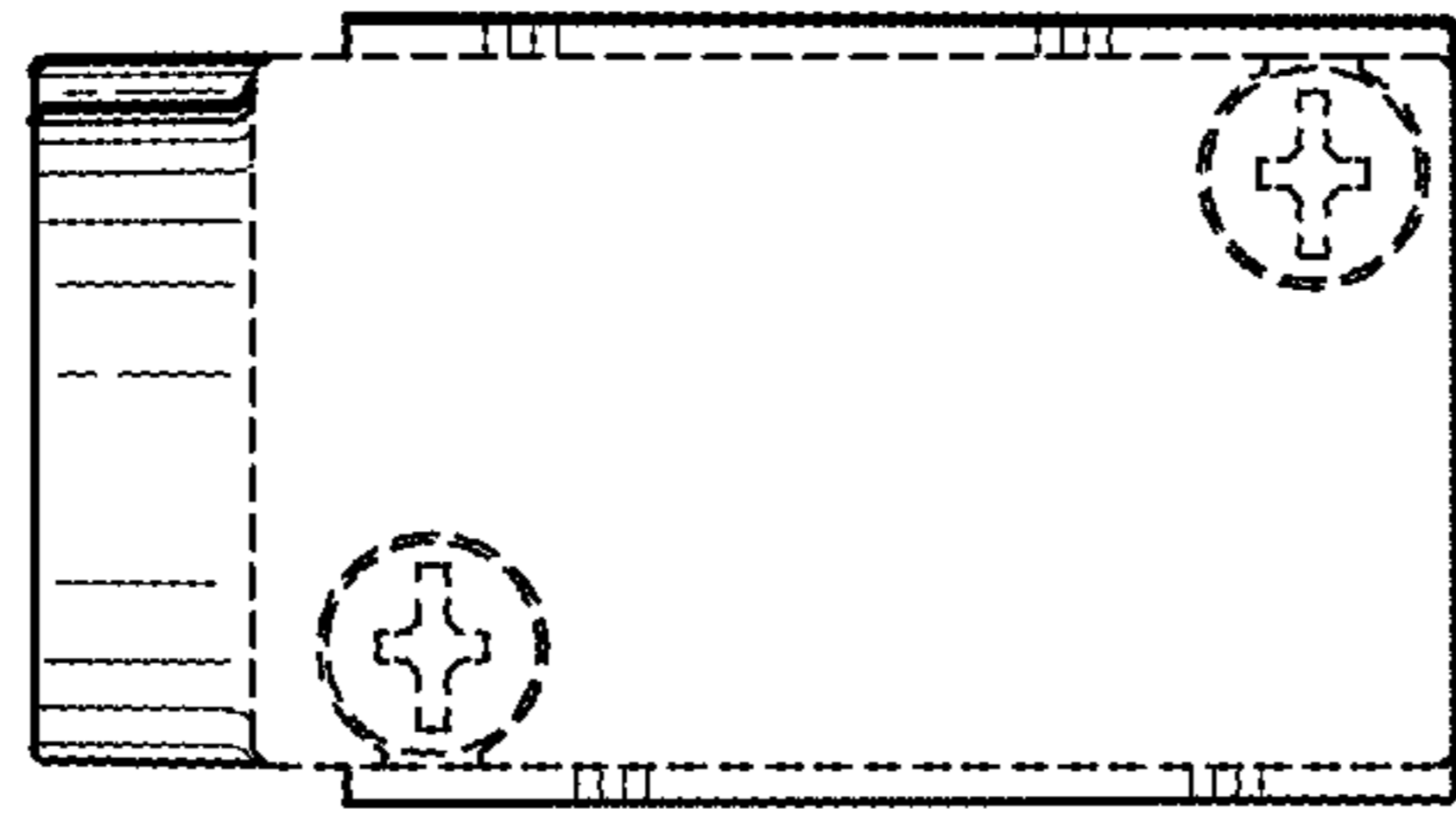


FIG. 8

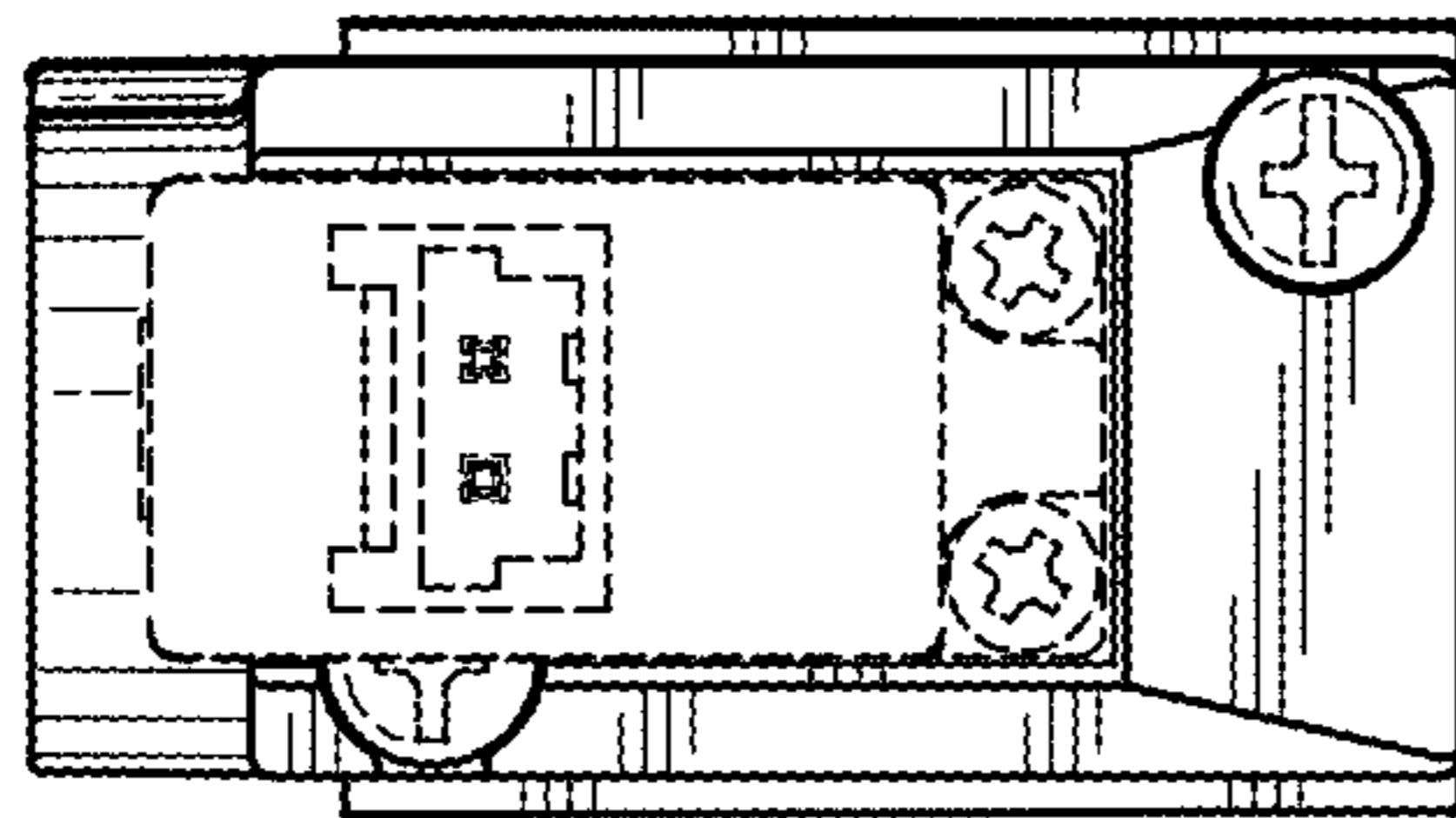


FIG. 7