



US00D918341S

(12) **United States Design Patent**  
**Wang**

(10) **Patent No.:** **US D918,341 S**

(45) **Date of Patent:** **\*\* May 4, 2021**

(54) **SPRAYER**

(71) Applicant: **Shanxi Pinchu Technology Co., Ltd.**,  
Taiyuan (CN)

(72) Inventor: **Xiu'e Wang**, Taiyuan (CN)

(\*\*) Term: **15 Years**

(21) Appl. No.: **29/760,112**

(22) Filed: **Nov. 30, 2020**

(30) **Foreign Application Priority Data**

Sep. 22, 2020 (EM) ..... 008175715-0002

(51) **LOC (13) Cl.** ..... **23-01**

(52) **U.S. Cl.**  
USPC ..... **D23/225**

(58) **Field of Classification Search**  
USPC ..... D23/225, 226, 229  
See application file for complete search history.

(56) **References Cited**

**U.S. PATENT DOCUMENTS**

- 4,036,438 A \* 7/1977 Soderlind ..... B05B 9/0861  
239/288.5
- D318,317 S \* 7/1991 Norman ..... D23/225
- D322,655 S \* 12/1991 Fletcher ..... D23/225
- 5,183,206 A \* 2/1993 Gavin ..... B05B 7/1418  
239/317
- D334,615 S \* 4/1993 Berfield ..... D23/226
- D471,252 S \* 3/2003 Jeng ..... D23/226
- D630,708 S \* 1/2011 Blenkush ..... D23/225
- D651,691 S \* 1/2012 Muetzel ..... D23/225
- D653,305 S \* 1/2012 Hudson et al.
- D692,095 S \* 10/2013 Hines ..... D23/225
- D709,988 S \* 7/2014 Ford ..... D23/213
- D713,001 S 9/2014 Voelker et al.

D742,998 S \* 11/2015 Gooden ..... B05B 7/2443  
D23/225

D746,946 S 1/2016 Naslund  
D767,095 S \* 9/2016 Kuznik ..... D23/226  
D827,775 S \* 9/2018 Schneider ..... D23/225

**FOREIGN PATENT DOCUMENTS**

KR 3020170035055 \* 3/2018

**OTHER PUBLICATIONS**

Yattich paint sprayer found on Mar. 3, 2021 at <https://www.amazon.com/YATTICH-Sprayer-Patterns-Furniture-Cabinets/dp/B089YV1D4K/> (Year: 2020).\*

\* cited by examiner

*Primary Examiner* — Karen S Acker  
*Assistant Examiner* — Jonathan Emil Fiencke

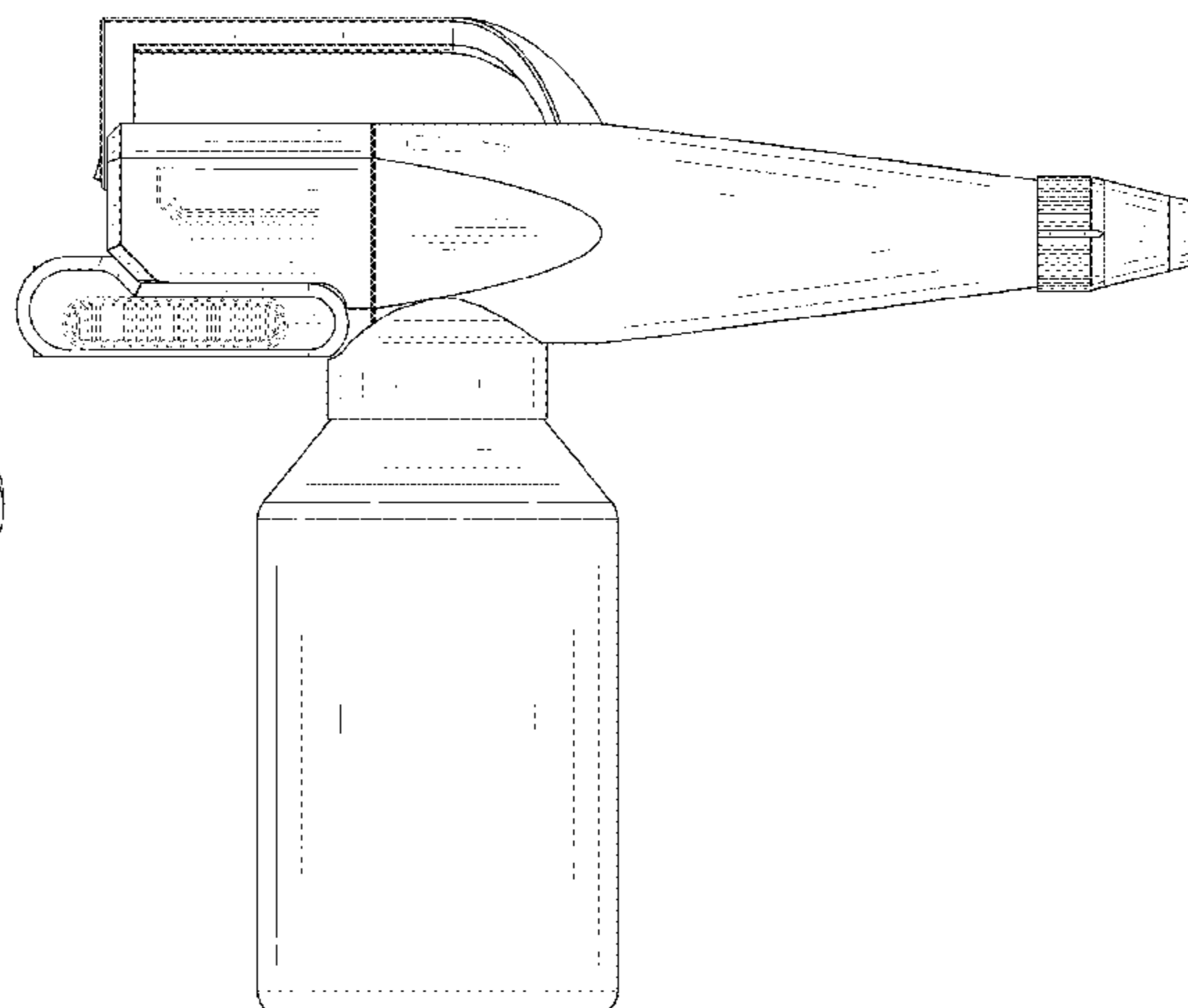
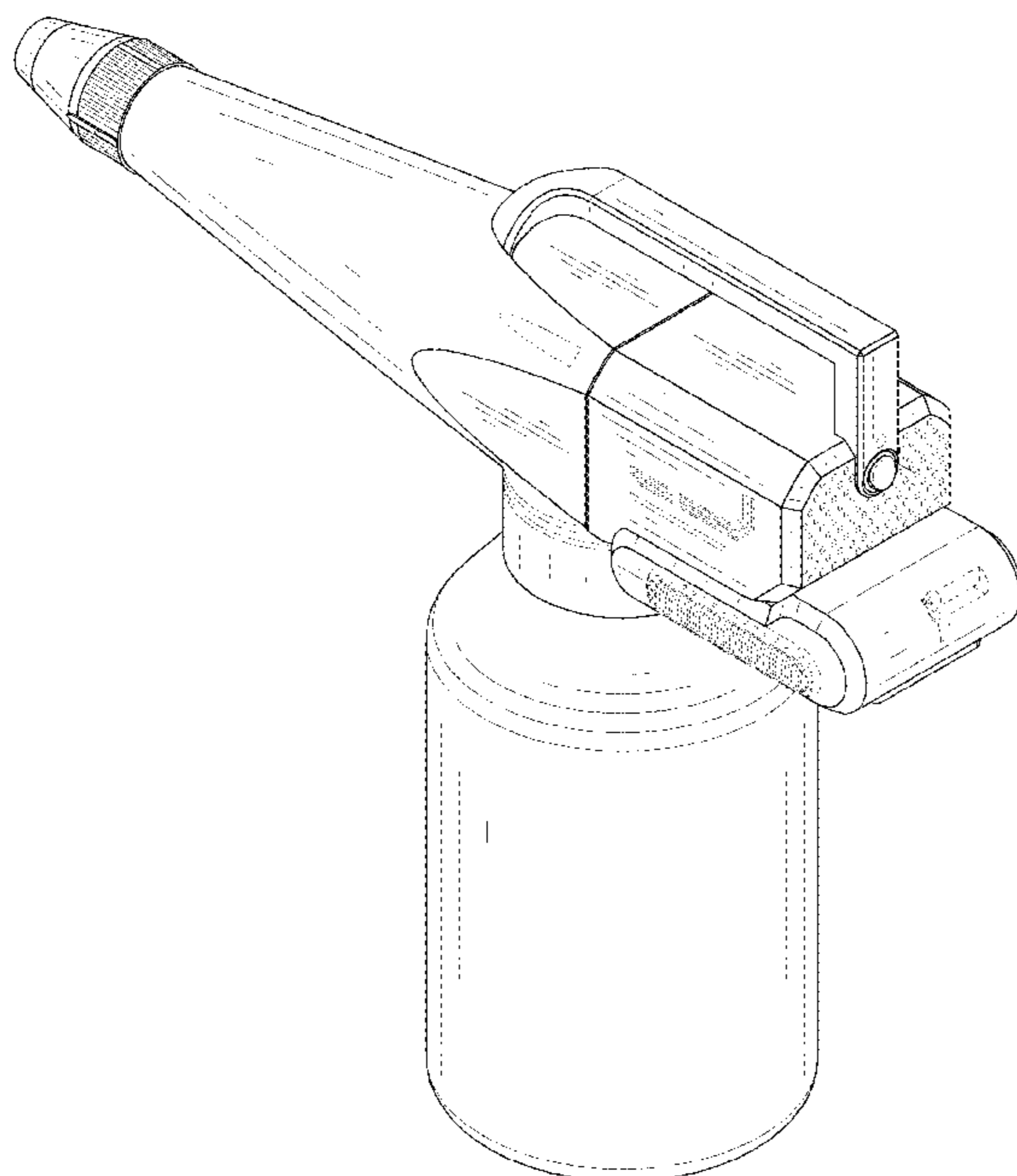
(57) **CLAIM**

The ornamental design for a sprayer, as shown and described.

**DESCRIPTION**

FIG. 1 is a first perspective view of a sprayer showing my new design;  
FIG. 2 is a second perspective view thereof;  
FIG. 3 is a front view thereof;  
FIG. 4 is a back view thereof;  
FIG. 5 is a left side view thereof;  
FIG. 6 is a right side view thereof;  
FIG. 7 is a top view thereof; and,  
FIG. 8 is a bottom view thereof.  
The broken lines shown in the drawings depict portions of the sprayer that form no part of the claimed design.

**1 Claim, 8 Drawing Sheets**



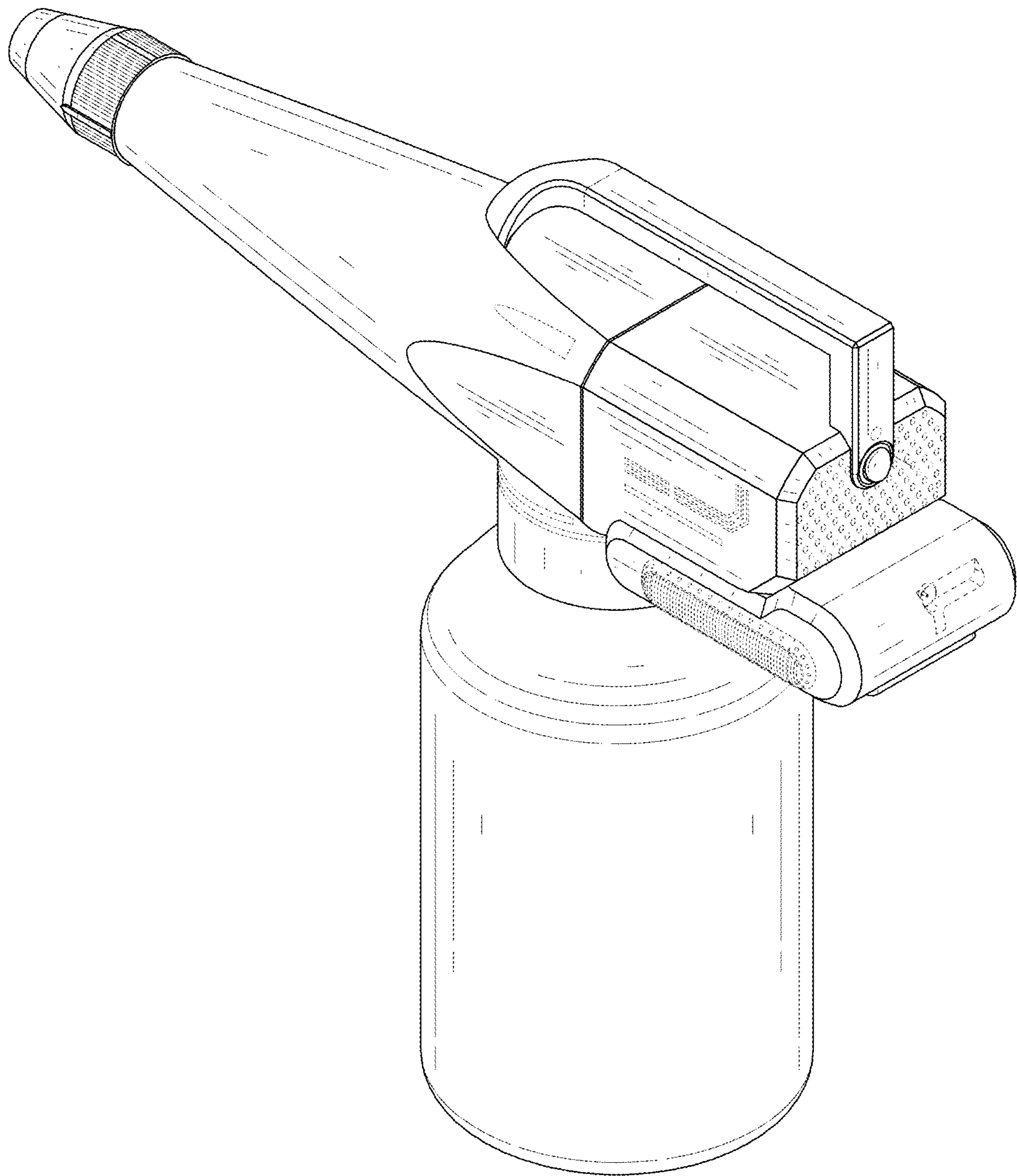


FIG. 1

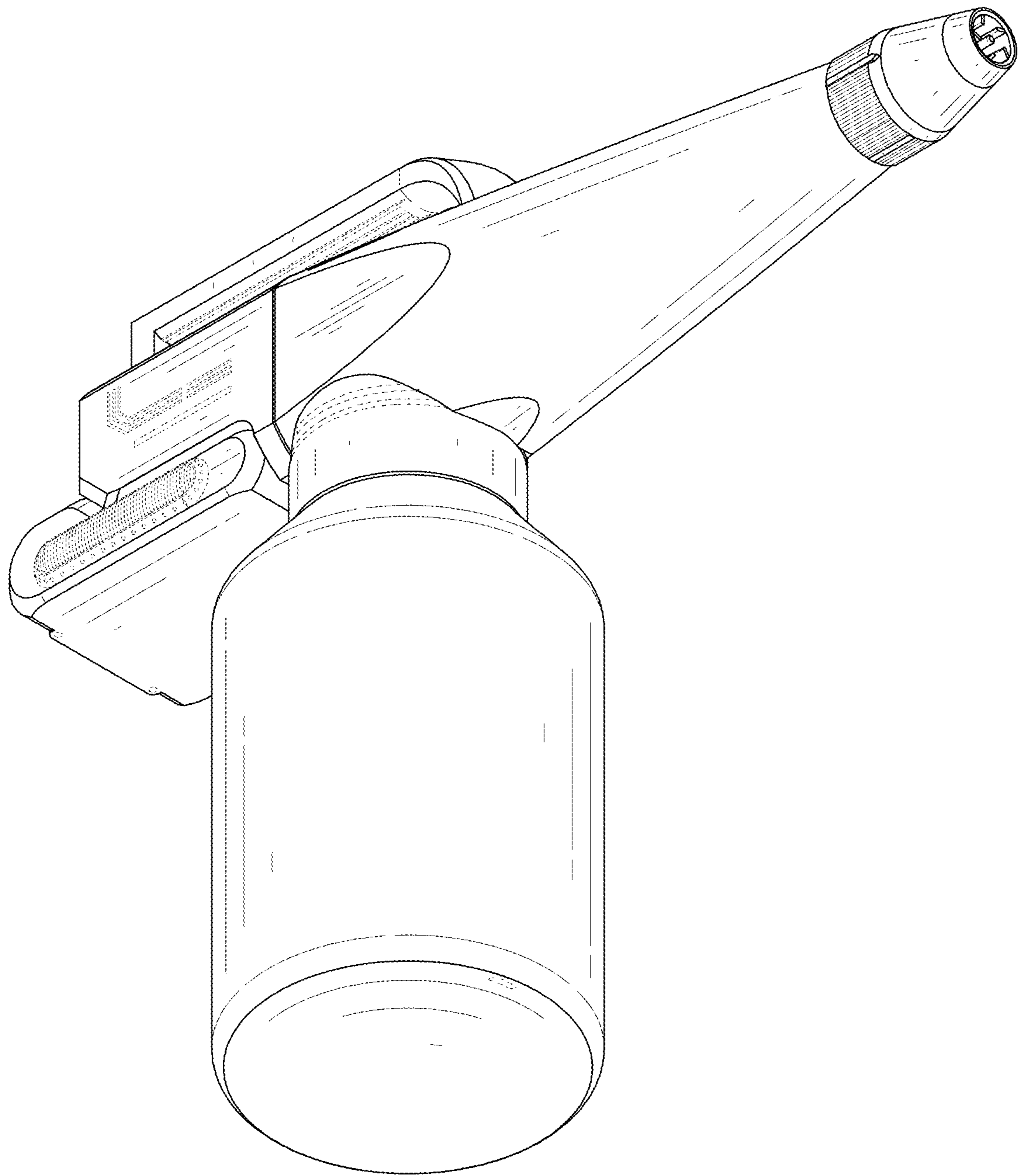


FIG. 2

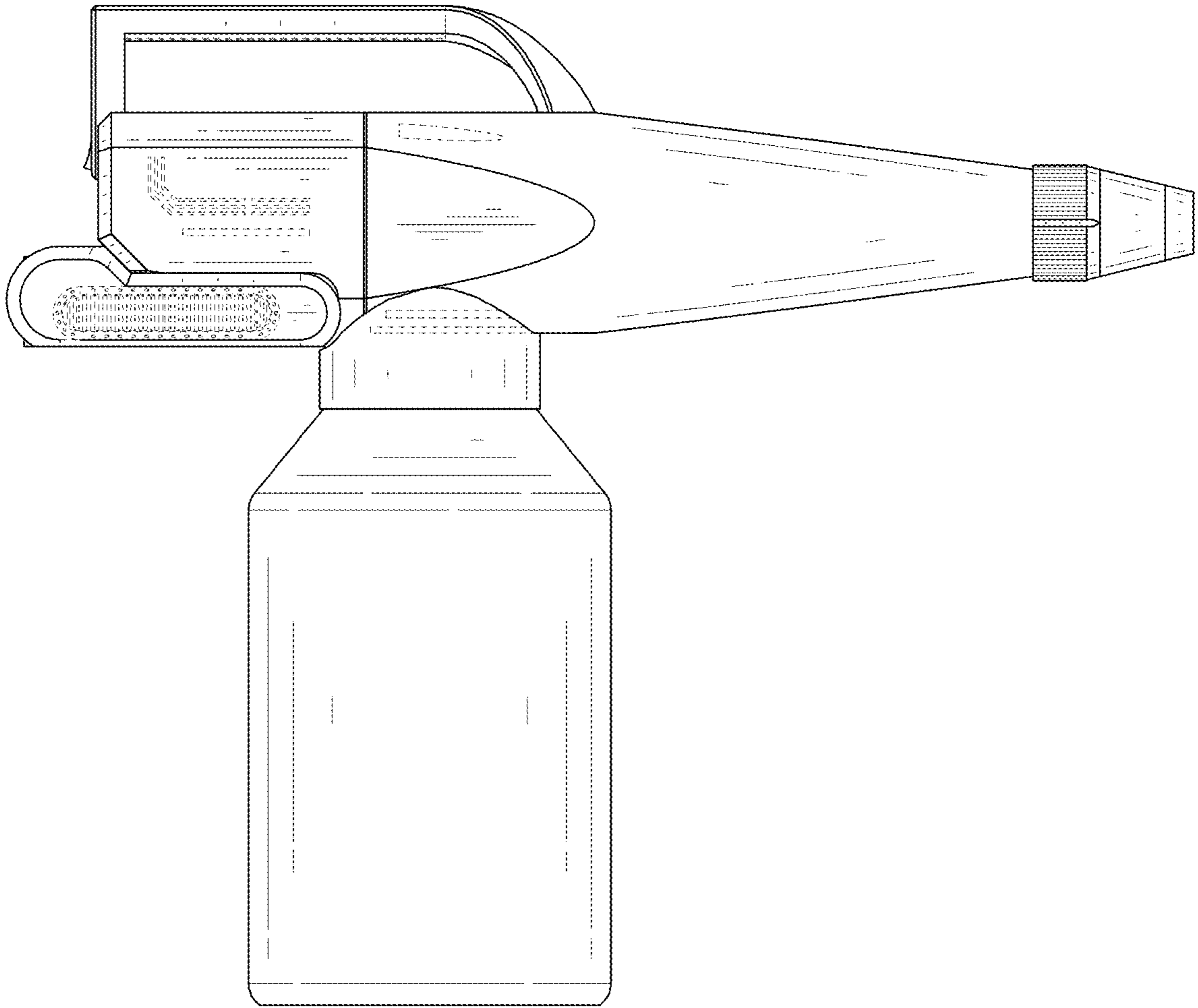


FIG. 3

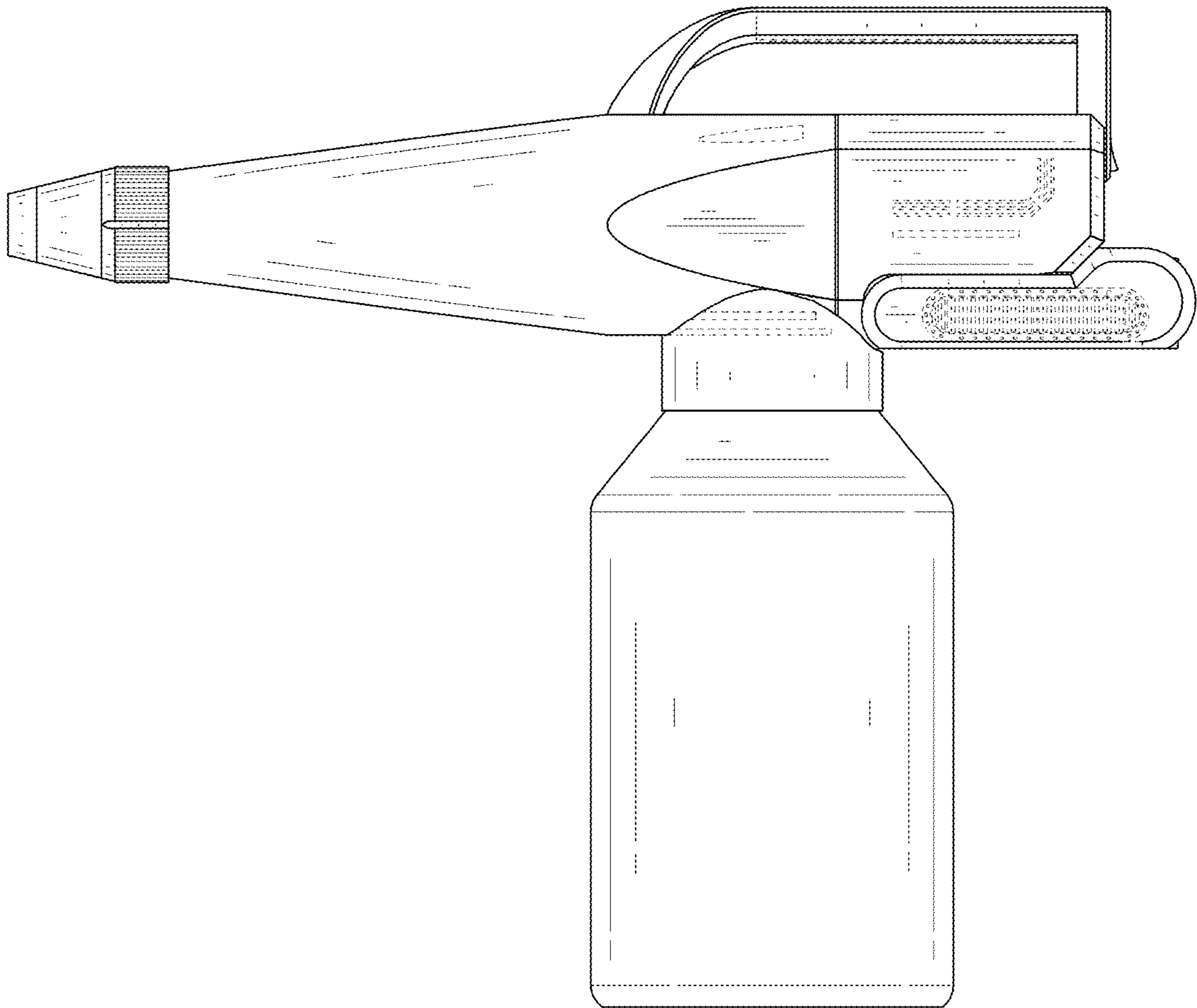


FIG. 4

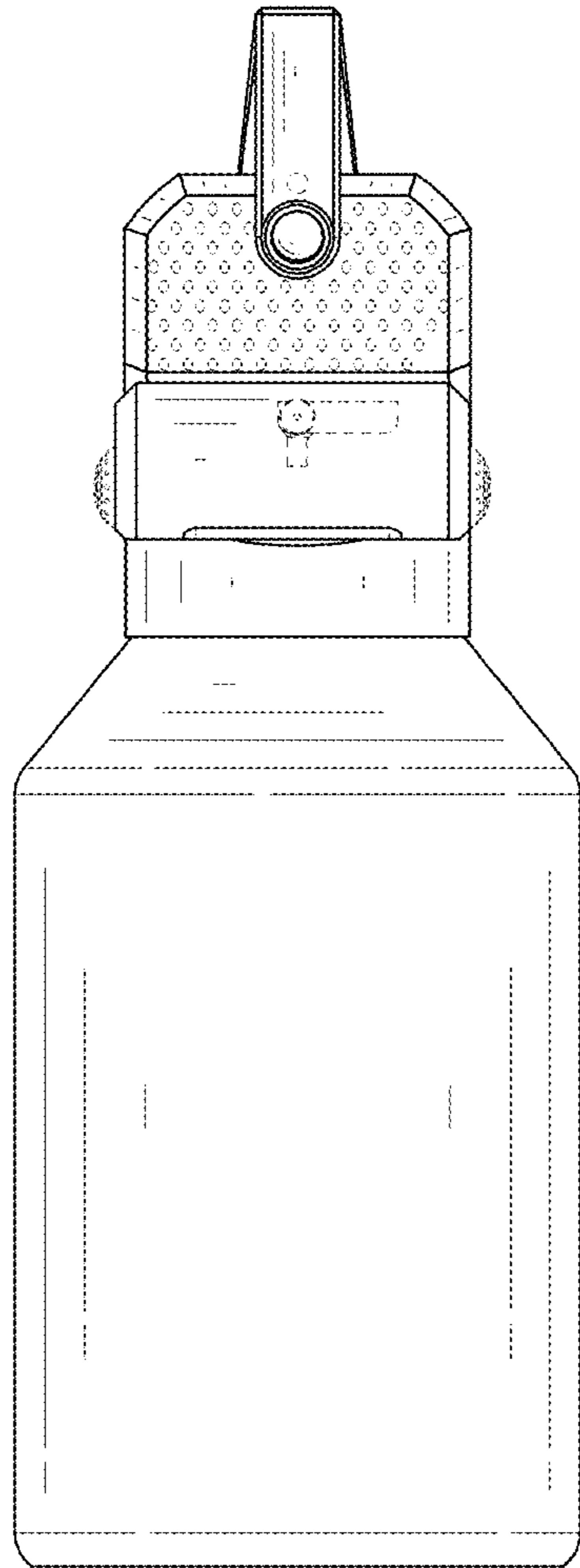


FIG. 5

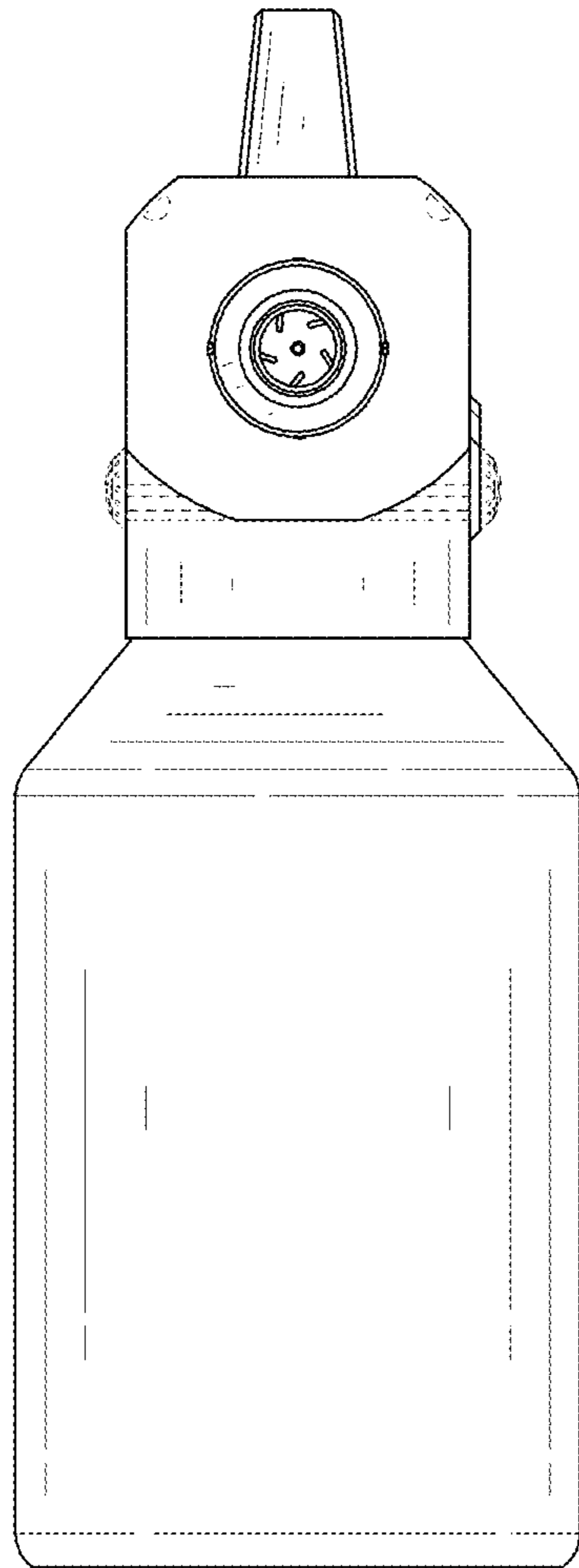


FIG. 6

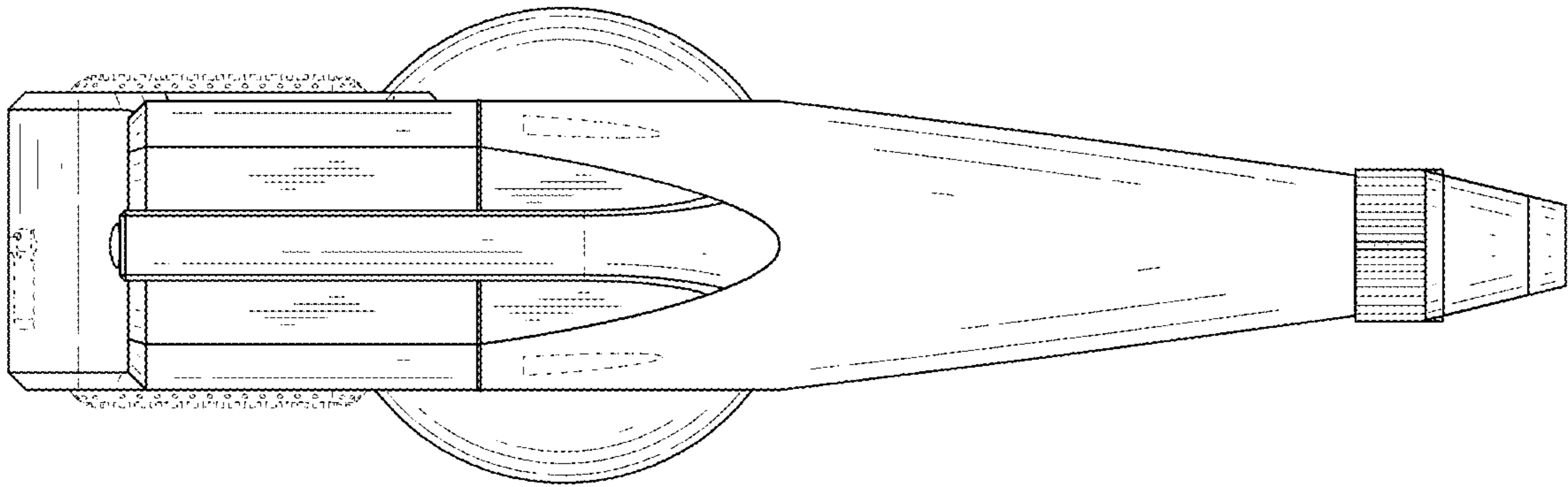


FIG. 7



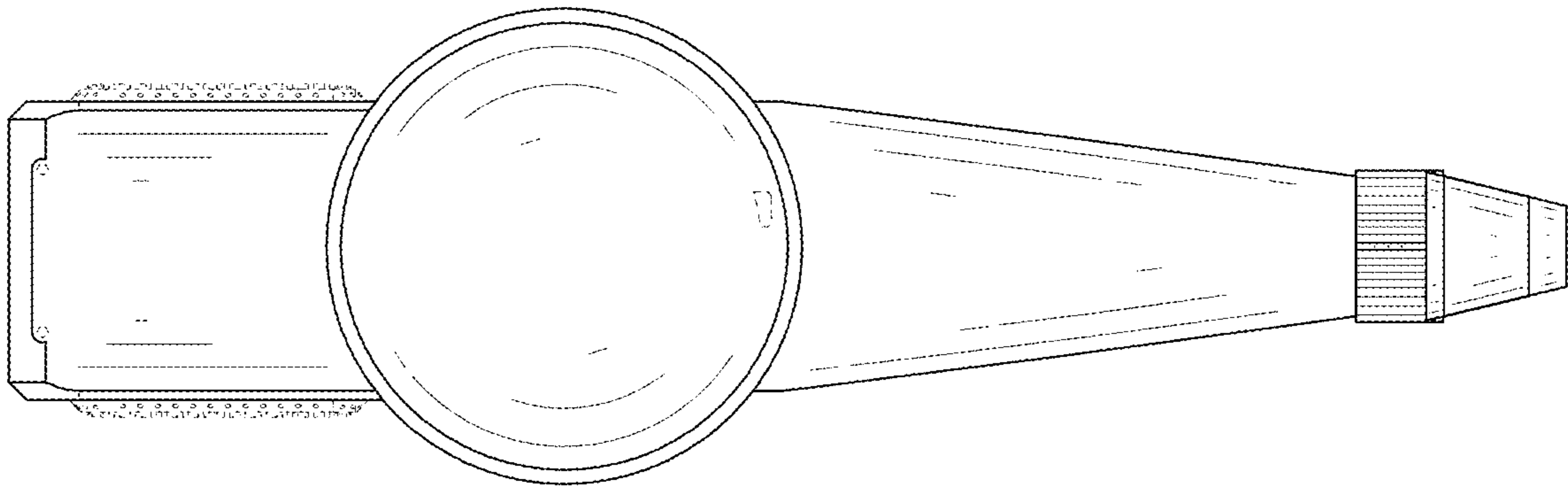


FIG. 8