



US00D918340S

(12) **United States Design Patent** (10) **Patent No.:** **US D918,340 S**
Zheng (45) **Date of Patent:** **** May 4, 2021**

(54) **PAINT CUP**
(71) Applicant: **Tony Zheng**, San Francisco, CA (US)
(72) Inventor: **Tony Zheng**, San Francisco, CA (US)
(**) Term: **15 Years**
(21) Appl. No.: **29/689,700**
(22) Filed: **May 1, 2019**
(51) **LOC (13) Cl.** **23-01**
(52) **U.S. Cl.**
USPC **D23/225**
(58) **Field of Classification Search**
USPC D19/104; D23/225; D32/53
CPC . B05B 11/3001; B05B 7/2408; B05B 7/2481;
B05B 7/2478; B05B 9/0861; B05B
7/2413; B05B 15/55; B01D 36/001; F16L
37/252
See application file for complete search history.

D692,530 S * 10/2013 Gehrung D23/225
D698,008 S * 1/2014 Schmon D23/225
D704,300 S * 5/2014 Li D23/225
9,878,336 B2 * 1/2018 Gehrung B05B 7/2408
D810,863 S * 2/2018 Hegdahl D23/225
D810,864 S * 2/2018 Hegdahl D23/225
D810,865 S * 2/2018 Hegdahl D23/225
D810,866 S * 2/2018 Hegdahl D23/225
D810,867 S * 2/2018 Hegdahl D23/225
D810,868 S * 2/2018 Hegdahl D23/225
D810,869 S * 2/2018 Boothman D23/225
D813,985 S * 3/2018 Hegdahl D23/225
2003/0213857 A1 * 11/2003 Schmon B05B 7/2478
239/302
2004/0069791 A1 * 4/2004 Neal B05B 9/0861
220/630

(Continued)

OTHER PUBLICATIONS

Paint Cup https://www.alibaba.com/product-detail/Spray-gun-paint-mixing-cup_467798231.html (Year: 2020).*
(Continued)

Primary Examiner — Michelle E. Wilson
Assistant Examiner — Richard E Yenchesky
(74) *Attorney, Agent, or Firm* — Thomas Schneck

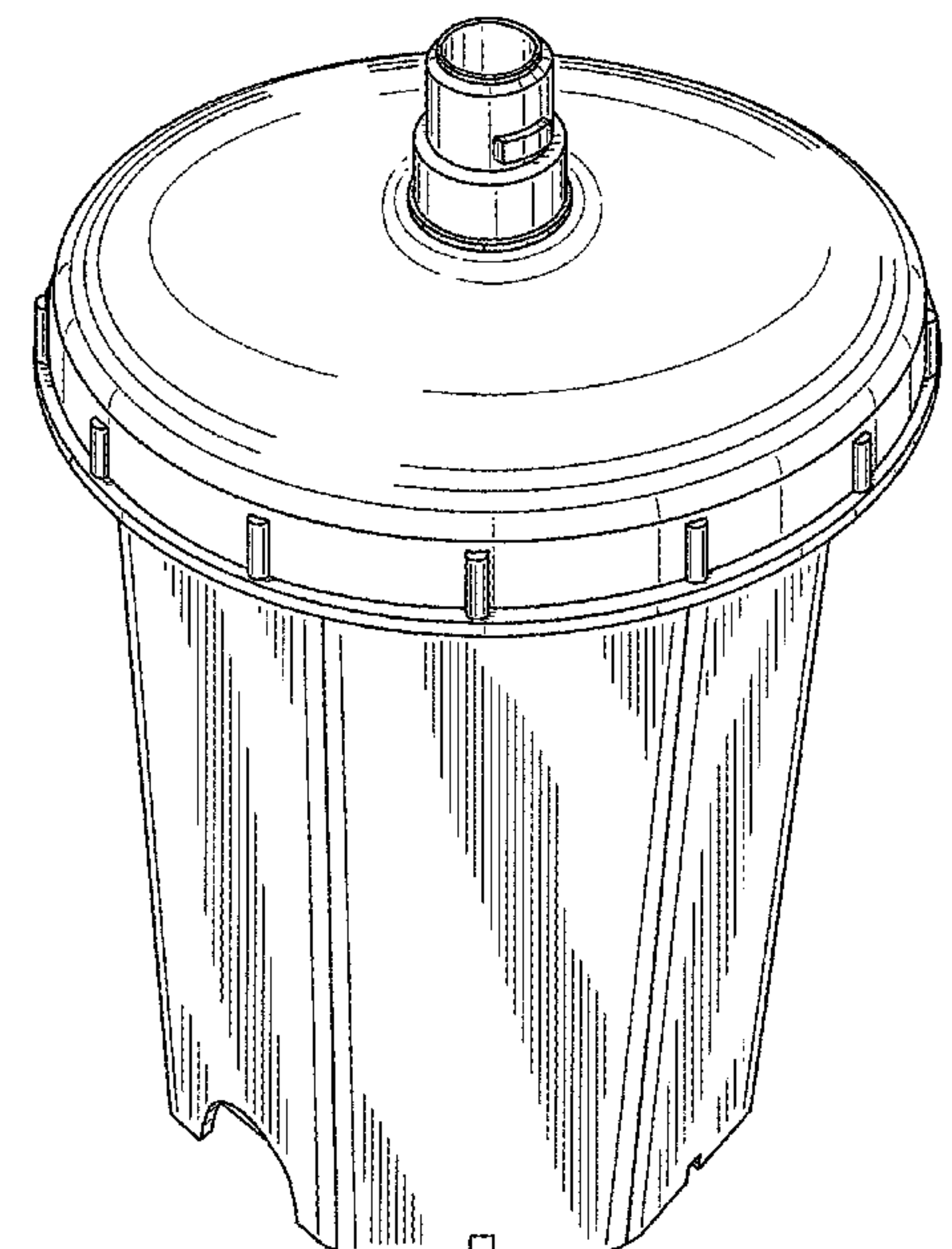
(56) **References Cited**
U.S. PATENT DOCUMENTS
D324,722 S * 3/1992 Nordeen D23/225
D346,851 S * 5/1994 Howe D23/225
5,582,350 A * 12/1996 Kosmyna B05B 15/55
239/345
6,536,684 B1 * 3/2003 Wei B05B 7/2413
239/302
6,698,670 B1 * 3/2004 Gosis B05B 7/2408
222/146.5
6,877,677 B2 4/2005 Schmon et al.
D530,370 S * 10/2006 Siegel D19/104
D574,926 S * 8/2008 Huang D23/225
7,568,638 B2 8/2009 Gehrung
7,798,426 B2 9/2010 Joseph et al.
7,810,744 B2 10/2010 Schmon et al.
8,267,332 B1 * 9/2012 Jones B05B 11/3001
239/463

(57) **CLAIM**
I claim the design for a paint cup, as shown and described.

DESCRIPTION

FIG. 1 is a front oblique perspective view of my design;
FIG. 2 is a front elevational view thereof;
FIG. 3 is a back elevational view thereof;
FIG. 4 is a right side view thereof;
FIG. 5 is a left view thereof;
FIG. 6 is a top view thereof; and,
FIG. 7 is a bottom view thereof.

1 Claim, 7 Drawing Sheets



(56)

References Cited

U.S. PATENT DOCUMENTS

2004/0251269 A1* 12/2004 Gosis B05B 7/2408
222/1
2005/0258271 A1* 11/2005 Kosmyna B05B 7/2408
239/327
2005/0263614 A1* 12/2005 Kosmyna B05B 7/2478
239/345
2006/0000927 A1* 1/2006 Ruda B05B 7/2478
239/345
2006/0049099 A1* 3/2006 Chang B01D 36/001
210/472
2006/0113409 A1* 6/2006 Camilleri B05B 7/2478
239/600
2006/0283861 A1* 12/2006 Kosmyna B05B 7/2478
220/495.02
2007/0241029 A1* 10/2007 Kosmyna B05B 7/2478
222/1
2008/0011879 A1* 1/2008 Gerson B05B 7/2478
239/337
2008/0116685 A1* 5/2008 Huang B05B 7/2478
285/148.19
2008/0128533 A1* 6/2008 Gehrung B05B 7/2408
239/348
2008/0272213 A1* 11/2008 Ting B05B 7/0815
239/461

2009/0014557 A1* 1/2009 Schmon B05B 7/2478
239/302
2009/0045623 A1* 2/2009 Schmon F16L 37/252
285/334
2009/0078789 A1* 3/2009 Kruse B05B 7/2478
239/345
2011/0174901 A1* 7/2011 Dettlaff B05B 7/2478
239/345
2012/0000992 A1* 1/2012 Shih B05B 7/2408
239/302
2012/0280062 A1* 11/2012 Pellegrino B05B 7/2408
239/302
2012/0280063 A1* 11/2012 Pellegrino B05B 7/2481
239/302
2013/0001322 A1* 1/2013 Pellegrino B05B 7/2408
239/302
2013/0168468 A1* 7/2013 Pellegrino B05B 7/2408
239/302

OTHER PUBLICATIONS

Spray Gun Cup <https://www.homedepot.com/p/Husky-600-cc-Spray-Gun-Cup-HDA12300/305171978> (Year: 2020).*
Disposal Paint Cup <https://www.repairtool.com.tw/disposal-paint-cup-with-adaptor-gck903216.html> (Year: 2020).*
Website printout: The Norton Paint System “Think outside the cup”, www.nortonautomotive.com, 5 pages.

* cited by examiner

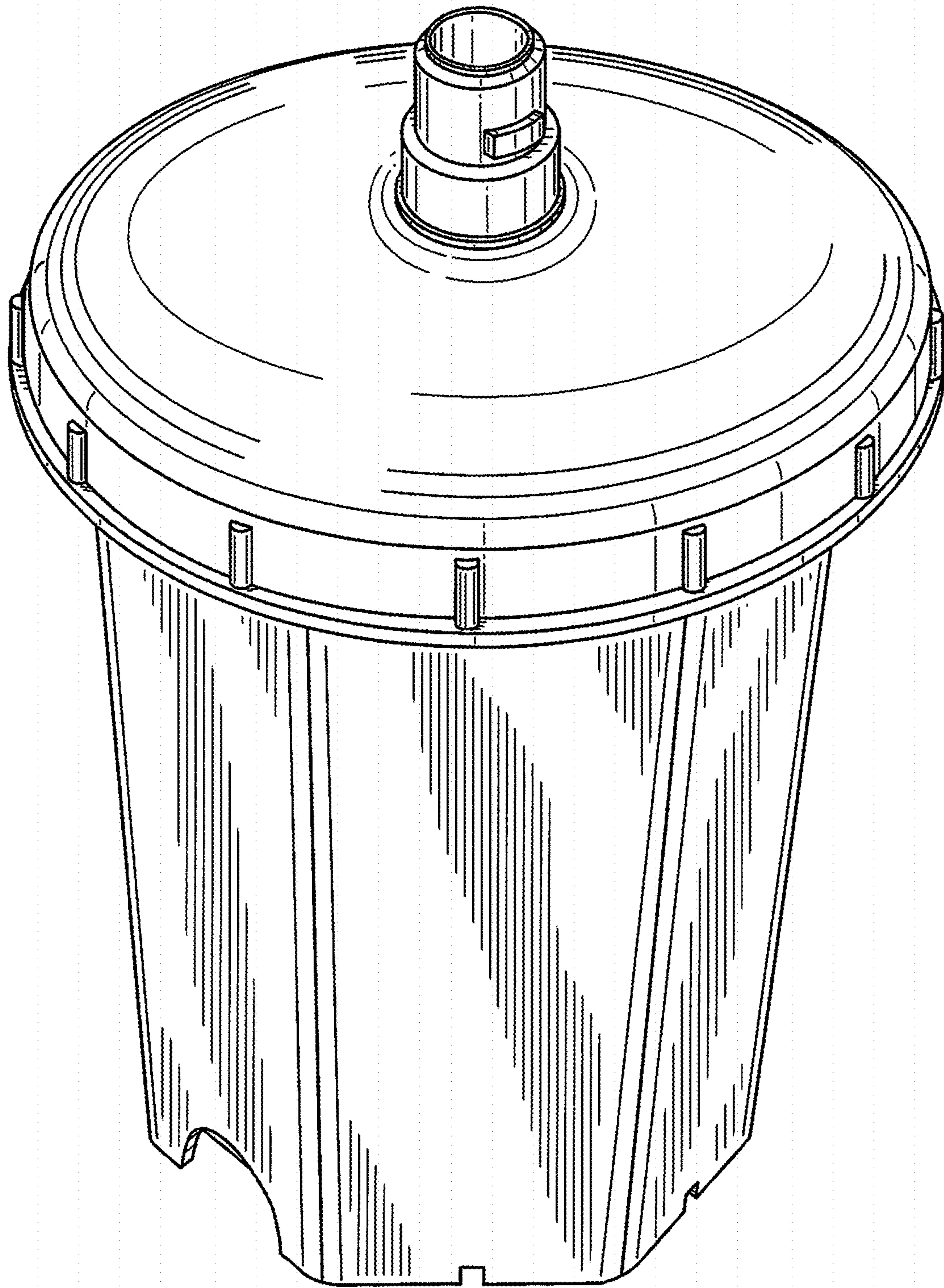


Fig. 1

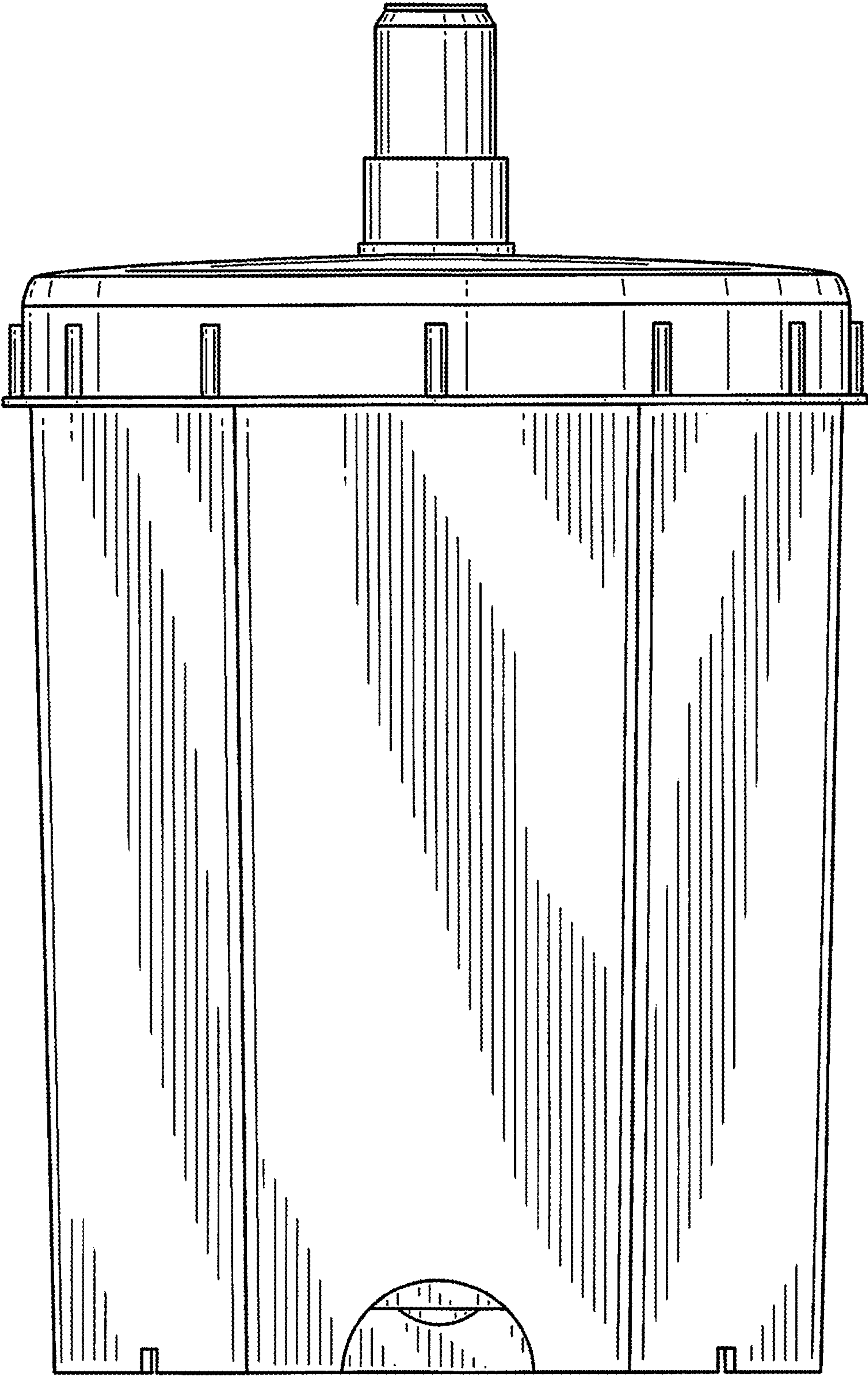


Fig. 2

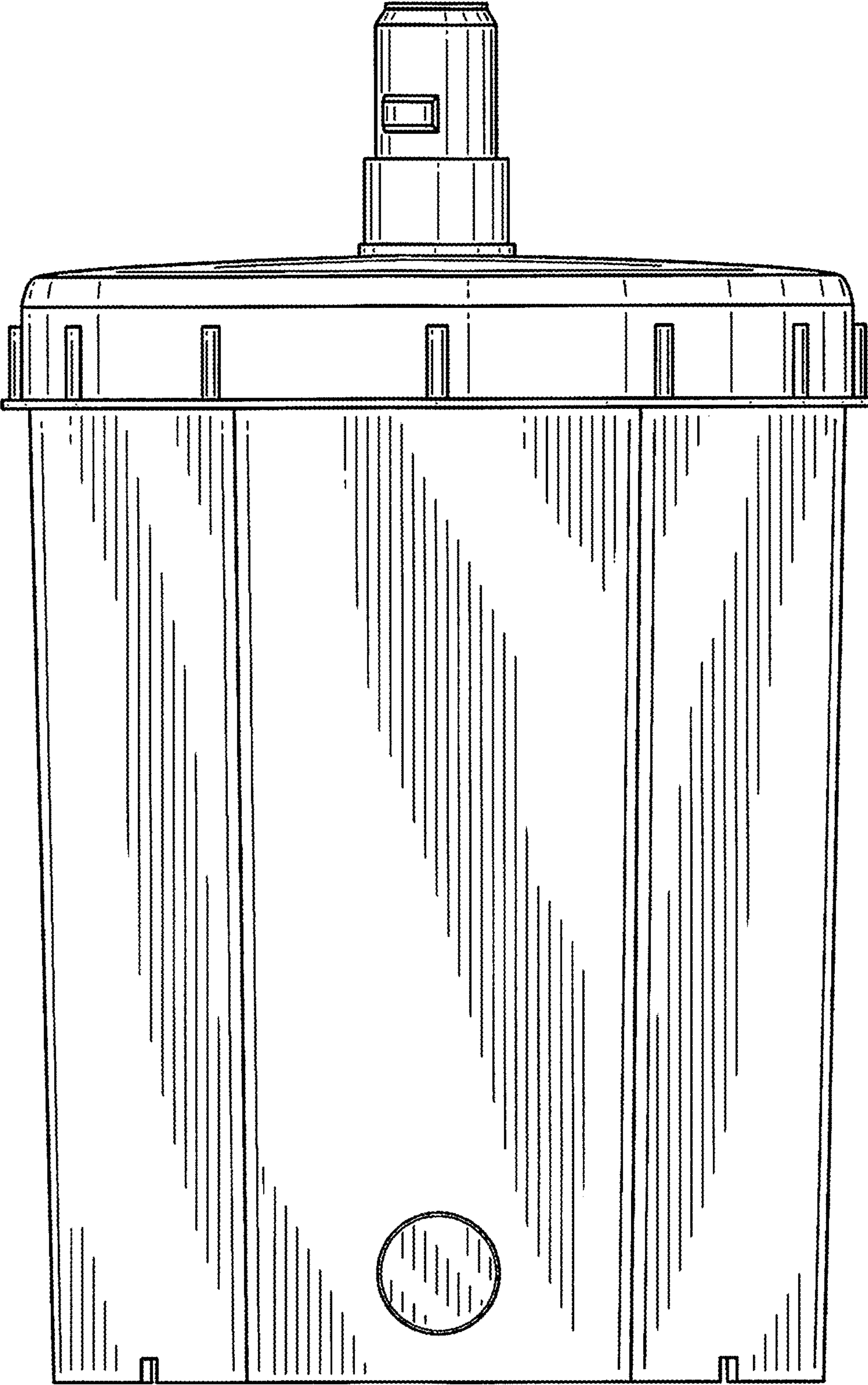


Fig. 3

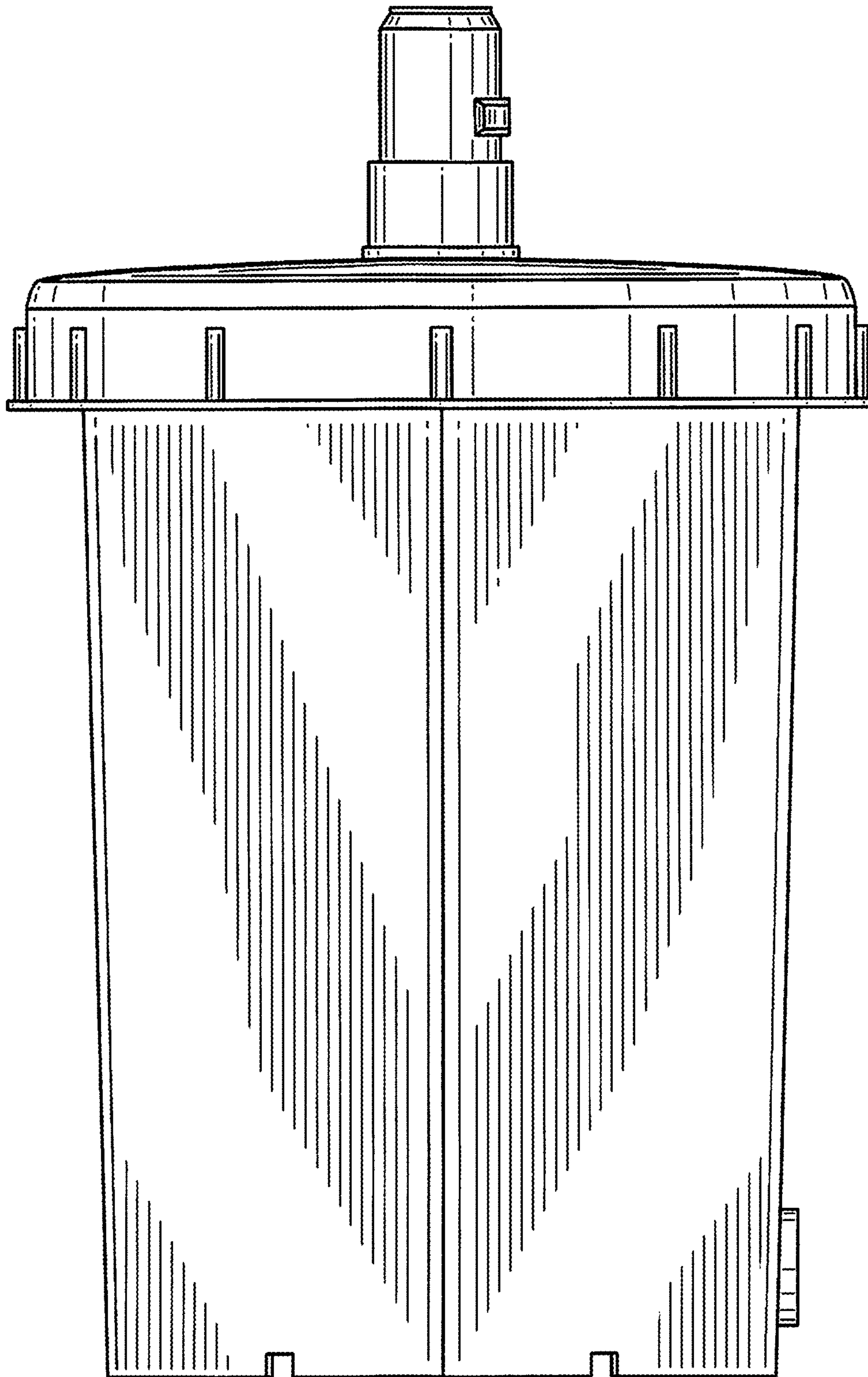


Fig. 4

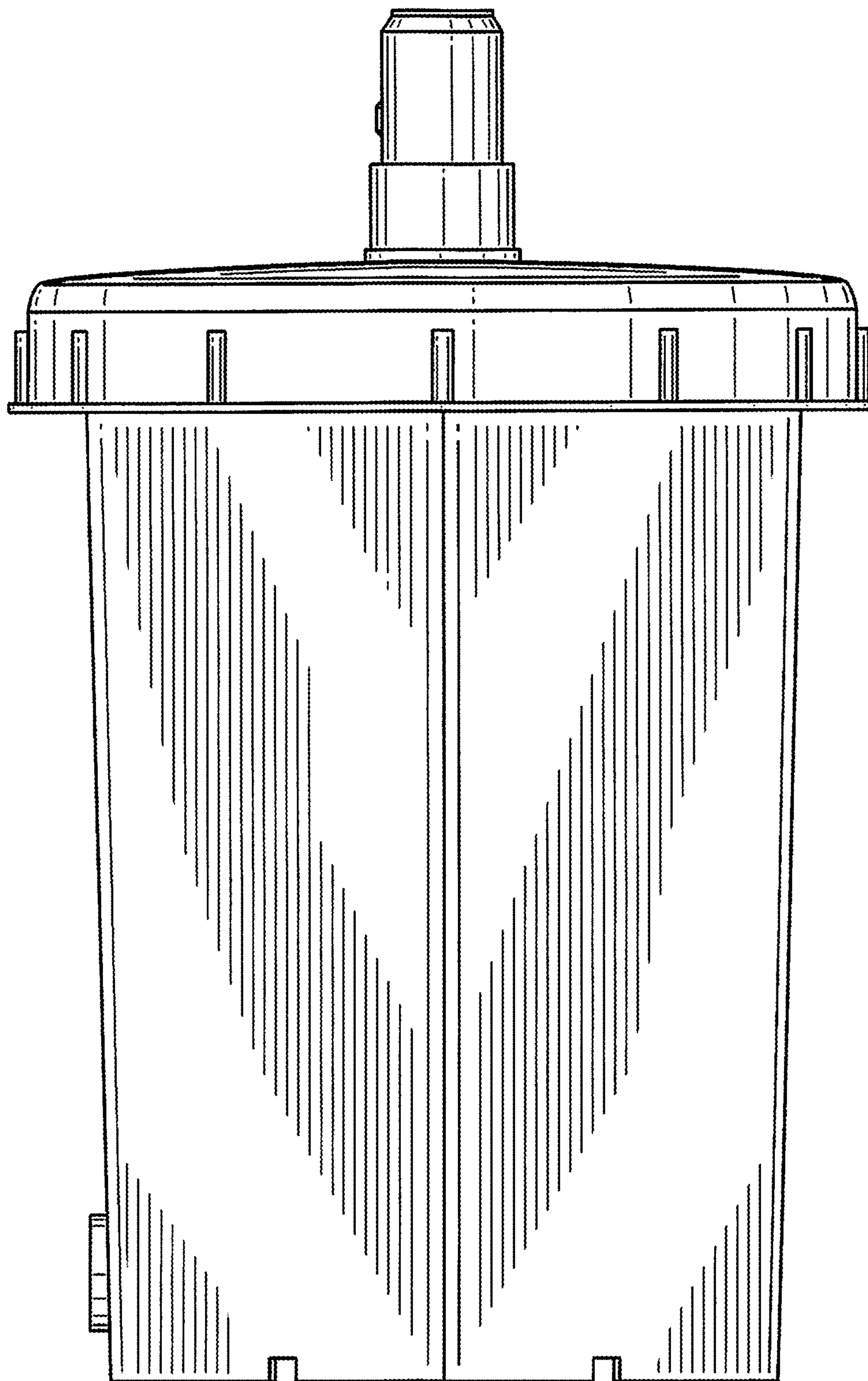


Fig. 5

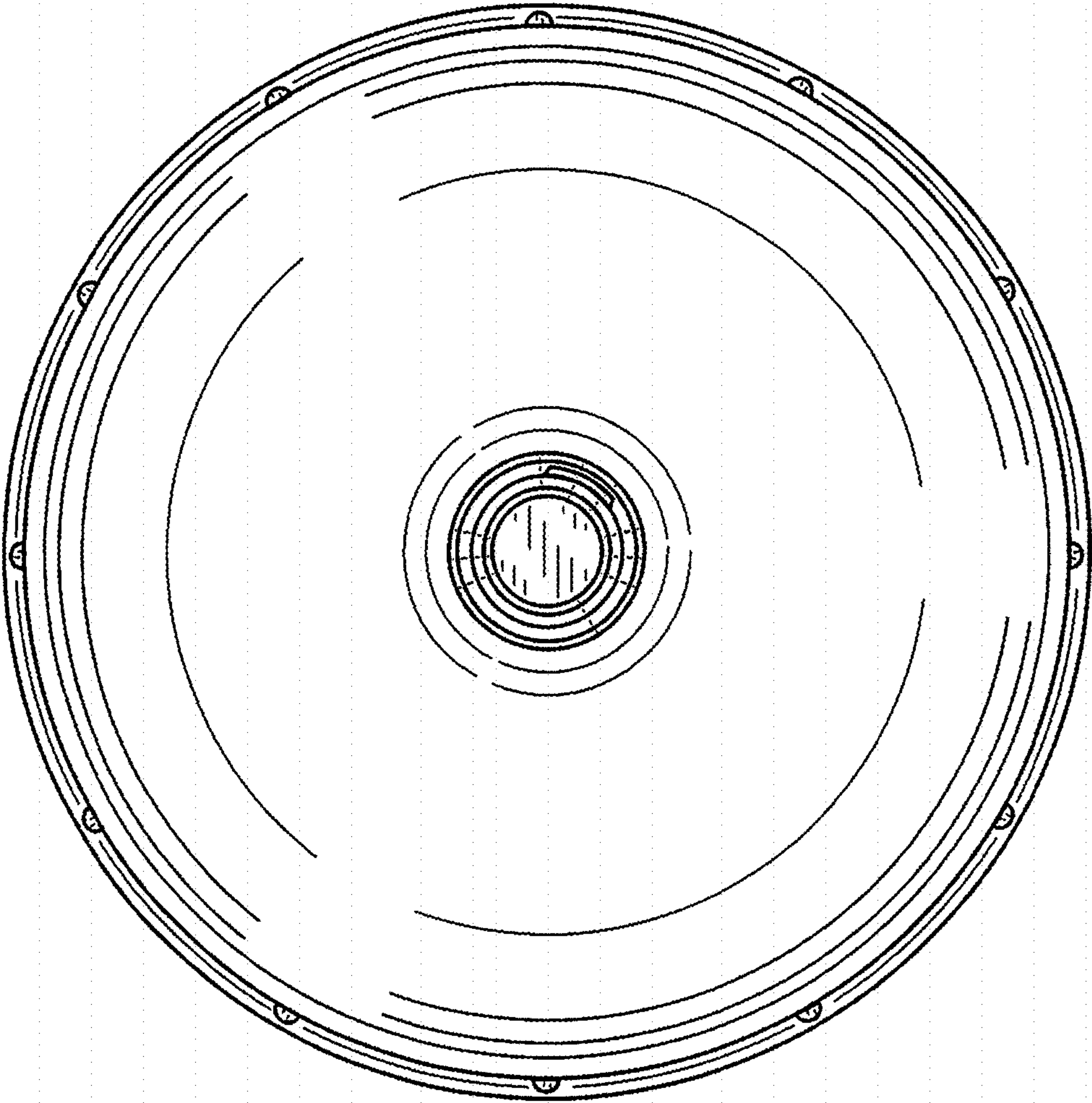


Fig. 6

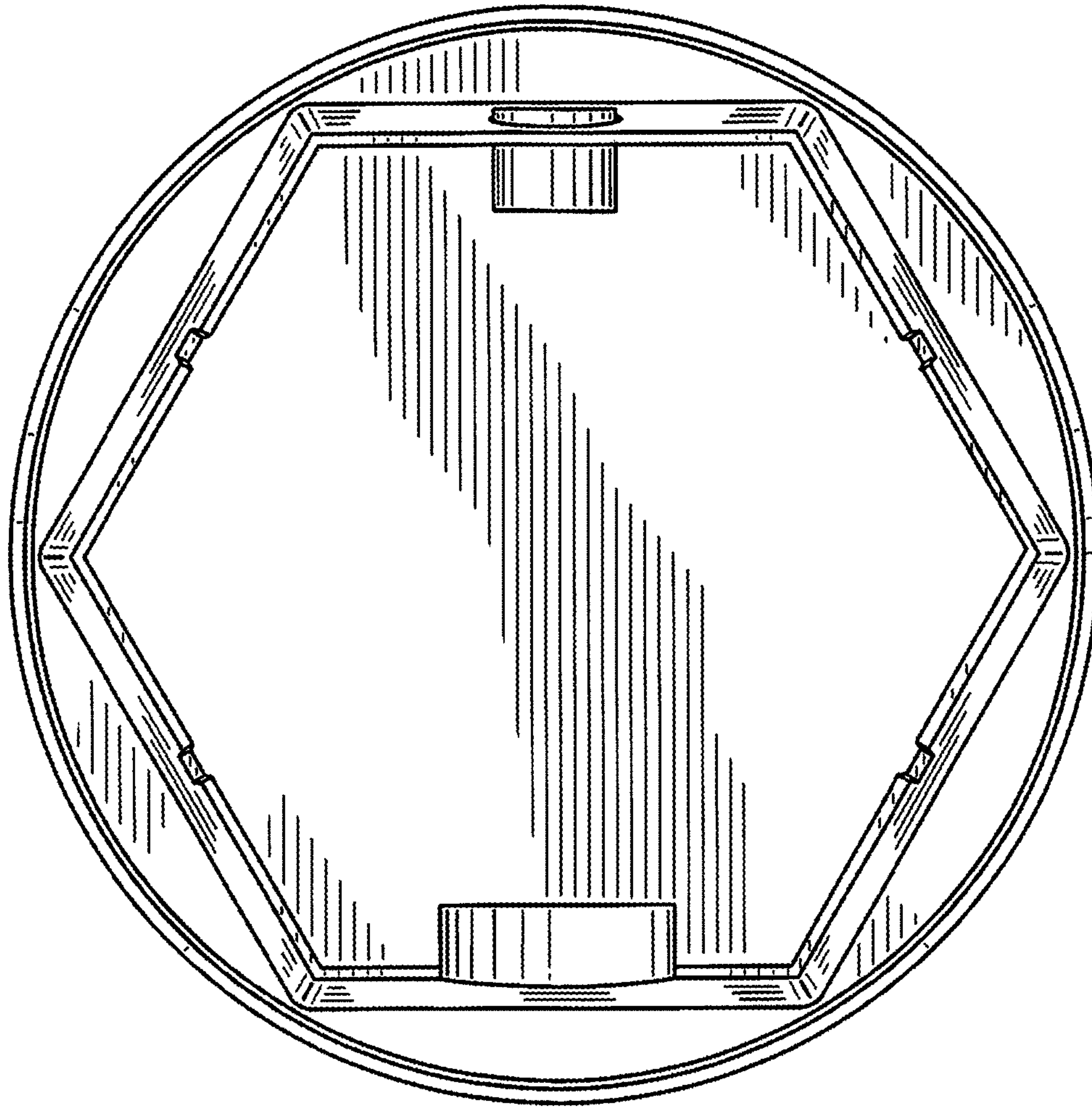


Fig. 7