



US00D918338S

(12) **United States Design Patent** (10) **Patent No.:** **US D918,338 S**  
**He et al.** (45) **Date of Patent:** **\*\* May 4, 2021**

(54) **MISTING KIT**

D481,103 S \* 10/2003 West ..... D23/214  
D488,208 S \* 4/2004 Cook ..... D23/214  
D687,514 S \* 8/2013 Burnell ..... D23/214  
9,138,757 B2 \* 9/2015 McLarty ..... A01G 25/02  
9,999,894 B2 \* 6/2018 Beckett ..... B05B 1/3026  
D825,290 S \* 8/2018 Lortscher ..... D8/1

(71) Applicant: **JIANGMEN KEYE ELECTRIC APPLIANCES MANUFACTURING CO., LTD**, Jiangmen (CN)

(72) Inventors: **Xiangming He**, Jiangmen (CN);  
**Guanglian Lin**, Jiangmen (CN)

(73) Assignee: **JIANGMEN KEYE ELECTRIC APPLIANCES MANUFACTURING CO., LTD**, Jiangmen (CN)

(\*\*) Term: **15 Years**

(21) Appl. No.: **29/715,132**

(22) Filed: **Nov. 27, 2019**

(30) **Foreign Application Priority Data**

Oct. 23, 2019 (CN) ..... 201930577170.X

(51) **LOC (13) Cl.** ..... **23-01**

(52) **U.S. Cl.**  
USPC ..... **D23/214**

(58) **Field of Classification Search**  
USPC ..... D23/213, 214, 215, 223, 224, 226, 229  
CPC ..... A61H 9/0021; A61H 33/00; B05B 1/00;  
B05B 1/14; B05B 1/185; B05B 1/08;  
B05B 1/02; B05B 1/26; B05B 12/002;  
B05B 1/18; B05B 9/01  
See application file for complete search history.

(56) **References Cited**

**U.S. PATENT DOCUMENTS**

D383,883 S \* 9/1997 Langley ..... D23/214  
D419,639 S \* 1/2000 Ormiston ..... D23/214

**OTHER PUBLICATIONS**

“Homenote Outdoor Misting Fan Kit” May 31, 2019, Amazon, site visited Jan. 4, 2021: <https://www.amazon.com/HOMENOTE-Outdoor-Misting-19-36FT-Nozzles/dp/B07QVHZ6PY/> (Year: 2019).\*

\* cited by examiner

*Primary Examiner* — Jack Reickel

*Assistant Examiner* — Keith J Wilson

(74) *Attorney, Agent, or Firm* — Innovation Capital Law Group, LLP; Vic Lin

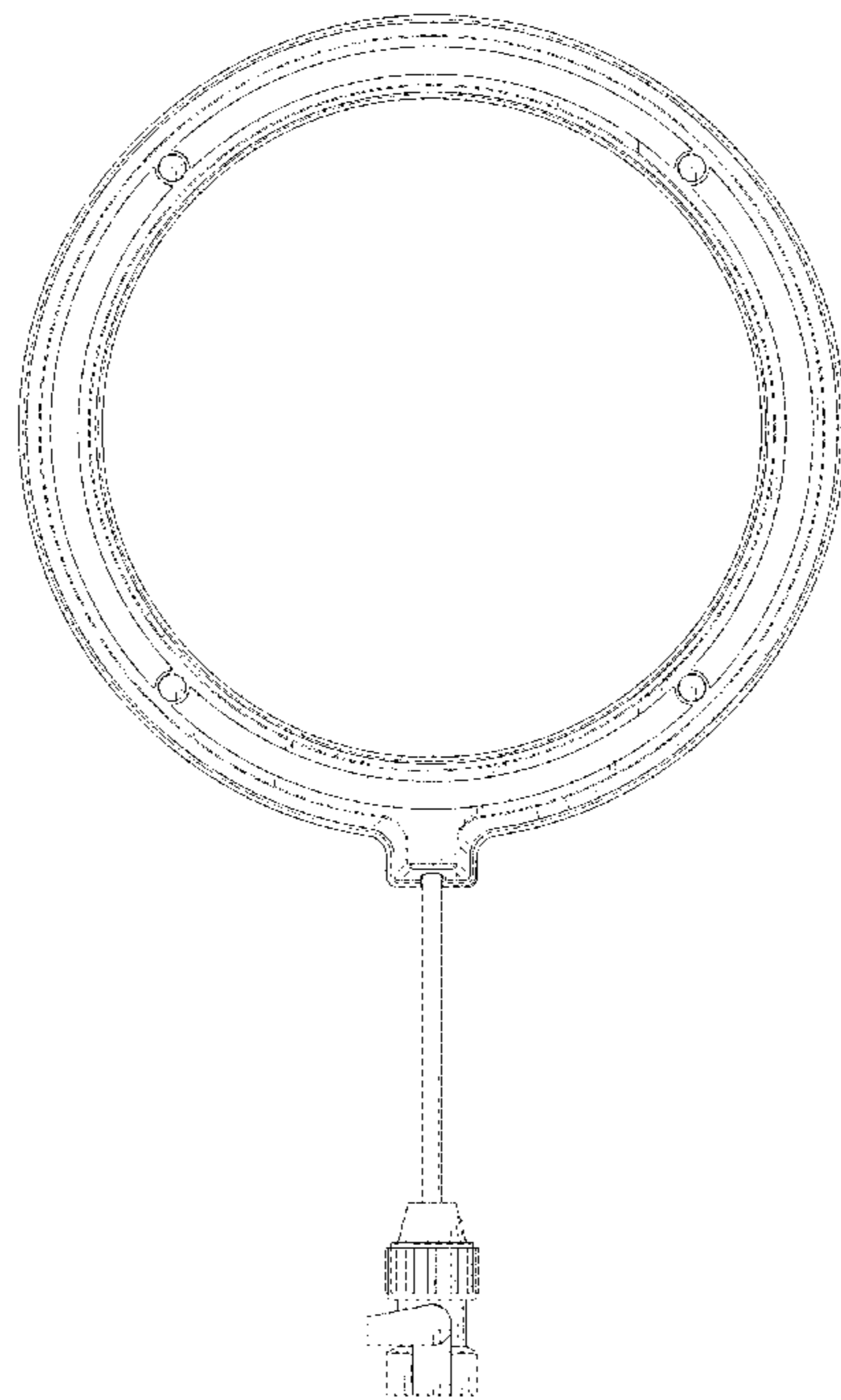
(57) **CLAIM**

The ornamental design for a misting kit, as shown and described.

**DESCRIPTION**

FIG. 1 is a front elevation view of a misting kit; FIG. 2 is a rear elevation view thereof; FIG. 3 is a right elevation view thereof; FIG. 4 is a left elevation view thereof; FIG. 5 is a top plan view thereof; FIG. 6 is a bottom plan view thereof; FIG. 7 is a front perspective view thereof; and, FIG. 8 is a rear perspective view thereof.

**1 Claim, 8 Drawing Sheets**



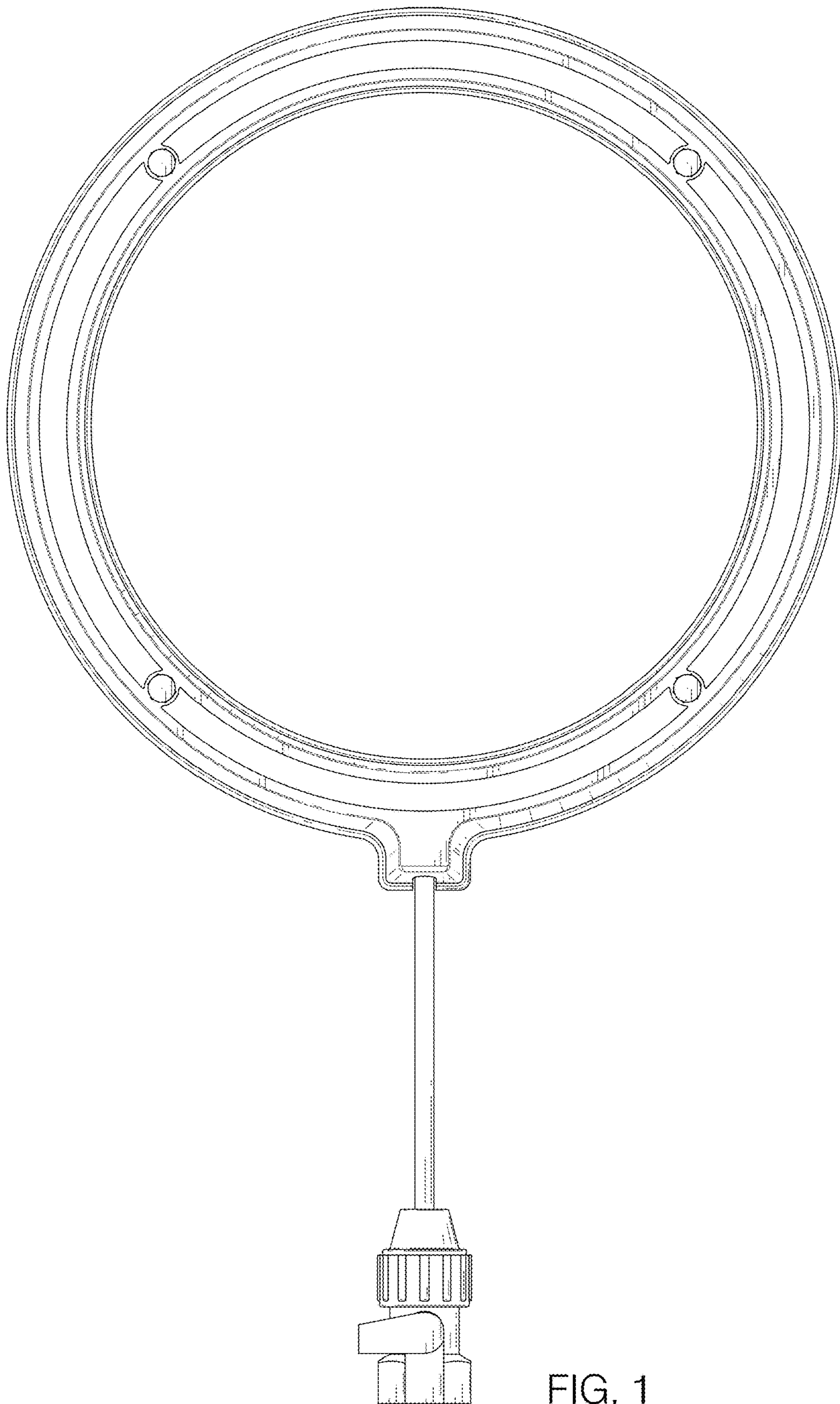


FIG. 1

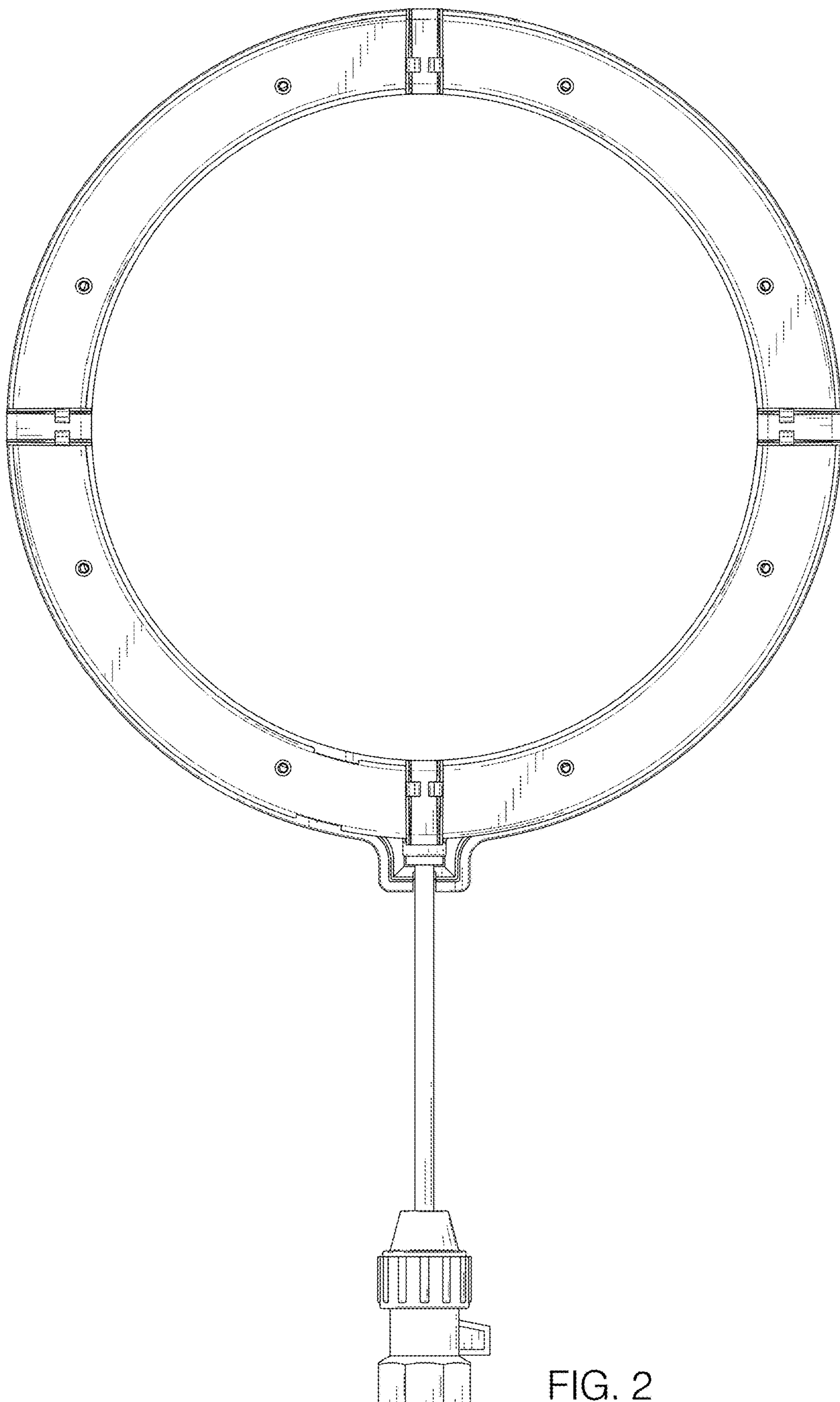


FIG. 2

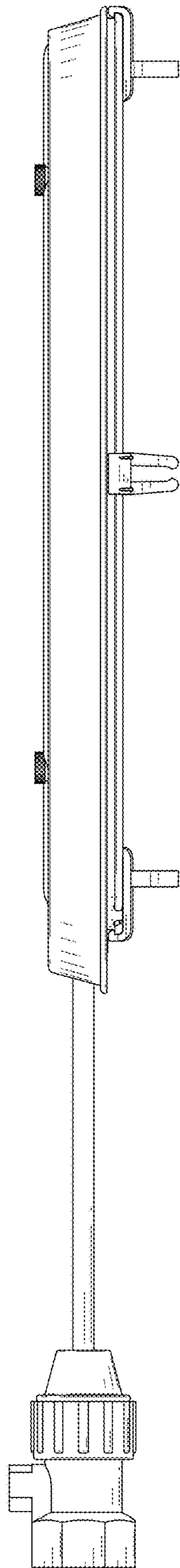


FIG. 3

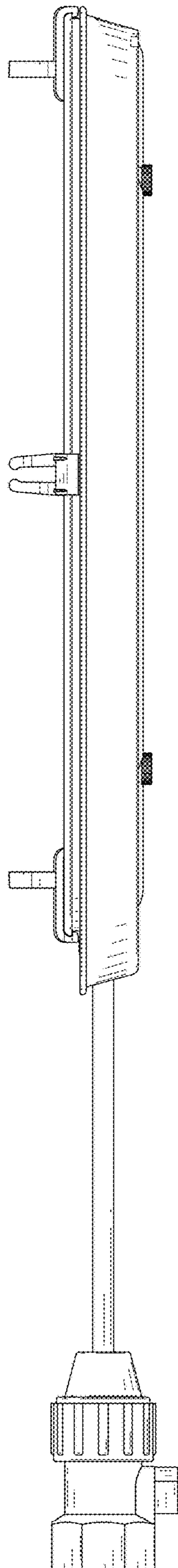


FIG. 4

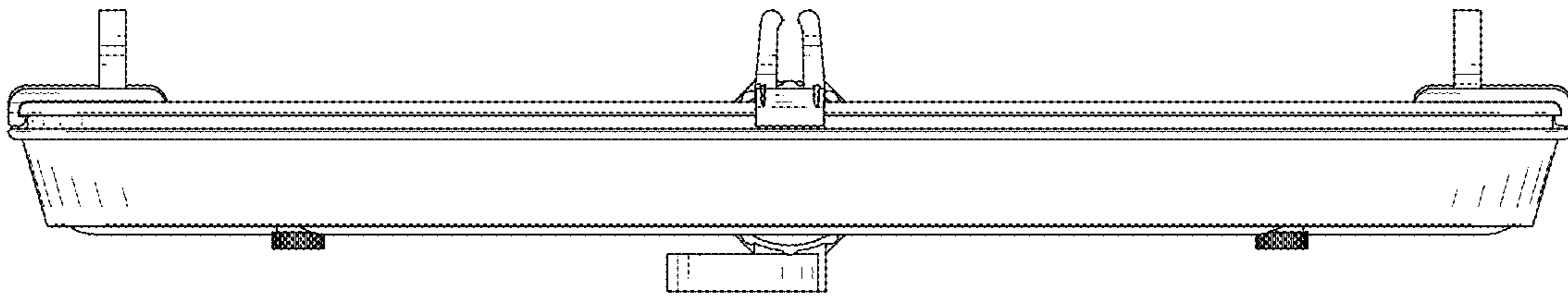


FIG. 5

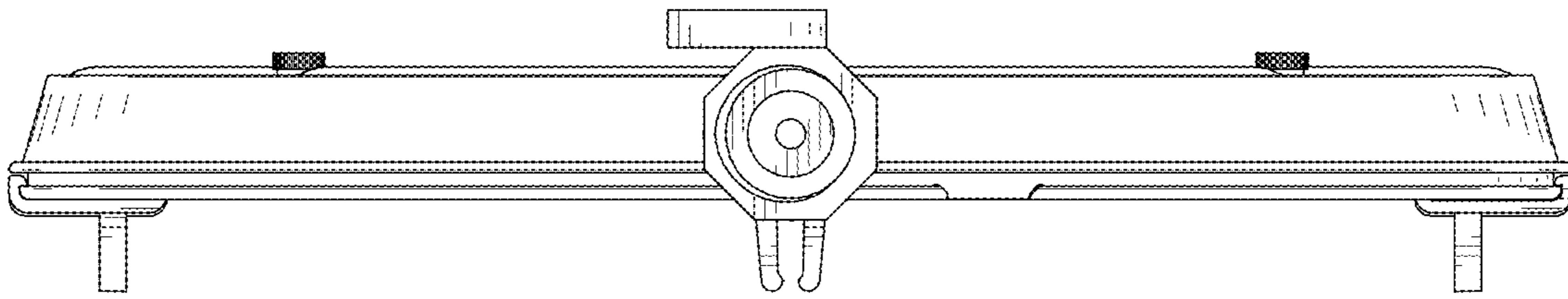


FIG. 6

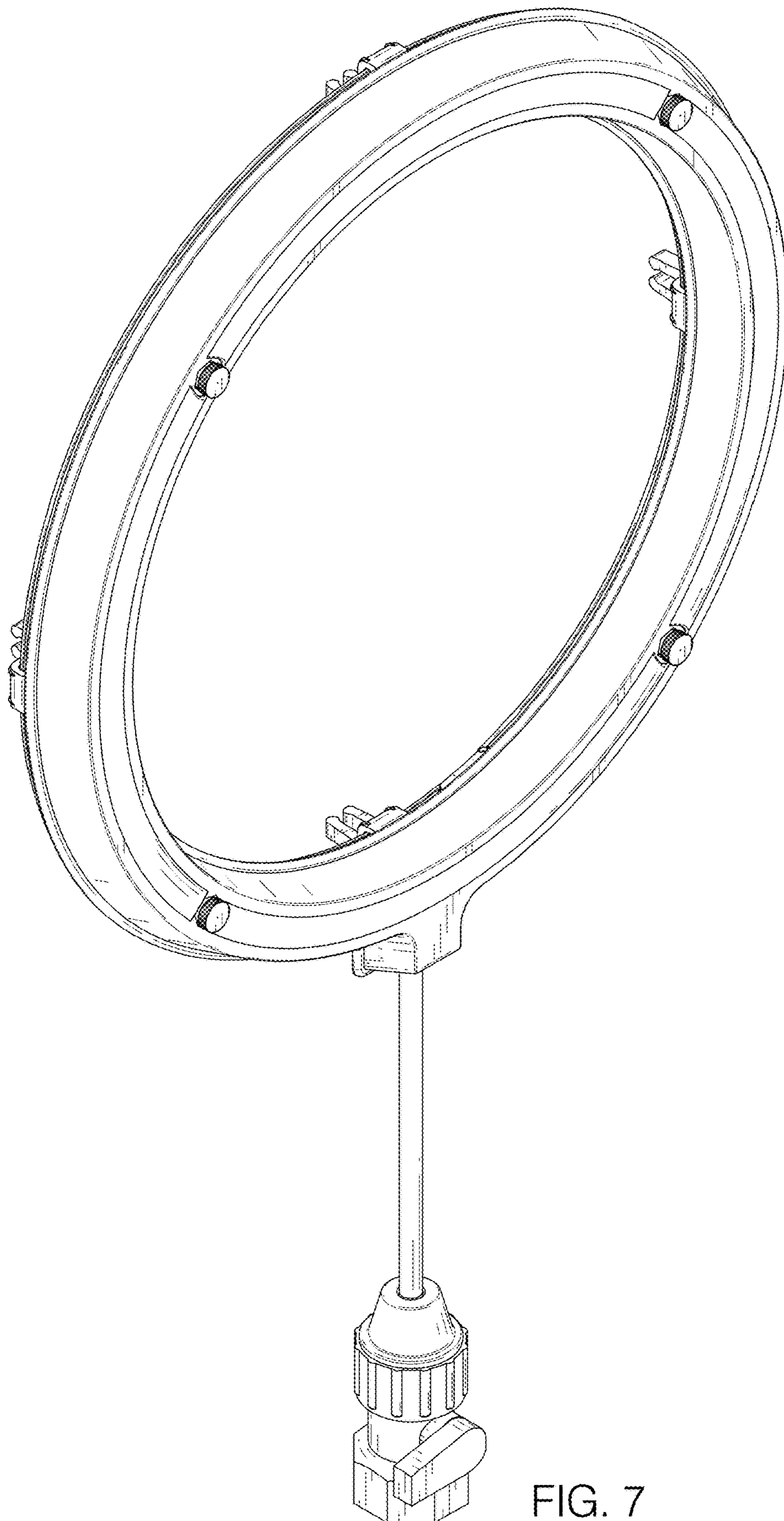


FIG. 7



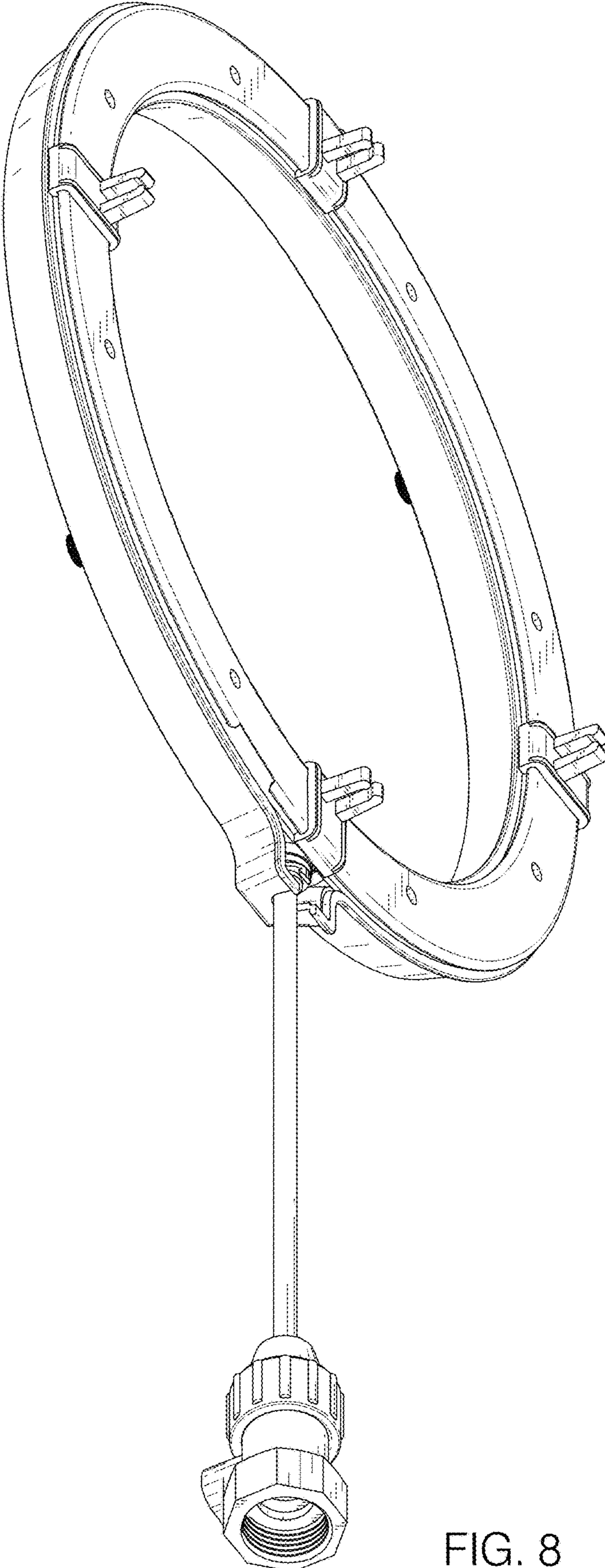


FIG. 8