



US00D918333S

(12) **United States Design Patent** (10) **Patent No.:** **US D918,333 S**
Qiu (45) **Date of Patent:** **** May 4, 2021**

(54) **ELECTRIC MOSQUITO SWATTER**
(71) Applicant: **Chenrong Qiu**, Meizhou (CN)
(72) Inventor: **Chenrong Qiu**, Meizhou (CN)
(**) Term: **15 Years**
(21) Appl. No.: **29/765,630**
(22) Filed: **Jan. 11, 2021**
(51) **LOC (13) Cl.** **22-06**
(52) **U.S. Cl.**
USPC **D22/124**
(58) **Field of Classification Search**
USPC D22/124, 120; 43/112, 137; D21/725,
D21/729
CPC A01M 29/00; A01M 29/34; A01M 3/025
See application file for complete search history.

(56) **References Cited**

U.S. PATENT DOCUMENTS

D518,867 S * 4/2006 Dow D22/124
D540,415 S * 4/2007 Zemel D22/124
D807,984 S * 1/2018 Borovicka A01M 3/025
2007/0113464 A1 * 5/2007 Lan A01M 3/025
43/137
2009/0272026 A1 11/2009 Su
2010/0088947 A1 * 4/2010 Mars A01M 3/025
43/112

OTHER PUBLICATIONS

Bug Zapper, Mosquito Killer Mosquitoes Lamp & Racket 2 in 1,
USB Rechargeable Electric Fly Swatter Powerful Grid 3-Layer

Mesh , Portable Handheld Bug Zapper Racket for Indoor and
Outdoor . . . <https://www.amazon.com/Mosquito-Mosquitoes-> (Year:
2011).*

* cited by examiner

Primary Examiner — Catherine R Oliver-Garcia

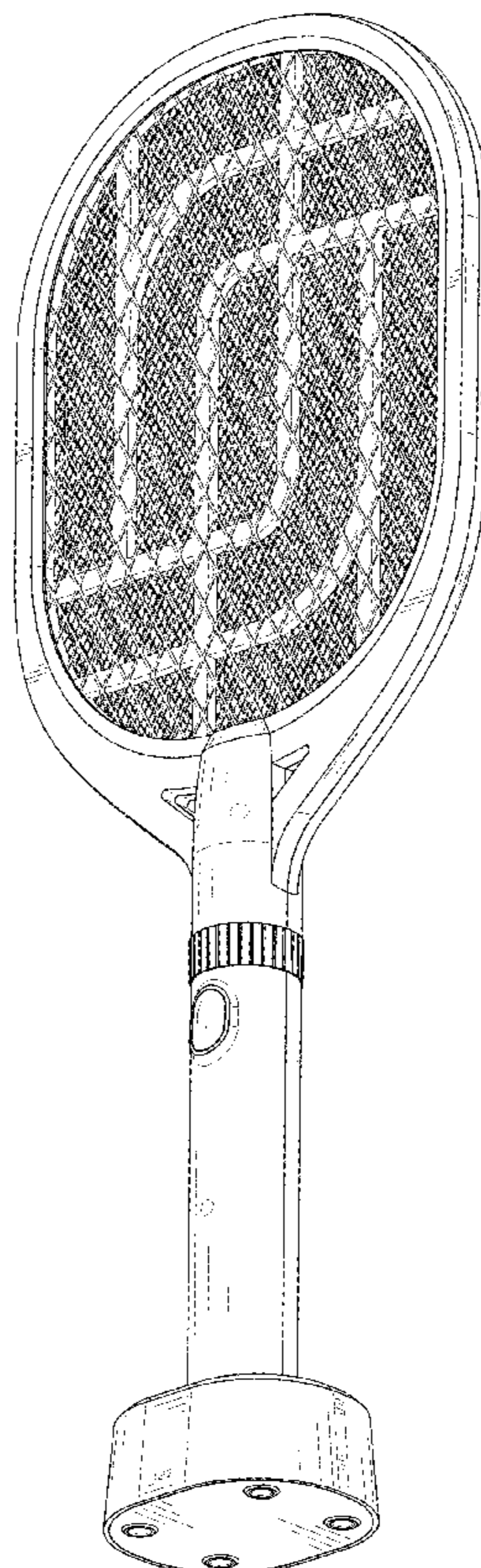
(57) **CLAIM**

The ornamental design for an electric mosquito swatter, as
shown and described.

DESCRIPTION

FIG. 1 is a perspective view of an electric mosquito swatter
showing my new design;
FIG. 2 is another perspective view thereof;
FIG. 3 is a front elevational view thereof;
FIG. 4 is a rear elevational view thereof;
FIG. 5 is a left side elevational view thereof;
FIG. 6 is a right side elevational view thereof;
FIG. 7 is a top plan view thereof;
FIG. 8 is a bottom plan view thereof;
FIG. 9 is an exploded perspective view of the electric
mosquito swatter; and,
FIG. 10 is an enlarged view of portion 10 shown in FIG. 1.
The broken lines in the drawings depict portions of the
electric mosquito swatter that form no part of the claimed
design.

1 Claim, 10 Drawing Sheets



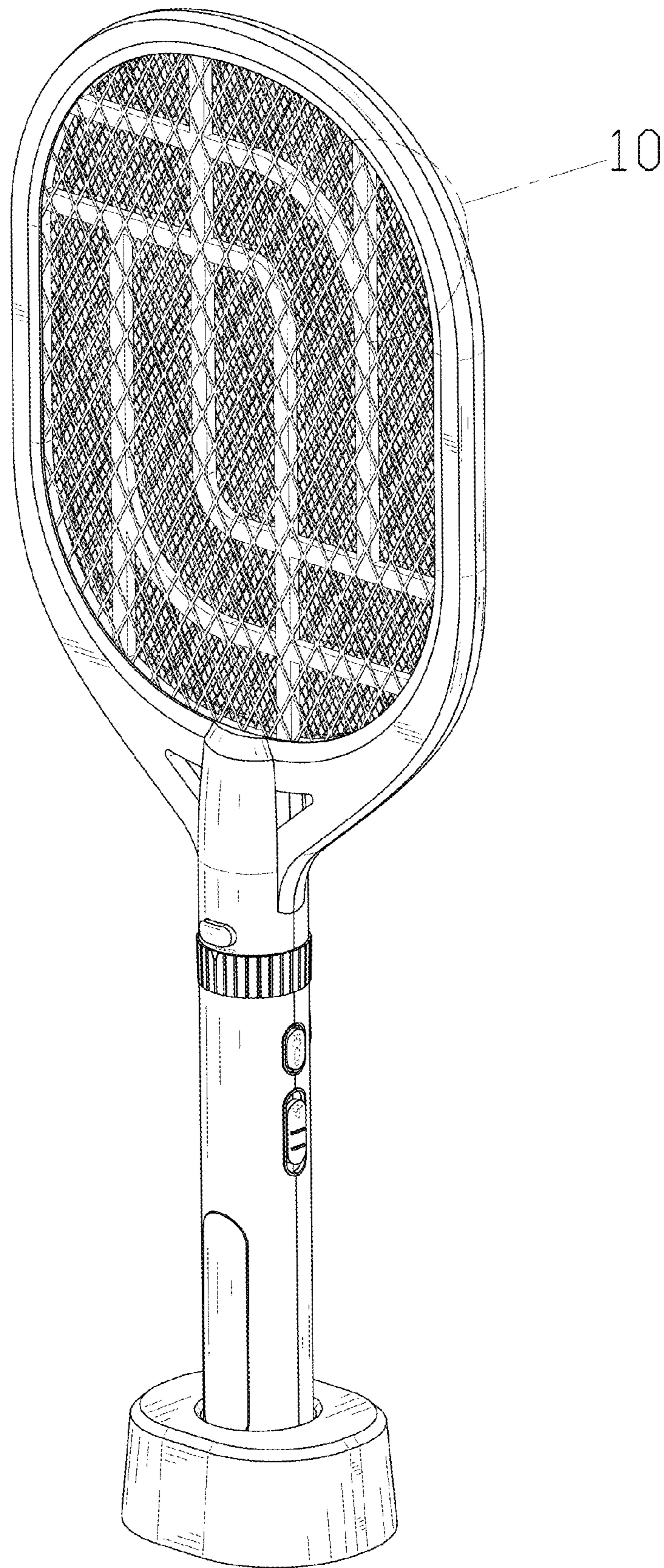


FIG. 1

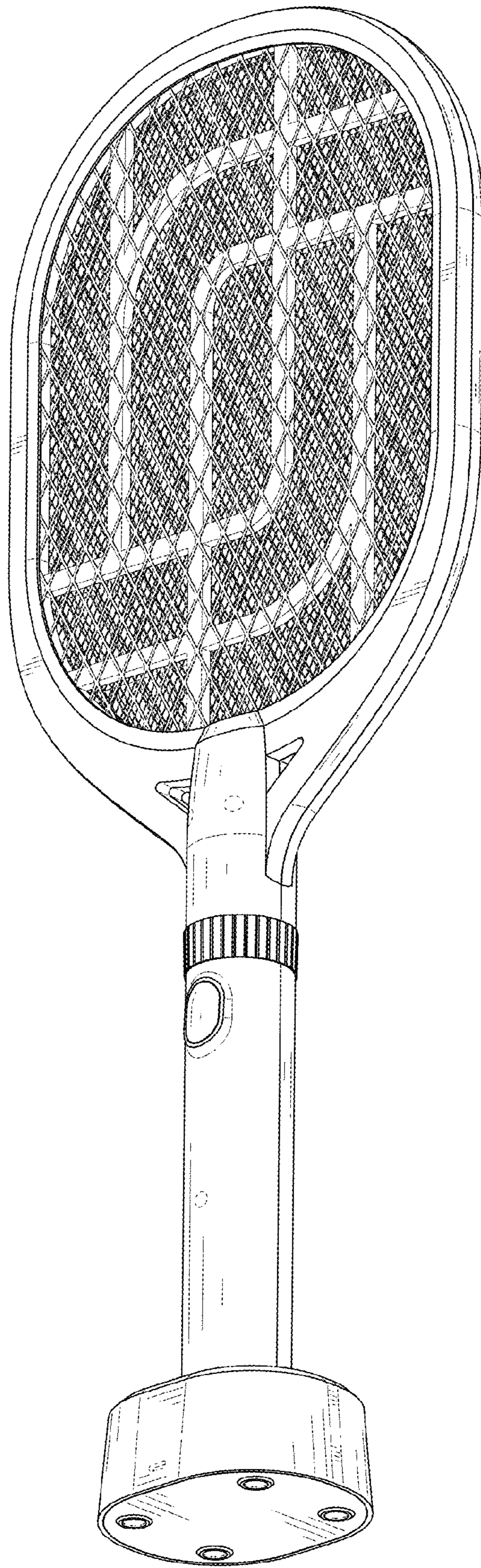


FIG. 2

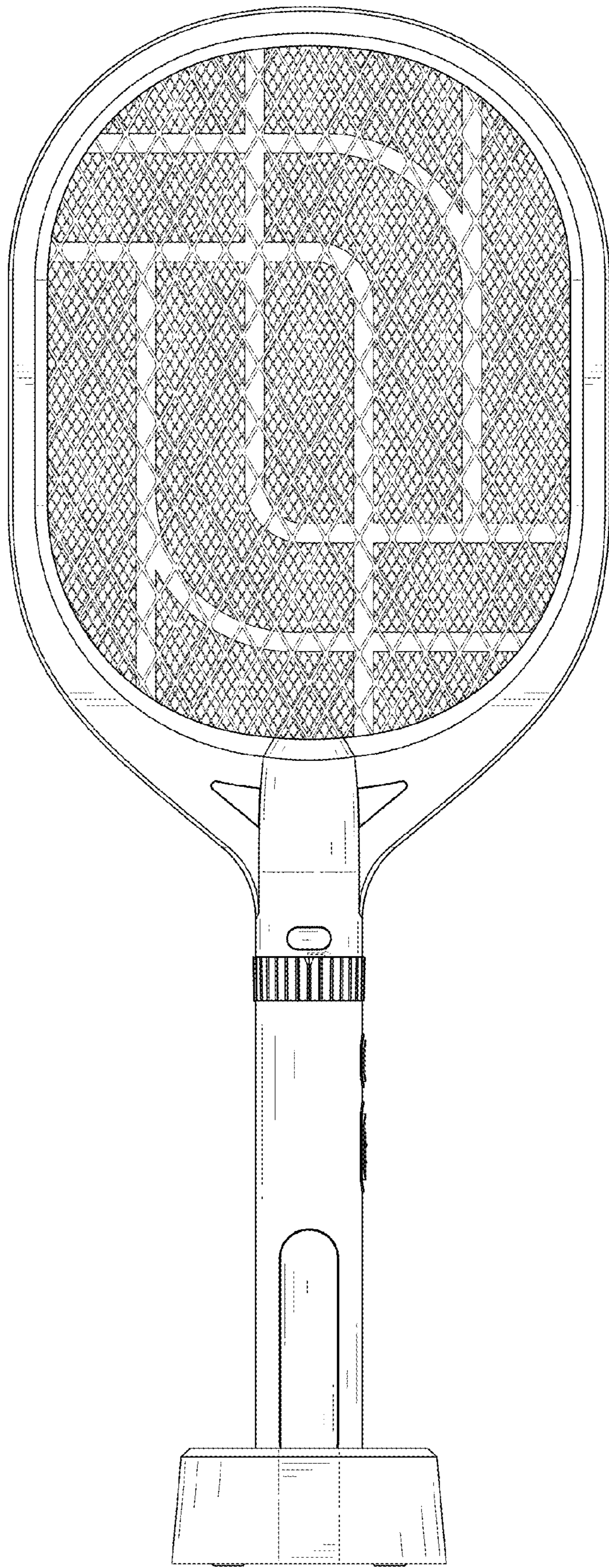


FIG. 3

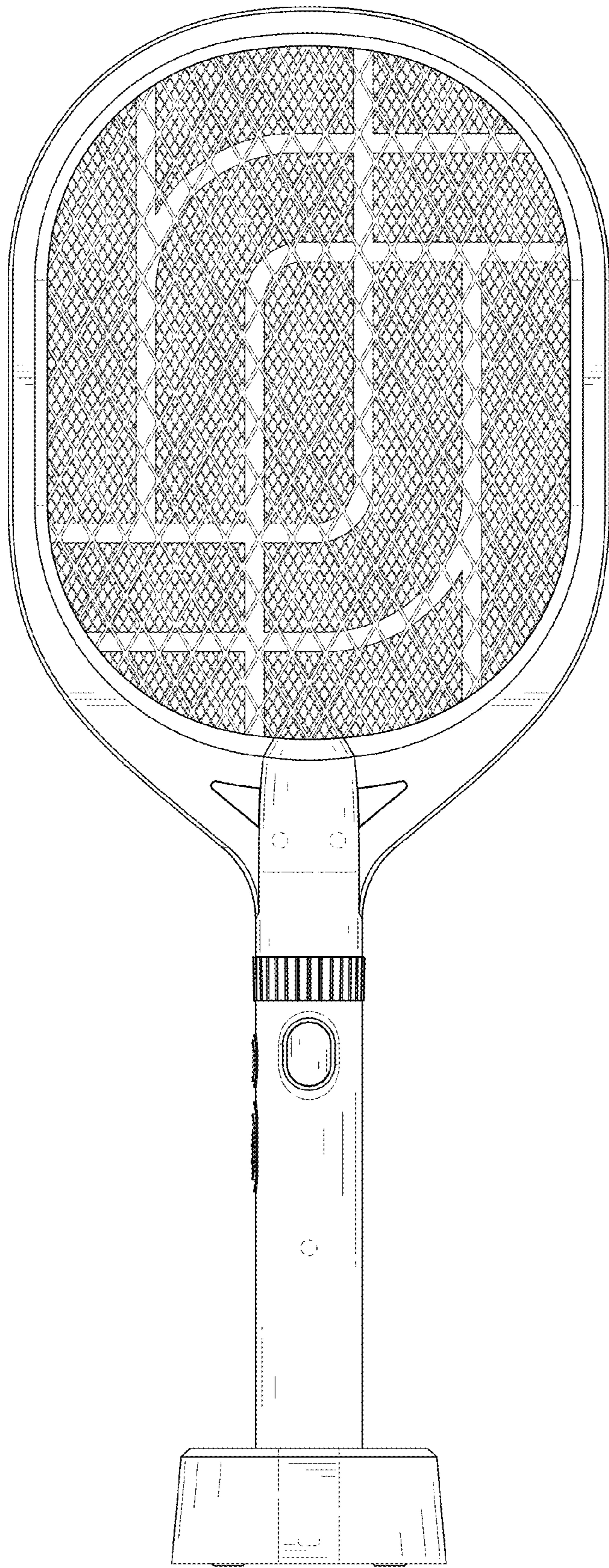


FIG. 4

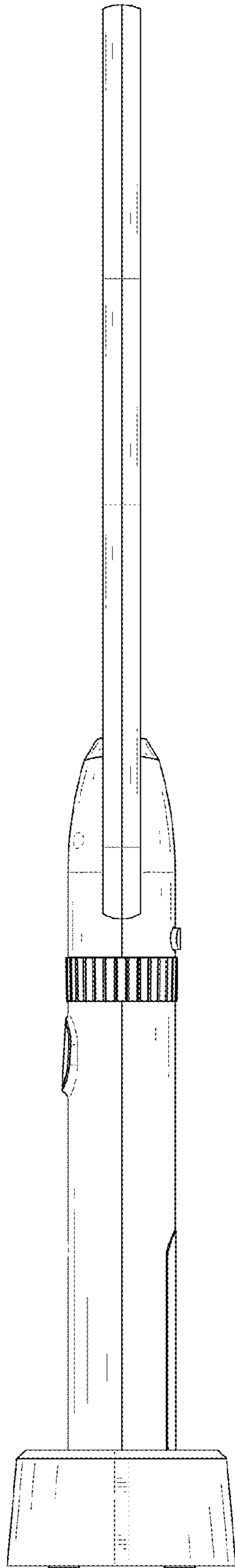


FIG. 5

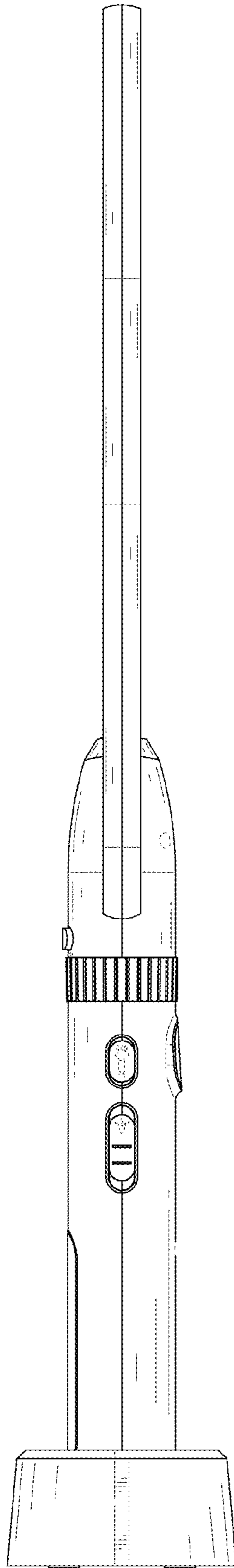


FIG. 6

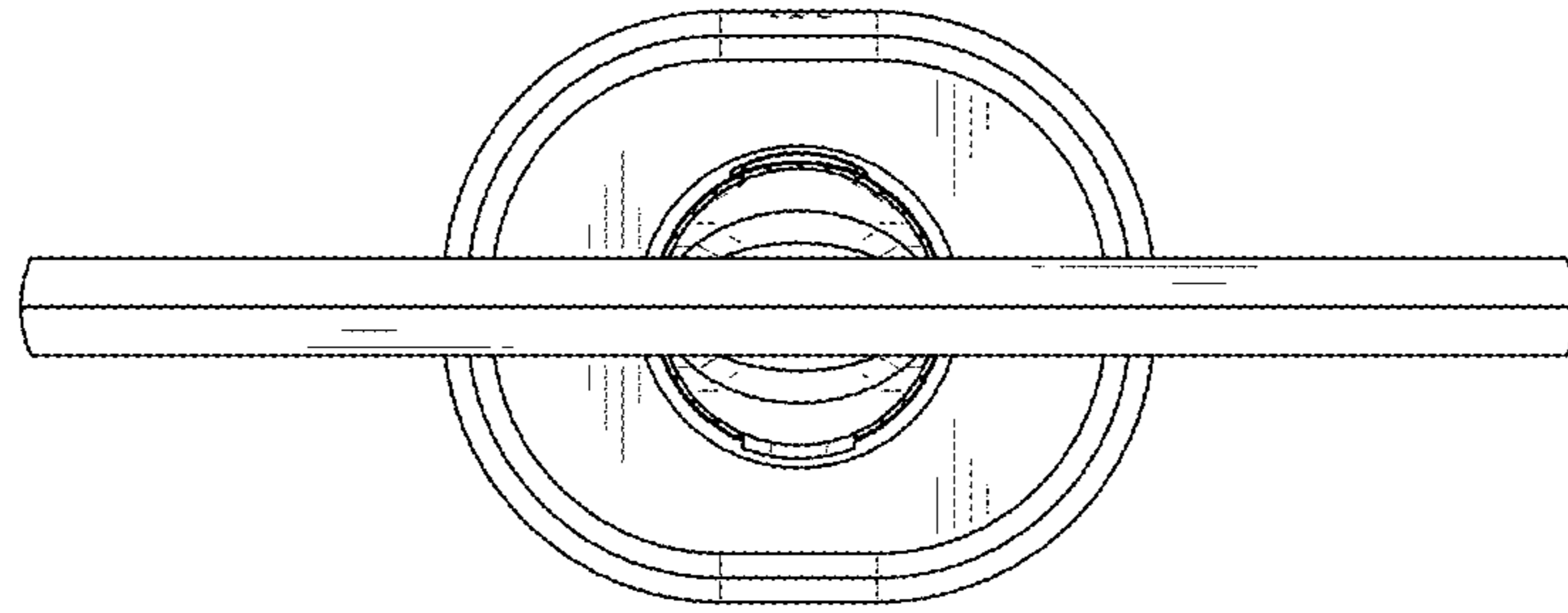


FIG. 7

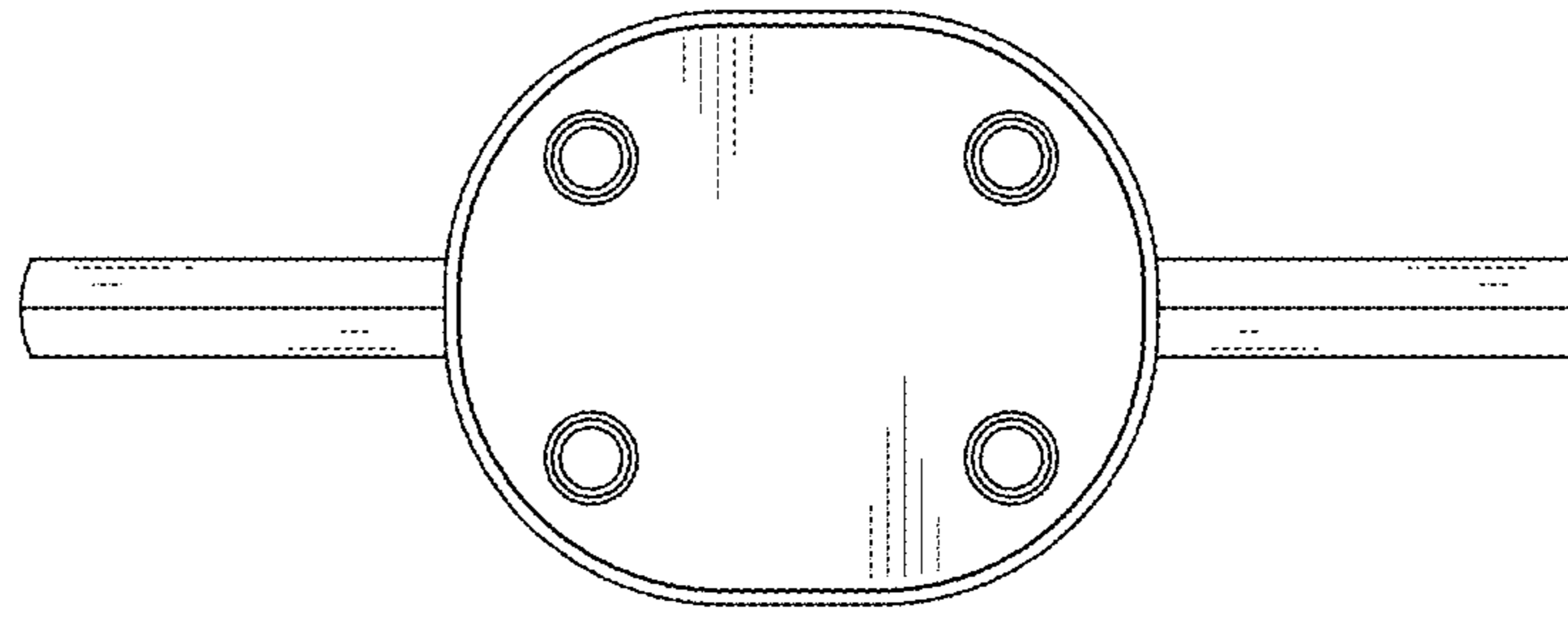


FIG. 8

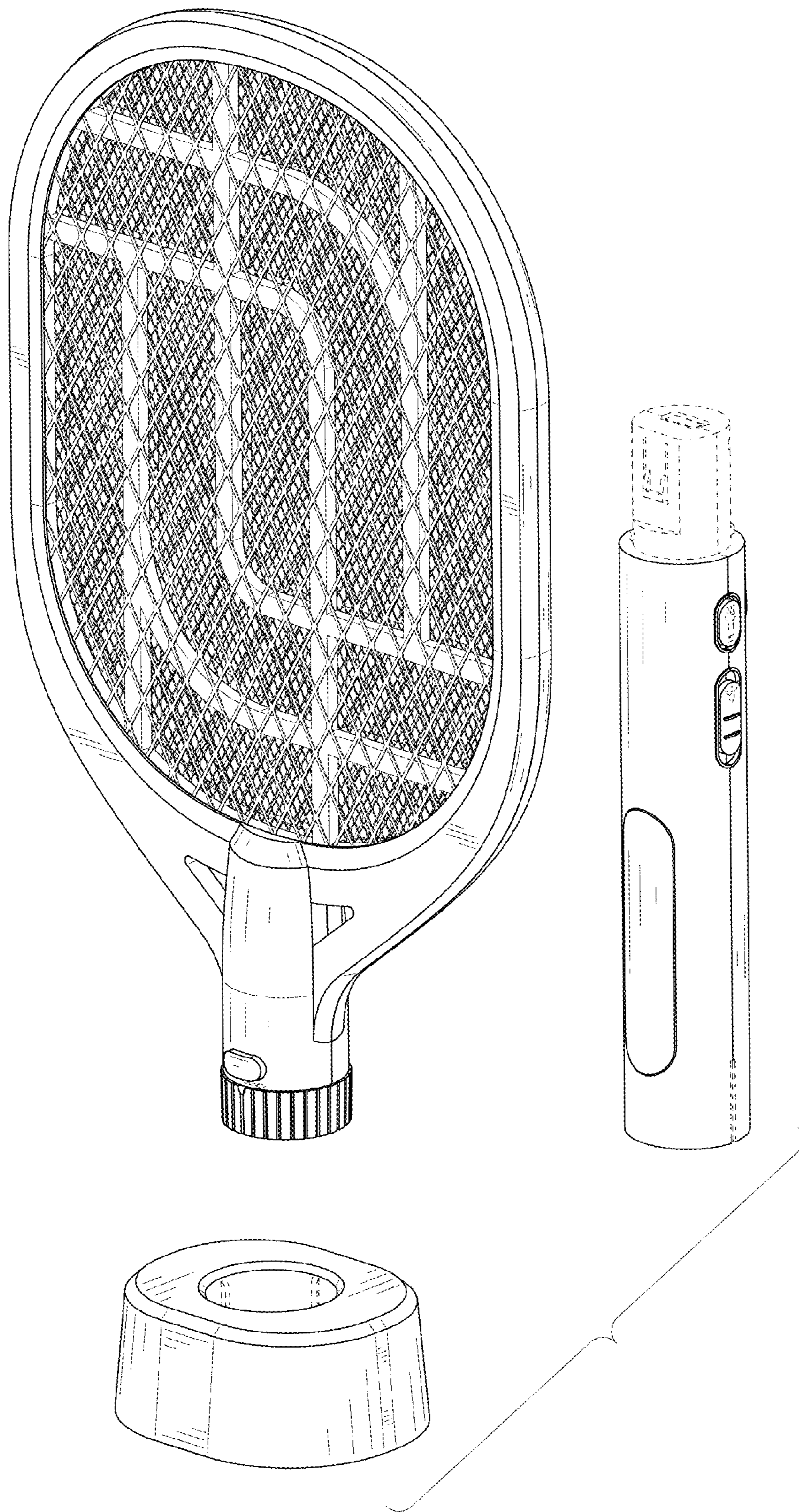


FIG. 9

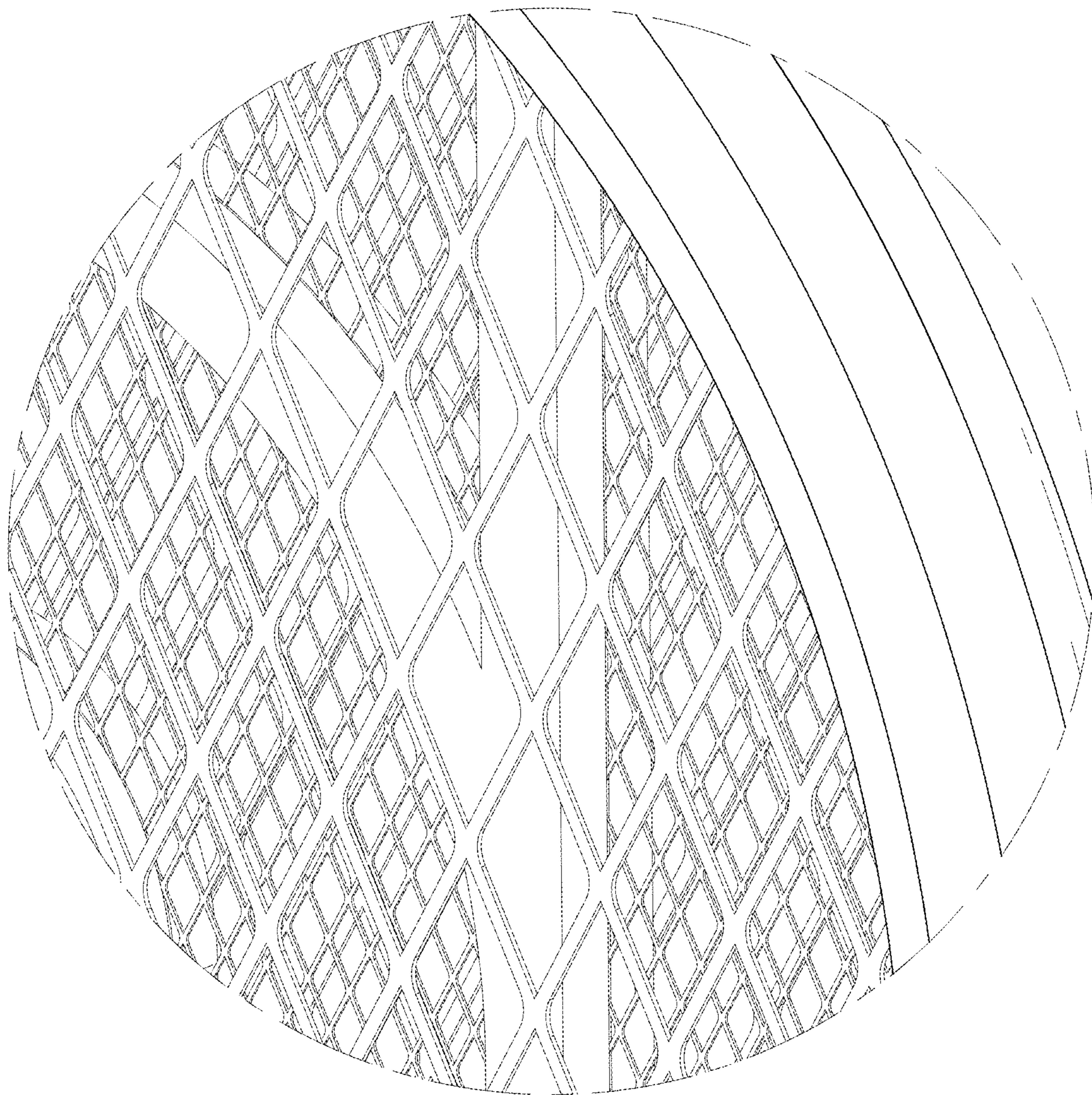


FIG. 10