



US00D918330S

(12) **United States Design Patent**
Rofkahr, Jr. et al.

(10) **Patent No.:** **US D918,330 S**
(45) **Date of Patent:** **** May 4, 2021**

(54) **ELLIPTICAL TRIGGER DAMPENING ABSORBER**

(71) Applicants: **James J. Rofkahr, Jr.**, Altus, AR (US);
Michael D. Rofkahr, Ozark, AR (US)

(72) Inventors: **James J. Rofkahr, Jr.**, Altus, AR (US);
Michael D. Rofkahr, Ozark, AR (US)

(**) Term: **15 Years**

(21) Appl. No.: **29/743,047**

(22) Filed: **Jul. 17, 2020**

Related U.S. Application Data

(63) Continuation-in-part of application No. 29/656,075,
filed on Jul. 10, 2018, now Pat. No. Des. 904,542.

(51) **LOC (13) Cl.** **22-01**

(52) **U.S. Cl.**
USPC **D22/108**

(58) **Field of Classification Search**
USPC D22/100, 103, 104, 108; D21/567, 570,
D21/573, 574, 575
CPC F16D 2127/008; F41A 17/00; F41A 17/22;
F41A 19/11; F41A 19/10; F41A 35/00;
F41A 17/46

See application file for complete search history.

(56) **References Cited**

U.S. PATENT DOCUMENTS

3,184,875 A * 5/1965 Klebe F41A 19/09
42/69.01
3,713,239 A * 1/1973 Sperling F41A 17/54
42/70.07
D288,984 S 3/1987 Scheurer et al. D3/65
D388,149 S * 12/1997 Langner D22/100

6,405,468 B1 * 6/2002 Gilgenbach F41A 17/22
42/70.01
D475,451 S 6/2003 Bell et al. D24/101
6,589,925 B1 7/2003 Binstock et al. 510/224

(Continued)

OTHER PUBLICATIONS

“Poploc Trigger Block Safety for Glock Pistols (Orange, Glock 42/43/48)” [online]. Poploc. [Product first available on Apr. 4, 2016]. Retrieved from the Internet: <<https://www.amazon.com/dp/B01DV7B2TG>>.*

(Continued)

Primary Examiner — Mojtaba Tehrani

(74) *Attorney, Agent, or Firm* — Keisling & Pieper PLC;
David B. Pieper; Trent C. Keisling

(57) **CLAIM**

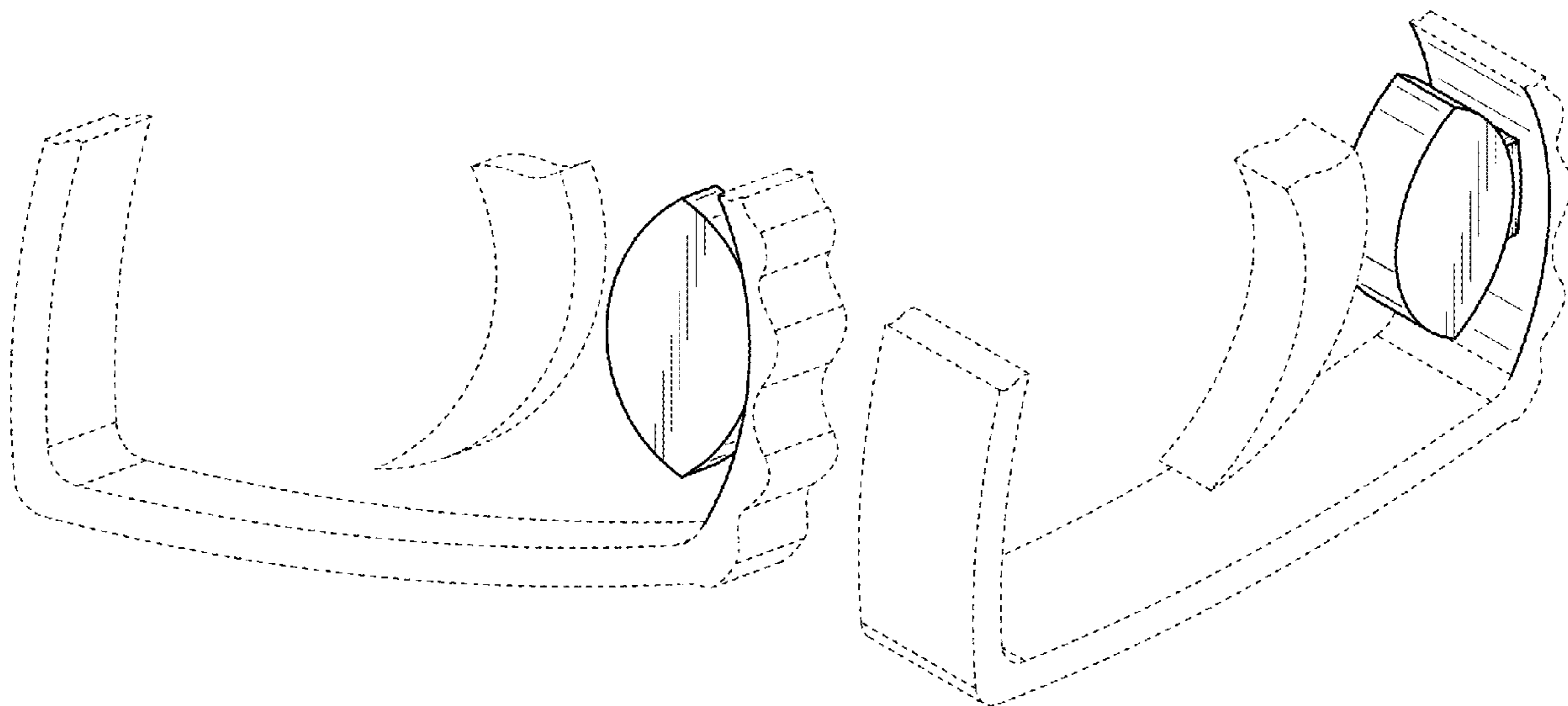
The ornamental design for an elliptical trigger dampening absorber, as shown and described.

DESCRIPTION

FIG. 1 is a perspective view of an elliptical trigger dampening absorber, showing our new design;
FIG. 2 is another perspective view thereof;
FIG. 3 is a top elevational view thereof;
FIG. 4 is a left side elevational view thereof;
FIG. 5 is a front elevational view thereof; and,
FIG. 6 is a right side elevational view thereof;
FIG. 7 is a bottom elevational view thereof;
FIG. 8 is a cross sectional view taken along the line 8-8 identified in FIG. 5; and,
FIG. 9 is a cross sectional view taken along the line 9-9 identified in FIG. 5.

The evenly broken lines showing the trigger mechanism and frame of a gun are for the purpose of illustrating environmental structure and form no part of the claimed design; the dash-dot-dot lines in FIG. 5 depict the cross-sectional planes and form no part of the claimed design.

1 Claim, 3 Drawing Sheets



(56)

References Cited

U.S. PATENT DOCUMENTS

6,651,642 B1 * 11/2003 Powers F41B 5/1469
 124/31
 6,663,479 B2 12/2003 Sendelbeck 451/523
 D523,494 S 6/2006 Van Straaten D21/686
 7,487,768 B2 * 2/2009 Hatcher F41A 11/02
 124/31
 D661,566 S 6/2012 Comstock et al. D8/90
 D685,963 S 7/2013 Timm D32/40
 D687,510 S 8/2013 Medina, III D22/119
 D726,276 S * 4/2015 Pagac D22/108
 D729,974 S 5/2015 Sommarstrom et al. D27/100
 9,052,149 B2 * 6/2015 Bender F41A 19/00
 D779,601 S 2/2017 Scholder D21/686
 D786,385 S * 5/2017 Sapio D22/108
 D790,036 S 6/2017 Gerhards et al. D23/208
 9,879,932 B2 * 1/2018 Milde, Jr. F41A 17/46
 10,175,019 B1 * 1/2019 Al-Mutawa F41A 17/64
 D841,120 S 2/2019 Schepp et al. D23/208
 D857,144 S 8/2019 Pagac D22/108
 D868,926 S 12/2019 Rofkahr, Jr. et al. D22/108
 D868,927 S 12/2019 Rofkahr, Jr. et al. D22/108

D872,199 S * 1/2020 Krishock D21/686
 D886,226 S * 6/2020 Rofkahr, Jr. D22/108
 D886,227 S * 6/2020 Rofkahr, Jr. D22/108
 D886,228 S 6/2020 Rofkahr, Jr. et al. D22/108
 10,724,815 B2 * 7/2020 Gillette F41A 19/14
 10,775,122 B1 * 9/2020 Rofkahr, Jr. F41A 19/09
 D904,542 S * 12/2020 Rofkahr, Jr. D22/108
 2010/0184567 A1 * 7/2010 Lim A63B 21/0004
 482/23
 2013/0029815 A1 * 1/2013 Lu A63B 26/003
 482/142
 2013/0190151 A1 * 7/2013 Scholder A63B 21/4039
 482/142

OTHER PUBLICATIONS

“Ultimate Arms Gear Safe-Draw Passive Trigger Pull Guard [. . .]”
 [online]. Pro Hunter Supply. [Retrieved on Jan. 2, 2021]. Retrieved
 from the Internet: <<https://prohuntersupply.com/product/ultimate-arms-gear-safe-draw-passive-trigger-pull-guard-safety-lock-kit-for-handguns-pistols-glock>>.*

* cited by examiner

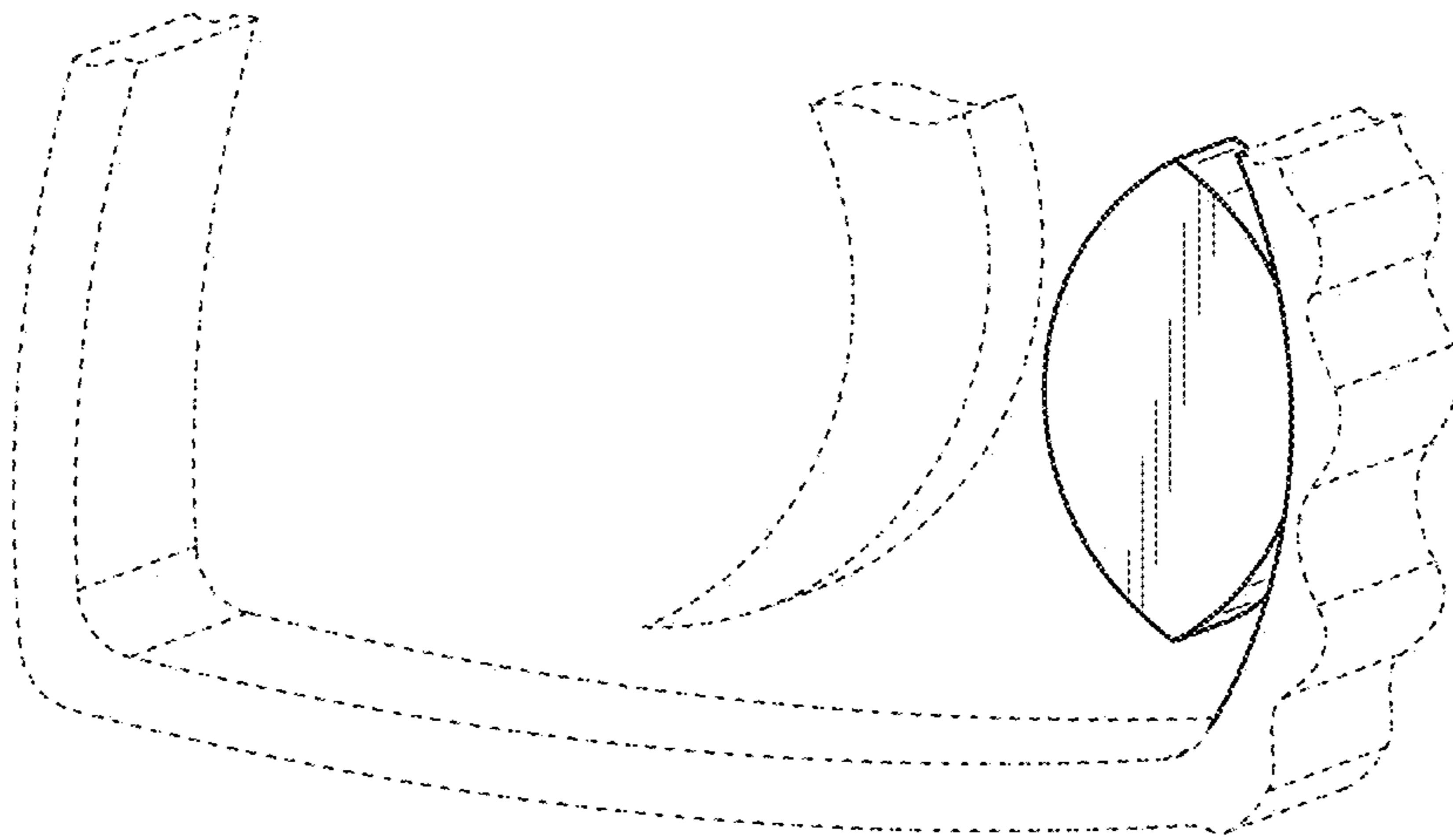


FIG. 1

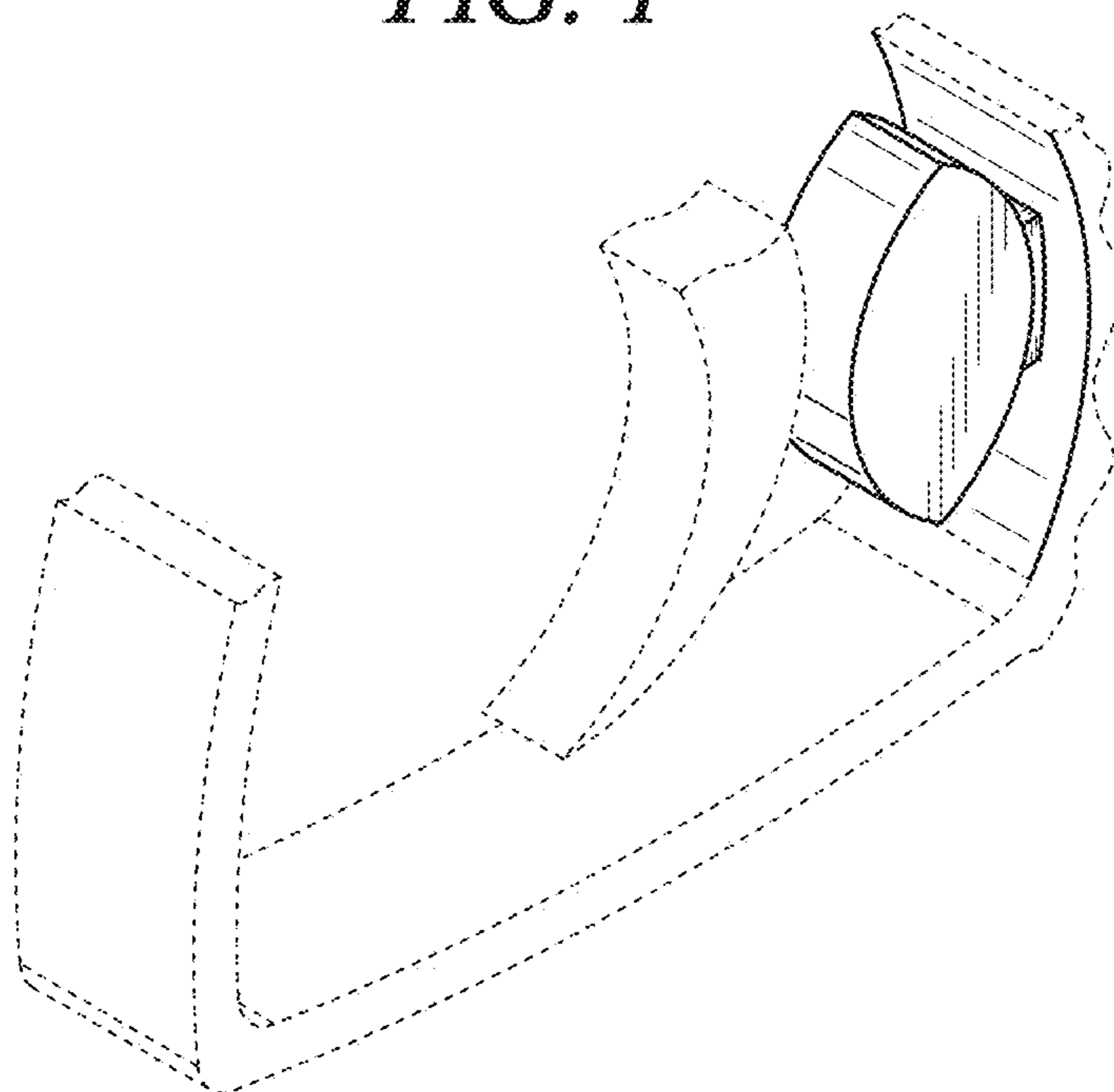


FIG. 2

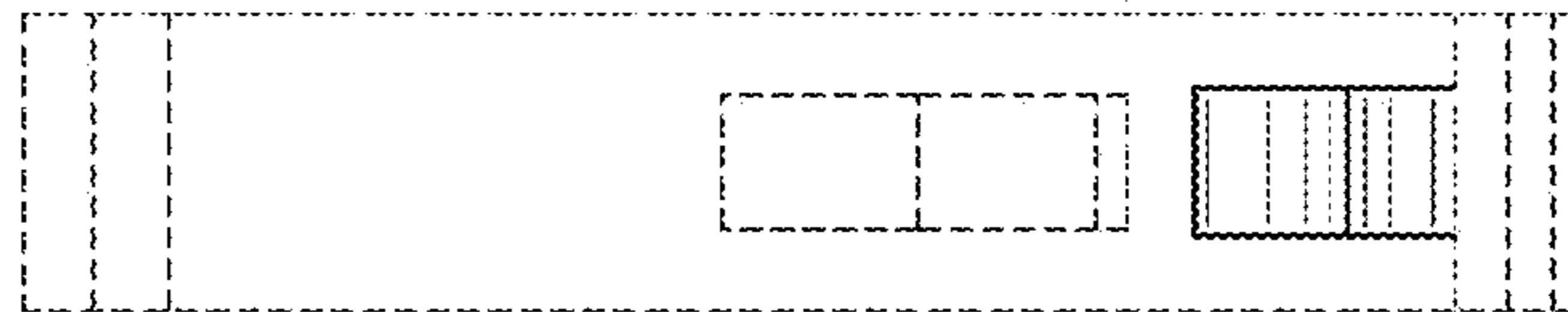


FIG. 3

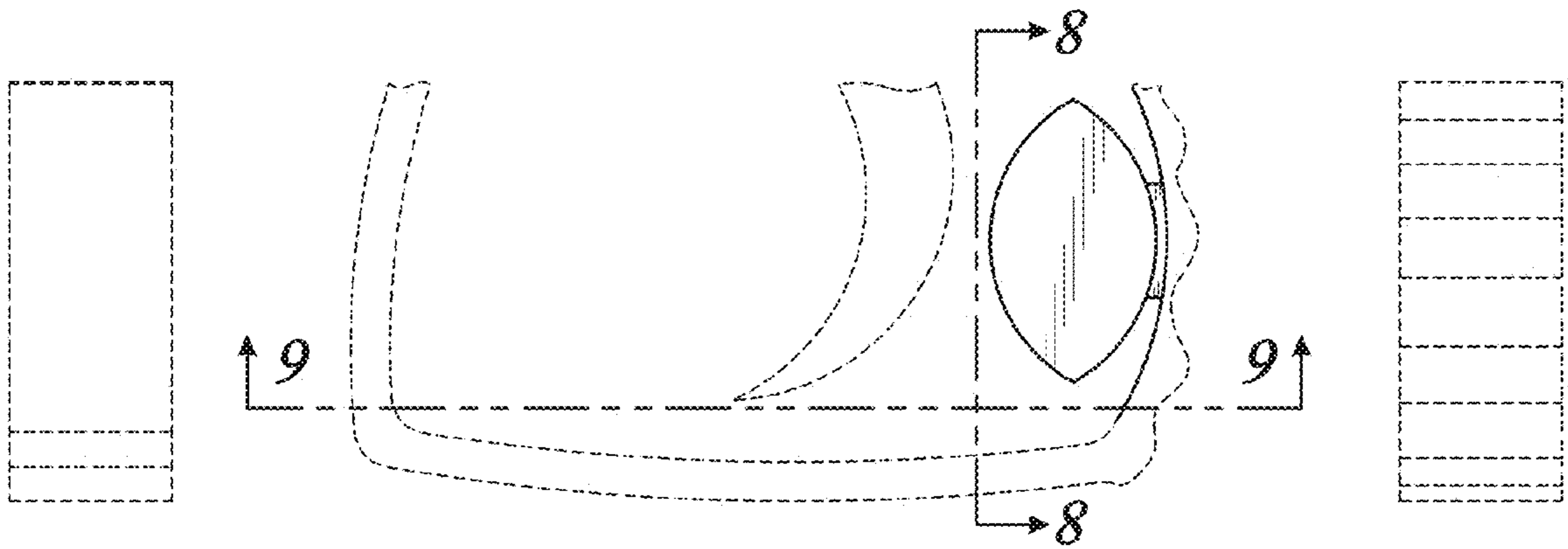


FIG. 4

FIG. 5

FIG. 6

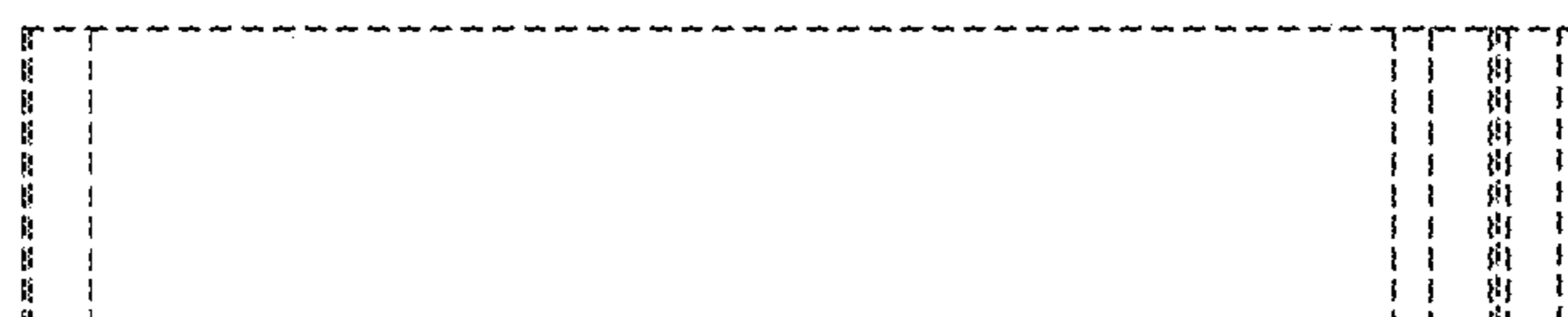


FIG. 7

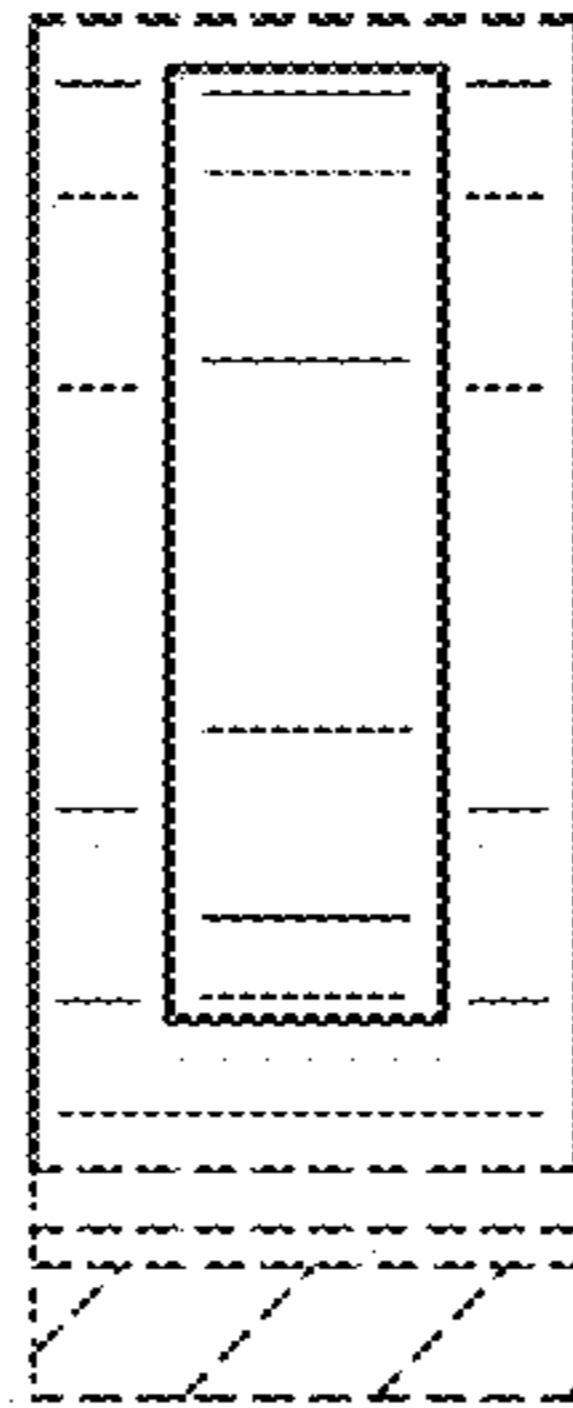


FIG. 8

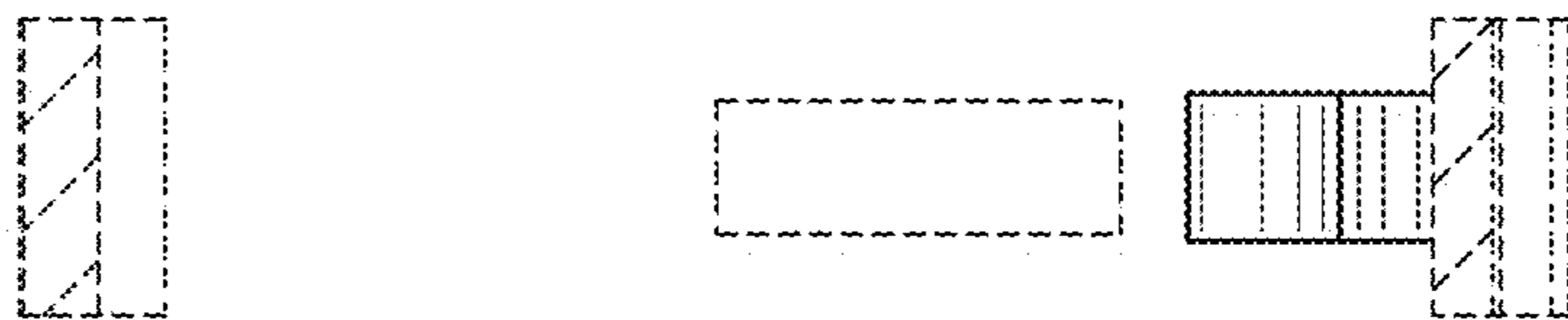


FIG. 9