



US00D918329S

(12) **United States Design Patent** (10) **Patent No.:** **US D918,329 S**
Sugg (45) **Date of Patent:** **** May 4, 2021**

(54) **LOWER RECEIVER**

(71) Applicant: **Edward Sugg**, South Riding, VA (US)

(72) Inventor: **Edward Sugg**, South Riding, VA (US)

(**) Term: **15 Years**

(21) Appl. No.: **29/634,488**

(22) Filed: **Jan. 22, 2018**

(51) **LOC (13) Cl.** **22-01**

(52) **U.S. Cl.**
USPC **D22/108**

(58) **Field of Classification Search**
USPC D22/103, 107-111, 199; D21/571-575
CPC F41A 3/64; F41A 3/66; F41A 3/68
See application file for complete search history.

(56) **References Cited**

U.S. PATENT DOCUMENTS

D713,485	S *	9/2014	Firpo, I	D22/108
D726,863	S *	4/2015	Crume, Sr.	D22/108
9,009,986	B1 *	4/2015	Chang	F41A 3/66 33/640
9,121,652	B1 *	9/2015	Mangiameli	F41A 9/67
D746,936	S *	1/2016	Huang	D22/108
D755,338	S *	5/2016	Slank	D22/108
D764,005	S *	8/2016	Neil	D22/108
D773,585	S *	12/2016	Miller, III	D22/108
D782,596	S *	3/2017	Angstadt	D22/108
D796,619	S *	9/2017	Morris	D22/108
D805,154	S *	12/2017	Steele et al.	D22/108
9,885,529	B2	2/2018	Lewis	
9,909,828	B1 *	3/2018	Klein	F41A 11/00
D833,563	S *	11/2018	Snively	D22/108
D835,225	S *	12/2018	Podgurny	D22/108
D837,924	S *	1/2019	Kunau	D22/108
D849,175	S *	5/2019	Willits	D22/108
10,393,459	B2 *	8/2019	Tompkins	F41A 11/00
D877,846	S *	3/2020	Hu	D22/108

(Continued)

FOREIGN PATENT DOCUMENTS

CA	2982233	A1 *	12/2016	F41A 9/59
WO	WO-2017106857	A1 *	6/2017	F41A 3/66

OTHER PUBLICATIONS

Anderson Manufacturing AR-15 Stripped Lower Receiver, posted at Primary Arms, reviewed Jul. 8, 2015, site visited Sep. 25, 2019. URL: <<https://www.primaryarms.com/anderson-manufacturing-ar-15-stripped-lower-receiver?page=9>> (Year: 2015).*

Primary Examiner — Kathleen L Jones

(74) *Attorney, Agent, or Firm* — Arent Fox LLP

(57) **CLAIM**

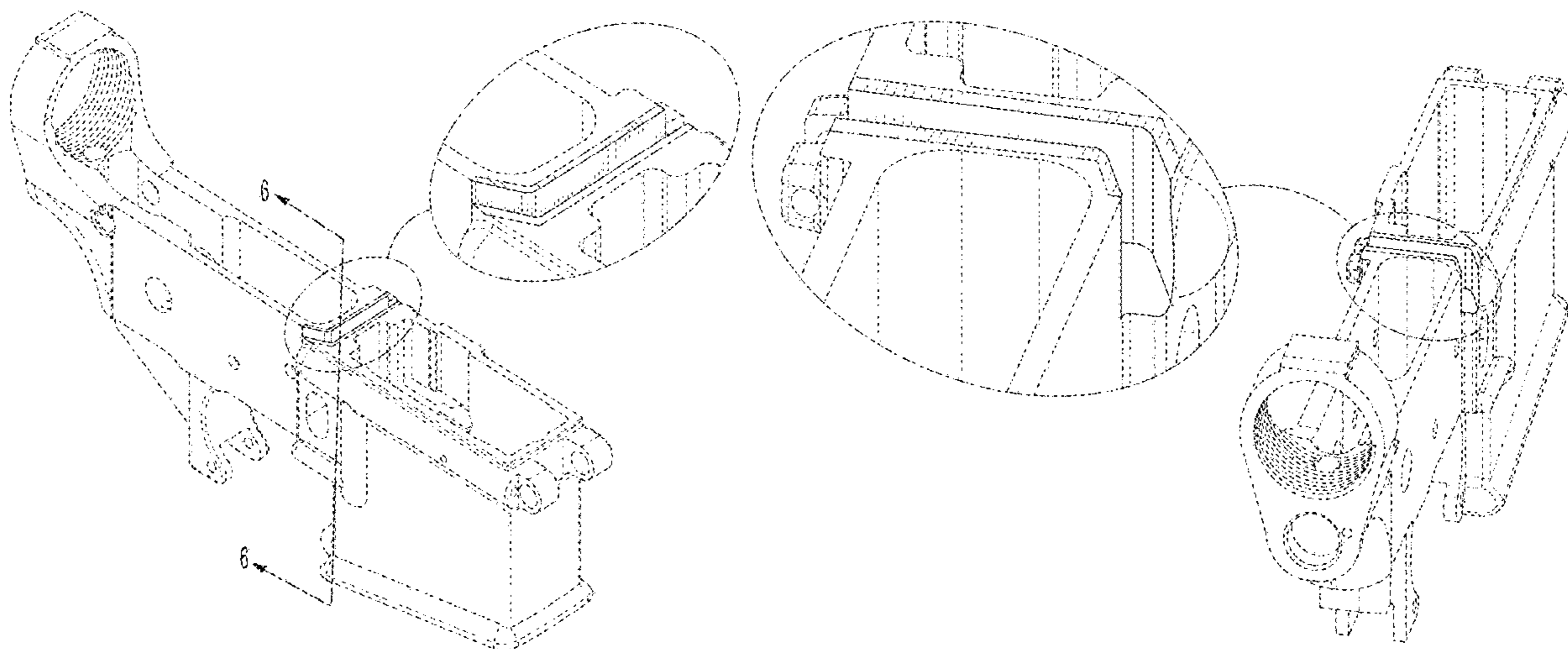
The ornamental design for a lower receiver, as shown and described.

DESCRIPTION

FIG. 1 is a top left front perspective view of a lower receiver; FIG. 2 is a top left rear perspective view thereof; FIG. 3 is a top right front perspective view thereof; FIG. 4 is a top view thereof; FIG. 5 is a front section view of the slot thereof, taken from line 5-5 in FIG. 4; FIG. 6 is a top left front perspective section view of the slot thereof, taken from line 6-6 in FIG. 1; FIG. 7 is a side section view thereof, taken from line 7-7 in FIG. 4; FIG. 8 is a rear view thereof; FIG. 9 is a left side view thereof; FIG. 10 is a front view thereof; and, FIG. 11 is a right side view thereof.

The dashed broken lines depicting portions of the lower receiver, the uneven broken lines showing boundaries of the claimed design, and the uneven broken lines indicating cross-sectional and enlarged views form no part of the claimed design.

1 Claim, 8 Drawing Sheets



(56)

References Cited

U.S. PATENT DOCUMENTS

10,598,450 B1 * 3/2020 Welch F41A 3/66
10,731,938 B2 * 8/2020 Alicea, Jr. F41A 17/20
2012/0297656 A1 * 11/2012 Langevin F41A 3/66
42/16
2013/0227869 A1 * 9/2013 Thordsen F41C 27/00
42/6
2015/0000171 A1 * 1/2015 Roberts F41A 3/66
42/75.03
2015/0101230 A1 * 4/2015 Curtis F41A 3/66
42/75.01
2015/0354912 A1 * 12/2015 Miller, III F41A 19/11
42/90
2016/0076842 A1 * 3/2016 Faxon F41A 17/22
42/69.01
2016/0084601 A1 * 3/2016 Alicea, Jr. F41A 17/20
42/6
2016/0169601 A1 * 6/2016 Newman F41A 17/38
42/6
2016/0209136 A1 * 7/2016 Schuetz F41A 11/02
2016/0258697 A1 * 9/2016 Hoon F41A 17/38
2016/0258713 A1 * 9/2016 Huang F41A 3/66
2016/0273857 A1 * 9/2016 Pettit F41A 3/66
2017/0160026 A1 * 6/2017 Walther F41A 3/66
2017/0160032 A1 * 6/2017 Overstreet F41A 17/36
2017/0227309 A1 * 8/2017 Faxon F41A 11/00
2017/0241729 A1 * 8/2017 Gangl F41A 3/66
2017/0284761 A1 * 10/2017 Lewis F41A 3/66
2017/0299292 A1 * 10/2017 Daley, Jr. F41A 11/00
2017/0356706 A1 * 12/2017 Beaty F41A 3/66
2018/0087854 A1 * 3/2018 Gray F41A 5/28
2018/0100712 A1 * 4/2018 Tompkins F41A 19/15
2018/0321005 A1 * 11/2018 Quinn F41A 17/38
2019/0041146 A1 * 2/2019 Johnson, Jr. F41A 17/38
2020/0116449 A1 * 4/2020 Mykhailovych F41A 3/66

* cited by examiner

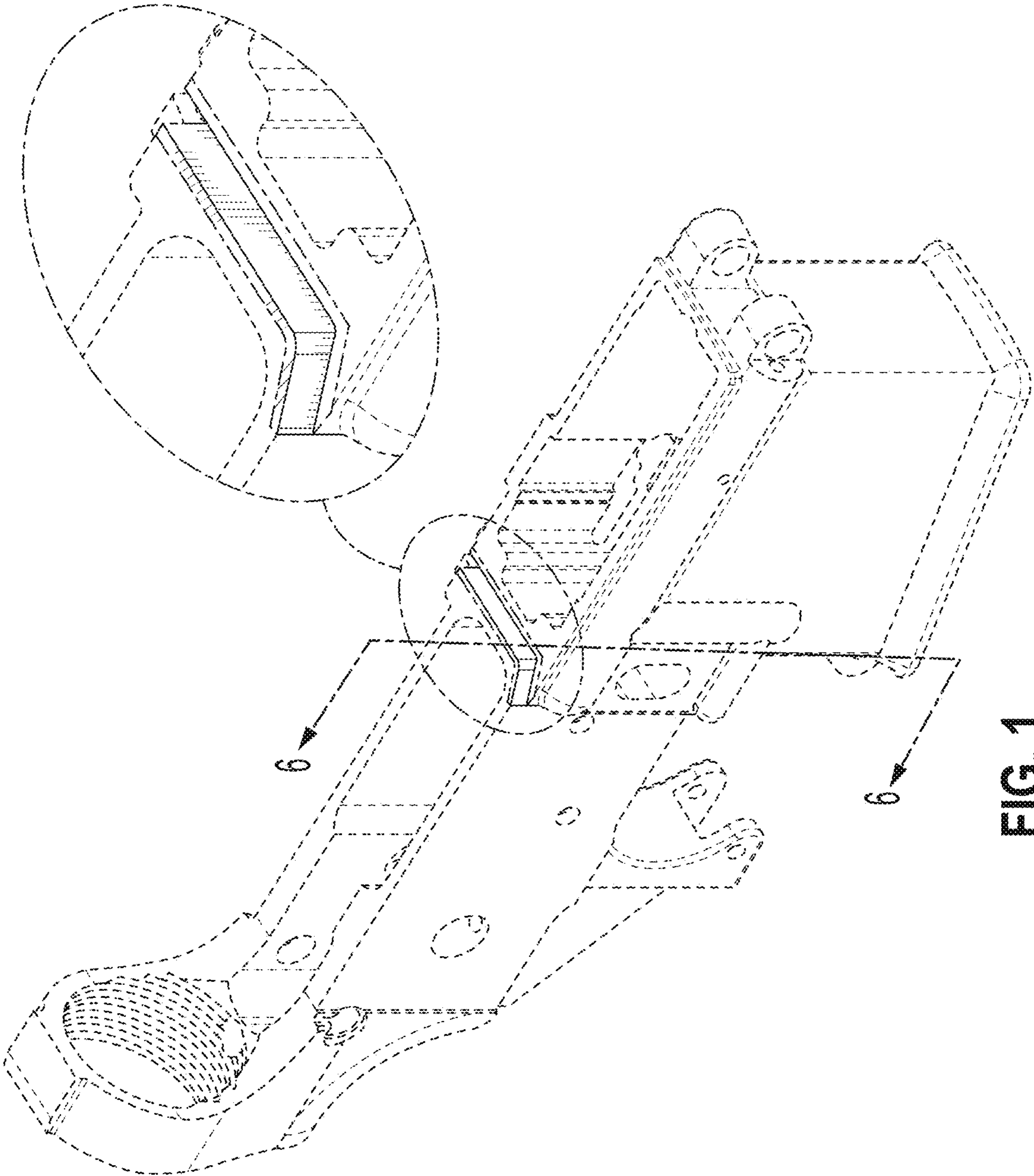


FIG. 1

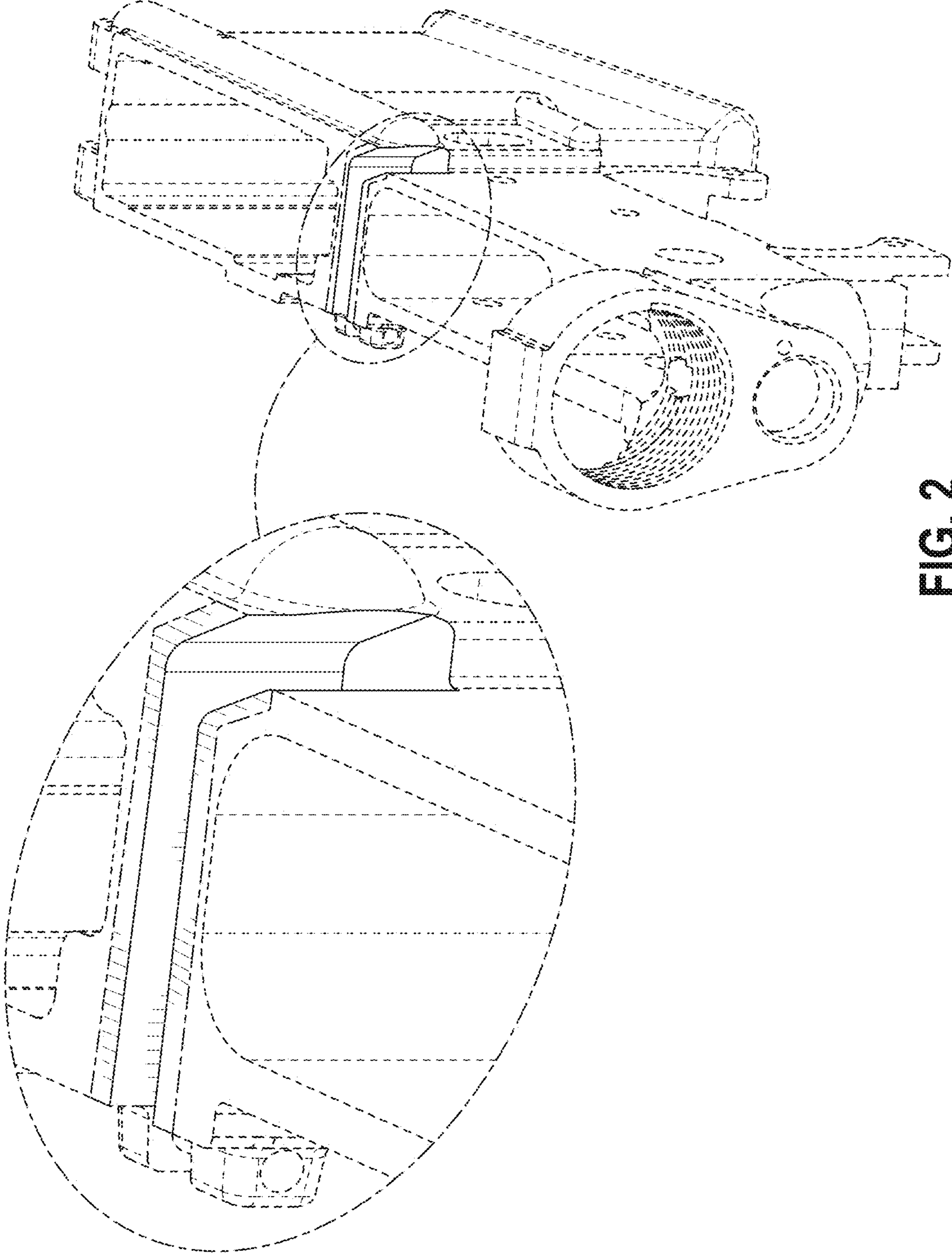


FIG. 2

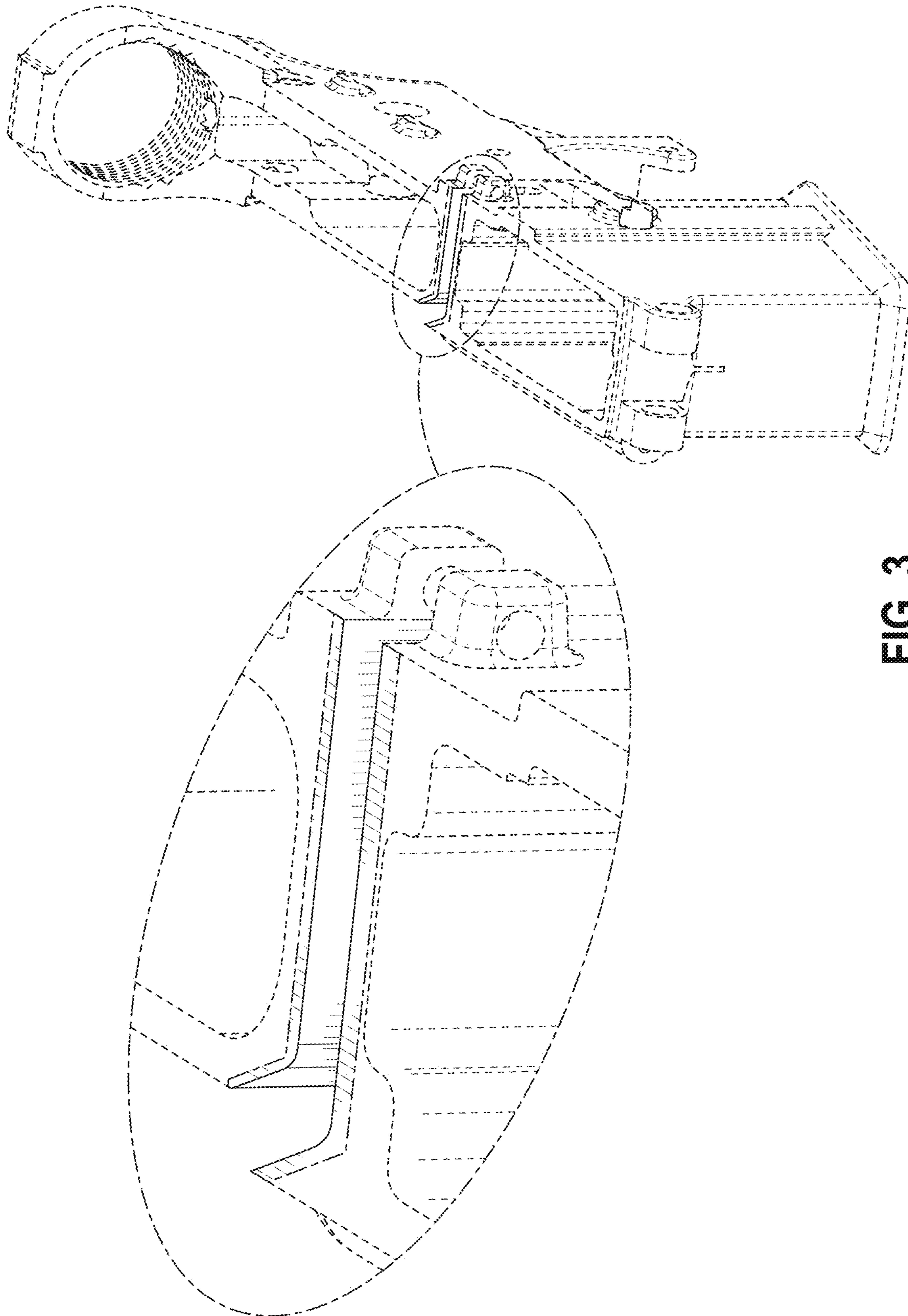


FIG. 3

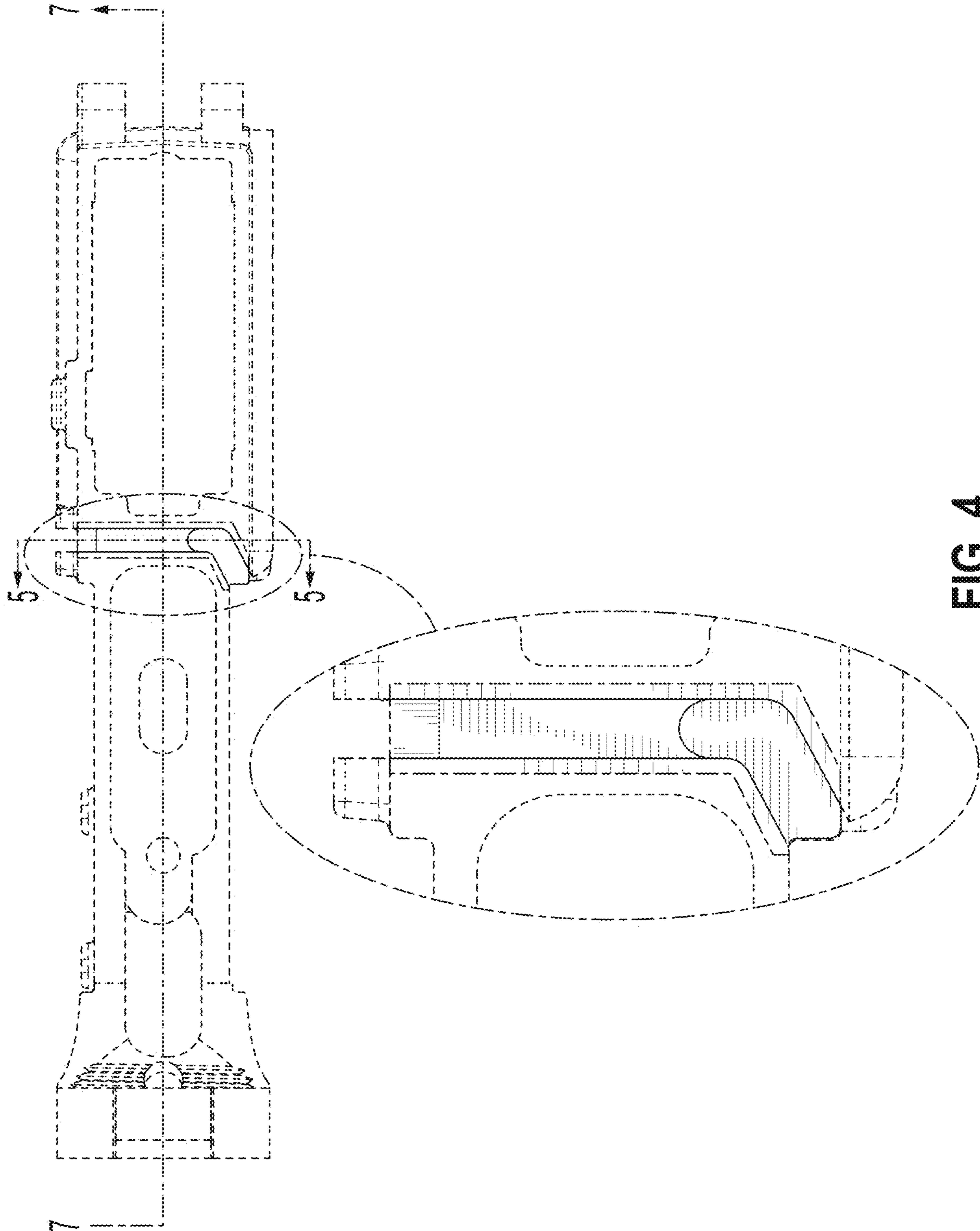


FIG. 4

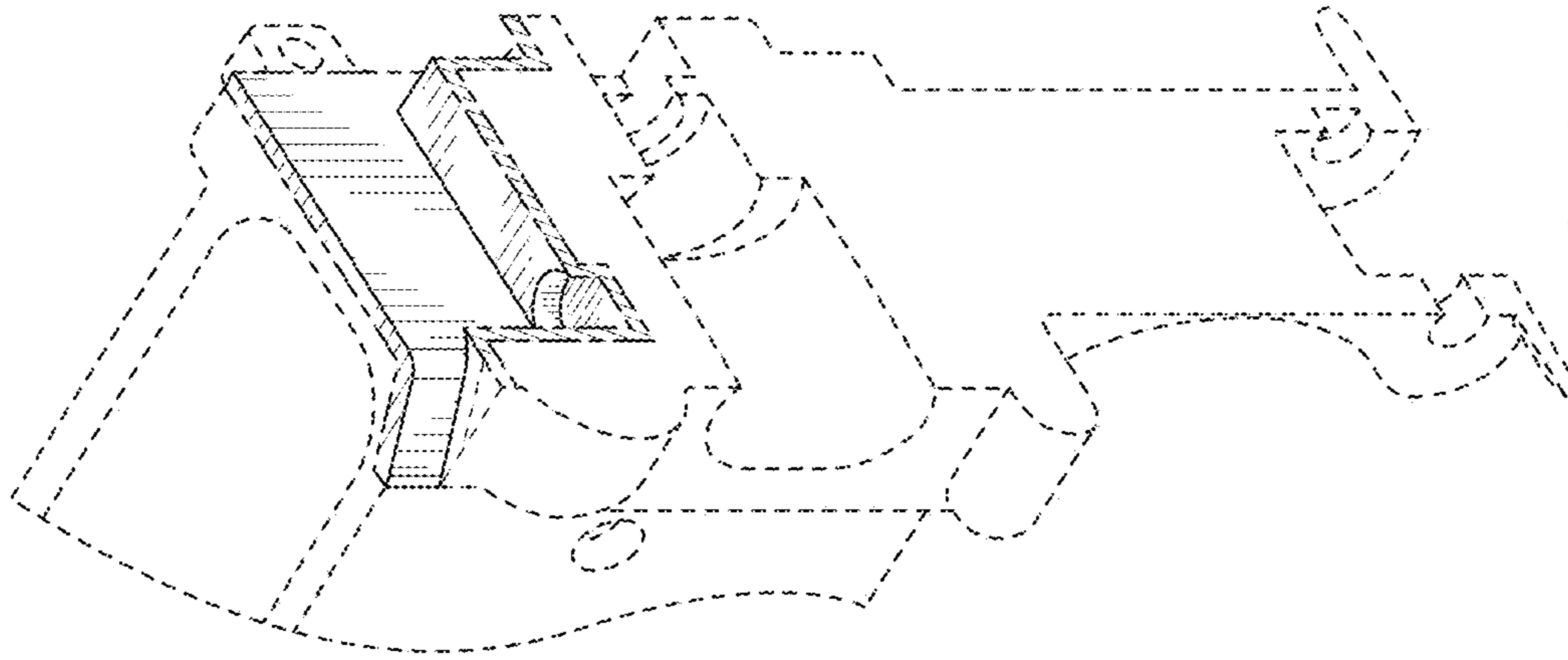


FIG. 6

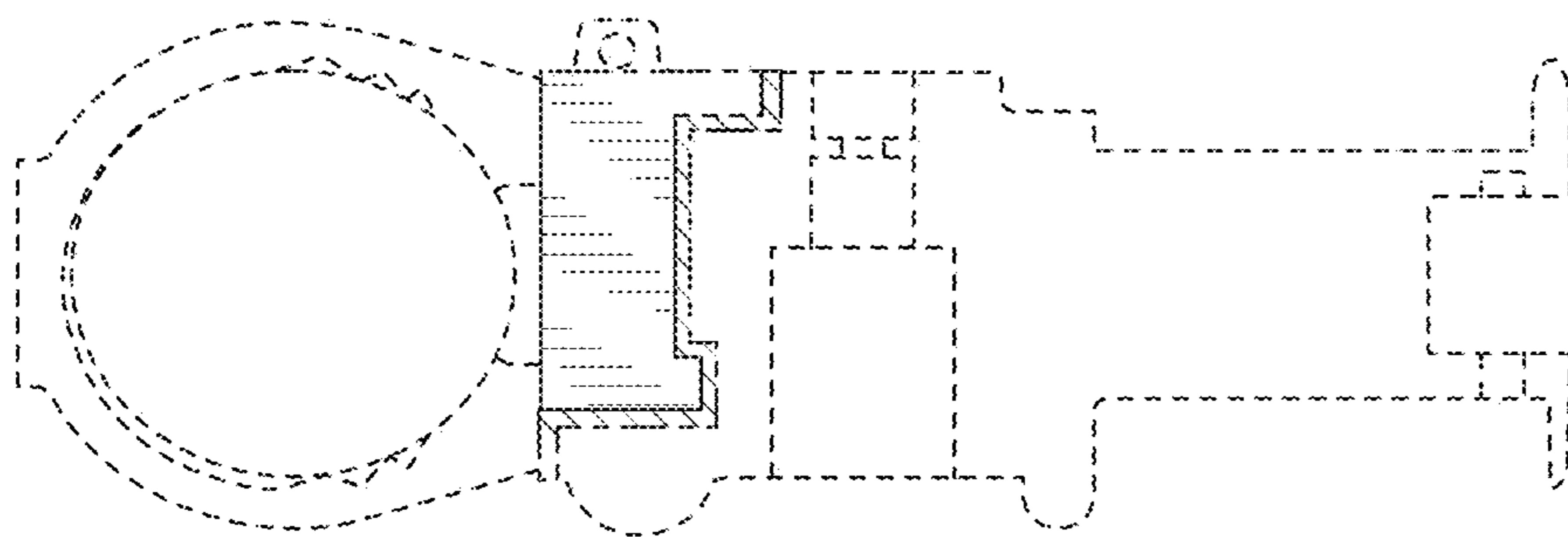


FIG. 5

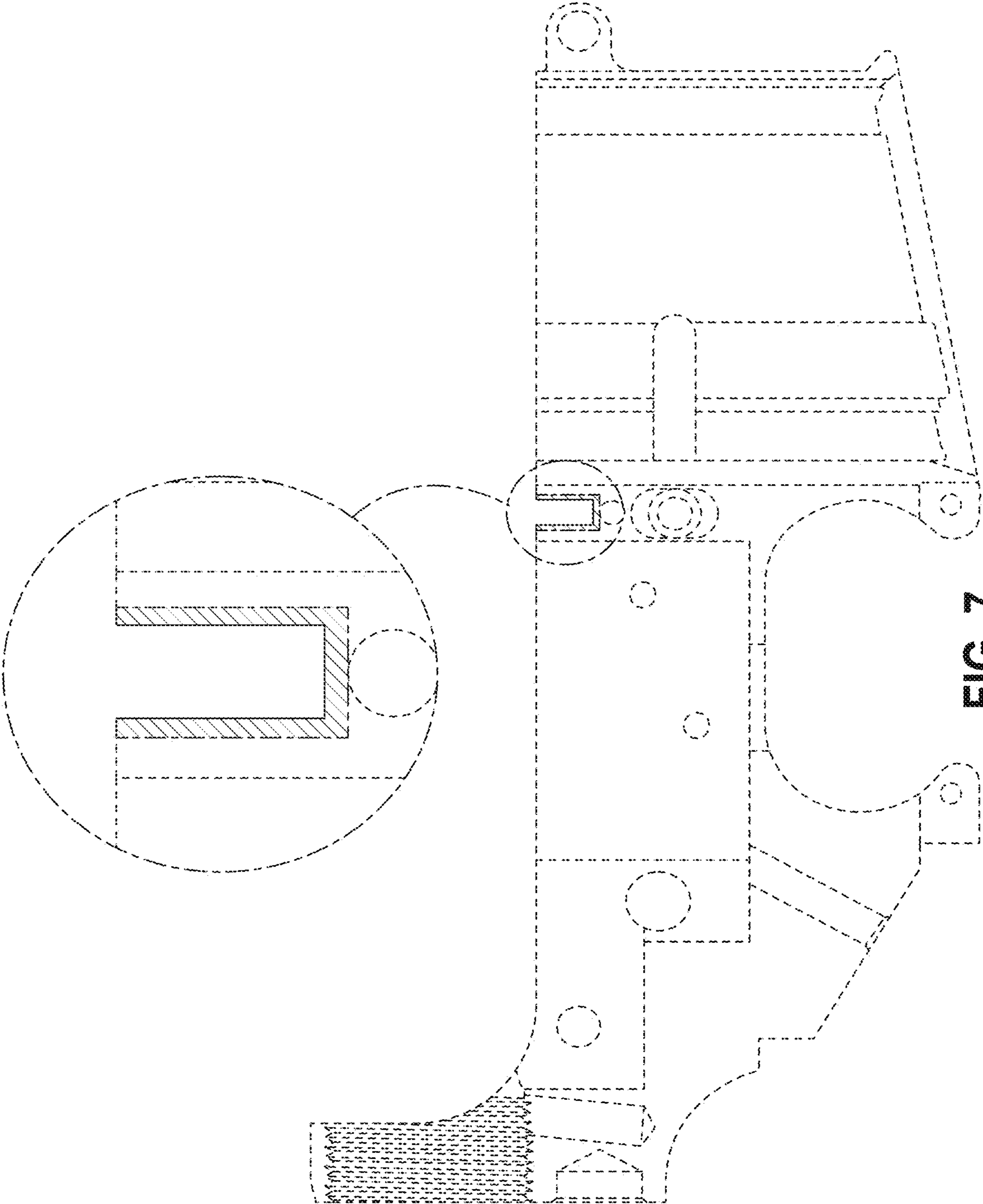


FIG. 7

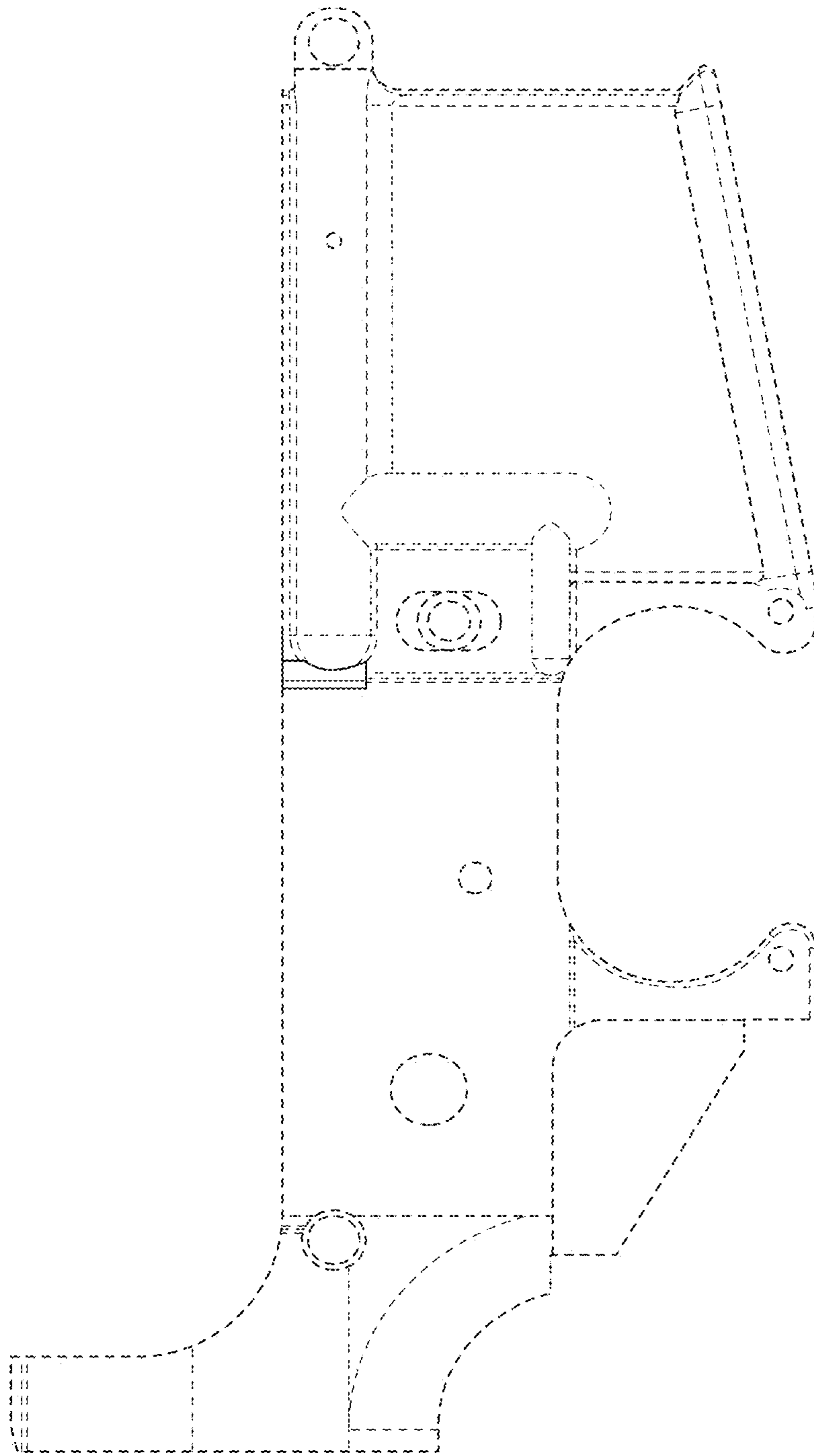


FIG. 8

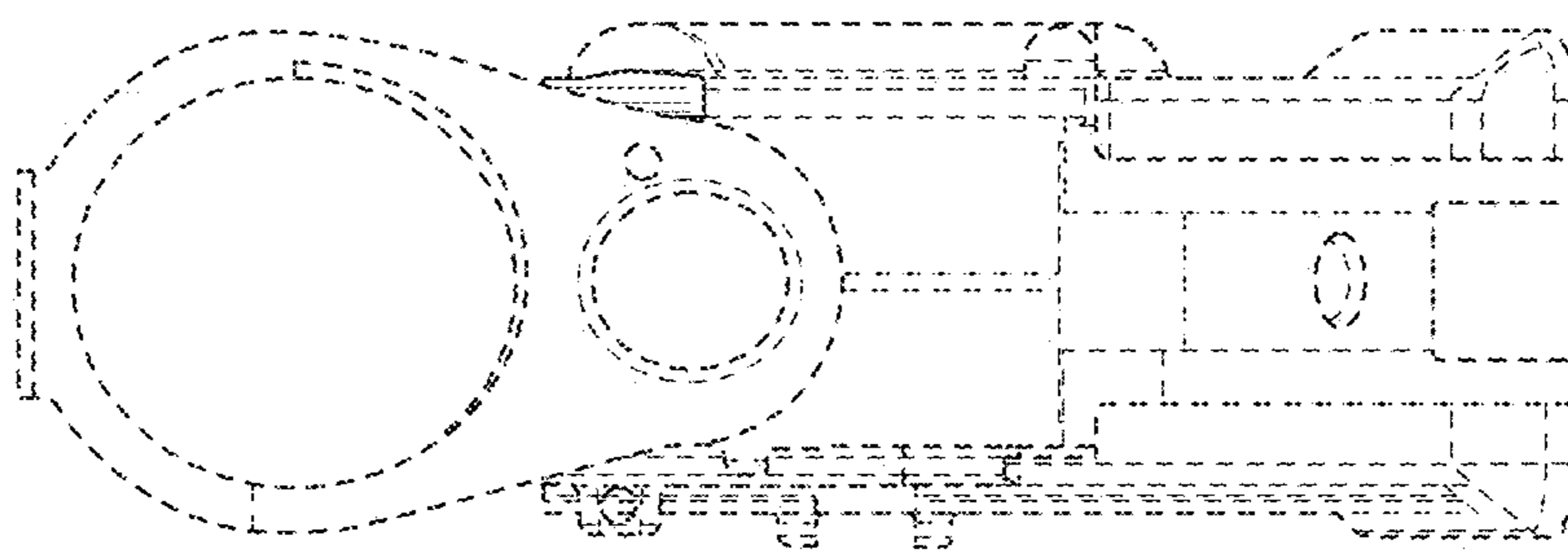


FIG. 9

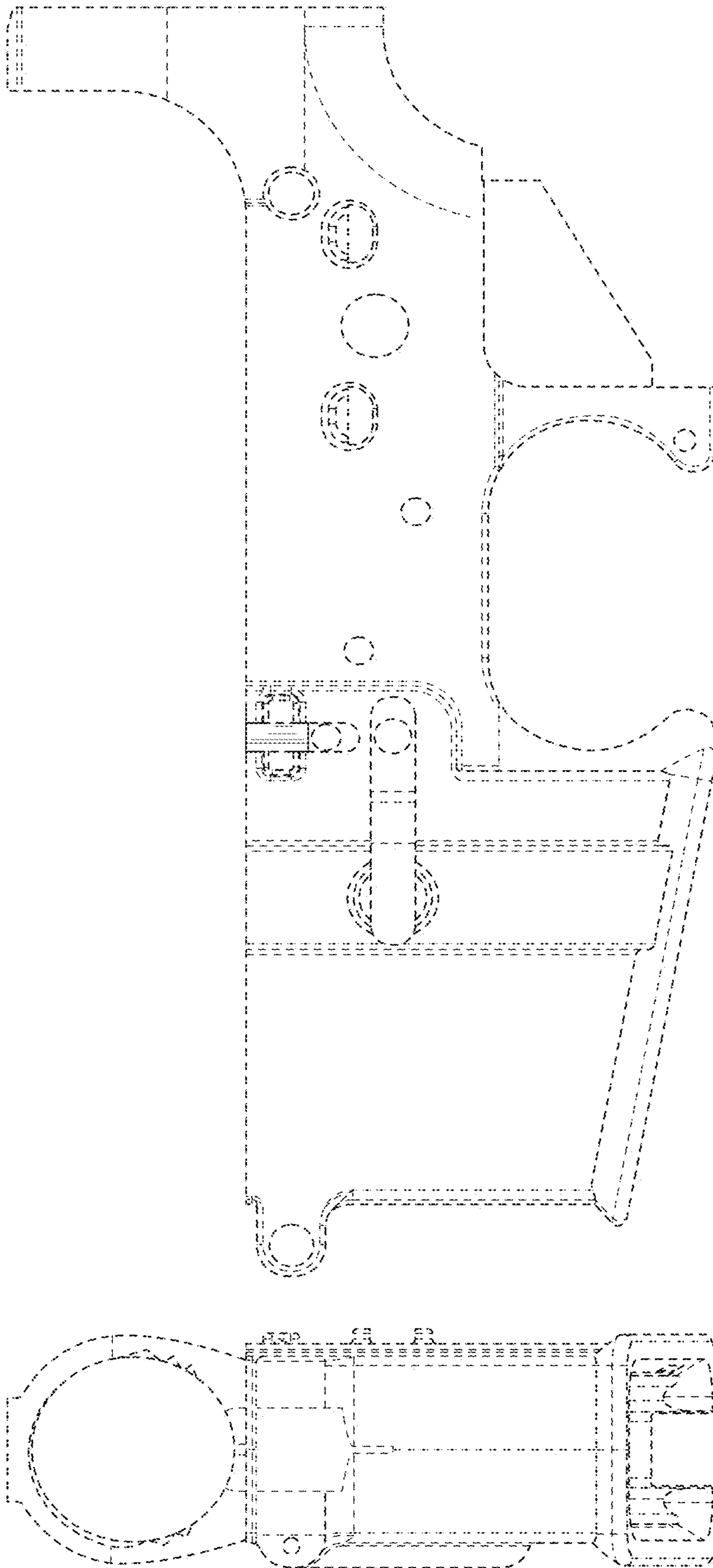


FIG. 11

FIG. 10