



US00D918324S

(12) **United States Design Patent**
Qubadi

(10) **Patent No.:** **US D918,324 S**

(45) **Date of Patent:** **** *May 4, 2021**

(54) **PUNCHING BAG**

(71) Applicant: **Shoab Qubadi**, Canoga Park, CA (US)

(72) Inventor: **Shoab Qubadi**, Canoga Park, CA (US)

(*) Notice: This patent is subject to a terminal disclaimer.

(**) Term: **15 Years**

(21) Appl. No.: **29/619,158**

(22) Filed: **Sep. 27, 2017**

(51) **LOC (13) Cl.** **21-02**

(52) **U.S. Cl.**
USPC **D21/787**

(58) **Field of Classification Search**
USPC D21/438, 439, 698, 787, 798; 482/86, 482/87, 89, 90; 473/442
CPC A63B 43/007; A63B 69/201; A63B 69/20; A63B 225/00; A63B 2244/00; A63G 9/00
See application file for complete search history.

(56) **References Cited**

U.S. PATENT DOCUMENTS

1,870,748	A *	8/1932	Ramey	A63G 9/00
					472/118
5,044,626	A *	9/1991	Parker, Jr.	A61H 15/0092
					482/132
5,328,425	A *	7/1994	Knighton	A63B 69/201
					482/86
5,611,761	A *	3/1997	Brown	A63G 9/00
					473/442
5,624,358	A *	4/1997	Hestilow	A63B 69/208
					482/83

D402,725	S *	12/1998	Anterhaus	D21/787
D409,670	S *	5/1999	Kuo	D21/662
7,063,648	B1 *	6/2006	Brigham	A63B 6/00
					248/346.2
7,086,997	B1 *	8/2006	Fields	A63B 69/004
					482/83
D675,696	S *	2/2013	Fu	D21/798
D709,976	S *	7/2014	Clauder	D21/787
2011/0251024	A1 *	10/2011	Hu	A63B 69/20
					482/90
2013/0331235	A1 *	12/2013	Fields	A63B 69/208
					482/83
2018/0001176	A1 *	1/2018	Siklosi	A63B 69/208

* cited by examiner

Primary Examiner — Sandra Snapp
Assistant Examiner — Mehri F. Bajoul
(74) *Attorney, Agent, or Firm* — Dunlap Bennett & Ludwig, PLLC; Brendan E. Squire

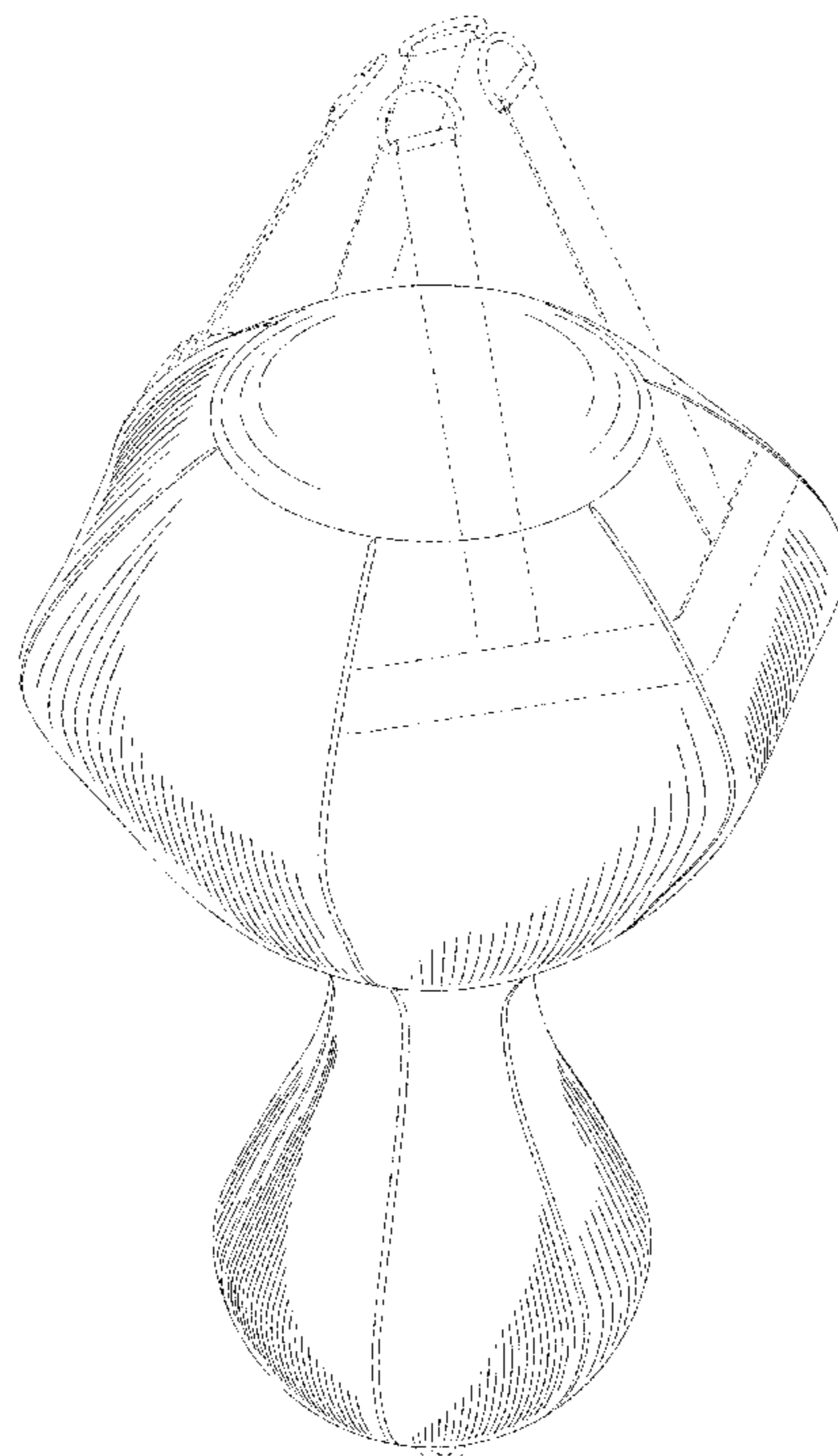
(57) **CLAIM**

The ornamental design for a punching bag, as shown and described.

DESCRIPTION

FIG. 1 is a perspective view of the punching bag showing my new design;
FIG. 2 is a front elevation view thereof; the rear elevation view being a mirror image thereof;
FIG. 3 is a right side elevation view thereof; the left side elevation being a mirror image thereof;
FIG. 4 is a top plan view thereof; and,
FIG. 5 is a bottom plan view thereof.
The broken lines shown in the drawings illustrate portions of the punching bag that form no part of the claimed design.

1 Claim, 4 Drawing Sheets



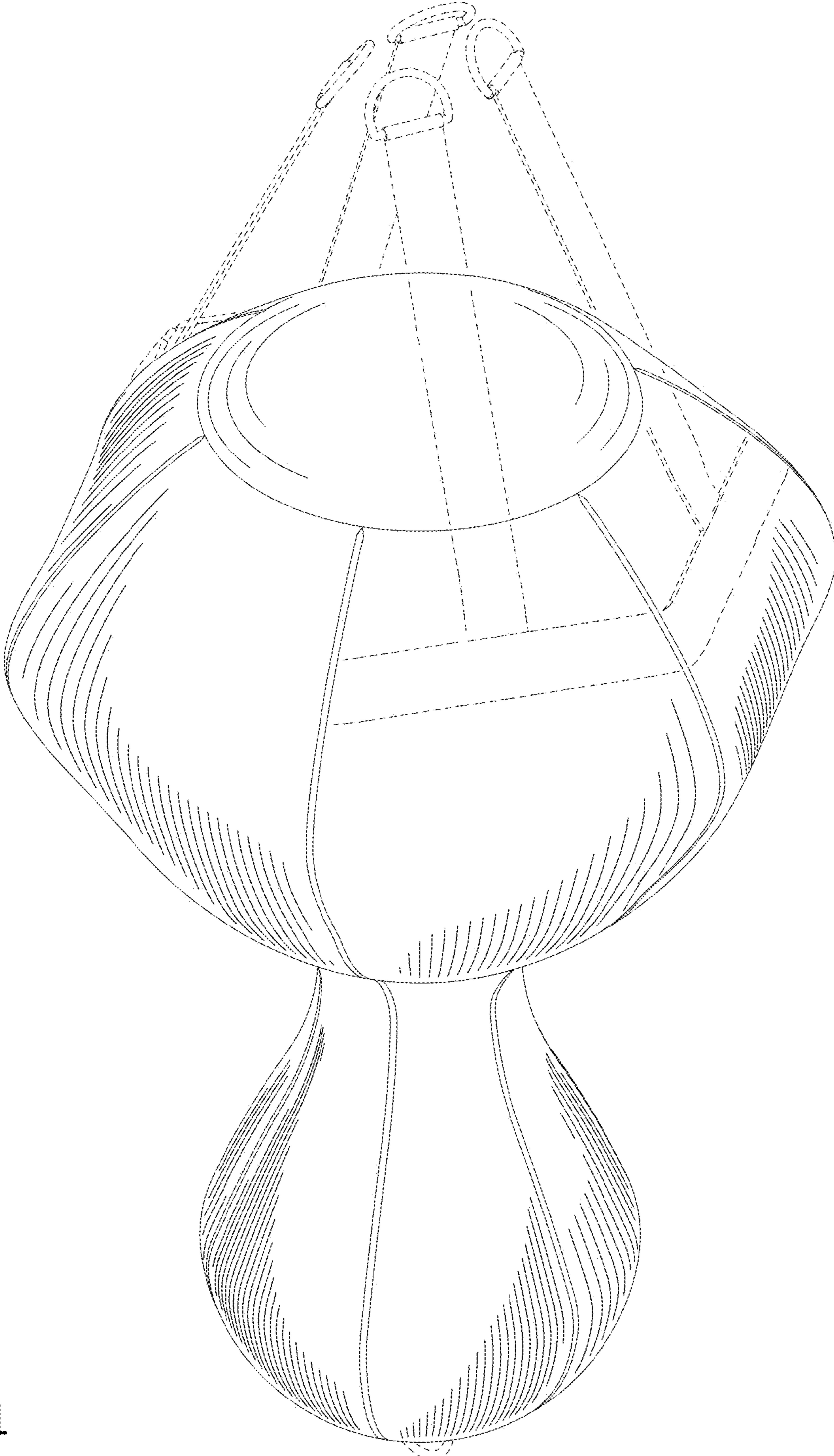


FIG.1

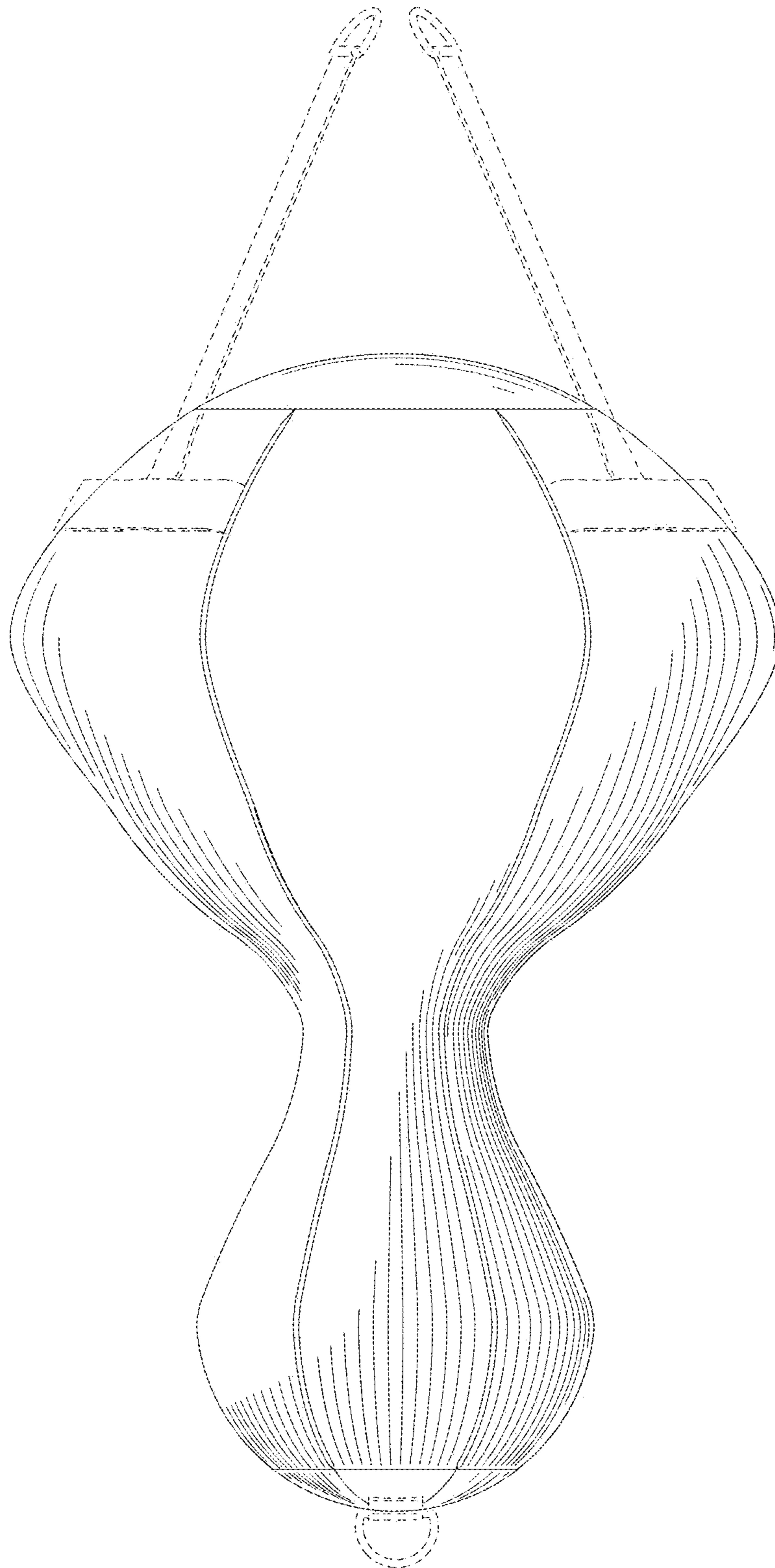


FIG. 2

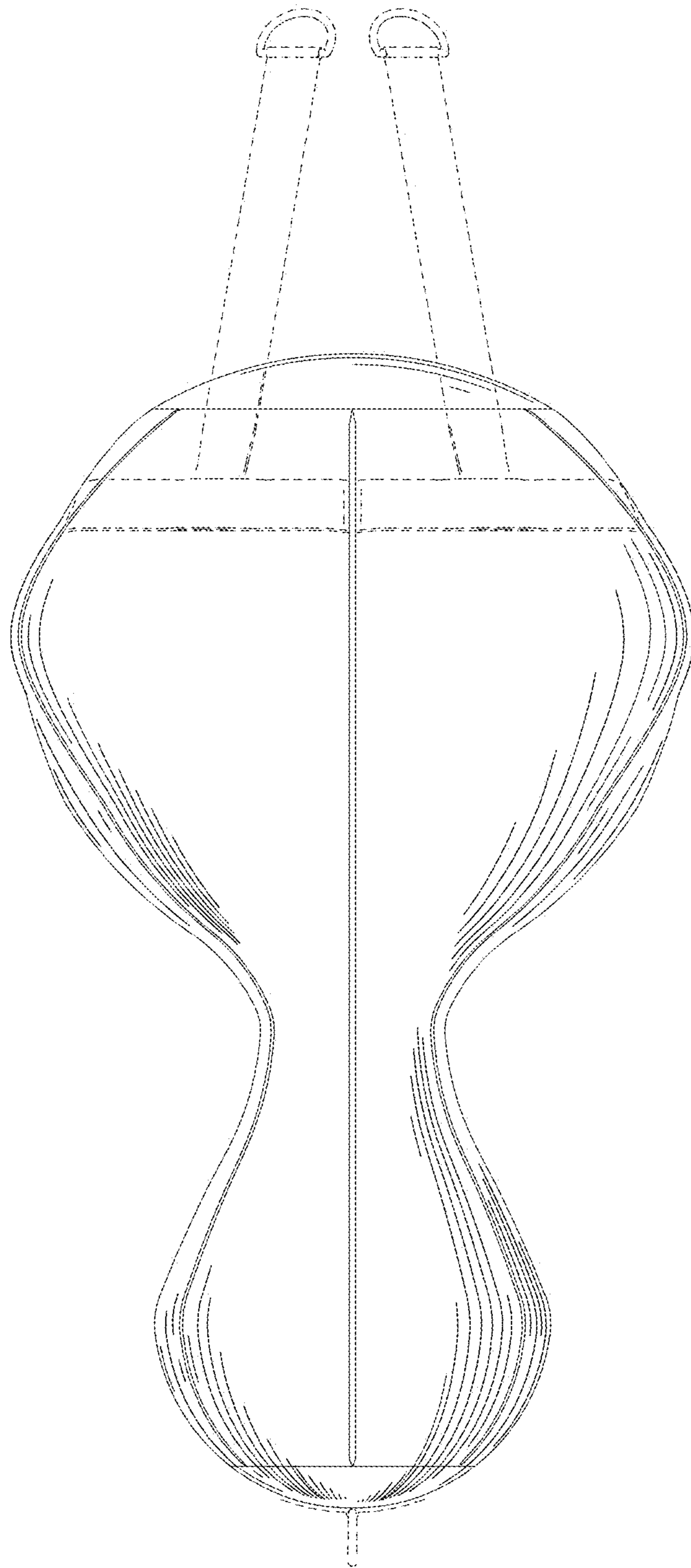


FIG.3

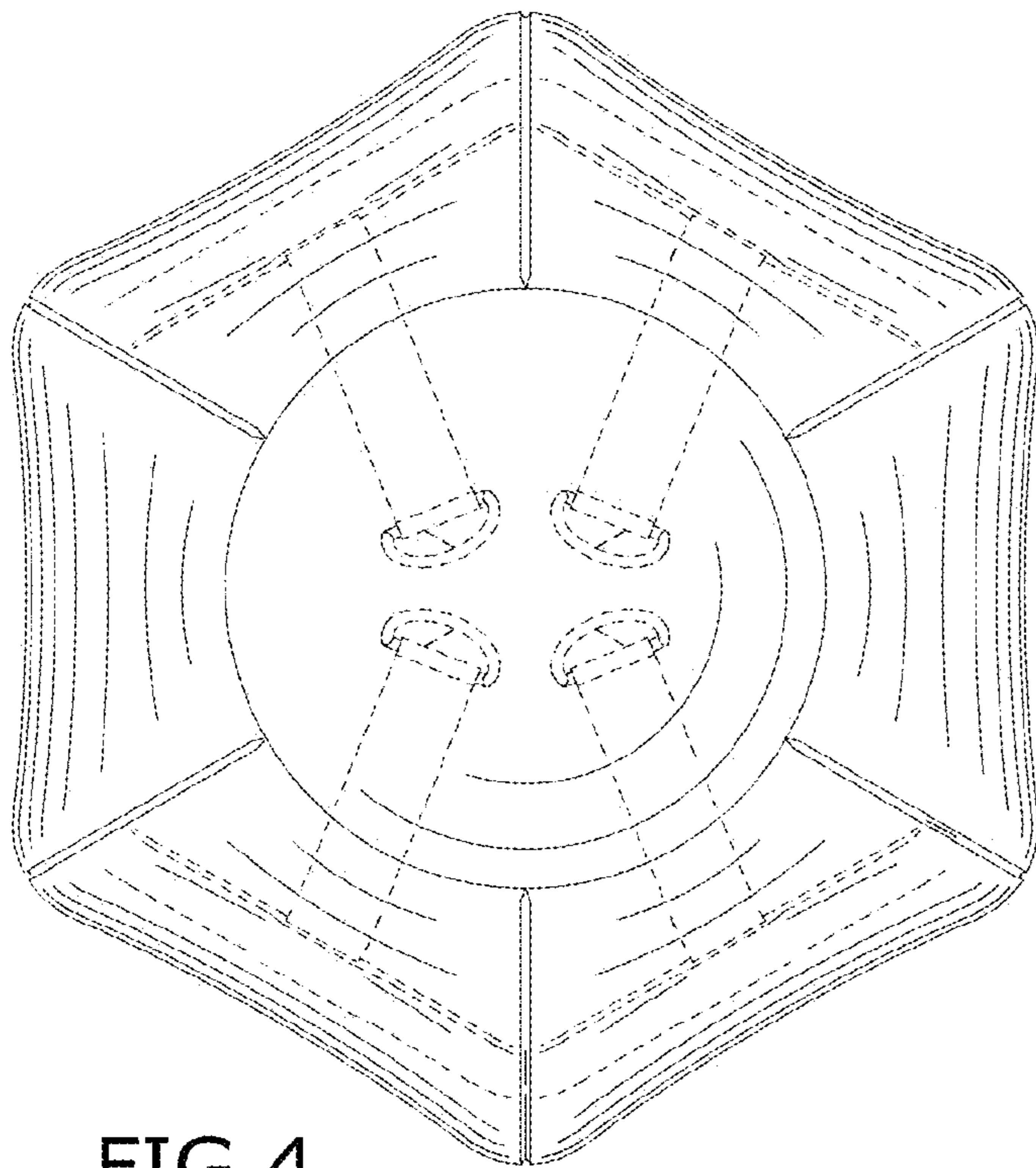


FIG. 4

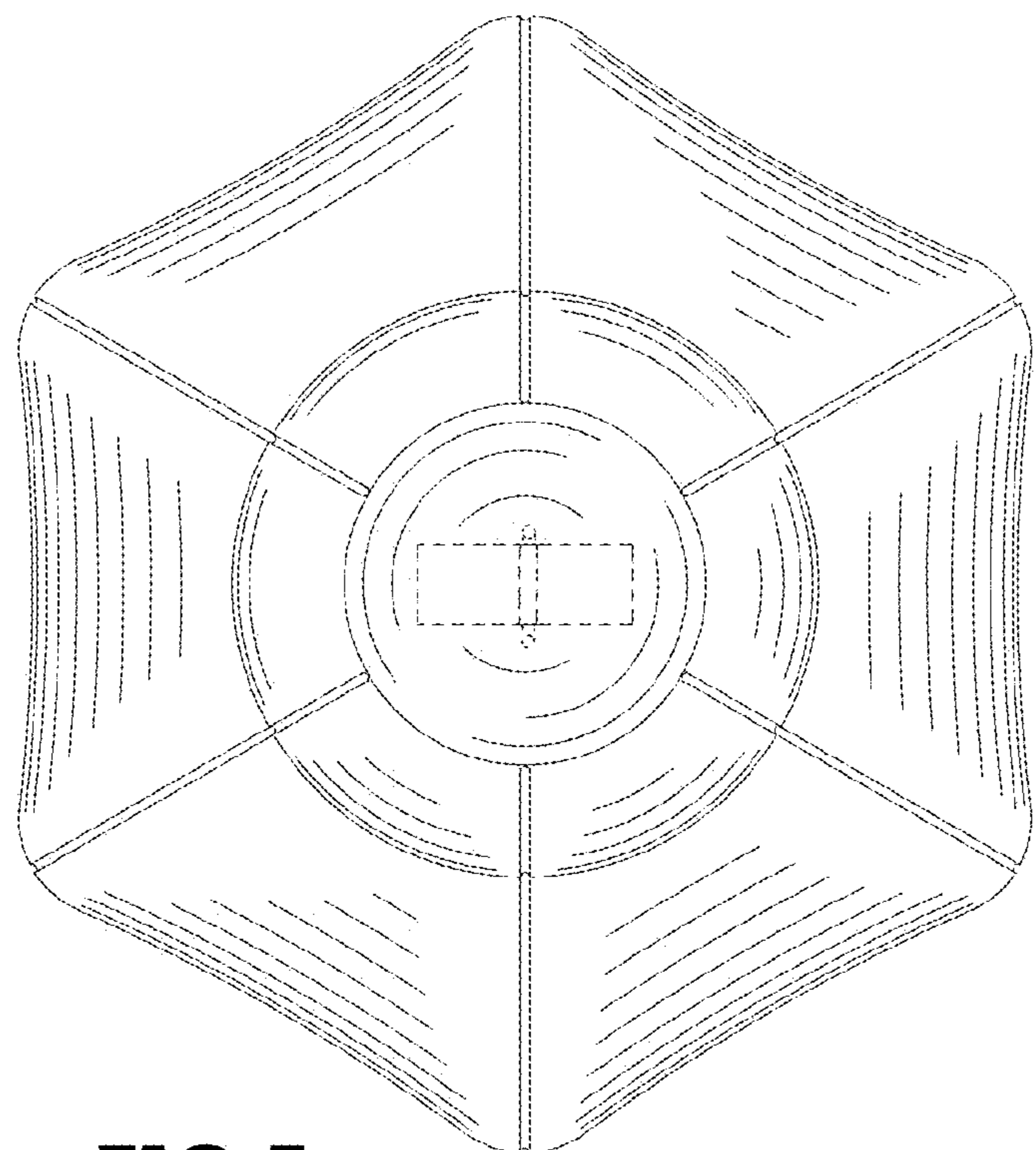


FIG. 5