



US00D918323S

(12) **United States Design Patent**
Birkemeier et al.

(10) **Patent No.:** **US D918,323 S**

(45) **Date of Patent:** **** May 4, 2021**

- (54) **SPORTS MOUNT**
- (71) Applicant: **ShredLife Inc.**, San Diego, CA (US)
- (72) Inventors: **Eric Birkemeier**, San Diego, CA (US);
Kyle Kitzmiller, San Diego, CA (US)
- (73) Assignee: **SHREDLIFE INC.**, San Diego, CA (US)

6,378,828 B1 * 4/2002 Valiulis A47F 5/0838
211/59.1
D477,043 S * 7/2003 Mohoney D21/768
D536,638 S * 2/2007 Fildan D11/210
D543,447 S * 5/2007 Allsopp D8/394
D543,896 S * 6/2007 Gunnarsson D11/212
D552,462 S * 10/2007 Boyd D8/395
D570,247 S * 6/2008 Hajianpour D11/201
D586,718 S * 2/2009 Morita D12/223

* cited by examiner

(**) Term: **15 Years**

Primary Examiner — Michael C Stout

Assistant Examiner — Melvin L Davis

(21) Appl. No.: **29/704,818**

(74) *Attorney, Agent, or Firm* — Kilpatrick Townsend & Stockton LLP

(22) Filed: **Sep. 6, 2019**

(51) **LOC (13) Cl.** **21-02**

(52) **U.S. Cl.**
USPC **D21/771; D16/250**

(57) **CLAIM**

The ornamental design for sports mount, as shown and described.

(58) **Field of Classification Search**
USPC D8/380, 382, 394–396, 399; D16/242,
D16/245; D14/205; D22/108; D21/694,
D21/771; D34/27
CPC E21B 19/06
See application file for complete search history.

DESCRIPTION

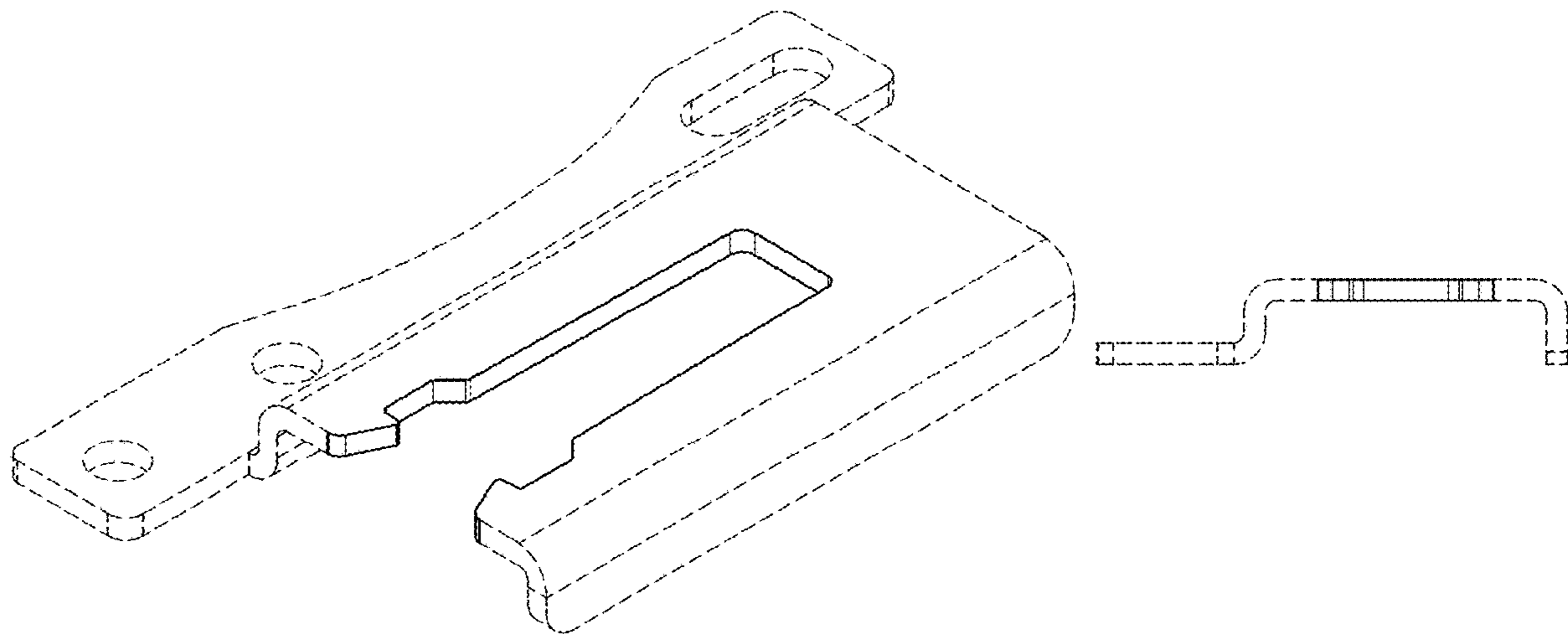
FIG. 1 is a perspective view of a sports mount showing our new design;
FIG. 2 is a front elevational view thereof;
FIG. 3 is a back elevational view thereof;
FIG. 4 is a left elevational view thereof;
FIG. 5 is a right elevational view thereof;
FIG. 6 is a top plan view thereof; and,
FIG. 7 is a bottom plan view thereof.
Broken lines in the drawings depict parts of the sports mount that form no part of the claimed design.

(56) **References Cited**

U.S. PATENT DOCUMENTS

- 4,314,433 A * 2/1982 Hulcombe E04D 1/34
52/521
- D269,389 S * 6/1983 Wood D11/212
- D369,327 S * 4/1996 Fildan 24/321
- 5,926,927 A * 7/1999 Winkler A41F 1/008
24/593.1
- D450,561 S * 11/2001 Moore D11/200

1 Claim, 5 Drawing Sheets



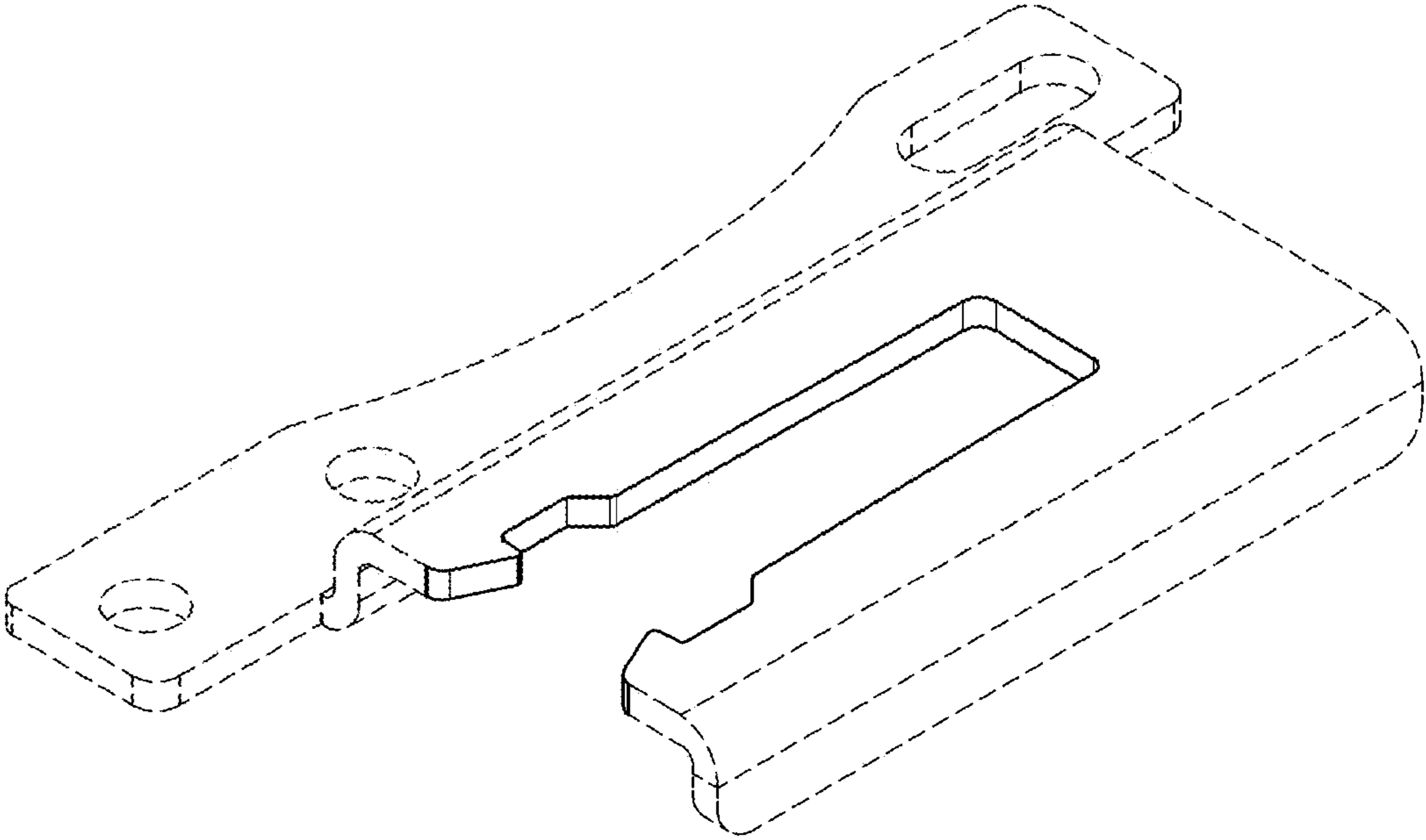


FIG. 1

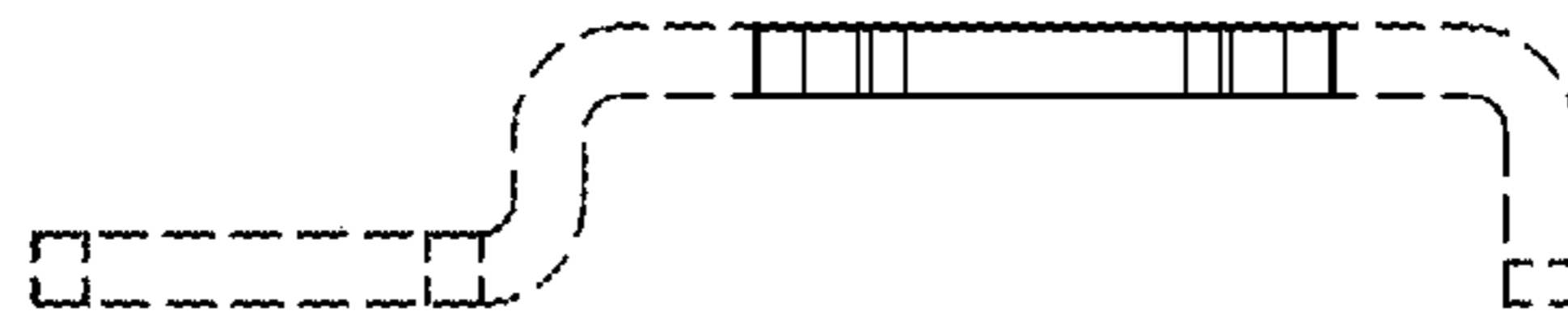


FIG. 2

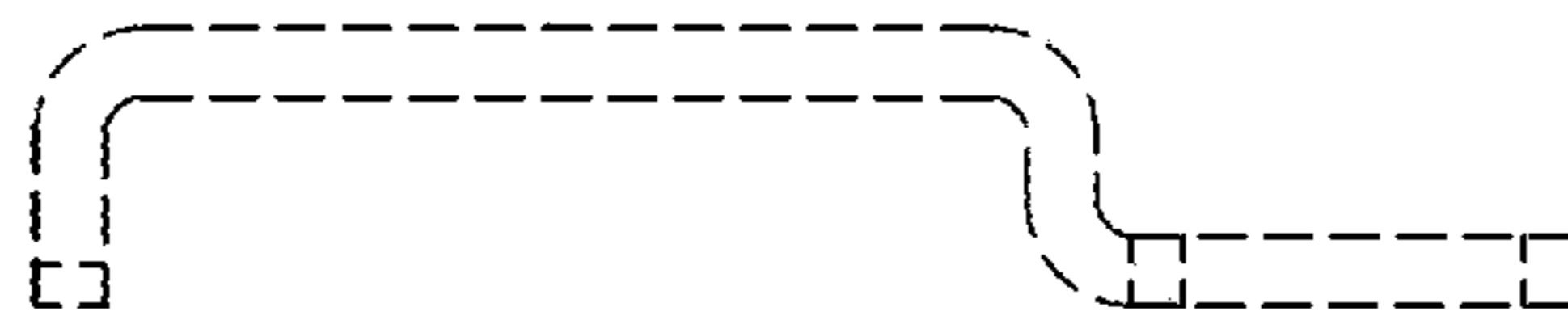


FIG. 3



FIG. 4

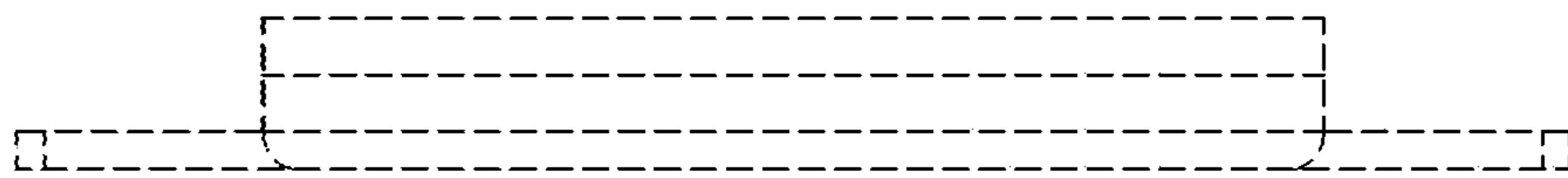


FIG. 5

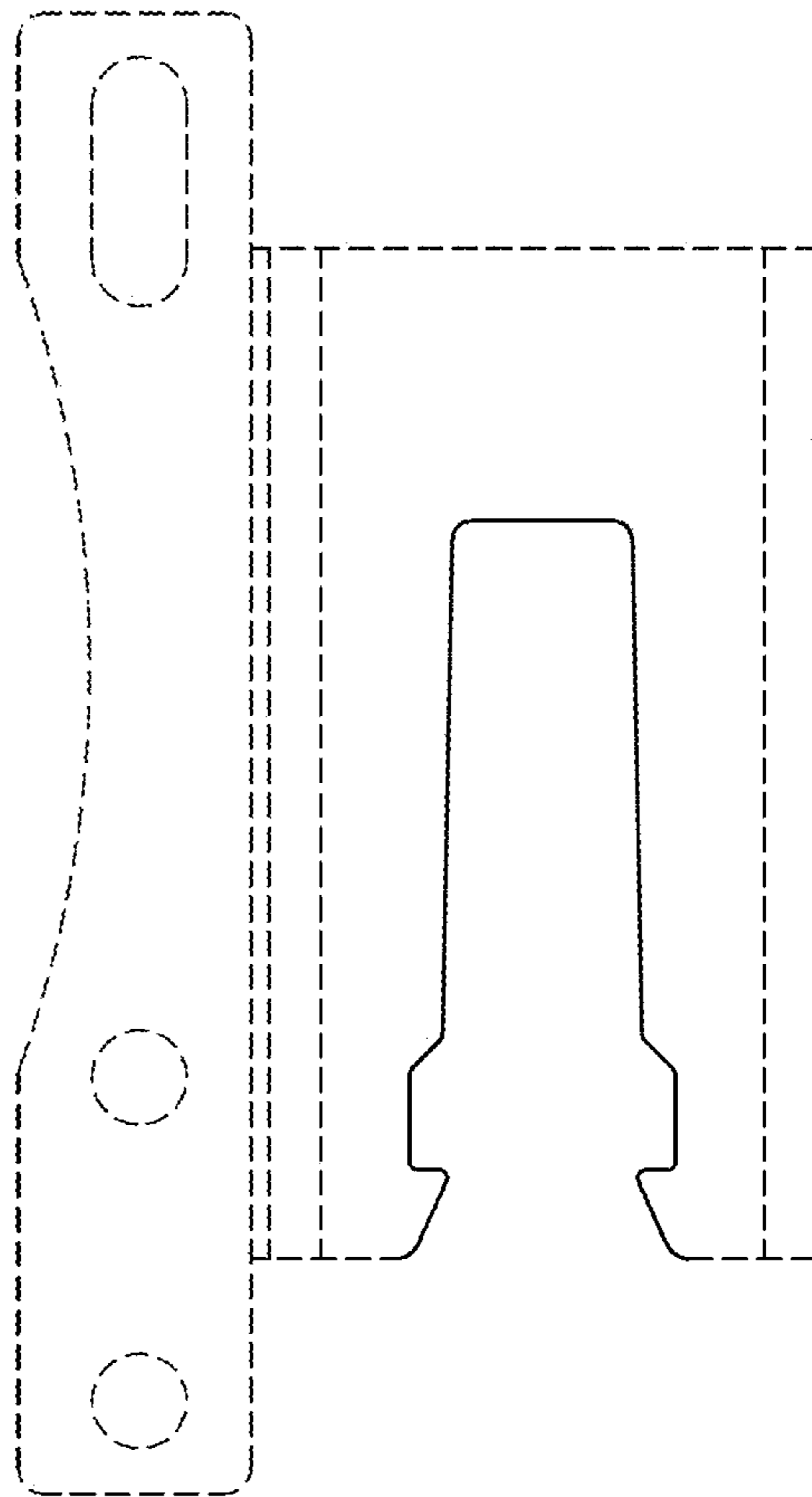


FIG. 6

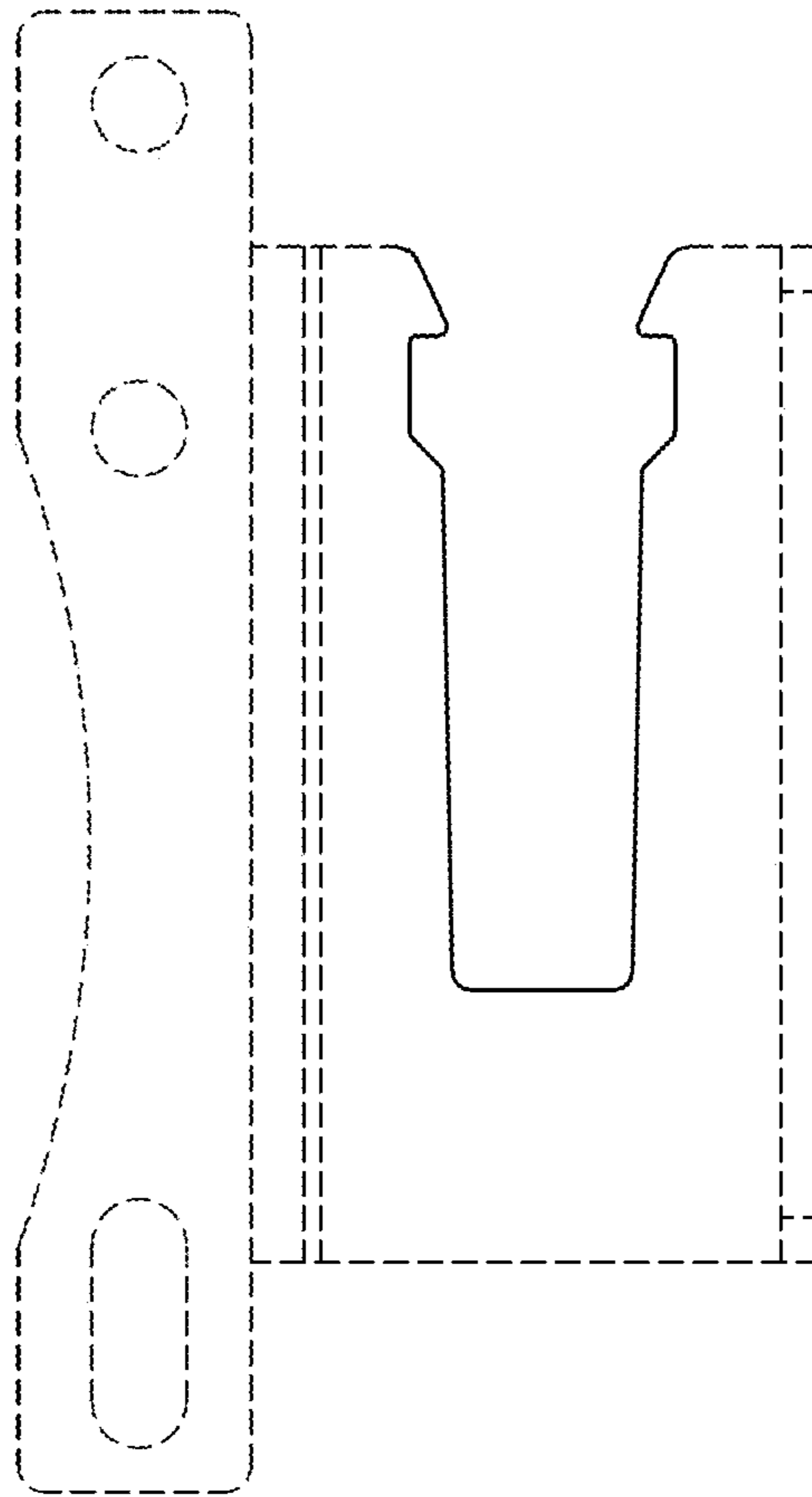


FIG. 7