



US00D918322S

(12) **United States Design Patent** (10) **Patent No.:** **US D918,322 S**  
**Fagerberg** (45) **Date of Patent:** **\*\* May 4, 2021**

(54) **SKATEBOARD**  
(71) Applicant: **Terrasurf, LLC**, Austin, TX (US)  
(72) Inventor: **Richard Patrick Fagerberg**, Austin, TX (US)  
(73) Assignee: **Acme Land Surf Co., LLC**, Austin, TX (US)  
(\*\*) Term: **15 Years**  
(21) Appl. No.: **29/714,898**  
(22) Filed: **Nov. 26, 2019**  
(51) **LOC (13) Cl.** ..... **21-02**  
(52) **U.S. Cl.**  
USPC ..... **D21/765**  
(58) **Field of Classification Search**  
USPC ..... D21/419, 421, 423, 760, 763, 765, 771;  
D12/1  
CPC . A63C 17/0001; A63C 17/011; A63C 17/012;  
A63C 17/013; A63C 17/014; A63C  
17/015; A63C 17/017; A63C 2203/42  
See application file for complete search history.

D838,793 S \* 1/2019 Pang ..... D21/765  
10,226,683 B2 \* 3/2019 Chen ..... A63C 17/0033  
10,369,453 B2 \* 8/2019 Bigler ..... A63C 17/014  
D882,008 S \* 4/2020 Kumada ..... D21/765  
2007/0254789 A1 \* 11/2007 Odien ..... A63B 26/003  
482/146  
2010/0330876 A1 \* 12/2010 Carlson ..... A63H 17/26  
446/462  
2015/0107922 A1 \* 4/2015 Bigler ..... A63C 17/12  
180/181  
2016/0001166 A1 \* 1/2016 Kumada ..... A63C 17/12  
280/87.03  
2016/0136508 A1 \* 5/2016 Bigler ..... A63C 17/014  
180/181  
2018/0221753 A1 \* 8/2018 Chen ..... A63C 17/0033

\* cited by examiner

*Primary Examiner* — Cynthia M. Chin  
(74) *Attorney, Agent, or Firm* — Brian F. Russell; Russell Ng PLLC

(57) **CLAIM**

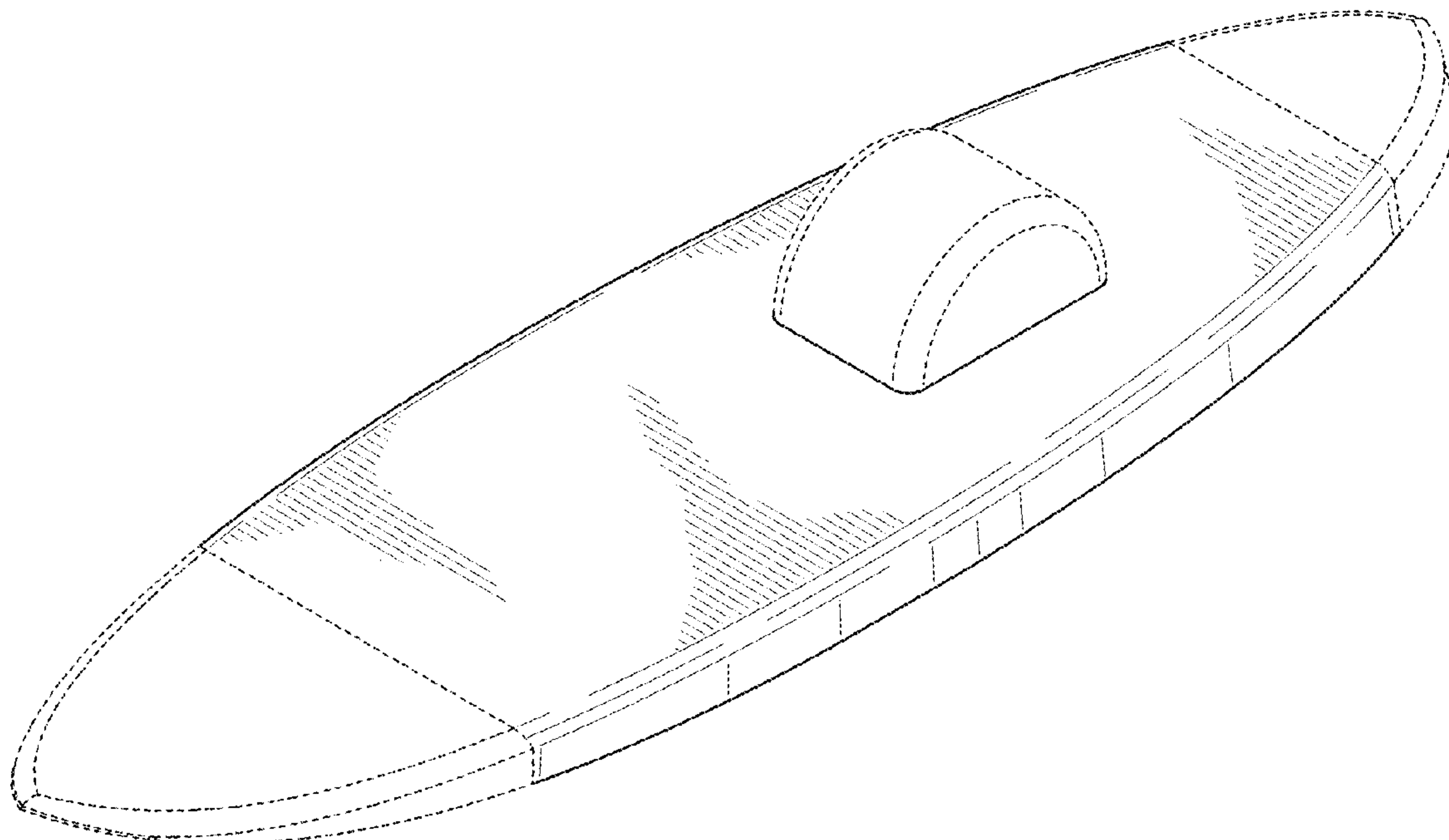
The ornamental design for a skateboard, as shown and described.

**DESCRIPTION**

FIG. 1 is a top perspective view of the skateboard.  
FIG. 2 is a bottom perspective view of the skateboard.  
FIG. 3 is a back elevation view of the skateboard.  
FIG. 4 is a front elevation view of the skateboard.  
FIG. 5 is a left side elevation view of the skateboard.  
FIG. 6 is a right side elevation view of the skateboard.  
FIG. 7 is a top plan view of the skateboard; and,  
FIG. 8 is a bottom plan view of the skateboard.  
The broken lines are for the purpose of illustrating portions of the skateboard that form no part of the claimed design.

**1 Claim, 6 Drawing Sheets**

(56) **References Cited**  
U.S. PATENT DOCUMENTS  
D456,047 S \* 4/2002 Mandic ..... D21/423  
D692,080 S \* 10/2013 Hamborg ..... D21/765  
8,857,831 B1 \* 10/2014 Rotondo ..... A63C 17/012  
280/87.042  
D768,252 S \* 10/2016 Bigler ..... D21/765  
D792,931 S \* 7/2017 Desberg ..... D21/765  
D797,875 S \* 9/2017 Ma ..... D21/765  
9,808,704 B1 \* 11/2017 Crossland ..... A63C 17/0086  
D827,747 S \* 9/2018 Ma ..... D21/765  
D827,748 S \* 9/2018 Desberg ..... D21/765



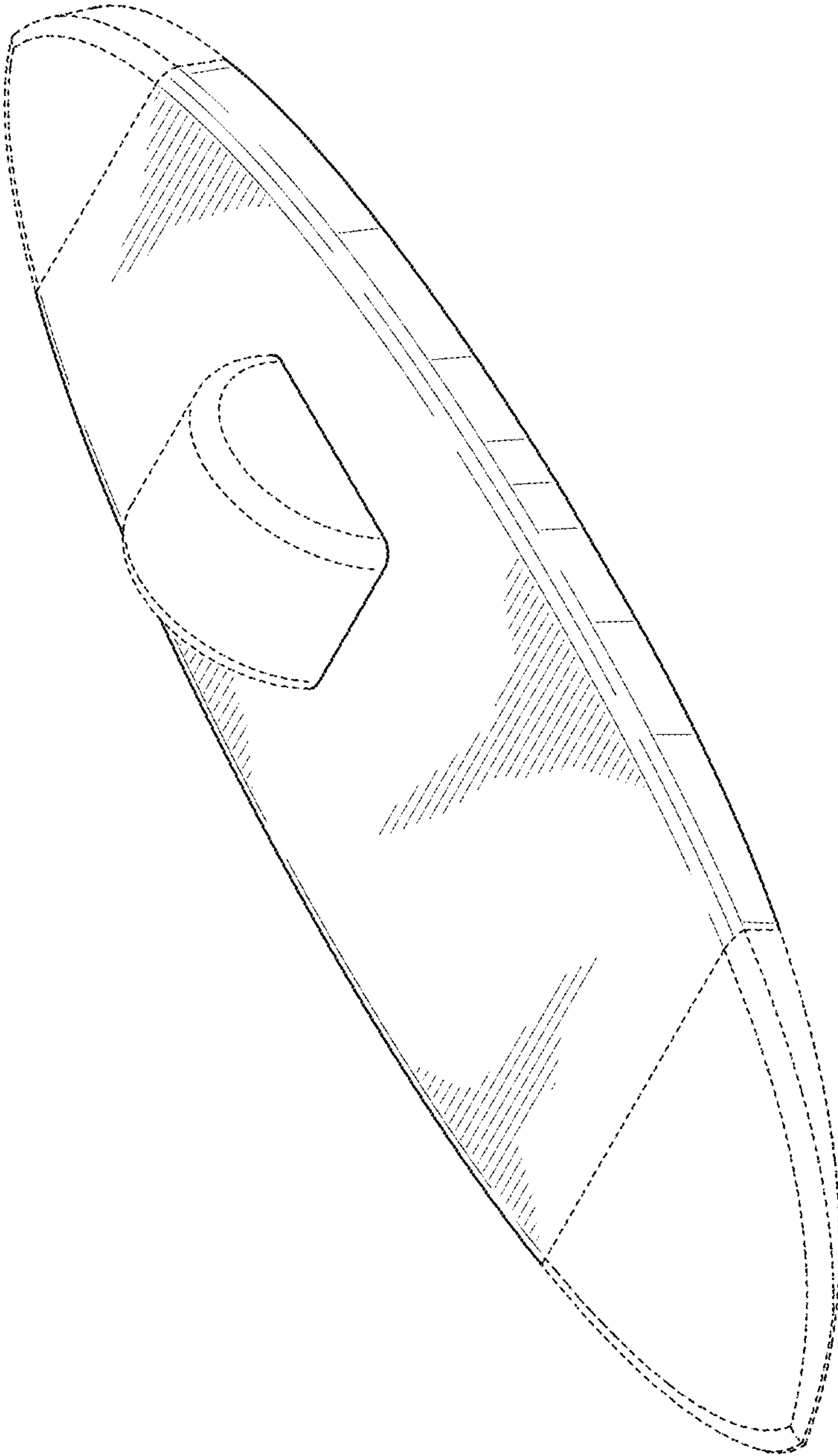


FIG. 1

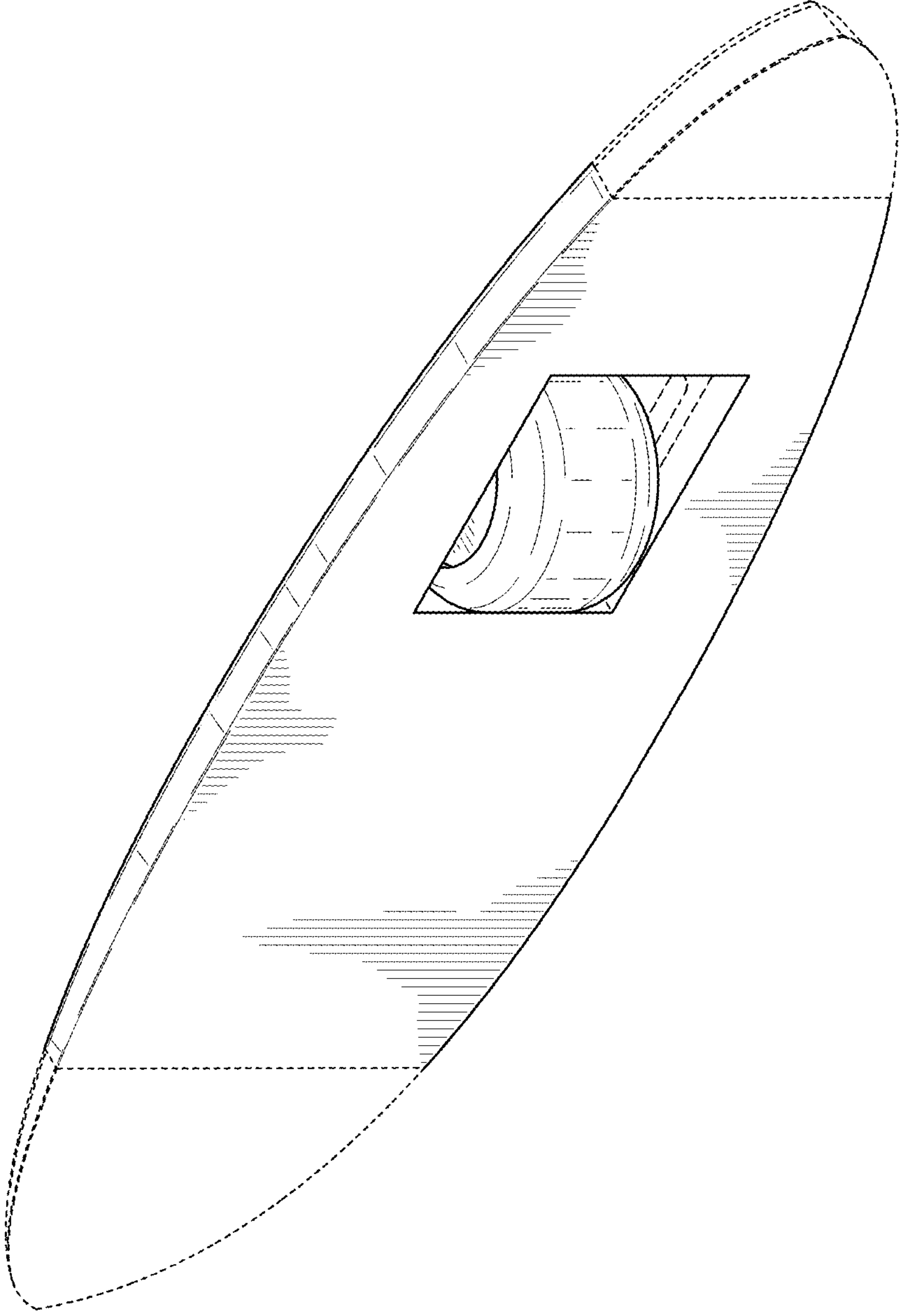


FIG. 2

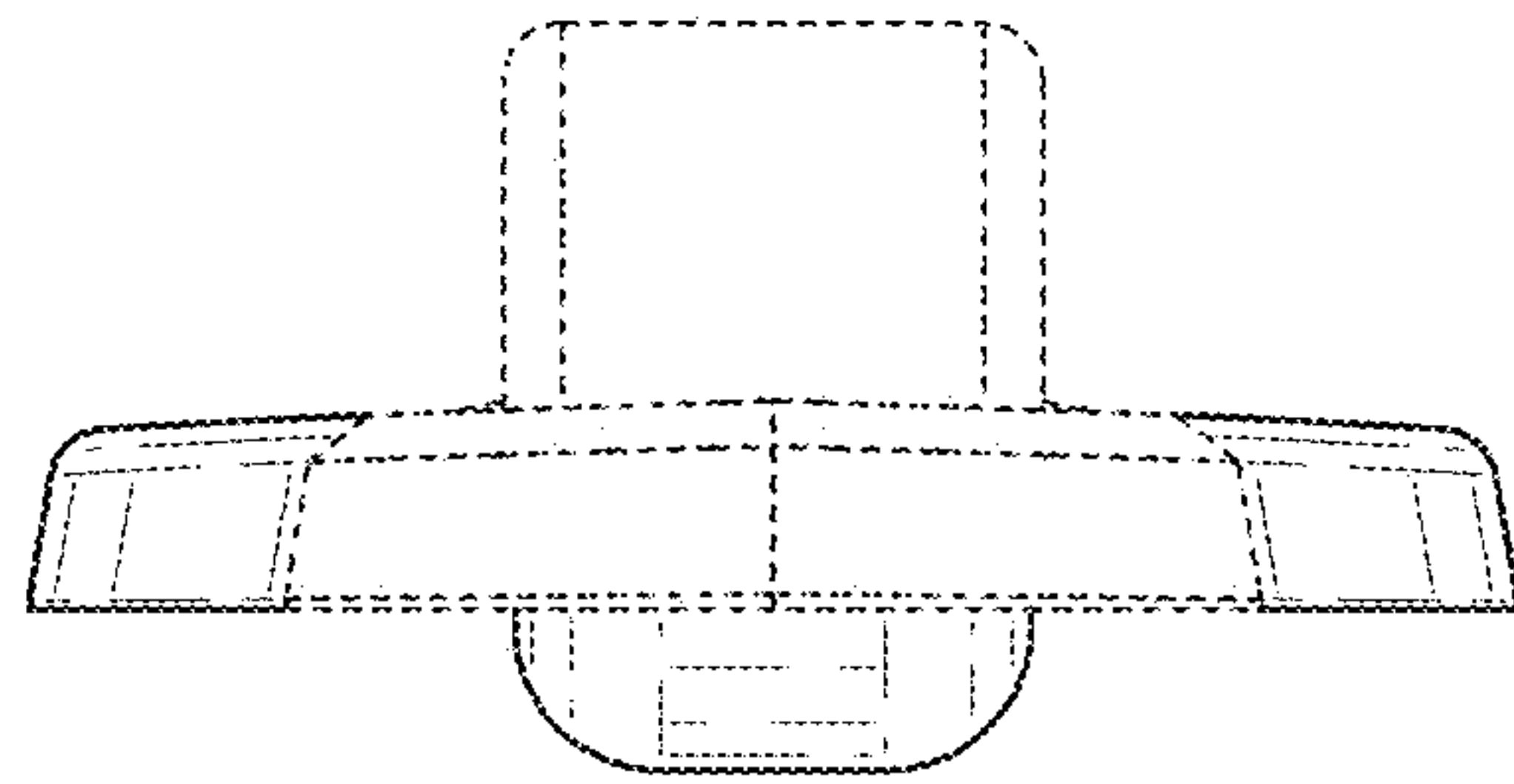


FIG. 3

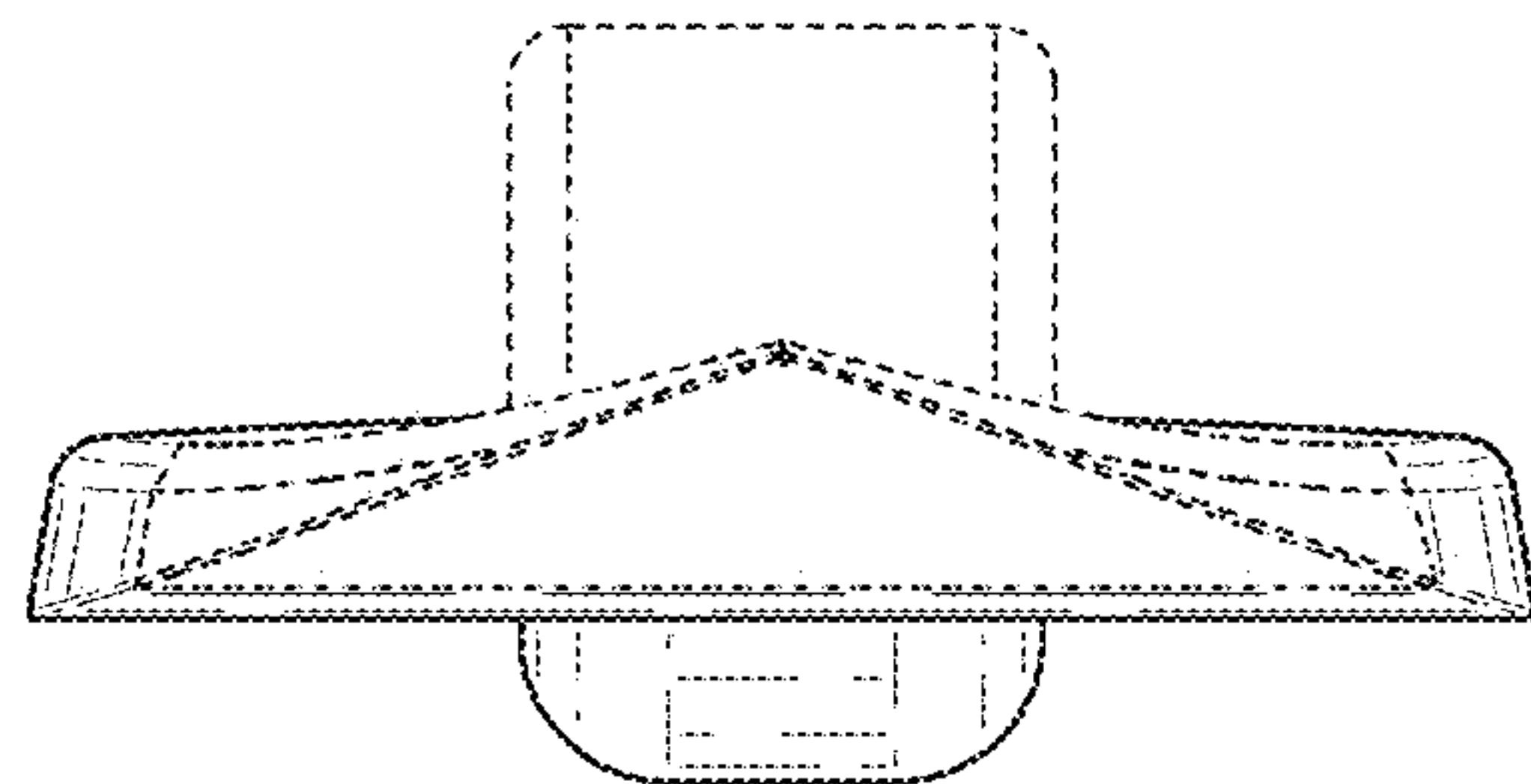


FIG. 4

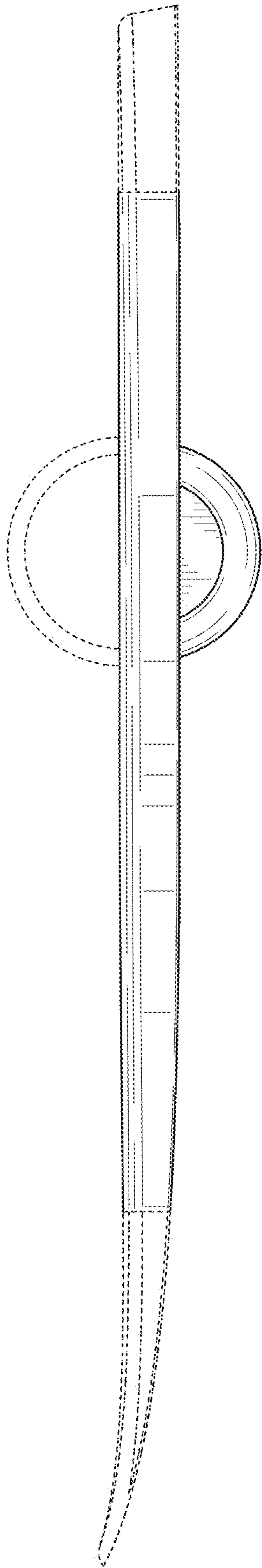


FIG. 5

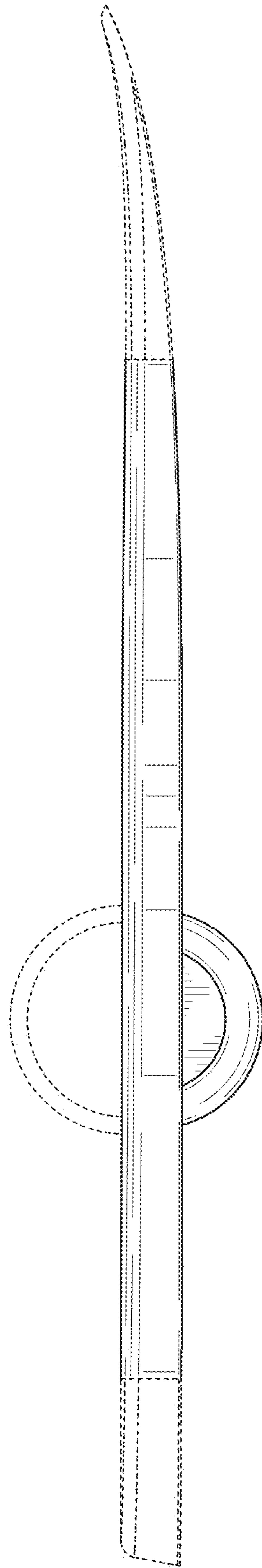


FIG. 6



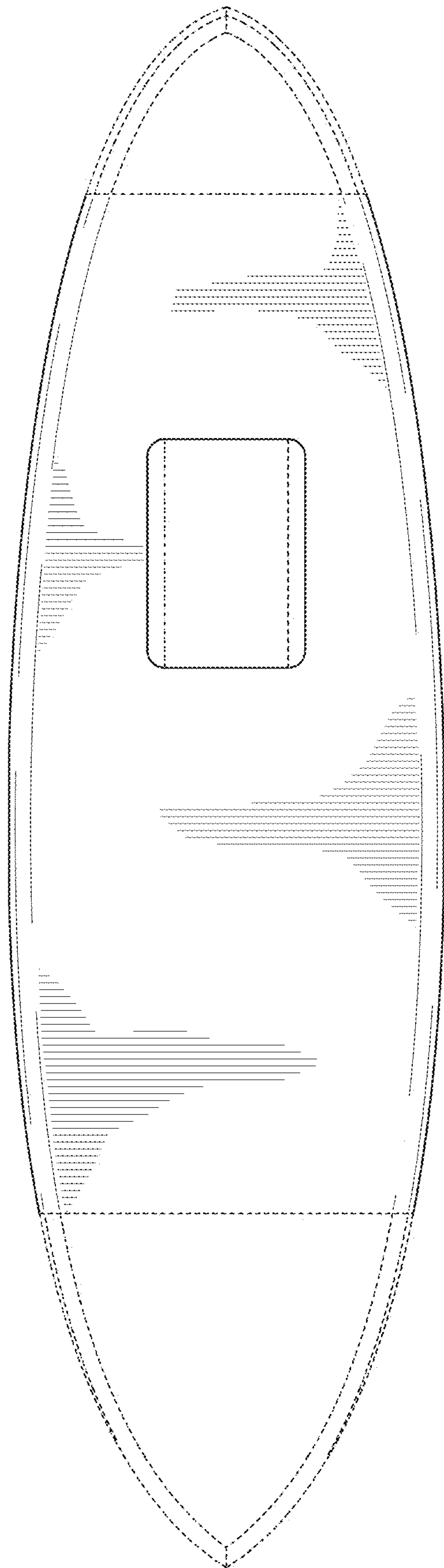


FIG. 7

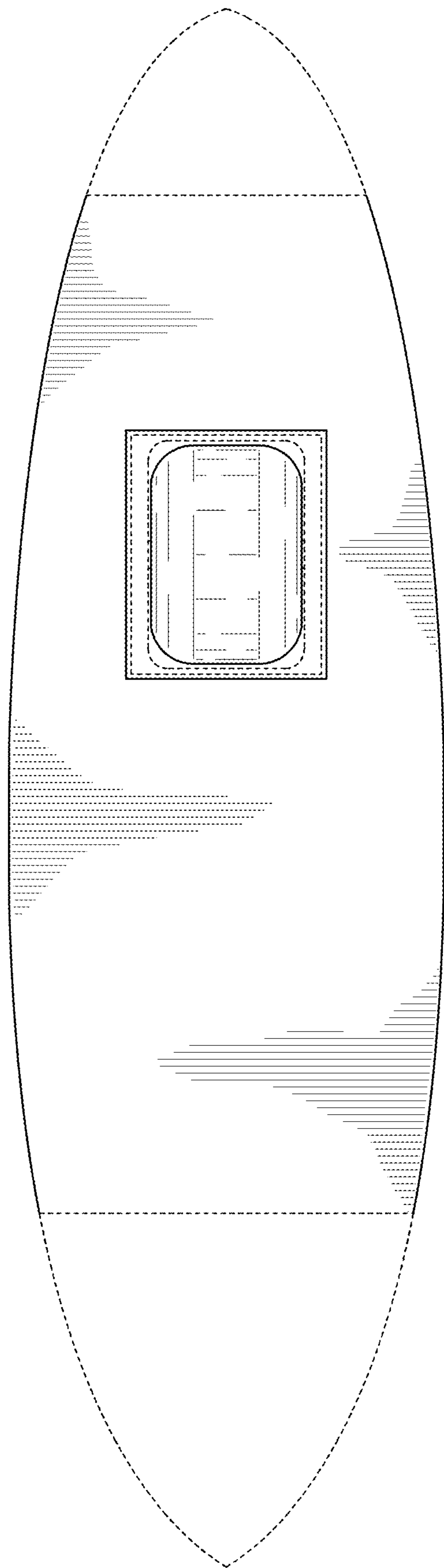


FIG. 8