



US00D918319S

(12) **United States Design Patent** (10) **Patent No.:** **US D918,319 S**
Xu (45) **Date of Patent:** **** May 4, 2021**

(54) **FITNESS BAR WITH RESISTANCE BAND**

(71) Applicant: **Ting Xu**, Zhejiang (CN)

(72) Inventor: **Ting Xu**, Zhejiang (CN)

(**) Term: **15 Years**

(21) Appl. No.: **29/743,761**

(22) Filed: **Jul. 24, 2020**

(51) **LOC (13) Cl.** **21-02**

(52) **U.S. Cl.**
USPC **D21/692**; D21/679

(58) **Field of Classification Search**
USPC D21/679, 694, 692, 691, 680, 678, 662;
D8/499, 300; D24/190; 482/91, 130,
482/129, 126, 125, 124, 123, 122, 121
CPC A63B 21/4043; A63B 21/00061; A63B
21/0004; A63B 21/0552; A63B 21/0557;
A63B 21/0442; A63B 21/4035; A63B
2210/50; A63B 2208/0204

See application file for complete search history.

(56) **References Cited**

U.S. PATENT DOCUMENTS

5,885,196	A *	3/1999	Gvoich	A63B 21/0004 482/122
D409,816	S *	5/1999	Young	D21/692
D770,579	S *	11/2016	Chang	A63B 21/4035 D21/691
9,789,409	B1 *	10/2017	Yakos	A63G 9/14
9,873,013	B2 *	1/2018	Williams	A63B 21/0023
9,919,176	B2 *	3/2018	Christie	A63B 23/03525
D844,080	S *	3/2019	Young	D21/692
D870,218	S	12/2019	Sudell		
D875,854	S	2/2020	Taylor		
D892,237	S *	8/2020	Bentsen	D21/692
2009/0137371	A1 *	5/2009	Fuller	A63B 23/1281 482/122

2010/0267529	A1 *	10/2010	Ayoub	A63B 21/0552 482/121
2012/0270706	A1 *	10/2012	Wu	A63B 21/4034 482/91
2012/0295776	A1 *	11/2012	Chen	A63B 21/0557 482/121

(Continued)

OTHER PUBLICATIONS

Resistance by Sport-Equipment Store dated Jul. 17, 2020. Found online [Jan. 11, 2021] <https://www.aliexpress.com/item/4000149982216.html>.*

(Continued)

Primary Examiner — Ryan Harvey
(74) *Attorney, Agent, or Firm* — ScienBiziP, P.C.

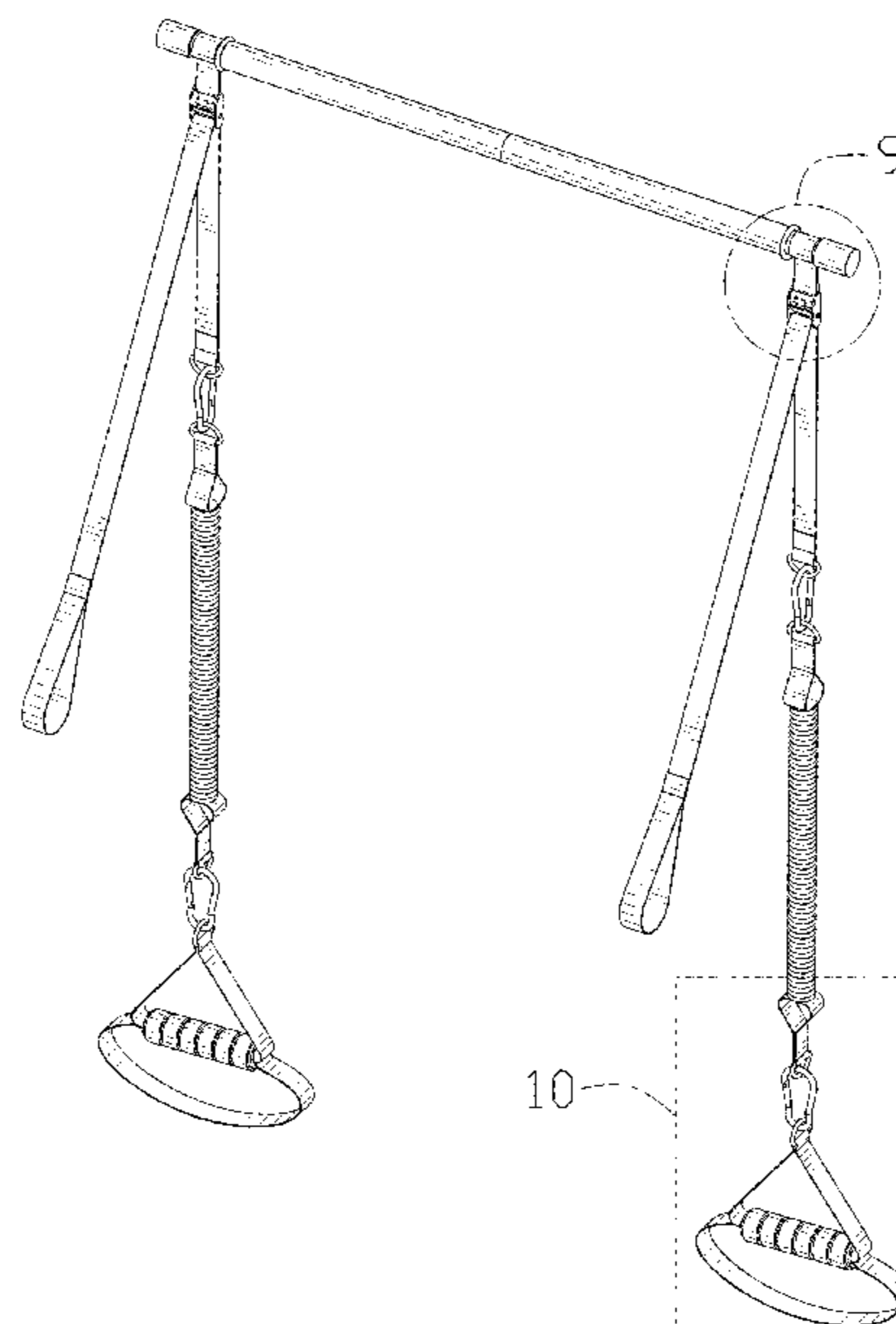
(57) **CLAIM**

The ornamental design for a fitness bar with resistance band, as shown and described.

DESCRIPTION

FIG. 1 is a front perspective view of a fitness bar with resistance band, showing my design.
FIG. 2 is a rear perspective view thereof.
FIG. 3 is a front elevation view thereof.
FIG. 4 is a rear elevation view thereof.
FIG. 5 is a left side elevation view thereof.
FIG. 6 is a right side elevation view thereof.
FIG. 7 is a top plan view thereof.
FIG. 8 is a bottom plan view thereof.
FIG. 9 is an enlarged view of an area labeled 9 in FIG. 1.
FIG. 10 is an enlarged view of an area labeled 10 in FIG. 1.
FIG. 11 is an enlarged view of an area labeled 11 in FIG. 2; and,
FIG. 12 is a perspective view of the fitness bar with resistance band of FIG. 1 being used by a person.
The broken lines in the drawings depict environmental structure and boundaries and form no part of the claimed design.

1 Claim, 12 Drawing Sheets



(56)

References Cited

U.S. PATENT DOCUMENTS

2014/0038793 A1* 2/2014 Hetzel A63B 23/0355
482/122
2014/0082891 A1* 3/2014 Hetrick A44B 11/04
24/115 H
2015/0141217 A1* 5/2015 Young A63B 23/03541
482/126
2015/0283420 A1* 10/2015 Chang A63B 23/1281
482/129
2016/0144217 A1* 5/2016 Oltorik, Jr. A63B 23/03525
482/130
2017/0021219 A1* 1/2017 Kelly A63B 21/0552
2017/0274239 A1* 9/2017 Barella A61H 23/02
2018/0140886 A1* 5/2018 Hetrick A63B 21/4023

OTHER PUBLICATIONS

VWMYQ by VWMYQ dated Jul. 18, 2020. Found online [Jan. 11, 2021] https://www.amazon.com/VWMYQ-Adjustable-Resistance-Anti-Break-Portable/dp/B08BTS7FLP/ref=cm_cr_arp_d_product_top?ie=UTF8.*

* cited by examiner

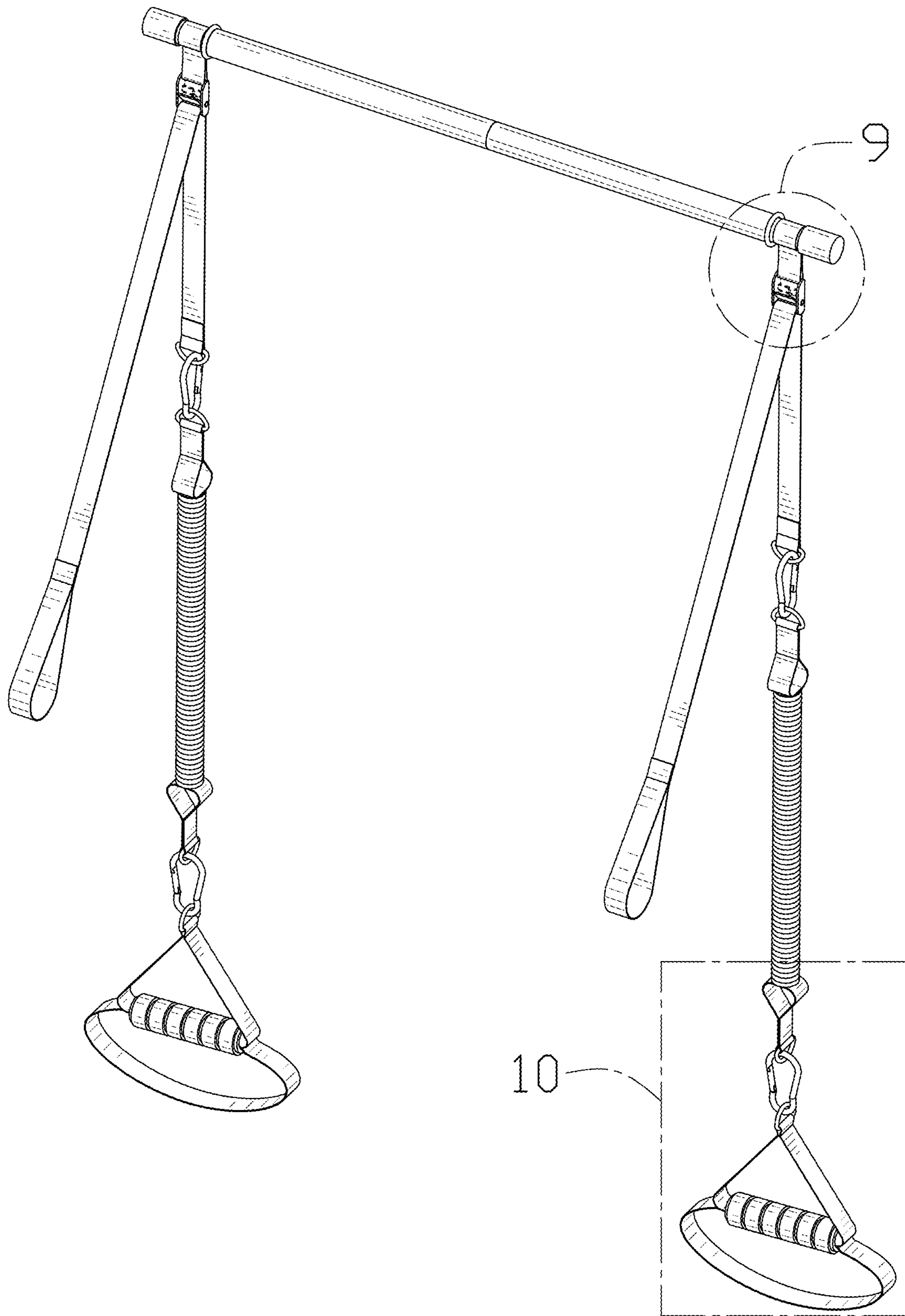


FIG. 1

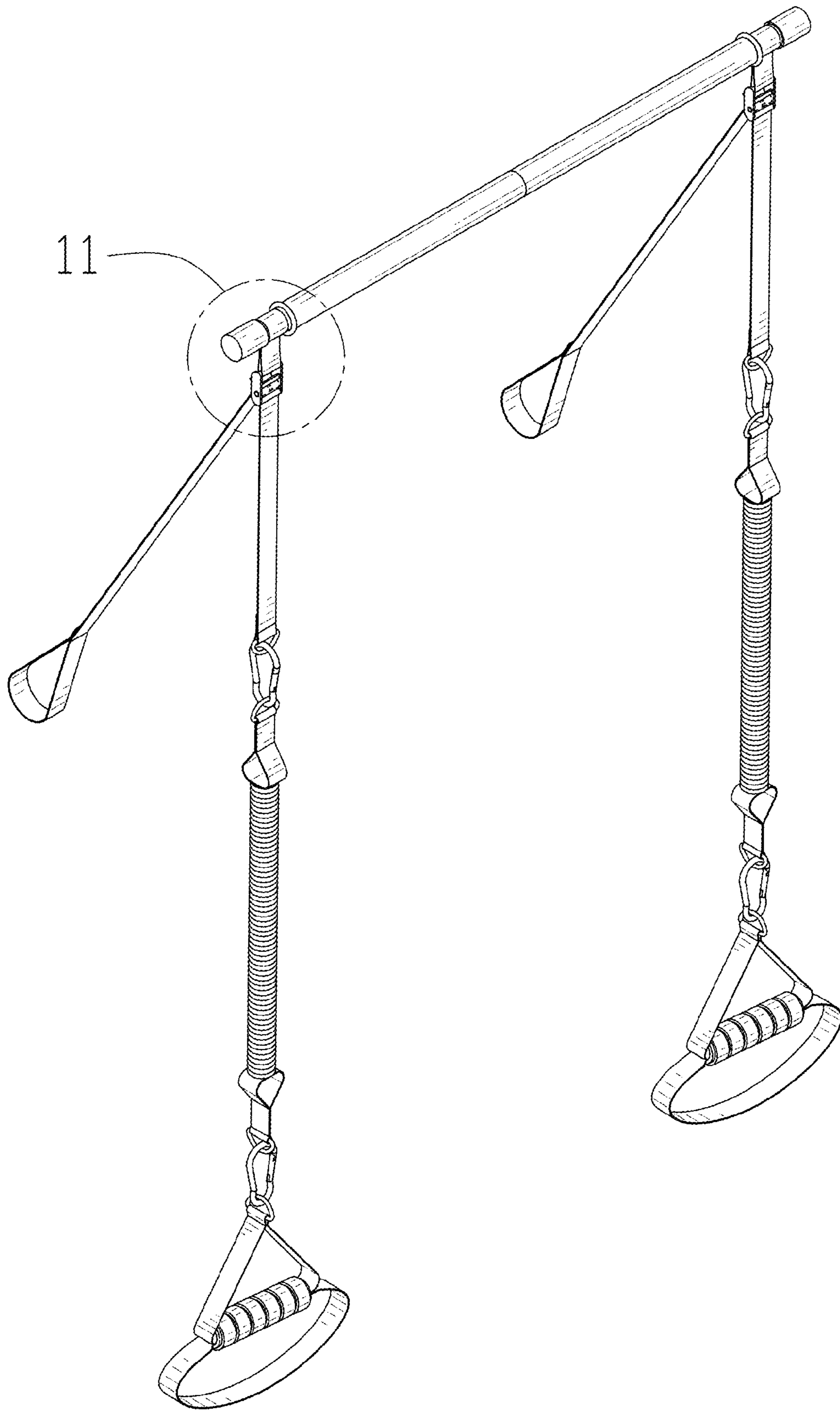


FIG. 2

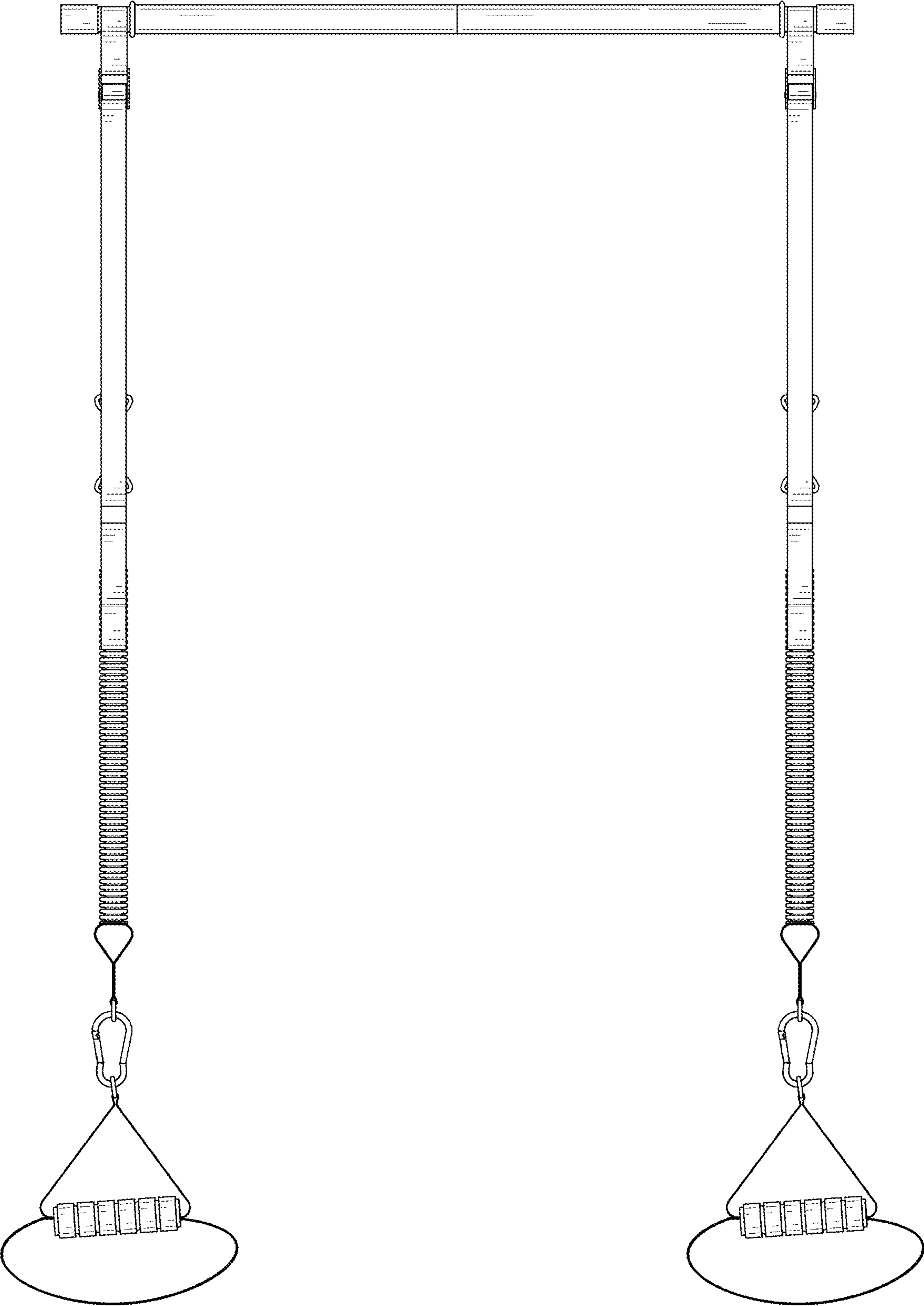


FIG. 3

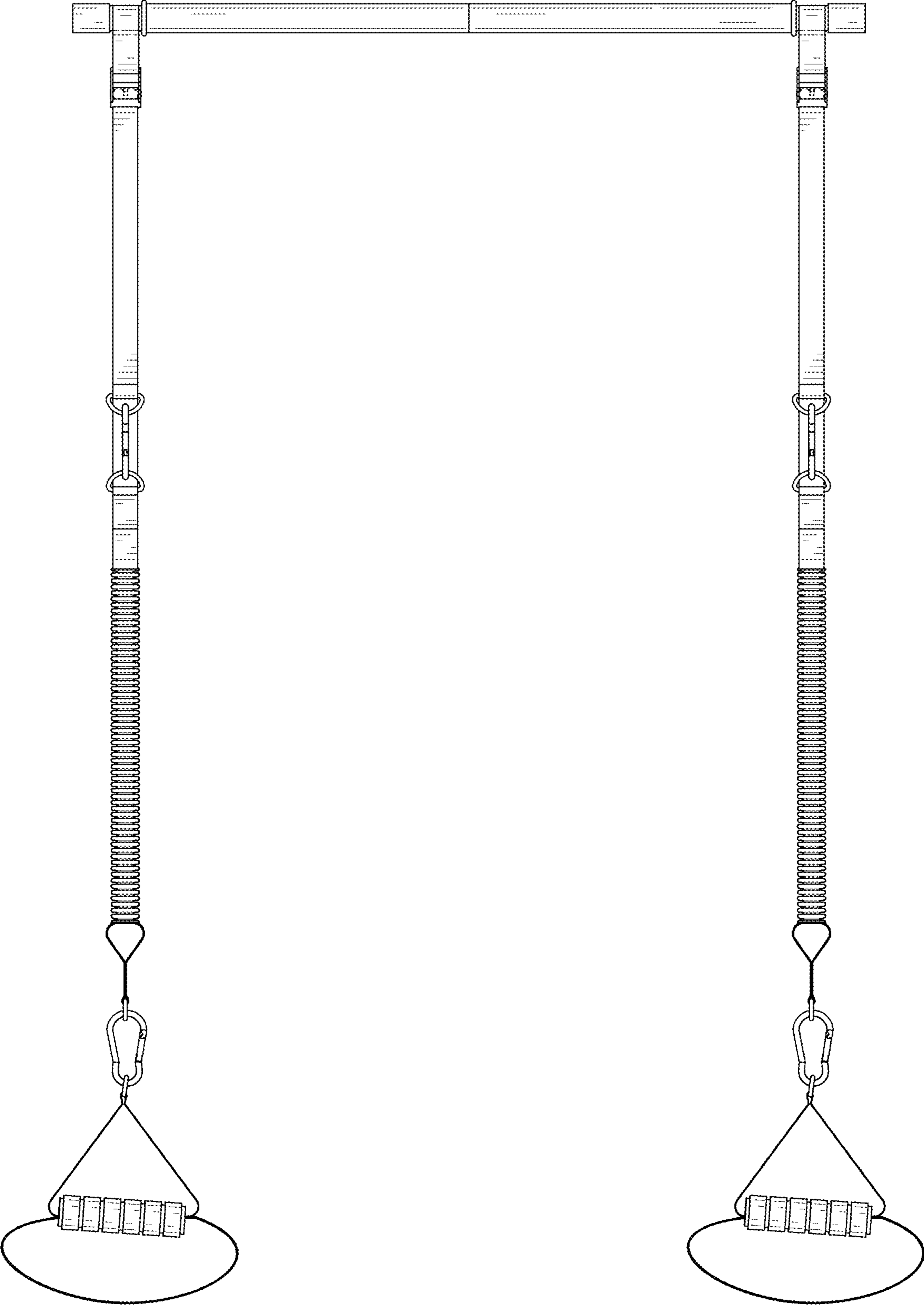


FIG. 4

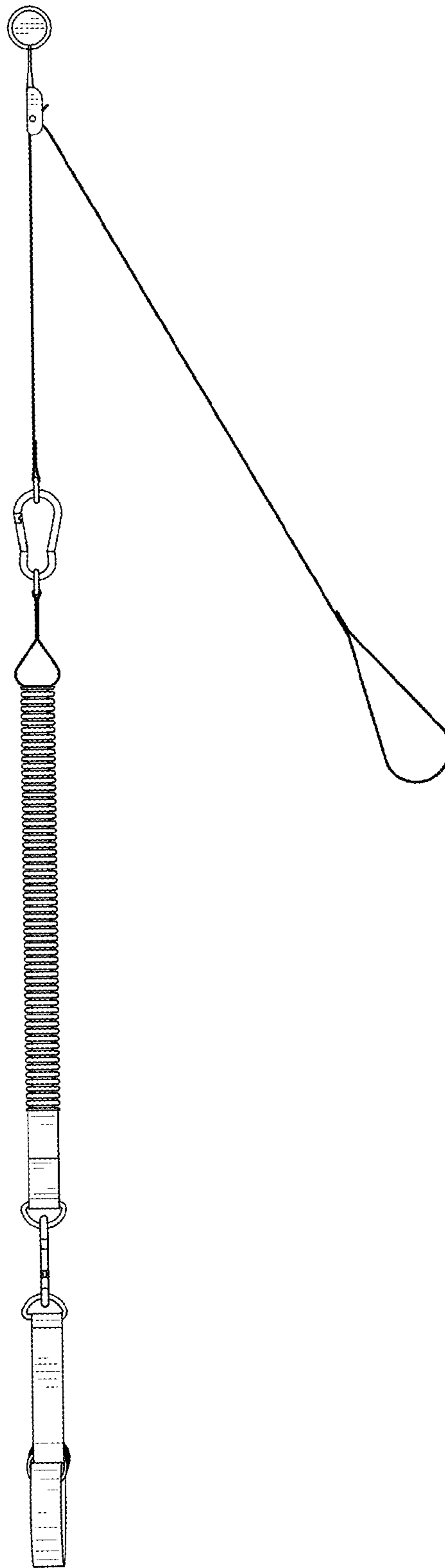


FIG. 5

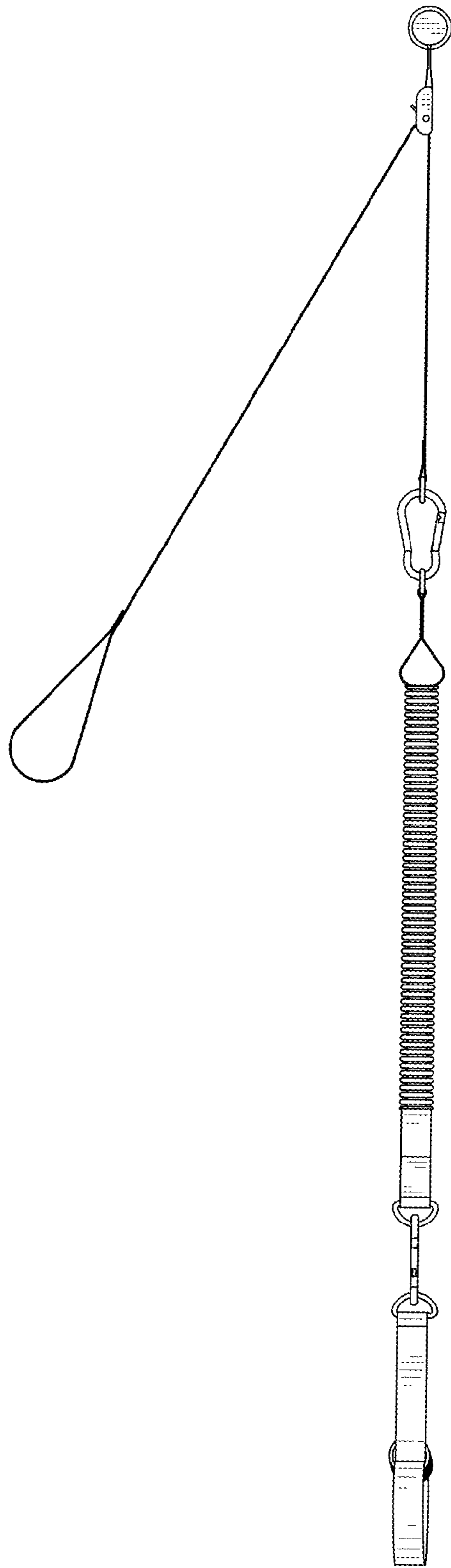


FIG. 6

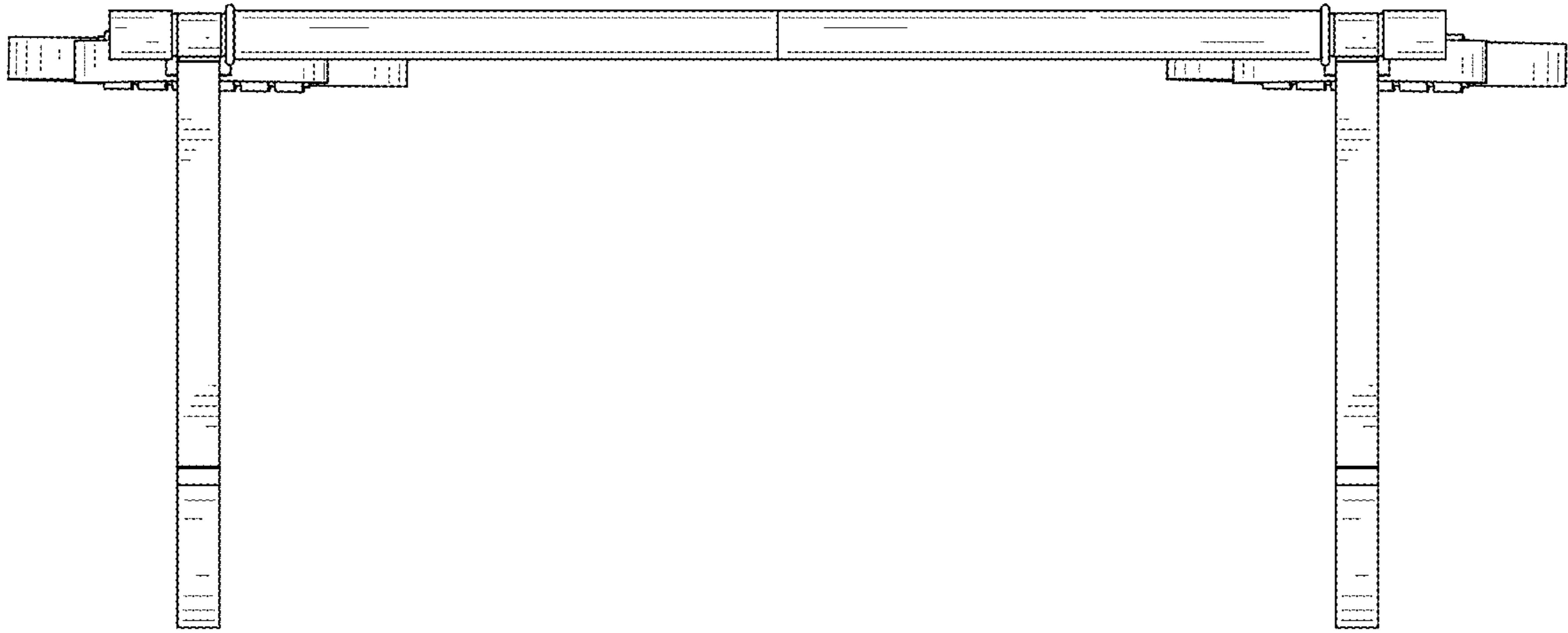


FIG. 7



FIG. 8

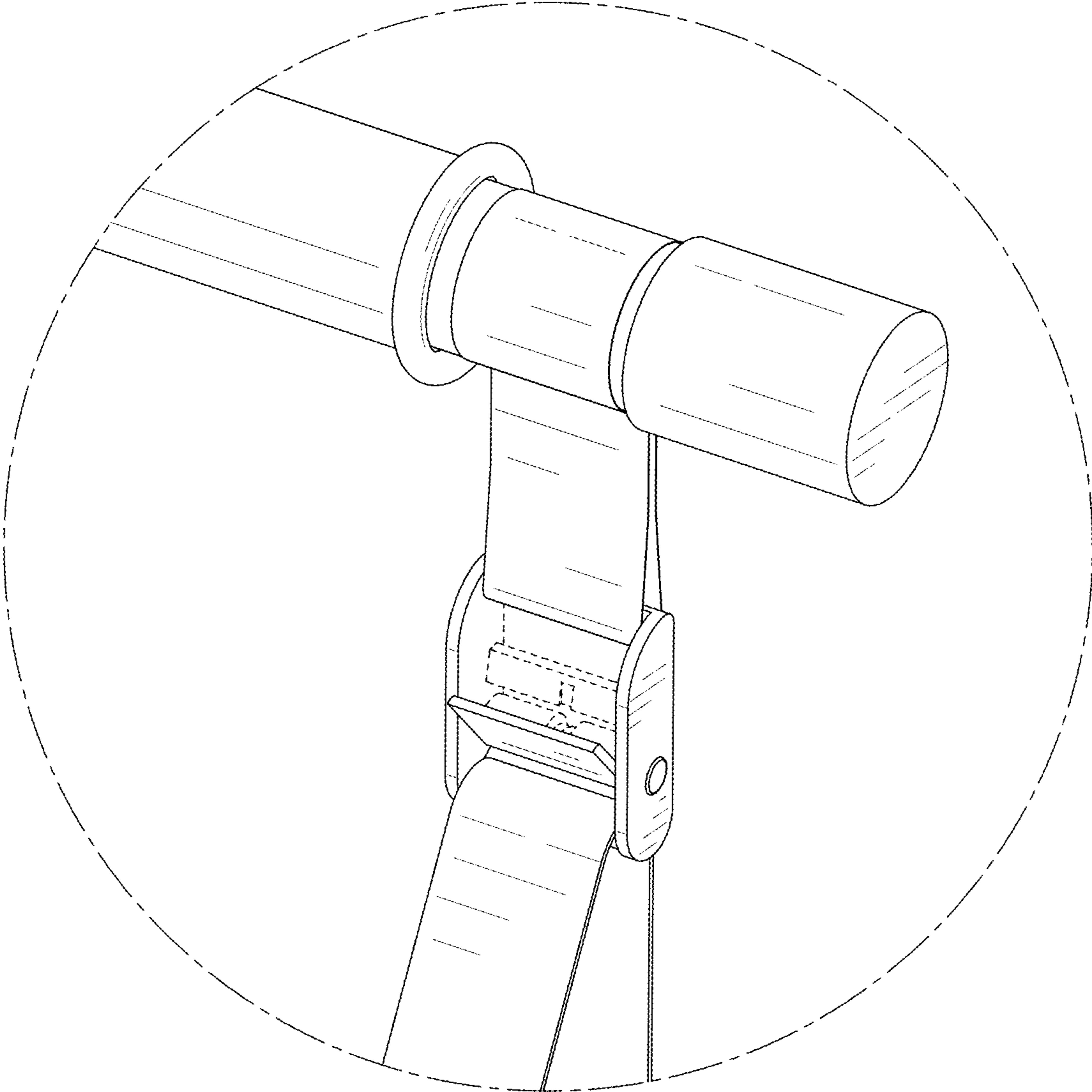


FIG. 9

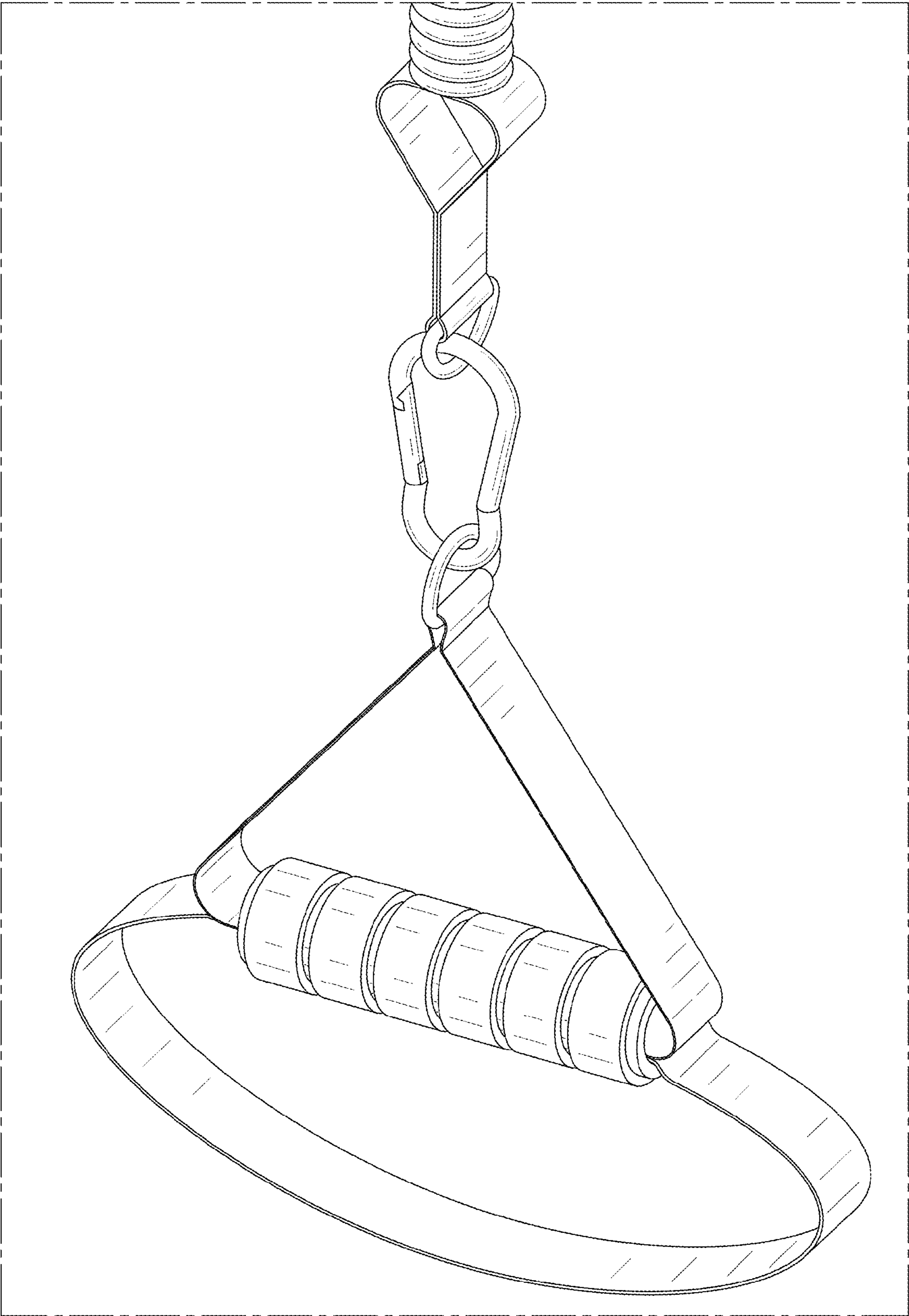


FIG. 10

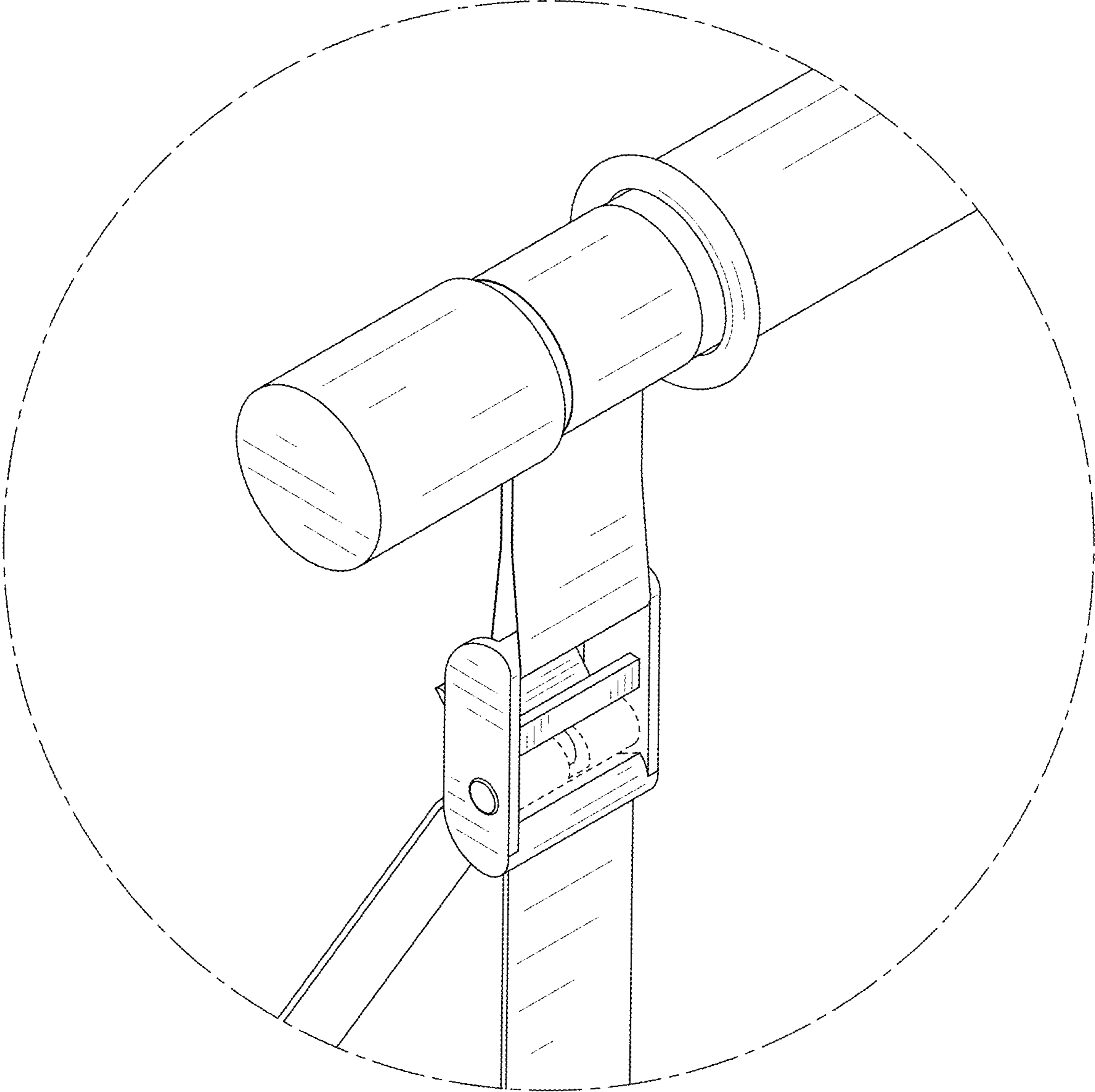


FIG. 11

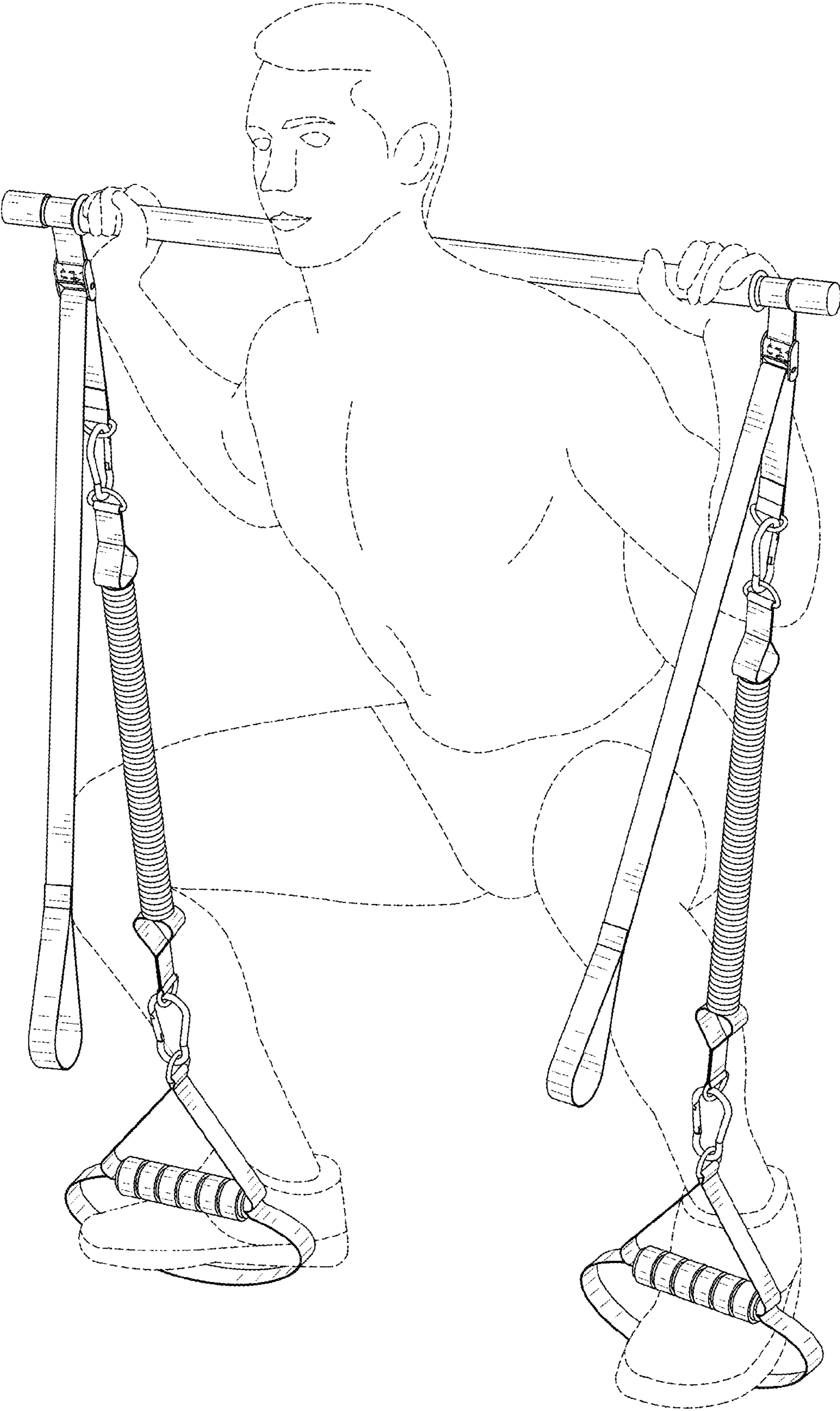


FIG. 12