



US00D918318S

(12) **United States Design Patent** (10) **Patent No.:** **US D918,318 S**  
**Liu** (45) **Date of Patent:** **\*\* May 4, 2021**

(54) **ADJUSTABLE KETTLEBELL**  
(71) Applicant: **Jianping Liu**, Yongchun County (CN)  
(72) Inventor: **Jianping Liu**, Yongchun County (CN)  
(\*\*) Term: **15 Years**  
(21) Appl. No.: **29/770,150**  
(22) Filed: **Feb. 9, 2021**  
(51) **LOC (13) Cl.** ..... **21-02**  
(52) **U.S. Cl.**  
USPC ..... **D21/682**  
(58) **Field of Classification Search**  
USPC ..... D21/680, 682, 662, 684, 686, 692, 681;  
482/93, 106, 110, 108, 44, 91, 112;  
D30/160; D19/64  
CPC . A63B 21/072; A63B 21/075; A63B 21/4035;  
A63B 21/06; A63B 21/0602; A63B  
21/0004  
See application file for complete search history.

D728,040 S 4/2015 Peterson  
9,022,906 B1 5/2015 Nelson  
D796,592 S \* 9/2017 Towley ..... D21/682  
D827,735 S 9/2018 Ross  
10,099,083 B1 \* 10/2018 Owusu ..... A63B 21/072  
10,166,429 B2 1/2019 Chen  
D843,508 S 3/2019 Pawlas  
10,420,978 B2 \* 9/2019 Wang ..... A63B 21/075  
D877,824 S \* 3/2020 Chiang ..... D21/680  
D879,888 S \* 3/2020 Flick ..... D21/680  
D888,848 S \* 6/2020 Owusu ..... D21/680  
10,695,614 B2 \* 6/2020 Owusu ..... A63B 24/0087  
(Continued)

**FOREIGN PATENT DOCUMENTS**

WO WO/2019/143830 A1 7/2019  
WO WO/2019/152780 A1 8/2019  
WO WO/2019/152948 A1 8/2019

**OTHER PUBLICATIONS**

Jpodream Kettlebell, Adjustable Kettlebell Weights, downloaded Feb. 6, 2021—Amazon.

(Continued)

(56) **References Cited**

**U.S. PATENT DOCUMENTS**

1,316,683 A \* 9/1919 Calvert ..... A63B 21/072  
482/93  
D522,594 S 6/2006 Donahue et al.  
D522,595 S 6/2006 Donahue et al.  
7,491,157 B1 \* 2/2009 Lin ..... A63B 21/072  
482/108  
7,563,208 B1 7/2009 Chen  
D616,949 S 6/2010 Wang  
7,731,640 B1 6/2010 Chen  
7,762,933 B1 \* 7/2010 Yu ..... A63B 21/072  
482/107  
7,976,443 B2 7/2011 Krull  
7,981,013 B2 7/2011 Krull  
D652,877 S \* 1/2012 Dalebout ..... D21/682  
D653,716 S \* 2/2012 Lin ..... D21/682  
D664,613 S \* 7/2012 Dalebout ..... D21/682  
D692,509 S 10/2013 Kessler

*Primary Examiner* — Ryan Harvey

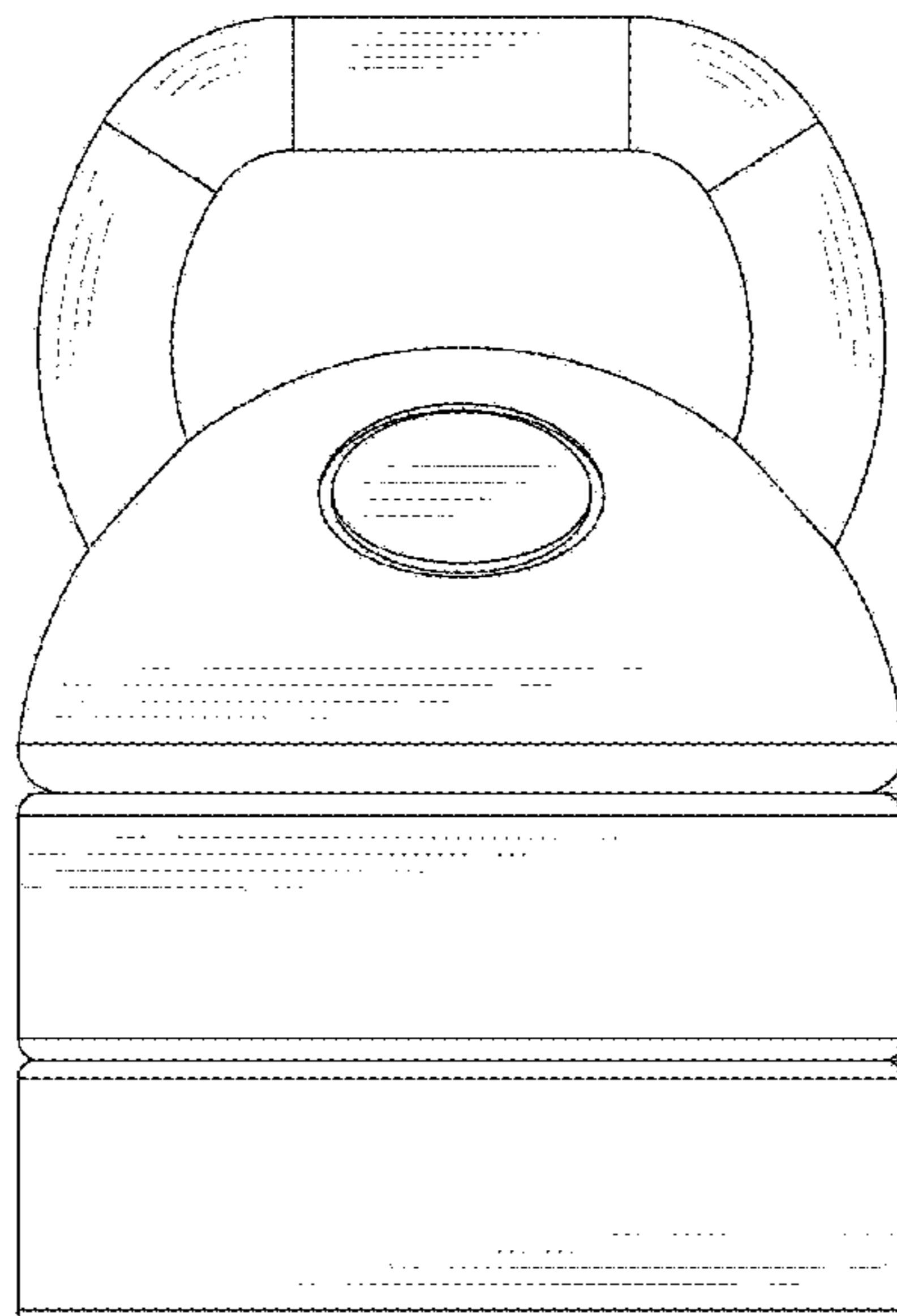
(57) **CLAIM**

The ornamental design for an adjustable kettlebell, as shown and described.

**DESCRIPTION**

FIG. 1 is a front elevation view of an adjustable kettlebell showing my new design;  
FIG. 2 is a back elevation view thereof;  
FIG. 3 is a left-side view thereof;  
FIG. 4 is a right-side view thereof;  
FIG. 5 is a top plan view thereof;  
FIG. 6 is a bottom plan view thereof; and,  
FIG. 7 is a bottom right perspective view thereof.

**1 Claim, 7 Drawing Sheets**



(56)

References Cited

U.S. PATENT DOCUMENTS

D895,035 S \* 9/2020 Flick ..... D21/680  
 D896,900 S \* 9/2020 Wang ..... D21/680  
 D906,529 S \* 12/2020 Metcalf ..... D24/214  
 D908,819 S \* 1/2021 Flick ..... D21/680  
 2007/0135274 A1\* 6/2007 Blateri ..... A63B 21/075  
 482/109  
 2008/0081744 A1 4/2008 Gormley  
 2009/0062085 A1\* 3/2009 Polevoy ..... A63B 21/075  
 482/93  
 2010/0120588 A1 5/2010 Krull  
 2010/0120589 A1 5/2010 Krull  
 2010/0190619 A1 7/2010 Chen  
 2010/0331151 A1\* 12/2010 Signorile ..... A63B 21/0728  
 482/93  
 2011/0263392 A1\* 10/2011 Yu ..... A63B 21/072  
 482/93  
 2011/0275494 A1\* 11/2011 Radi ..... A63B 21/072  
 482/93

2012/0252641 A1\* 10/2012 Odneal ..... A63B 21/0728  
 482/108  
 2015/0231440 A1 8/2015 Nelson  
 2017/0225025 A1\* 8/2017 Towley ..... A63B 21/075  
 2018/0117387 A1 5/2018 Wang  
 2018/0169460 A1 6/2018 Chen  
 2019/0217146 A1\* 7/2019 Sisler ..... A63B 1/00  
 2019/0240526 A1\* 8/2019 Owusu ..... A63B 21/0726  
 2019/0344114 A1 11/2019 Tran et al.  
 2020/0360757 A1 11/2020 Flick et al.  
 2021/0023411 A1 1/2021 Wang  
 2021/0031067 A1\* 2/2021 D'Alesio ..... A63B 21/072

OTHER PUBLICATIONS

ELZXUN Adjustable Kettlebell, downloaded Feb. 6, 2021—  
 Amazon.  
 Mural Wall Art Kettlebell, Adjustable, downloaded Feb. 6, 2021—  
 Amazon.  
 73HA73 Adjustable Kettlebell Lifting, downloaded Feb. 6, 2021—  
 Amazon.

\* cited by examiner

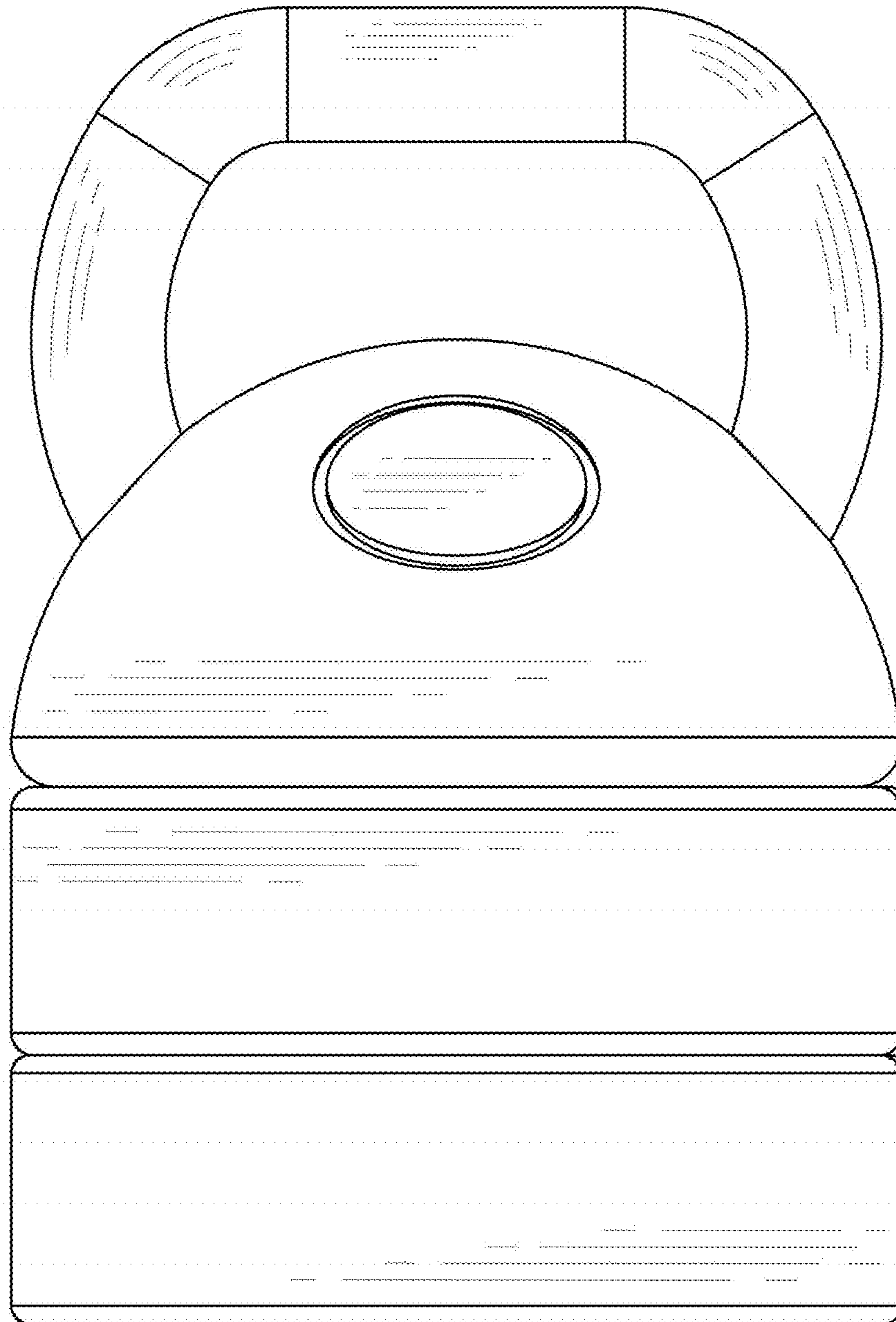


FIG. 1

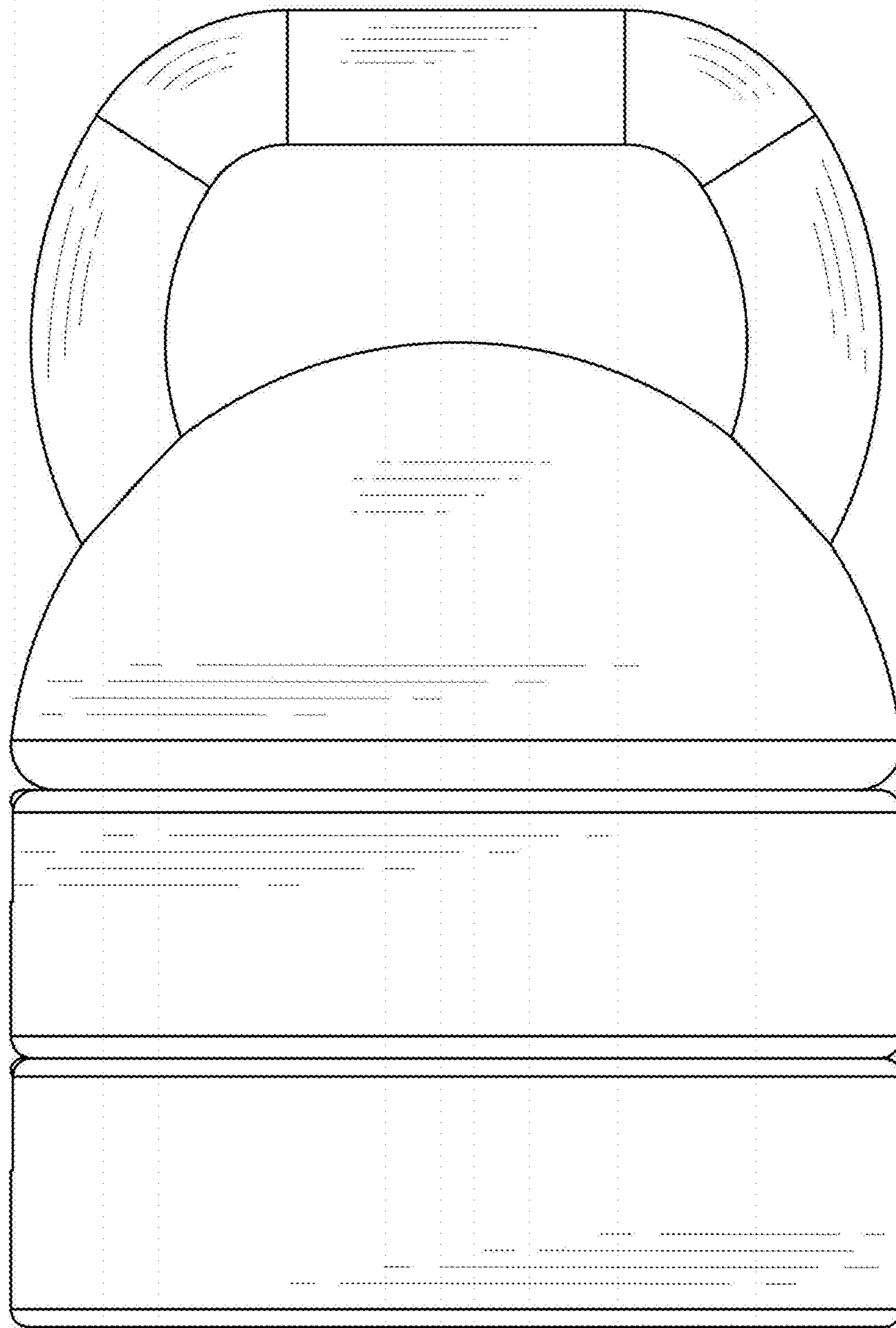


FIG. 2

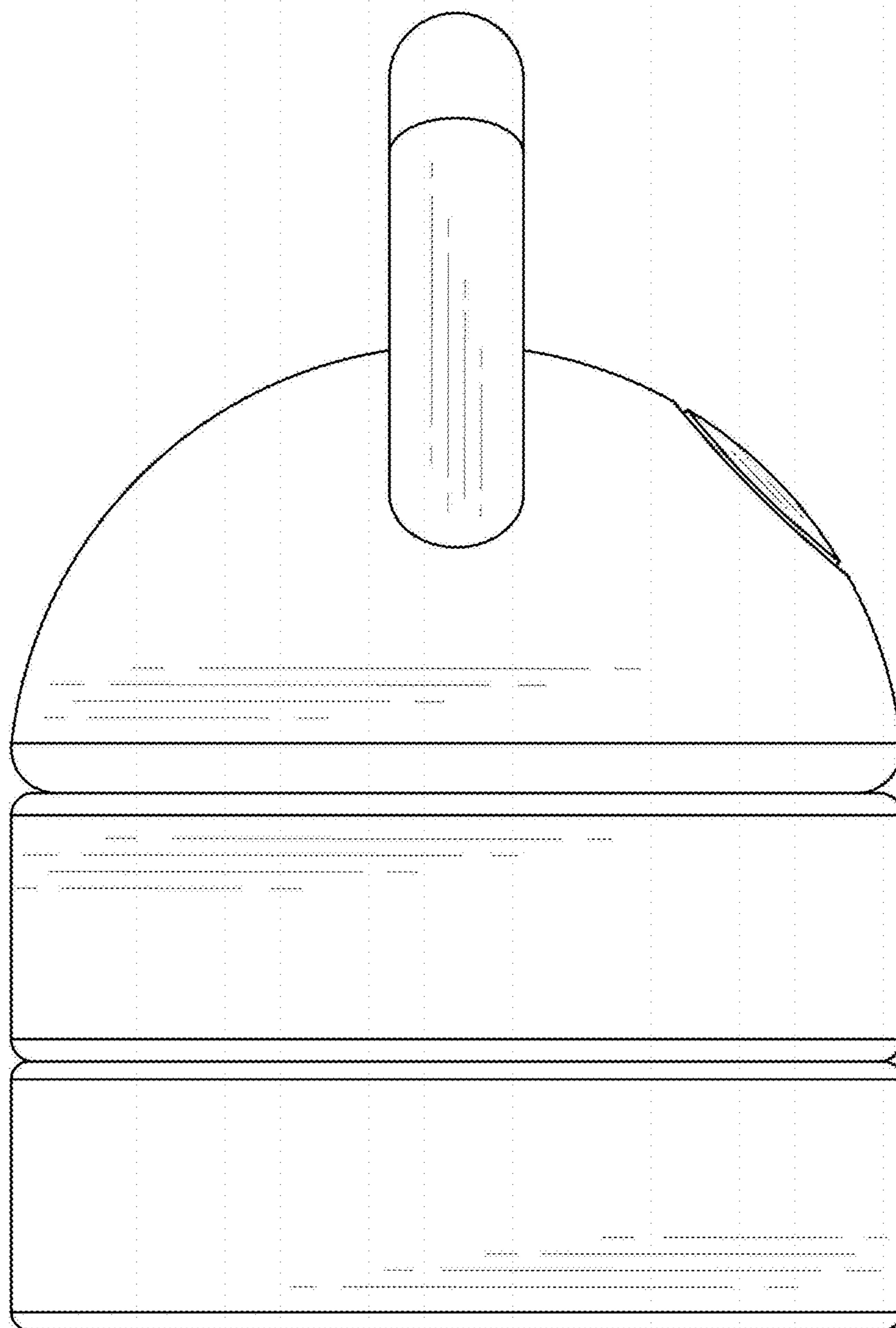


FIG. 3

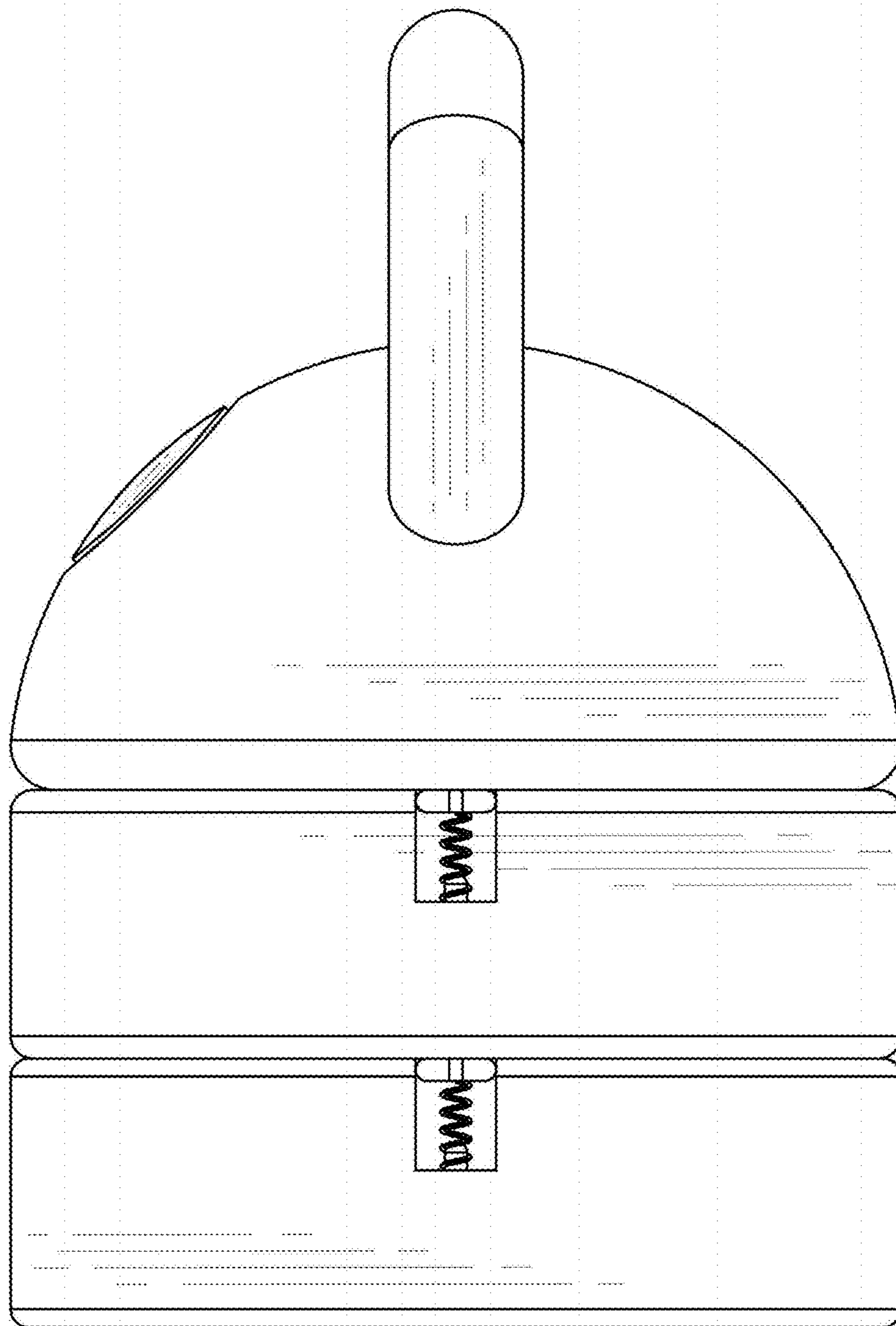


FIG. 4

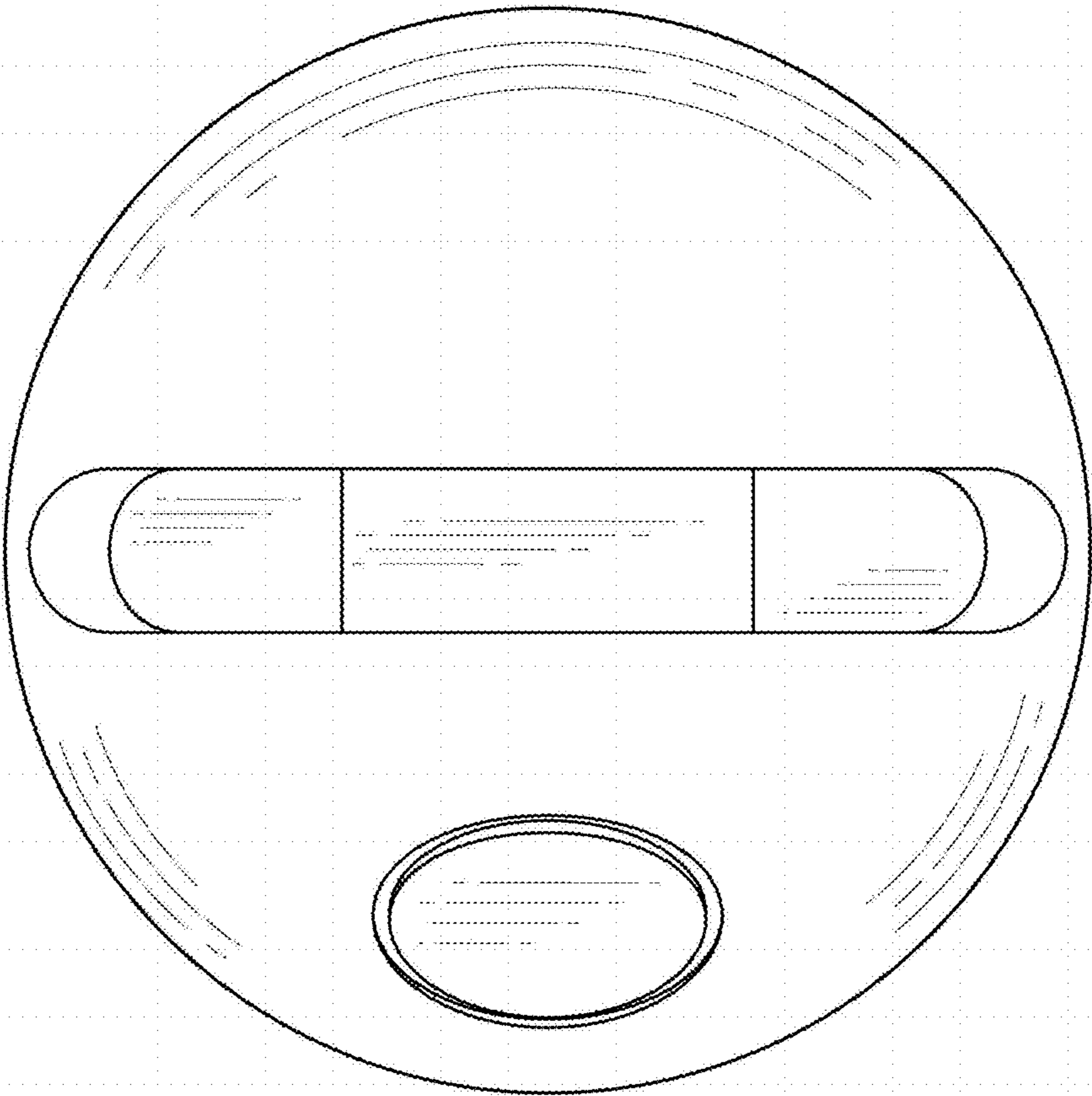


FIG. 5

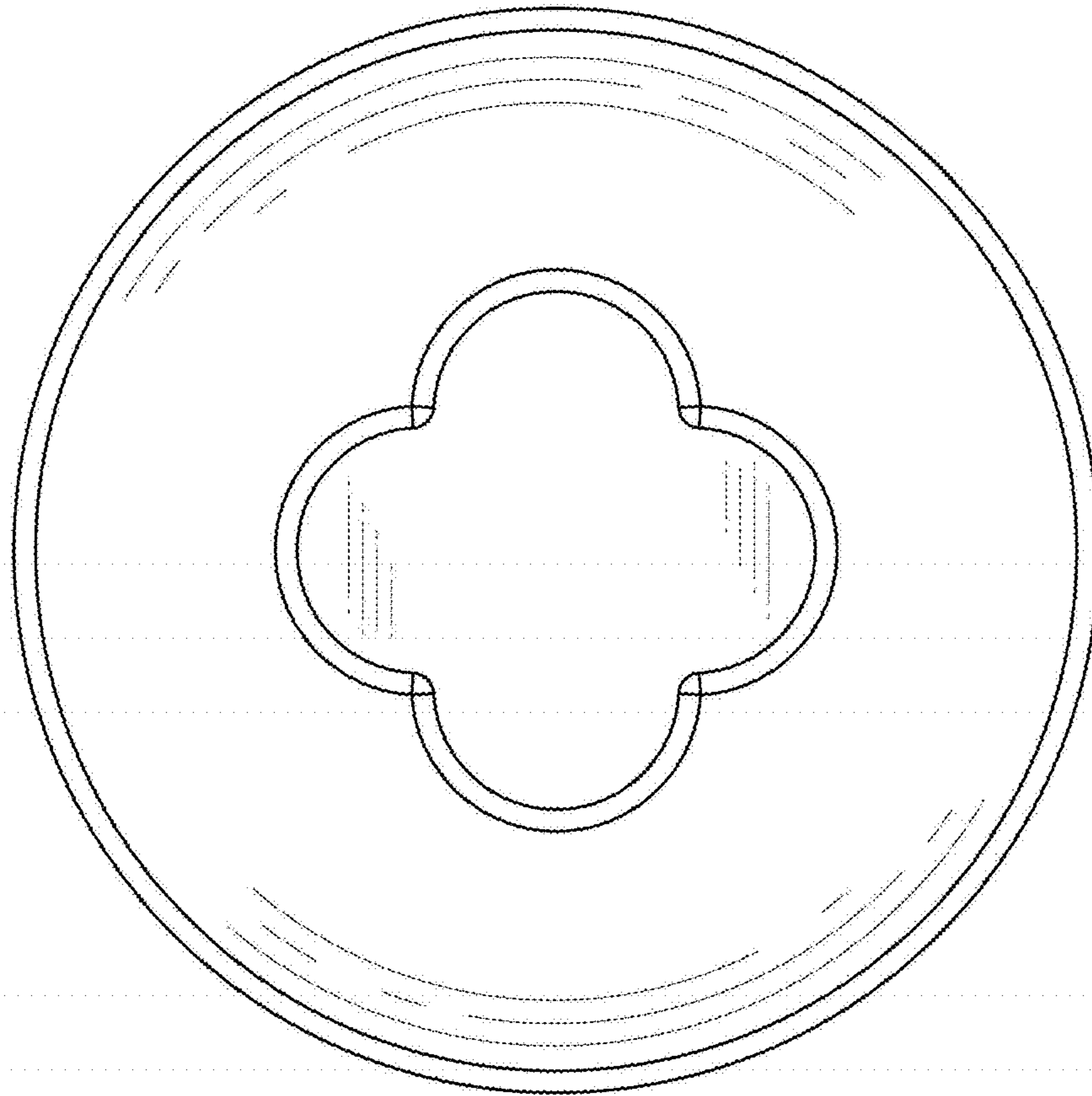


FIG. 6



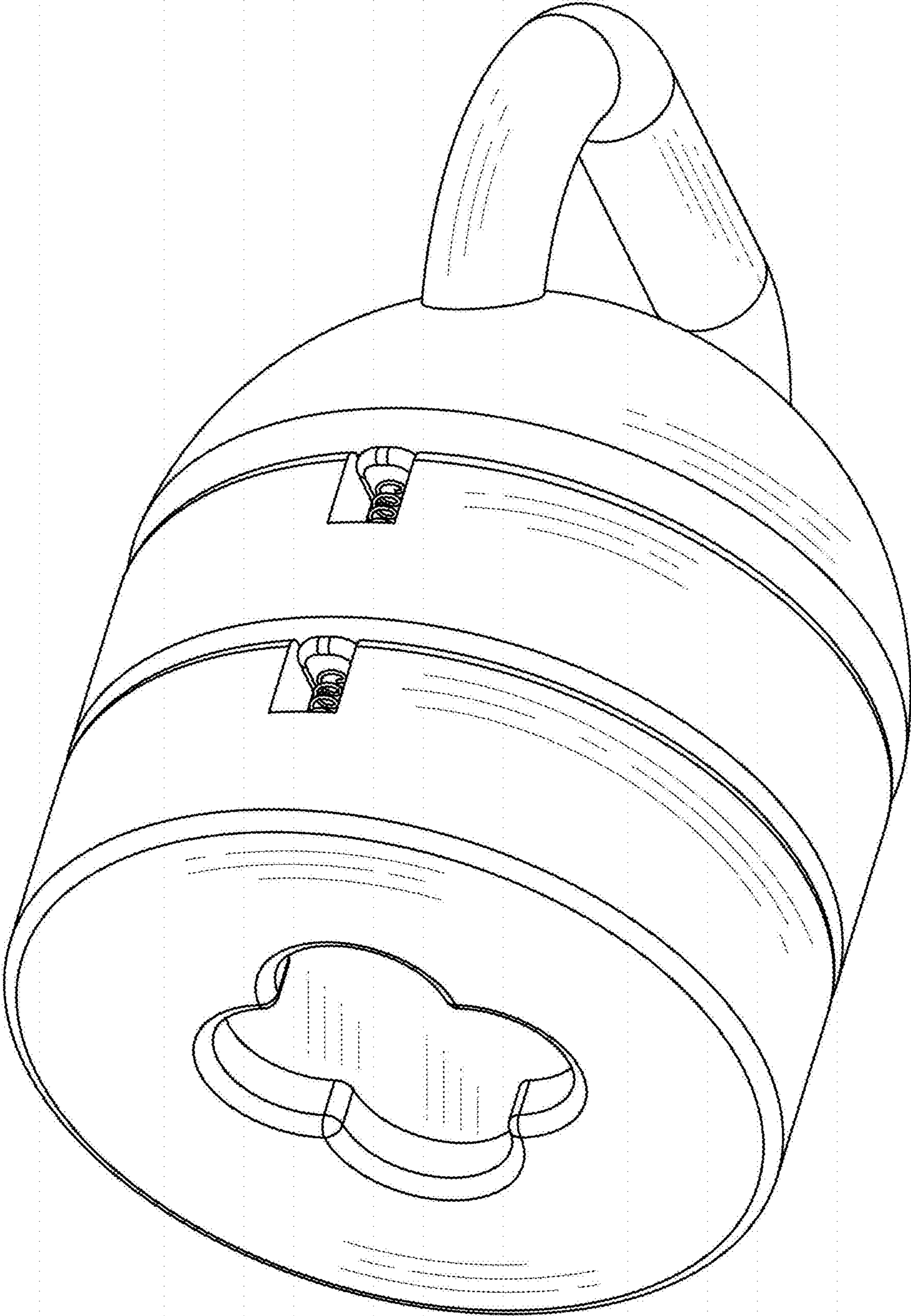


FIG. 7