



US00D918316S

(12) **United States Design Patent** (10) **Patent No.:** **US D918,316 S**
Zhu (45) **Date of Patent:** **** May 4, 2021**

(54) **FOLDABLE PEDAL BIKE**
(71) Applicant: **Yong Zhu**, Zhejiang (CN)
(72) Inventor: **Yong Zhu**, Zhejiang (CN)
(73) Assignee: **Zhejiang TODO Hardware Manufacture Co., Ltd.**, Zhejiang (CN)
(**) Term: **15 Years**

(21) Appl. No.: **29/658,827**
(22) Filed: **Aug. 3, 2018**
(51) **LOC (13) Cl.** **21-02**
(52) **U.S. Cl.**
USPC **D21/663**
(58) **Field of Classification Search**
USPC D12/111, 107, 114, 117, 159; D21/419,
D21/424, 427, 432, 663, 664, 666, 697,
D21/685
CPC . B62K 3/00; B62K 3/005; B62K 3/02; B62K
3/04; B62K 11/00; B62K 11/02; B62K
11/10; B62K 11/14; B62K 21/12; B62K
21/16; B62K 21/26; B62K 21/02; B62K
21/04; B62K 21/06; B62K 9/02; B62K
15/002; B62K 2201/04; B62K 25/04;
B62K 25/08; B62K 25/16; B62K 25/30
See application file for complete search history.

(56) **References Cited**
U.S. PATENT DOCUMENTS

D158,675 S * 5/1950 Longfellow D21/663
D281,710 S * 12/1985 Kirby D21/663
D472,947 S * 4/2003 Wu D21/694
7,618,354 B2 * 11/2009 Wu A63B 21/015
482/52
D637,664 S * 5/2011 Battison A63B 21/012
D21/663
D681,136 S * 4/2013 Liu D21/663
D738,264 S * 9/2015 Williams D12/115
9,814,933 B1 * 11/2017 Balsley A63B 22/0007

9,889,335 B2 * 2/2018 Palmer A63B 21/1609
2005/0282687 A1 * 12/2005 Kazemi A63B 21/4015
482/57
2013/0237386 A1 * 9/2013 Tsai A63B 22/0605
482/60

FOREIGN PATENT DOCUMENTS

CN 201230377510 * 8/2012
CN 201630580121 * 11/2016

OTHER PUBLICATIONS

Amazon, Aidapt Pedal Exerciser w/ Digital Display, posted Oct. 27, 2014, [online], [visited Jul. 24, 2020]. Internet, <URL: <https://www.amazon.co.uk/Aidapt-Pedal-Exerciser-Digital-Display/dp/B00OZMYXKM/ref=>> (Year: 2014).*

(Continued)

Primary Examiner — Sheryl Lane
Assistant Examiner — Samantha N Wood

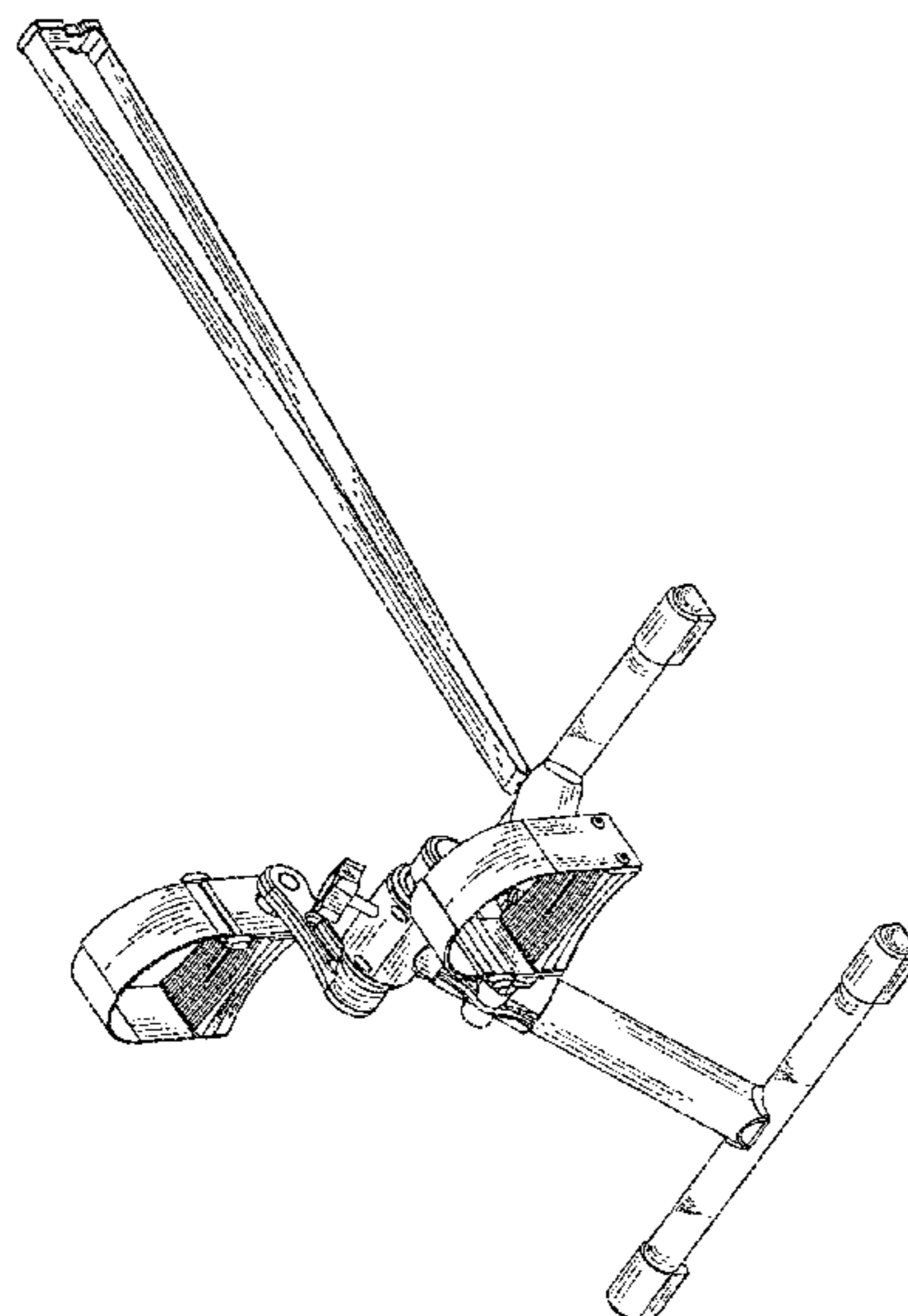
(57) **CLAIM**

The ornamental design for a foldable pedal bike, as shown and described.

DESCRIPTION

FIG. 1 is a front and bottom perspective view of a foldable pedal bike showing my new design;
FIG. 2 is a front and top perspective view thereof;
FIG. 3 is a front elevational view thereof;
FIG. 4 is a rear elevational view thereof;
FIG. 5 is a left side elevational view thereof;
FIG. 6 is a right side elevational view thereof;
FIG. 7 is a top plan view thereof, shown enlarged in scale;
FIG. 8 is a bottom plan view thereof, shown enlarged in scale; and,
FIG. 9 is an exploded view thereof, wherein the base of the foldable pedal bike shown in a folded state.

1 Claim, 9 Drawing Sheets



(56)

References Cited

OTHER PUBLICATIONS

Amazon, FITODO Mini Exercise Bike Foot Pedal, posted Aug. 19, 2018, [online],[visited Jul. 24, 2020]. Internet, <URL: <https://www.amazon.co.uk/dp/B07GN984ZV/ref=>> (Year: 2018).*

* cited by examiner

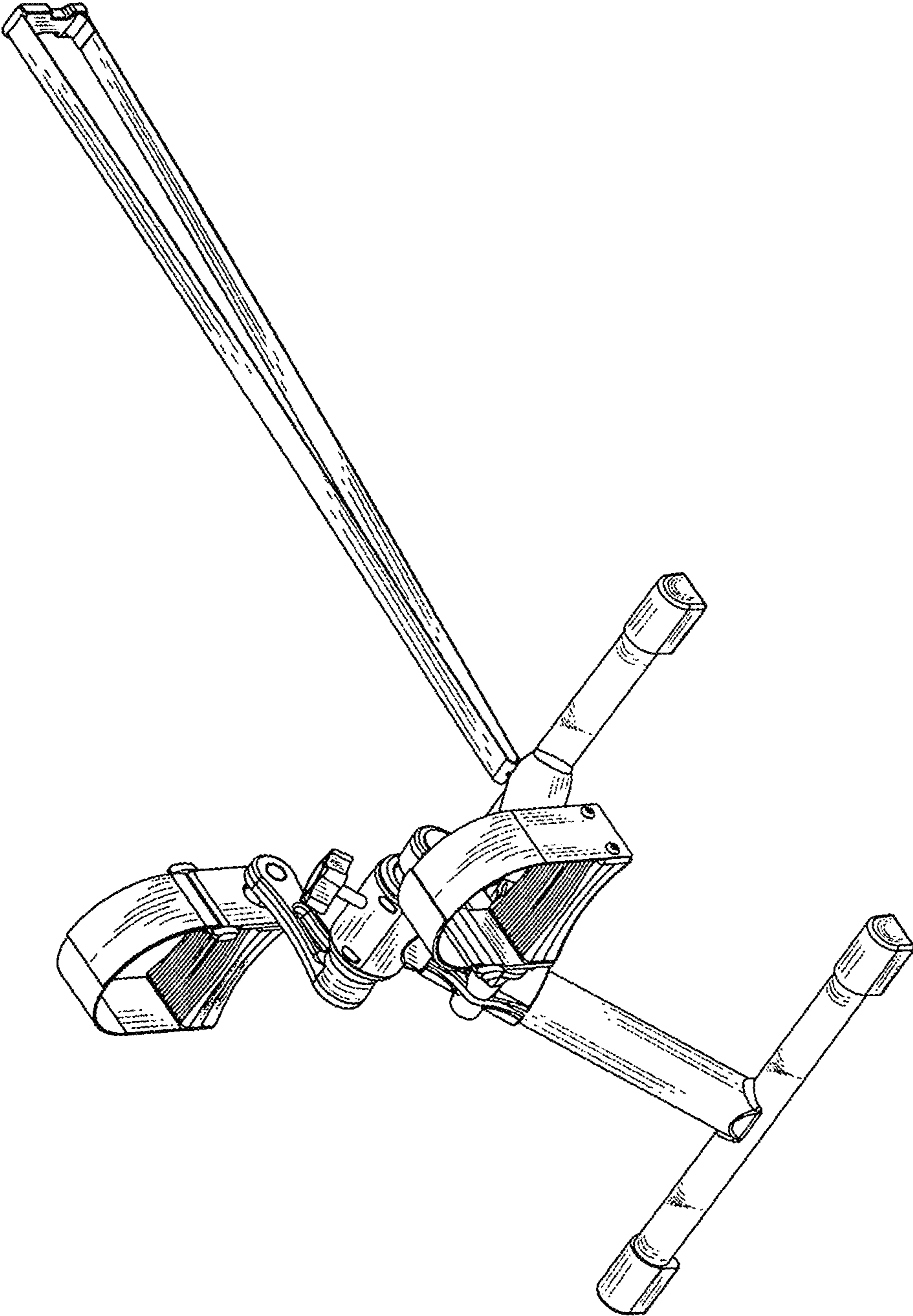


FIG.1

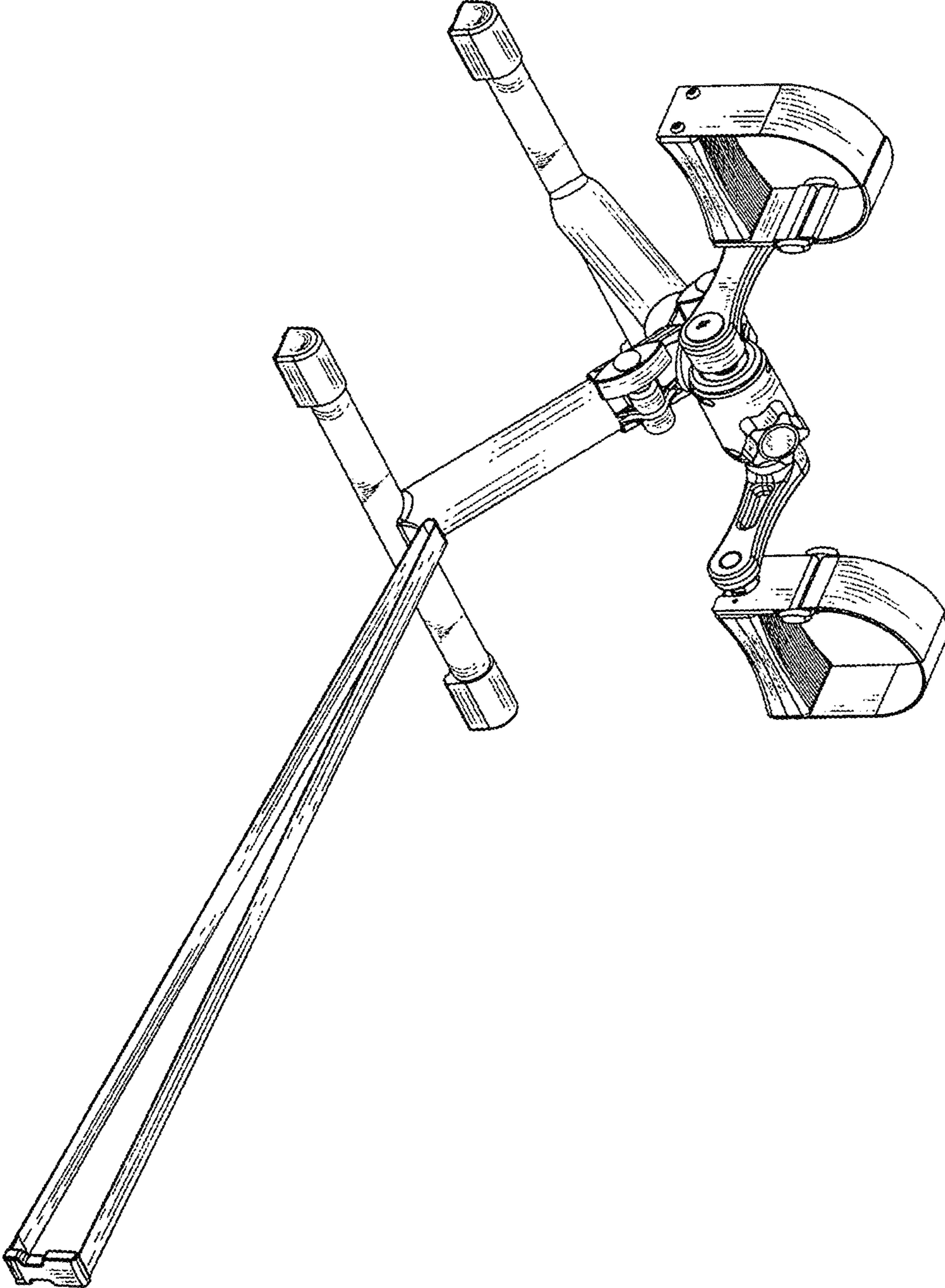


FIG.2

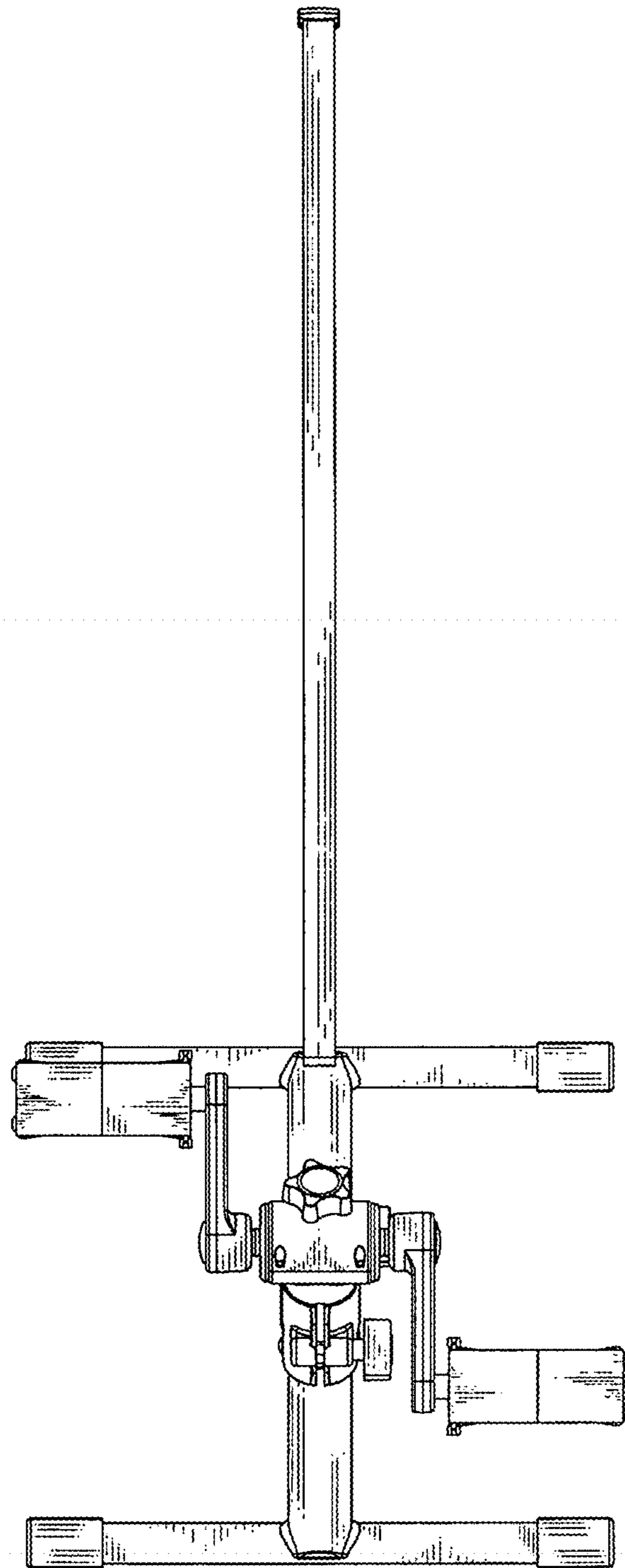


FIG.3

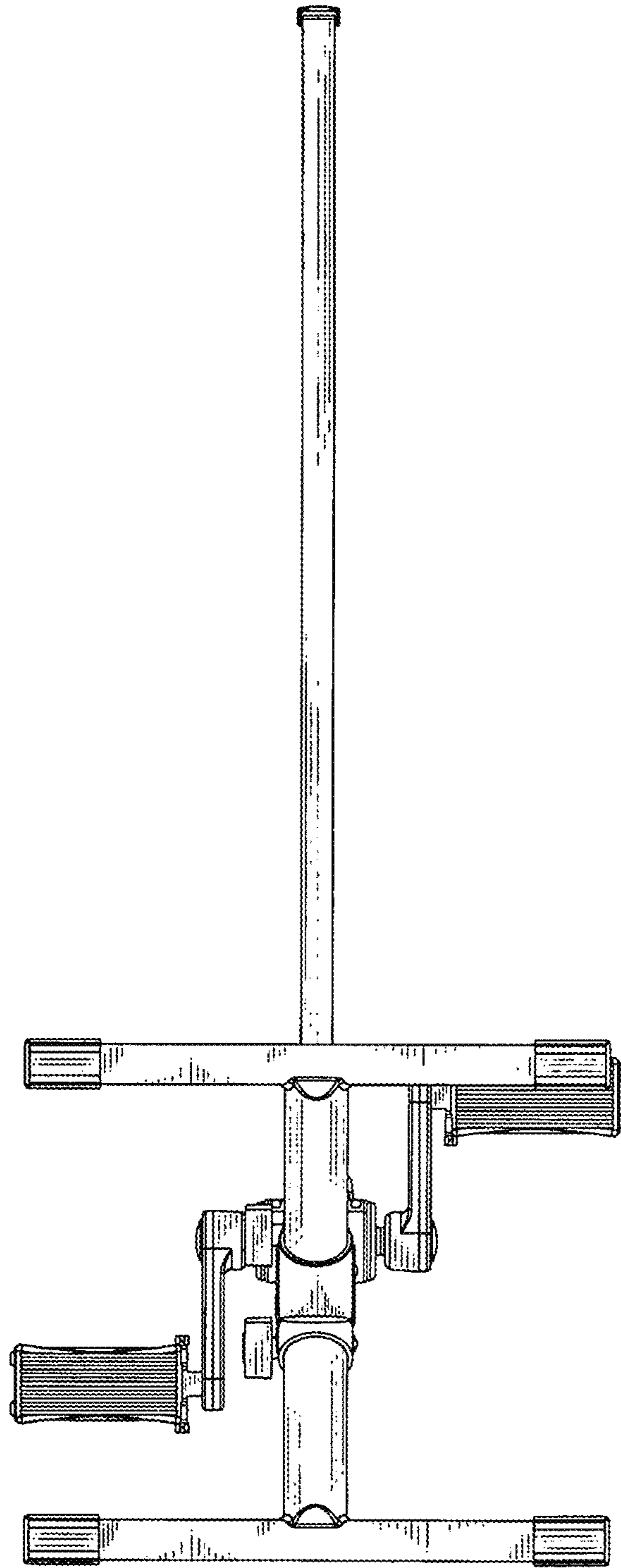


FIG. 4

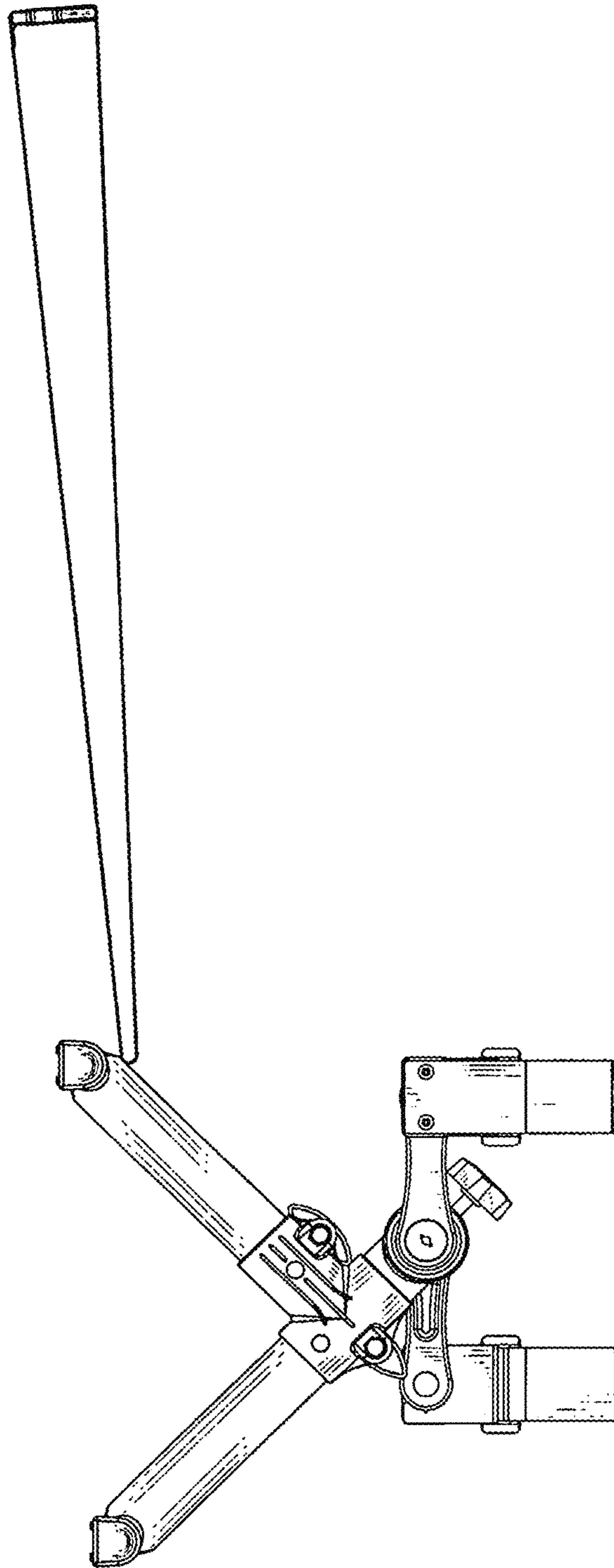


FIG.5

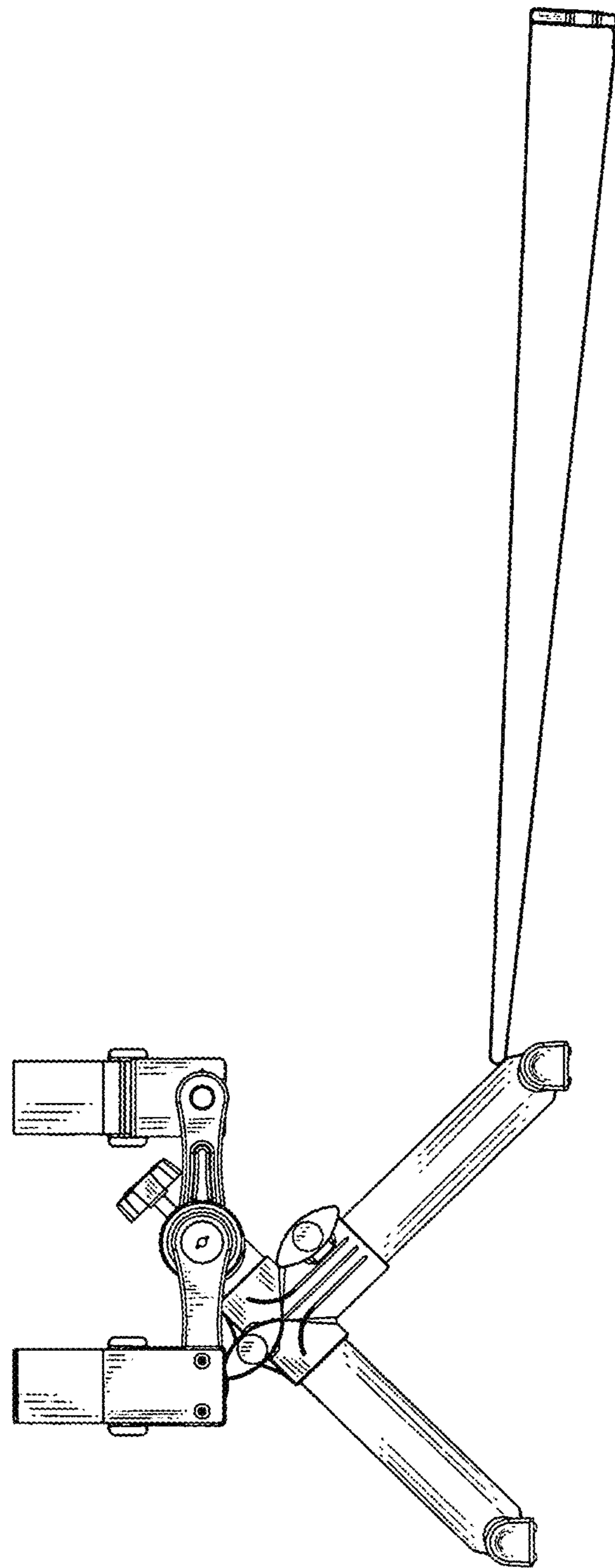


FIG.6

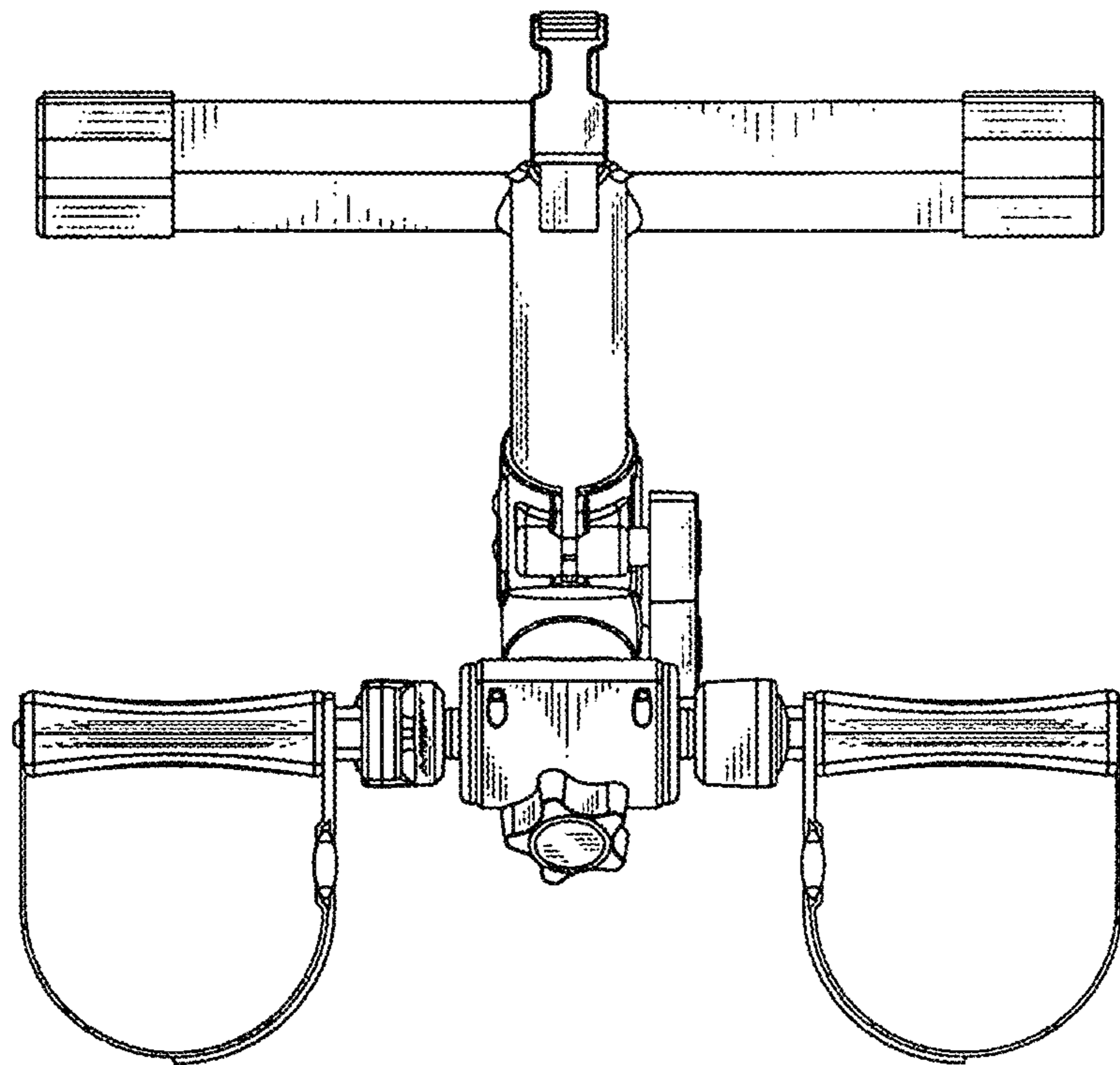


FIG. 7

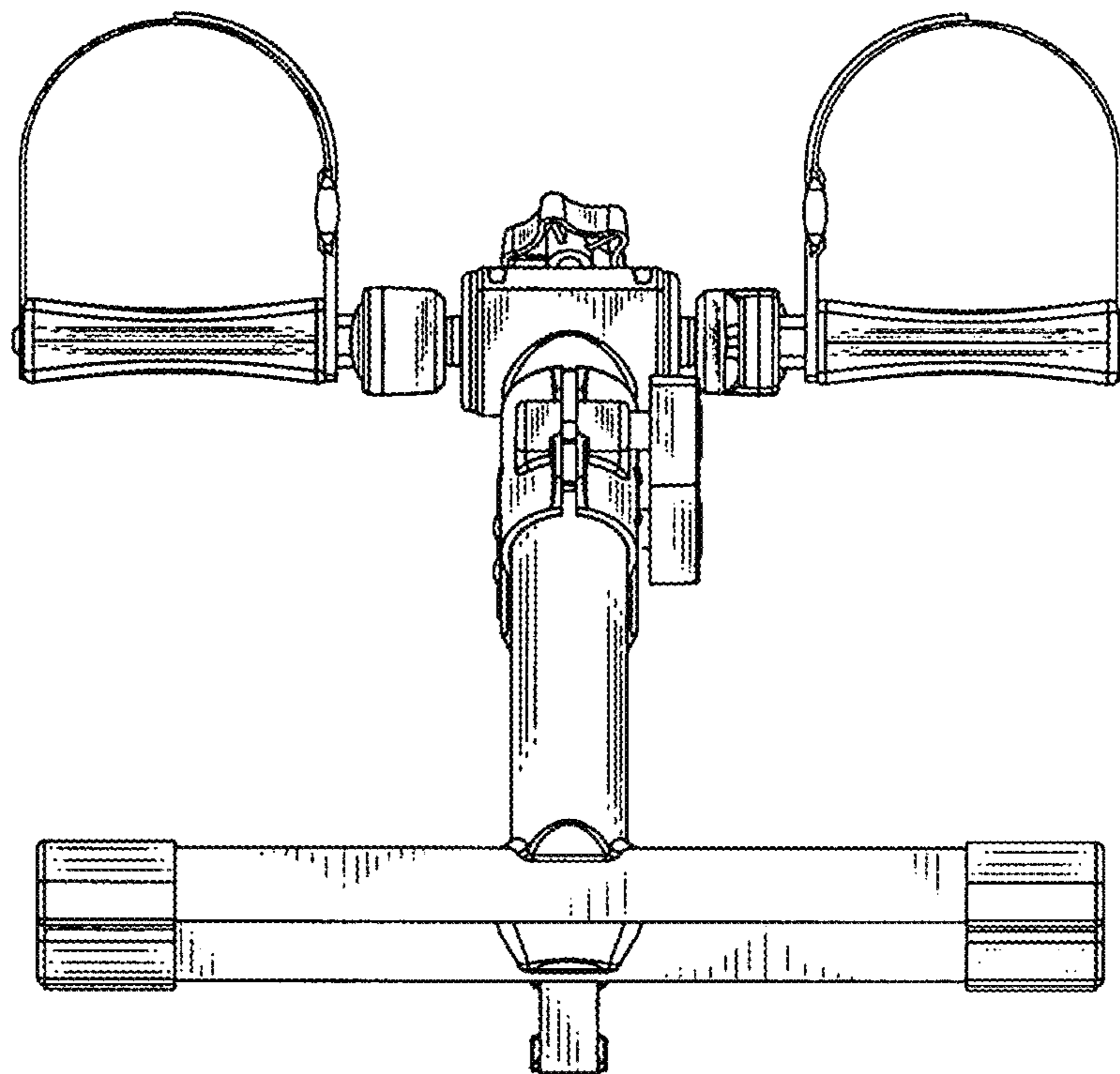


FIG. 8

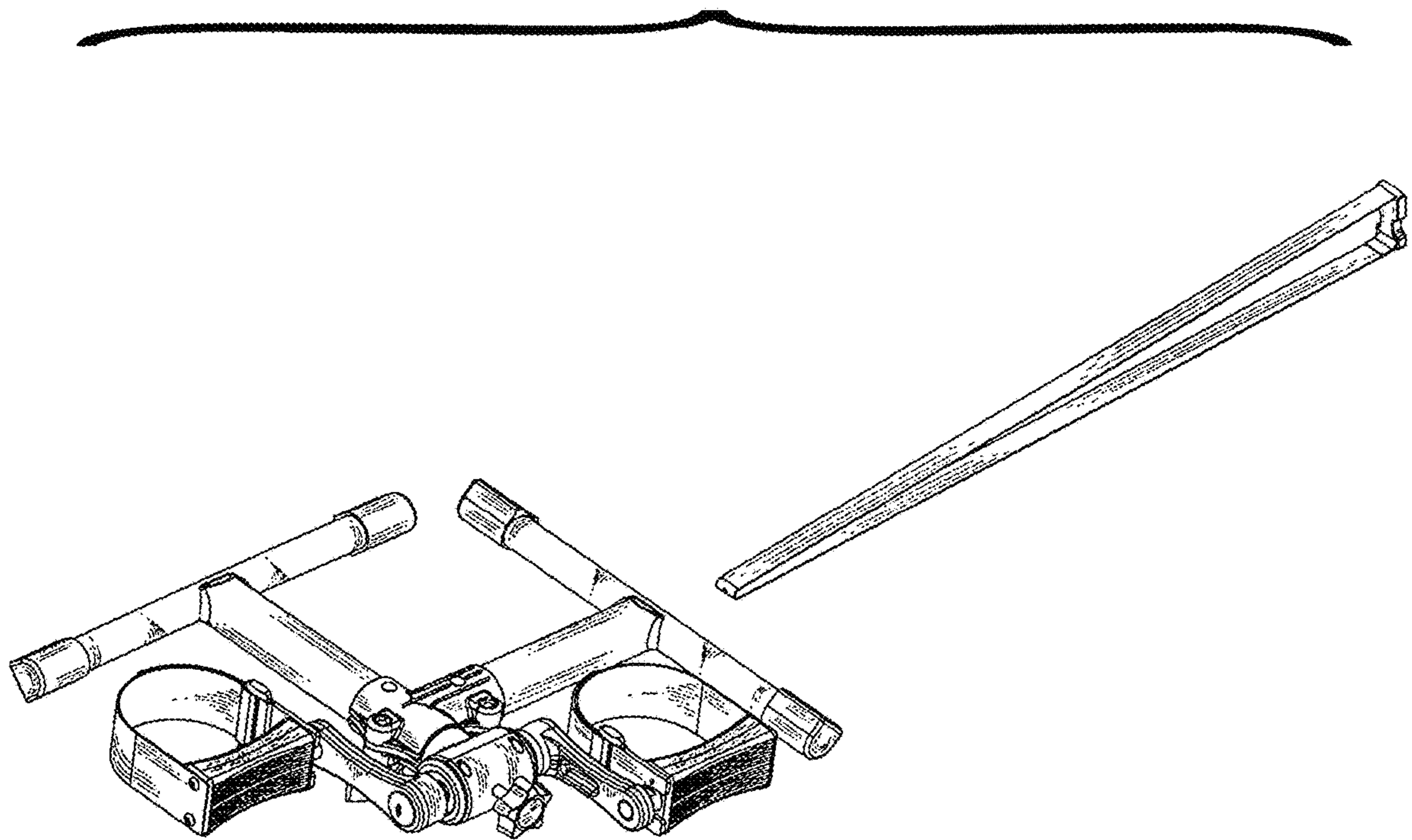


FIG. 9