



US00D918314S

(12) **United States Design Patent**  
**Zhou**

(10) **Patent No.:** **US D918,314 S**

(45) **Date of Patent:** **\*\* May 4, 2021**

(54) **ROBOT TOY**

D680,177 S \* 4/2013 Wong ..... D21/578  
D721,771 S \* 1/2015 Nakano ..... D21/578  
D764,605 S \* 8/2016 Ueda ..... D21/578

(71) Applicant: **Shiming Zhou**, Guangdong (CN)

\* cited by examiner

(72) Inventor: **Shiming Zhou**, Guangdong (CN)

*Primary Examiner* — Zenia I Bennett

(73) Assignee: **Huizhou City Yize E-Commerce Co., Ltd.**, Guangdong (CN)

(\*\*) Term: **15 Years**

(57) **CLAIM**

(21) Appl. No.: **29/713,140**

The ornamental design for a robot toy, as shown and described.

(22) Filed: **Nov. 14, 2019**

(51) **LOC (13) Cl.** ..... **21-01**

(52) **U.S. Cl.**

USPC ..... **D21/578**

(58) **Field of Classification Search**

USPC ..... D21/578-586; D19/59; D15/199  
CPC . B25J 9/00; B25J 9/0003; B25J 9/0006; B25J  
13/00; B25J 5/00; B25J 5/007

See application file for complete search history.

**DESCRIPTION**

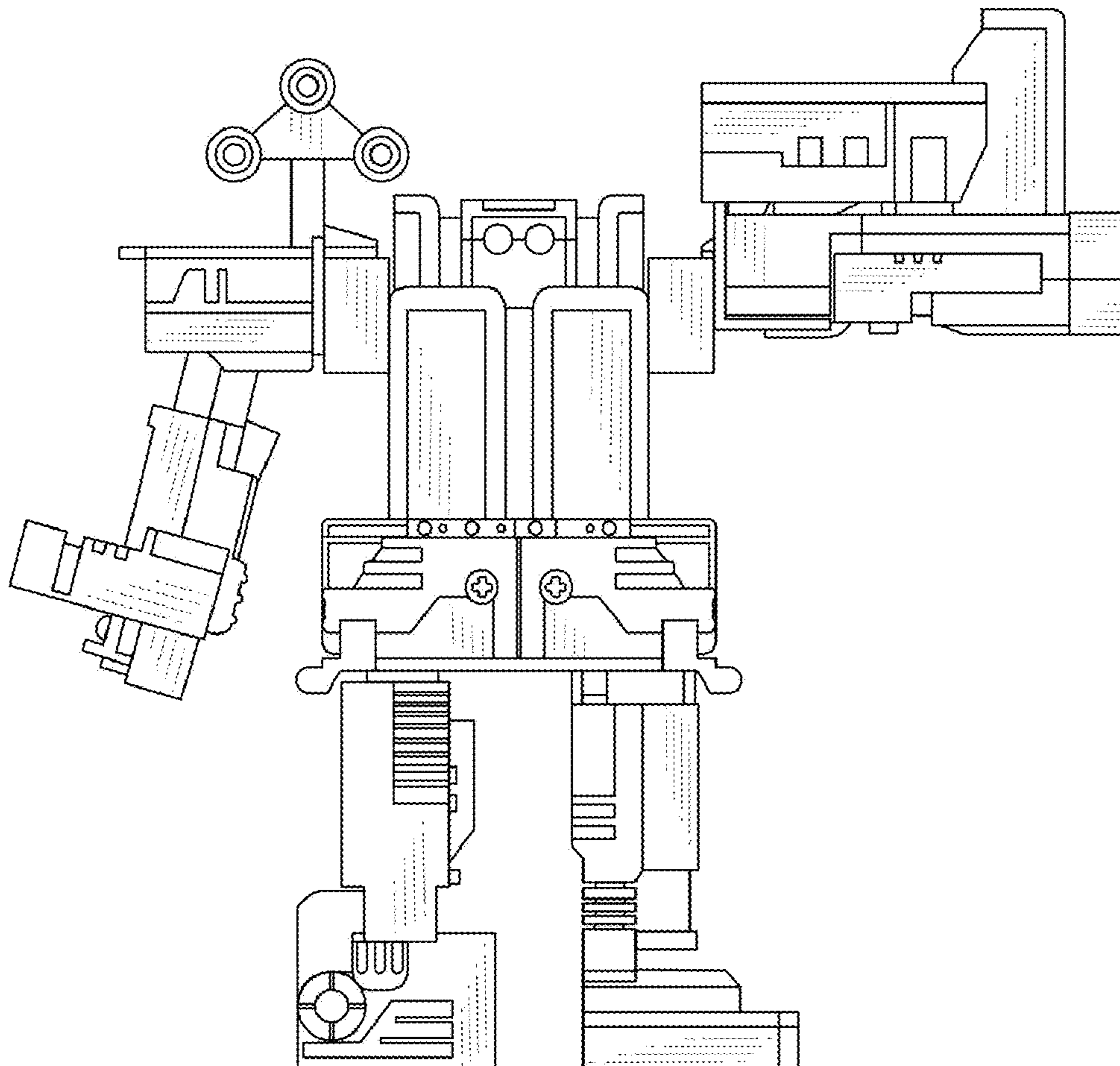
FIG. 1 is a perspective view of a robot toy showing my new design;  
FIG. 2 is a front elevational view thereof;  
FIG. 3 is a rear elevational view thereof;  
FIG. 4 is a left side elevational view thereof;  
FIG. 5 is a right side elevational view thereof;  
FIG. 6 is a top plan view thereof; and,  
FIG. 7 is a bottom plan view thereof.

(56) **References Cited**

**U.S. PATENT DOCUMENTS**

D645,523 S \* 9/2011 Wong ..... D21/578  
D647,147 S \* 10/2011 Wong ..... D21/578

**1 Claim, 7 Drawing Sheets**



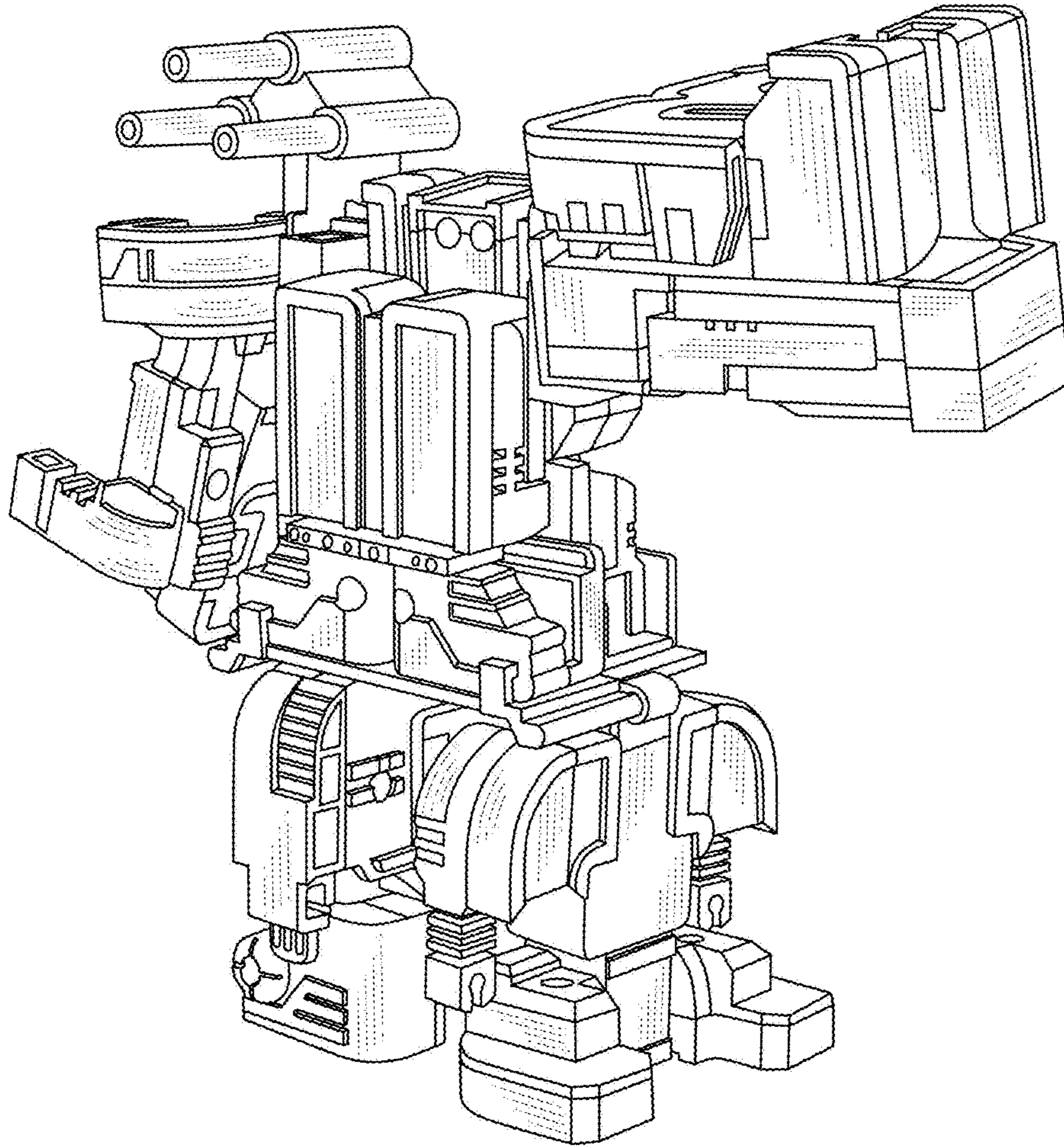


FIG. 1

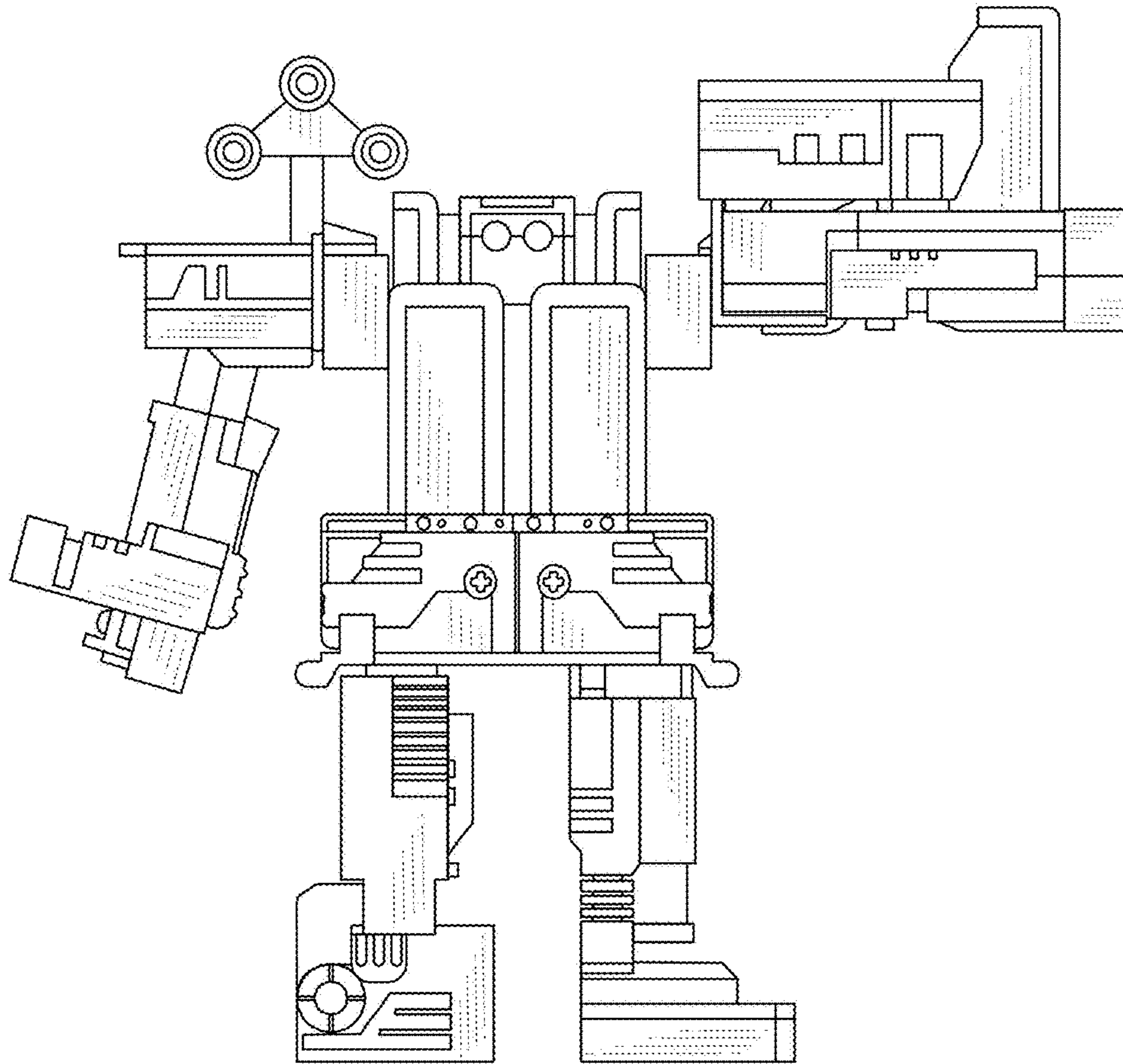


FIG. 2

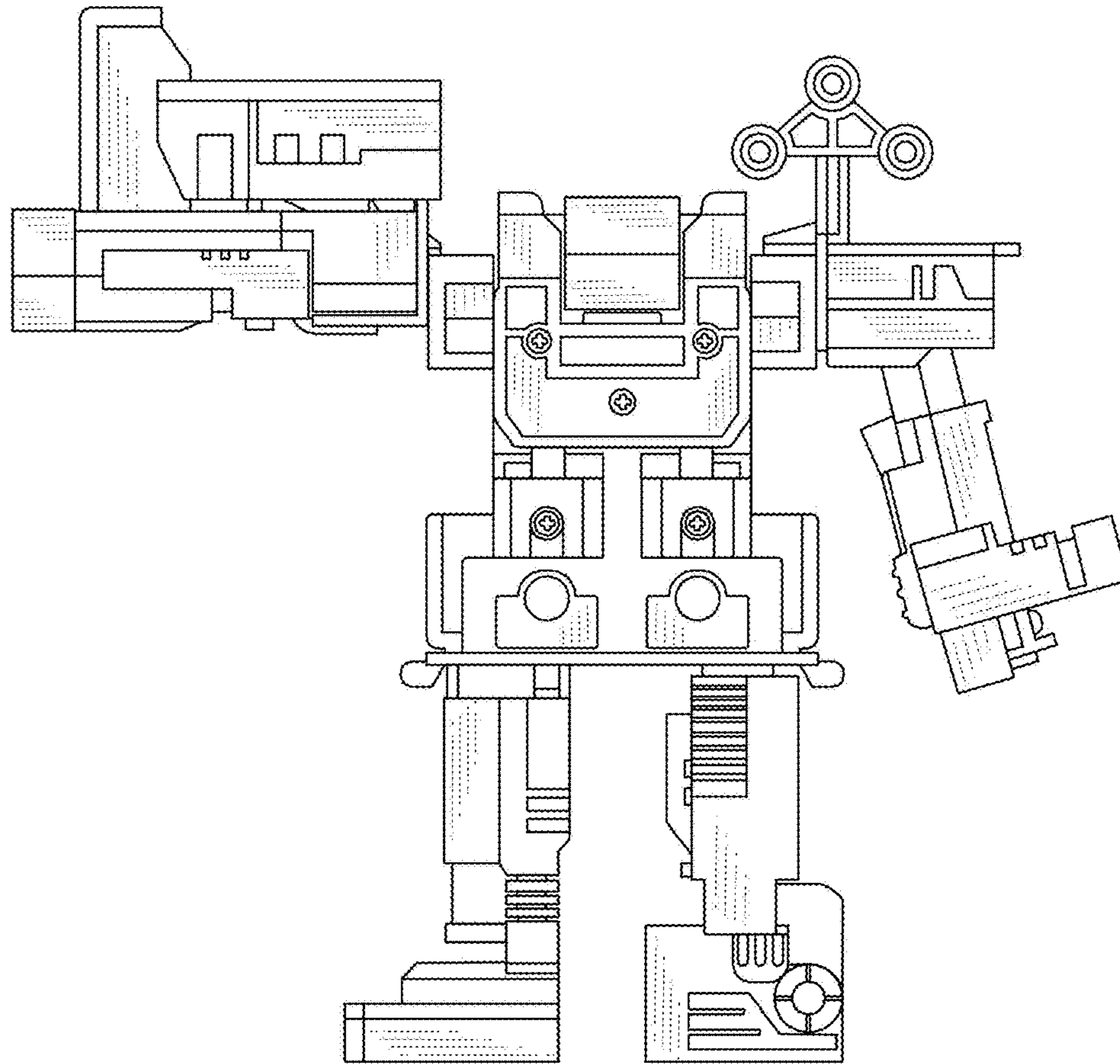


FIG. 3

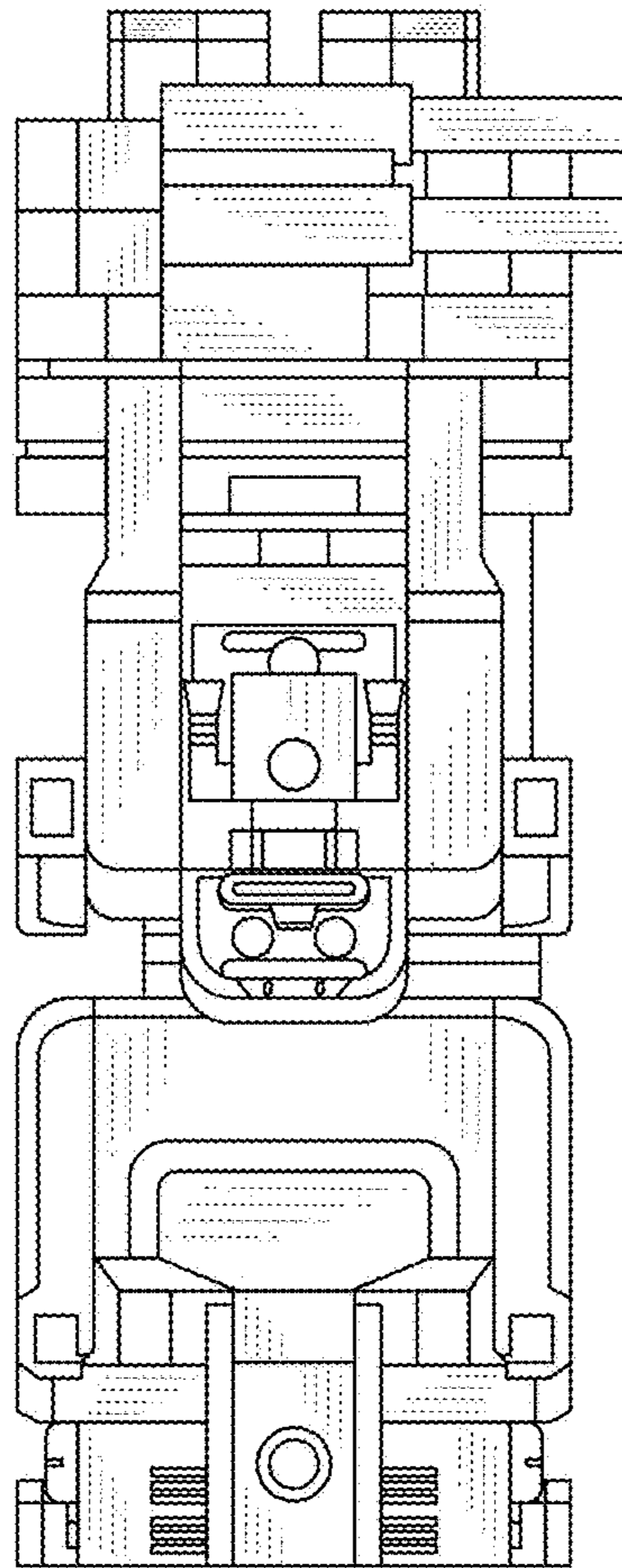


FIG. 4

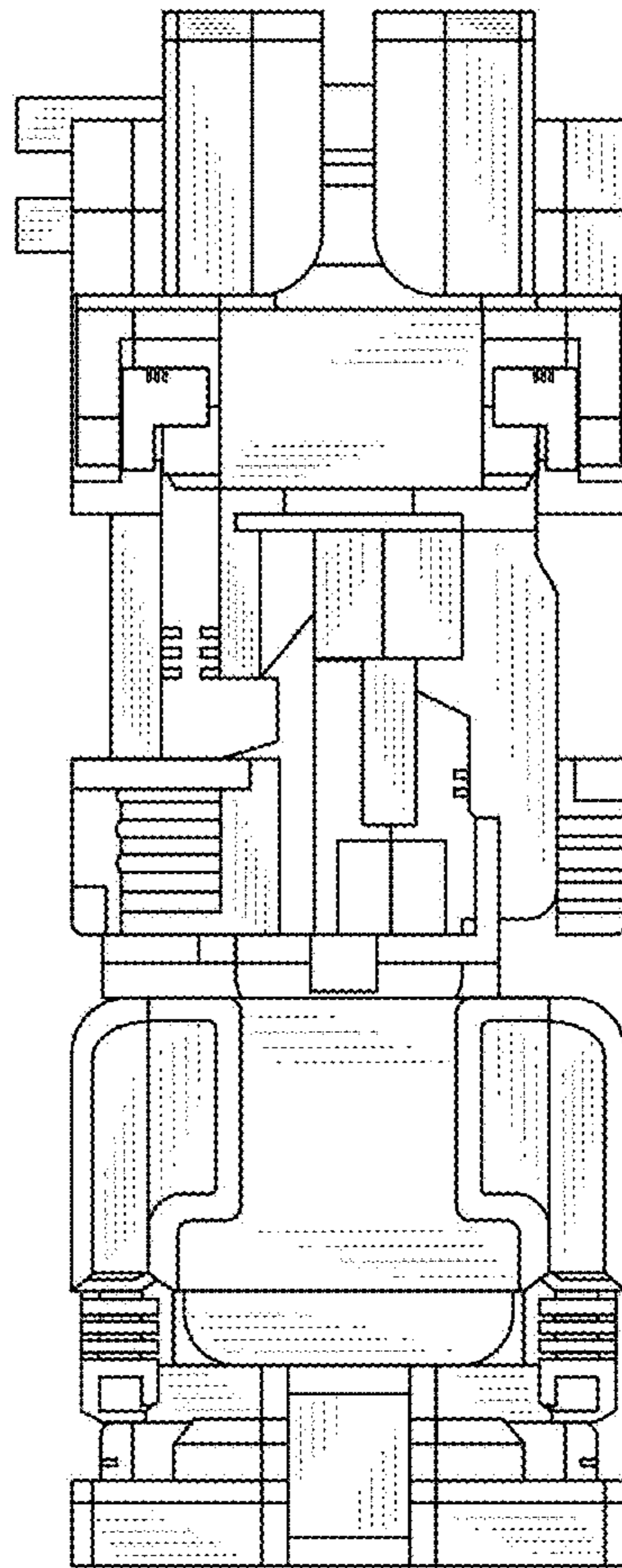


FIG. 5

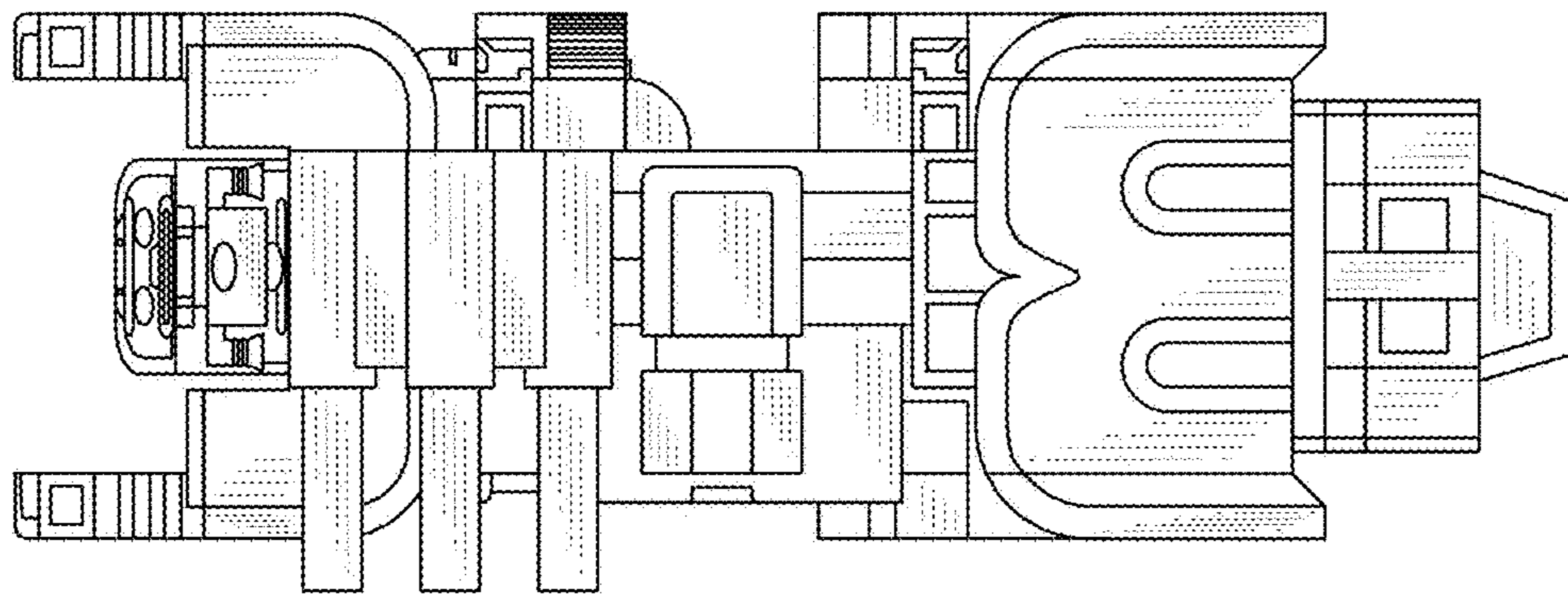


FIG. 6

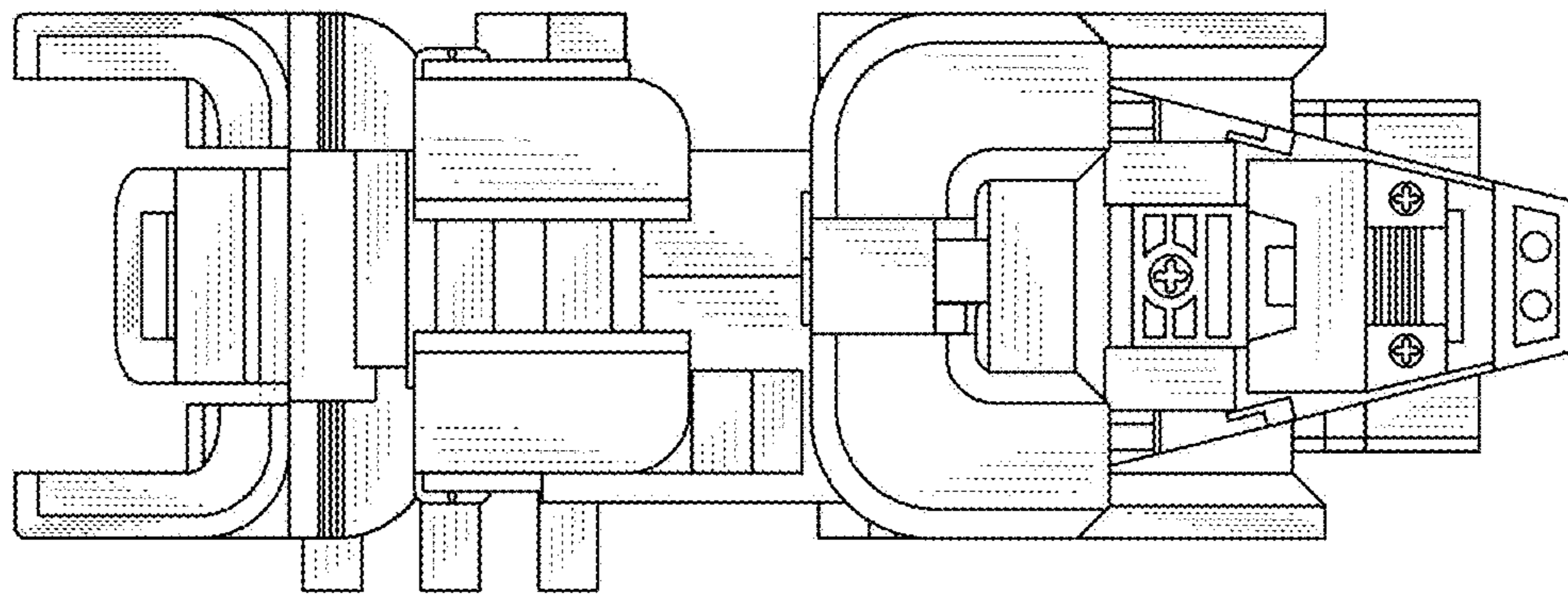


FIG. 7