



US00D918312S

(12) **United States Design Patent**
Manzoni

(10) **Patent No.:** **US D918,312 S**

(45) **Date of Patent:** **** May 4, 2021**

(54) **TOY CAR**

(56) **References Cited**

(71) Applicant: **FERRARI S.p.A.**, Modena (IT)

U.S. PATENT DOCUMENTS

(72) Inventor: **Flavio Manzoni**, Maranello (IT)

D801,871 S *	11/2017	Manzoni	D12/92
D845,170 S *	4/2019	Melville	D12/88
D856,194 S *	8/2019	Saleen	D12/92
D860,861 S *	9/2019	Manzoni	D12/88
D870,823 S *	12/2019	Manzoni	D21/548
D874,979 S *	2/2020	Crijns	D12/88
D885,256 S *	5/2020	Manzoni	D12/88
D897,898 S *	10/2020	Manzoni	D12/88
D899,304 S *	10/2020	Palazzo	D12/88
D904,230 S *	12/2020	Wang	D12/92
D906,888 S *	1/2021	Satulovsky	D12/98

(73) Assignee: **FERRARI S.p.A.**, Modena (IT)

(**) Term: **15 Years**

(21) Appl. No.: **35/508,816**

(22) Filed: **Sep. 13, 2019**

* cited by examiner

(80) **Hague Agreement Data**

Int. Filing Date: **Sep. 13, 2019**

Int. Reg. No.: **DM/204296**

Int. Reg. Date: **Sep. 13, 2019**

Int. Reg. Pub. Date: **Mar. 13, 2020**

Primary Examiner — George D. Kirschbaum

(74) *Attorney, Agent, or Firm* — Cowan, Liebowitz & Latman, P.C.; Anastasia Zhadina

(57) **CLAIM**

The ornamental design for a toy car, as shown and described.

(30) **Foreign Application Priority Data**

Mar. 15, 2019 (EM) 006308821

(51) **LOC (13) Cl.** **21-01**

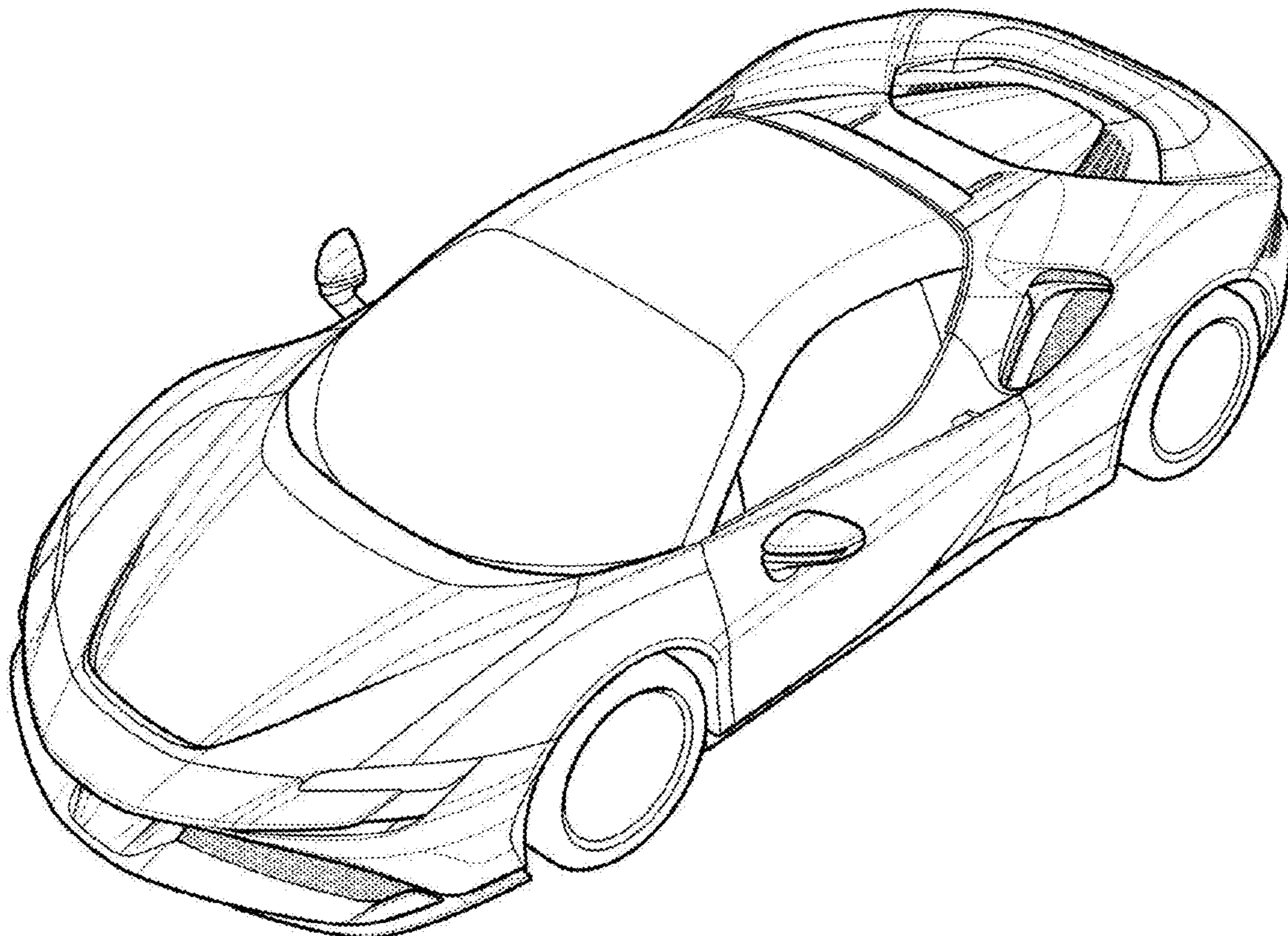
(52) **U.S. Cl.**
USPC **D21/548**; D12/92

(58) **Field of Classification Search**
USPC D12/88, 91-92; D21/548, 533
See application file for complete search history.

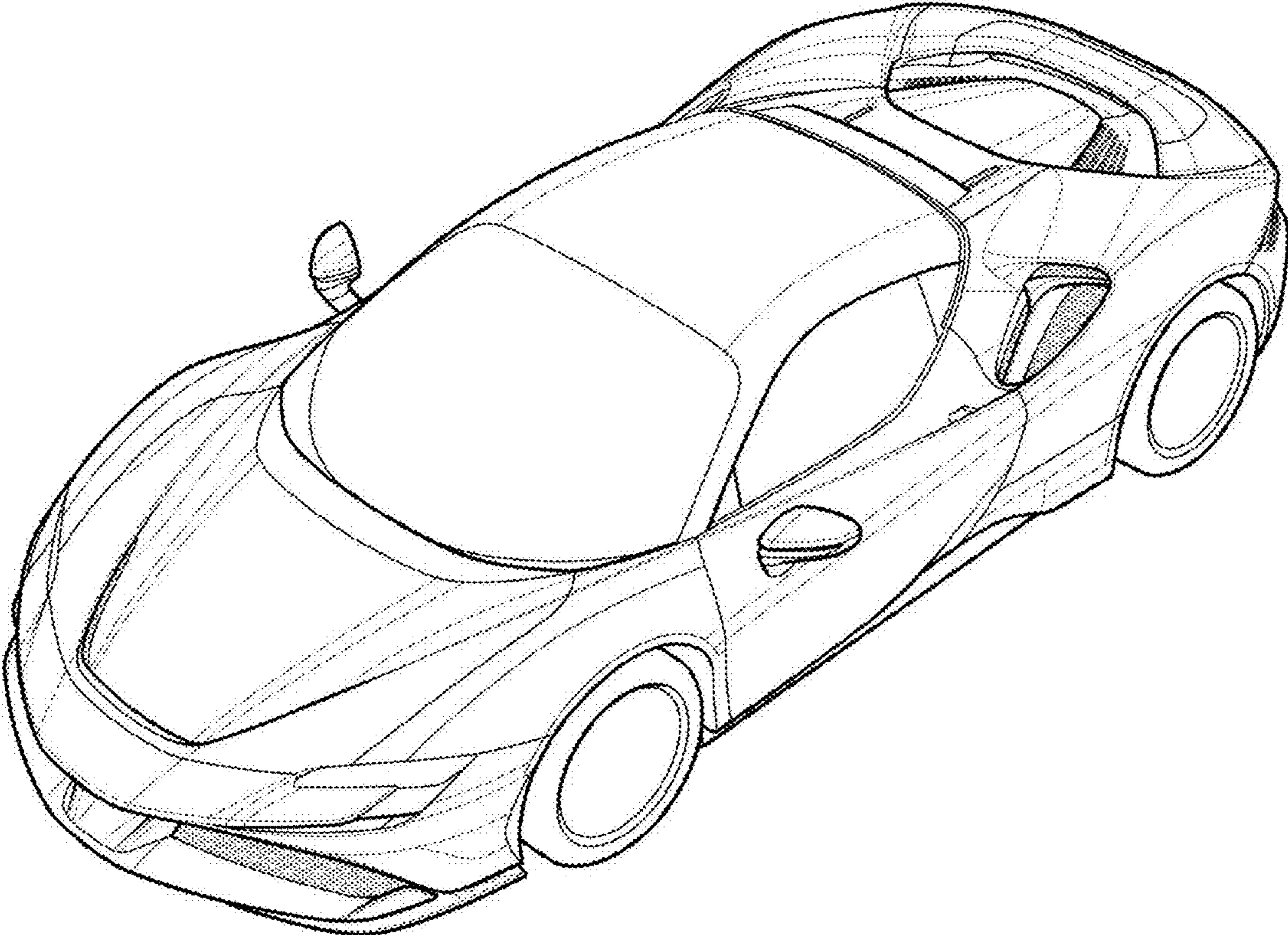
DESCRIPTION

- 1. Toy car
- 1.1 : Front perspective view
- 1.2 : Rear perspective view
- 1.3 : Front
- 1.4 : Back
- 1.5 : Lateral view
- 1.6 : Top plan view

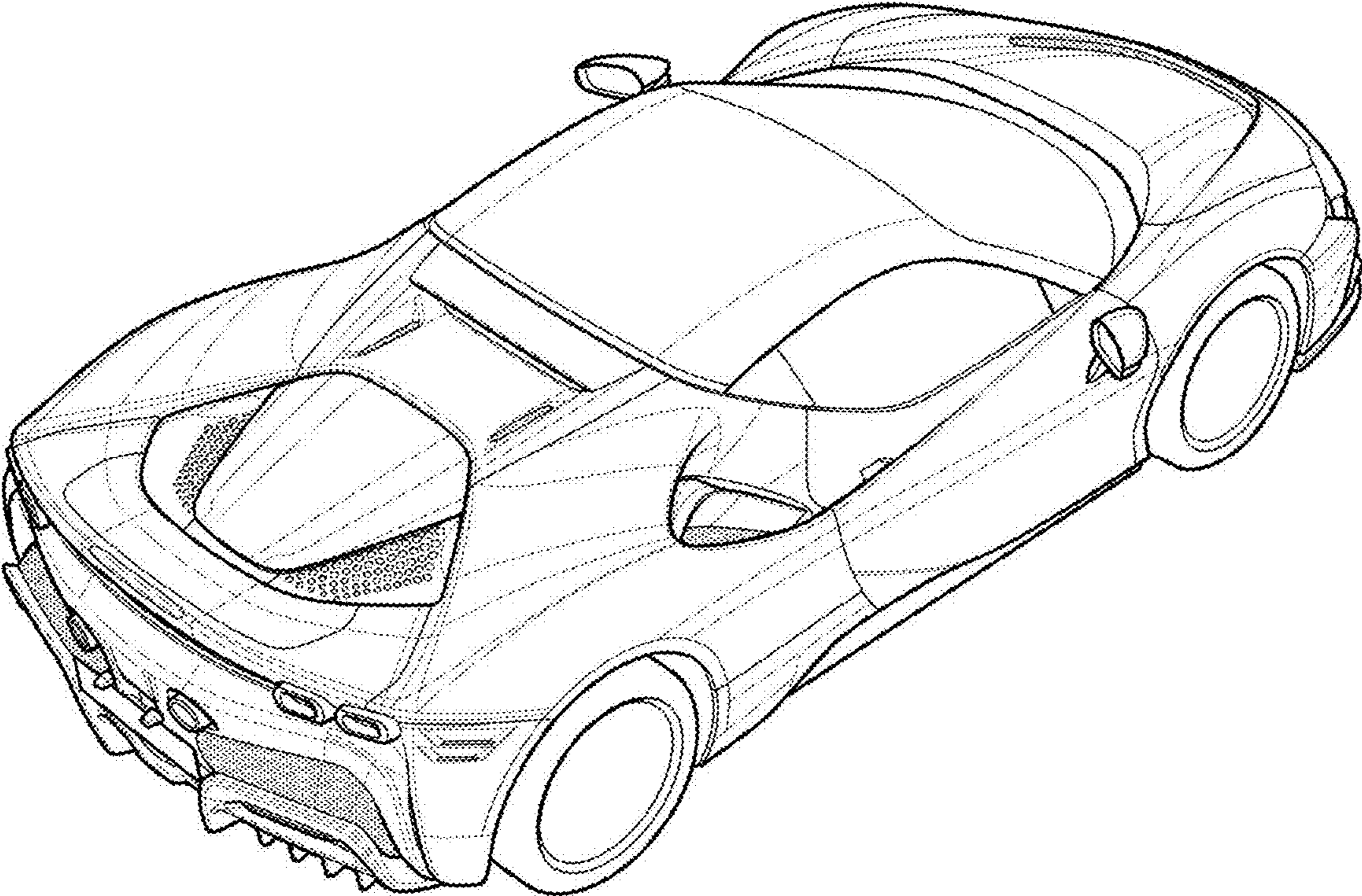
1 Claim, 6 Drawing Sheets



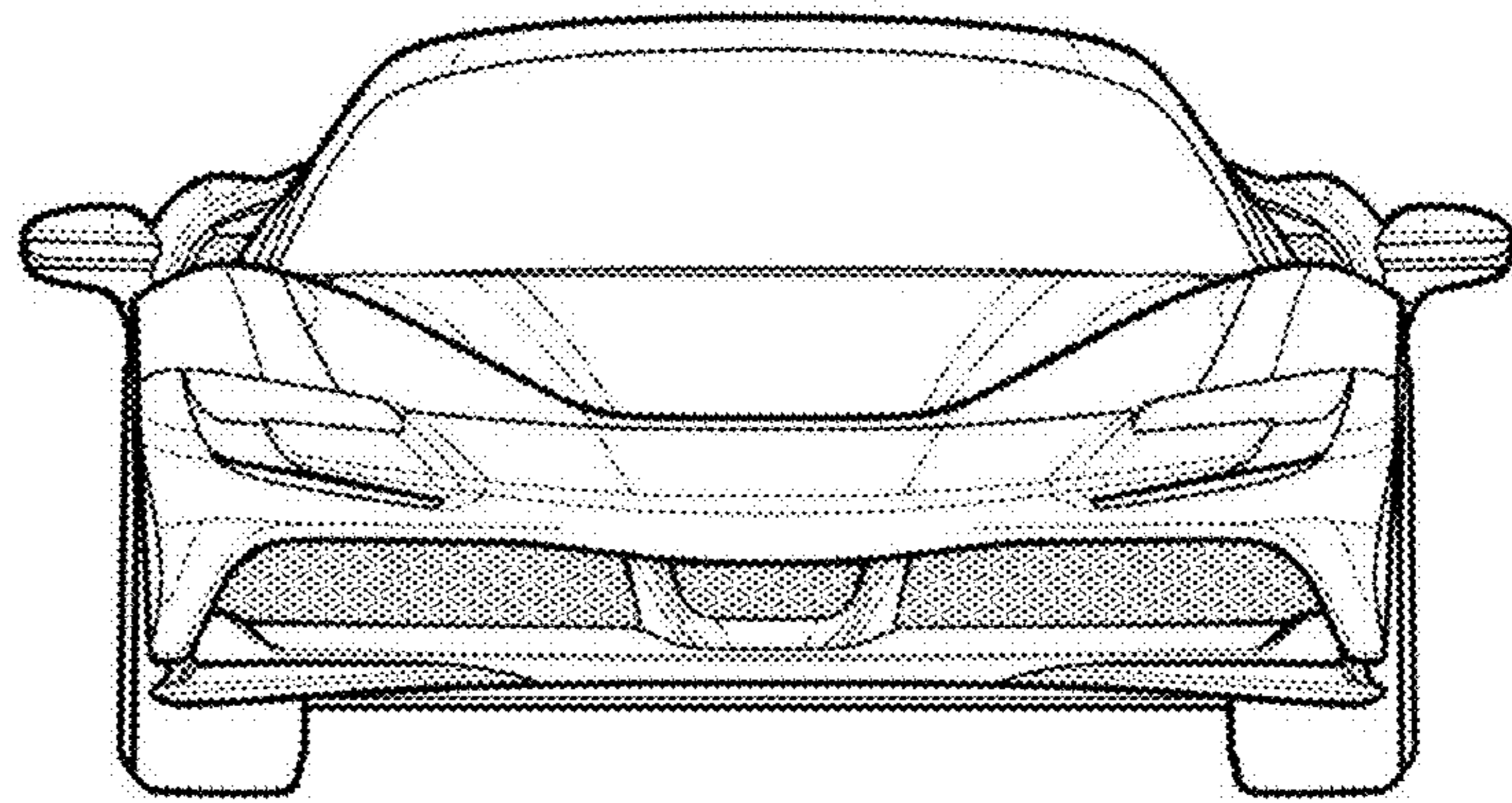
1.1



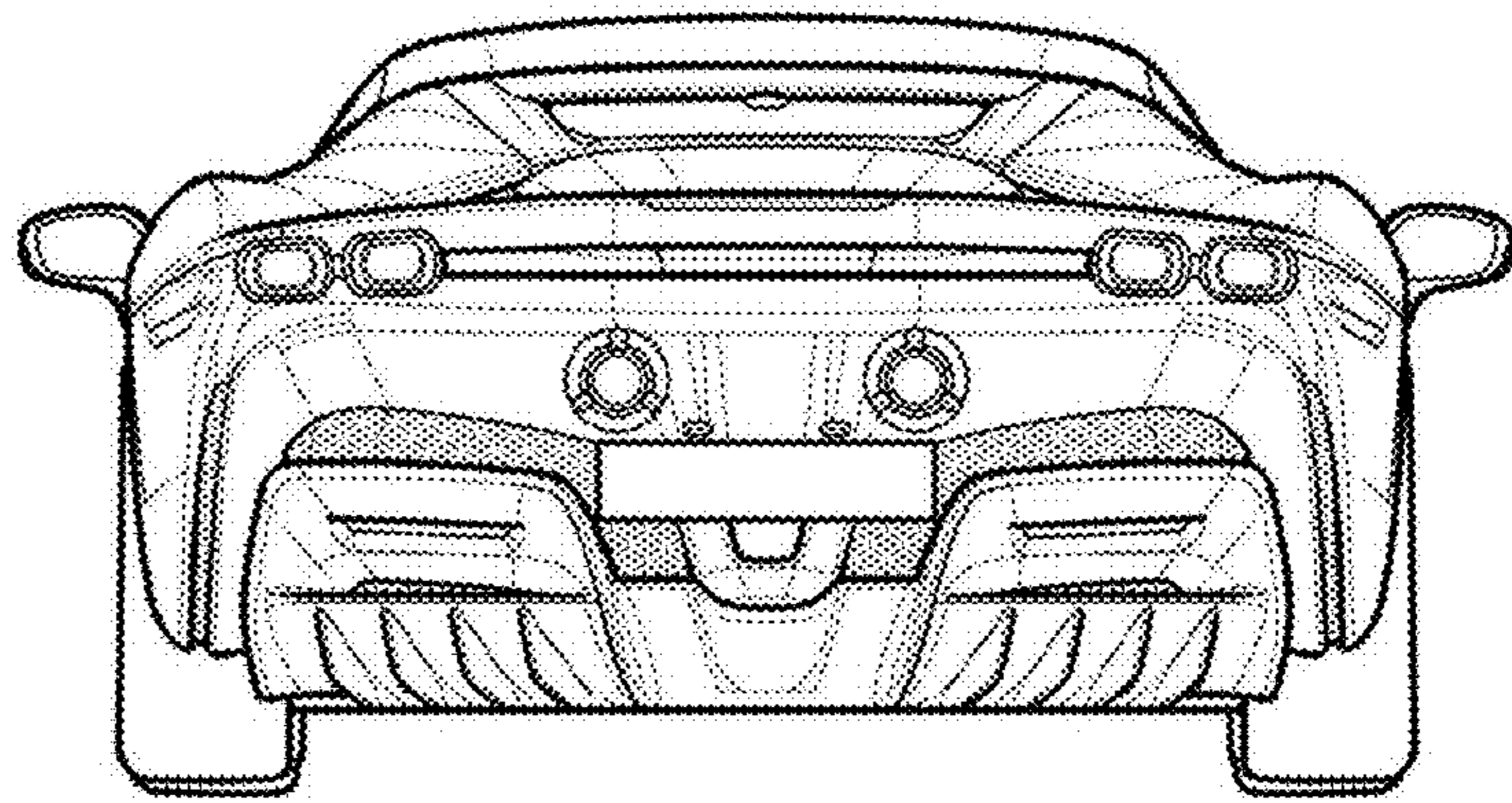
1.2



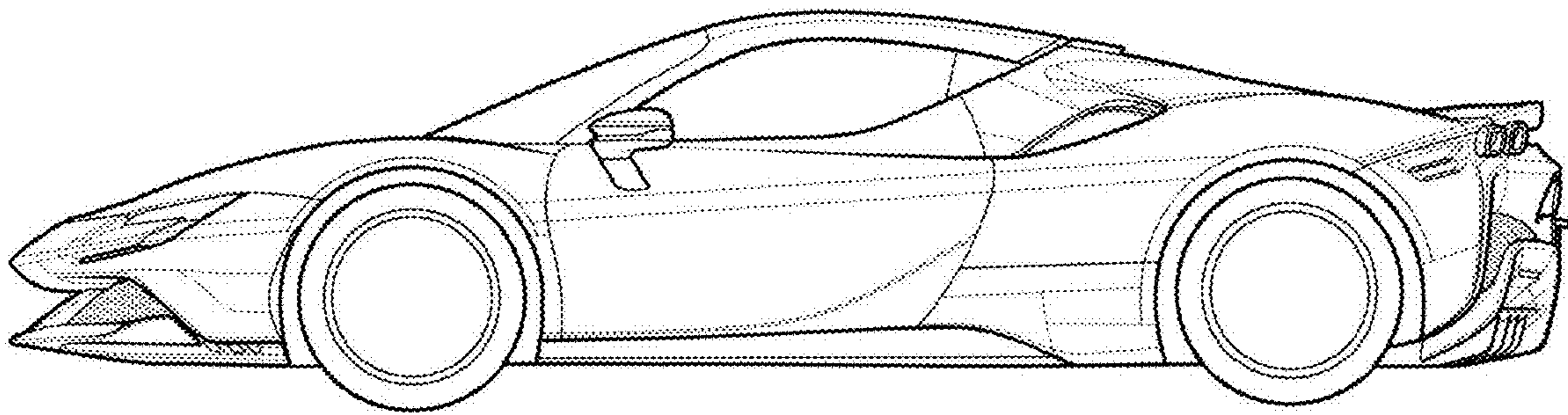
1.3



1.4



1.5



1.6

