



US00D918307S

(12) **United States Design Patent**  
**Fan et al.**

(10) **Patent No.:** **US D918,307 S**

(45) **Date of Patent:** **\*\* May 4, 2021**

(54) **SCOOTER**

(71) Applicant: **HONGJI INTELLIGENT BIKE CO., LTD**, Changzhou (CN)

(72) Inventors: **Feng Fan**, Changzhou (CN); **Meng Zhu**, Changzhou (CN); **Yang Li**, Changzhou (CN)

(\*\*) Term: **15 Years**

(21) Appl. No.: **29/721,284**

(22) Filed: **Jan. 20, 2020**

(51) **LOC (13) Cl.** ..... **21-01**

(52) **U.S. Cl.**  
USPC ..... **D21/423**

(58) **Field of Classification Search**  
USPC ..... D21/419, 421, 423, 432, 435, 760, 763, D21/765, 771; D12/1, 110  
CPC ..... B62K 3/002; B62K 9/00; B62K 2202/00; B62K 15/00; B62K 2015/001; B62K 2015/003; B60Y 2200/126  
See application file for complete search history.

(56) **References Cited**

U.S. PATENT DOCUMENTS

D829,826 S \* 10/2018 Liu ..... D21/423  
D834,097 S \* 11/2018 Lin ..... D21/423  
D849,153 S \* 5/2019 Zhang ..... D21/423  
D858,647 S \* 9/2019 Liu ..... D21/423

D872,191 S \* 1/2020 Lee ..... D21/423  
D886,907 S \* 6/2020 Gao ..... D21/423  
D897,446 S \* 9/2020 Lee ..... D21/423  
D900,237 S \* 10/2020 Lee ..... D21/423  
D905,793 S \* 12/2020 Yang ..... D21/423  
D905,794 S \* 12/2020 Liu ..... D21/423  
2020/0283086 A1 \* 9/2020 Ulmen ..... B62M 6/65

\* cited by examiner

*Primary Examiner* — Cynthia M. Chin

(57) **CLAIM**

The ornamental design for a scooter, as shown and described.

**DESCRIPTION**

FIG. 1 is a first perspective view of a scooter showing my new design;  
FIG. 2 is a second perspective view thereof;  
FIG. 3 is a front view thereof;  
FIG. 4 is a back view thereof;  
FIG. 5 is a left side view thereof;  
FIG. 6 is a right side view thereof;  
FIG. 7 is a top view thereof;  
FIG. 8 is a bottom view thereof;  
FIG. 9 is an enlarged partial view of the front wheel area taken from the right of FIG. 2; and,  
FIG. 10 is an enlarged partial view of the rear wheel area taken from the left of FIG. 2.

The dash-dot broken lines represent the boundaries of the enlarged partial views of FIGS. 9 & 10 and form no part of the claimed design.

**1 Claim, 10 Drawing Sheets**

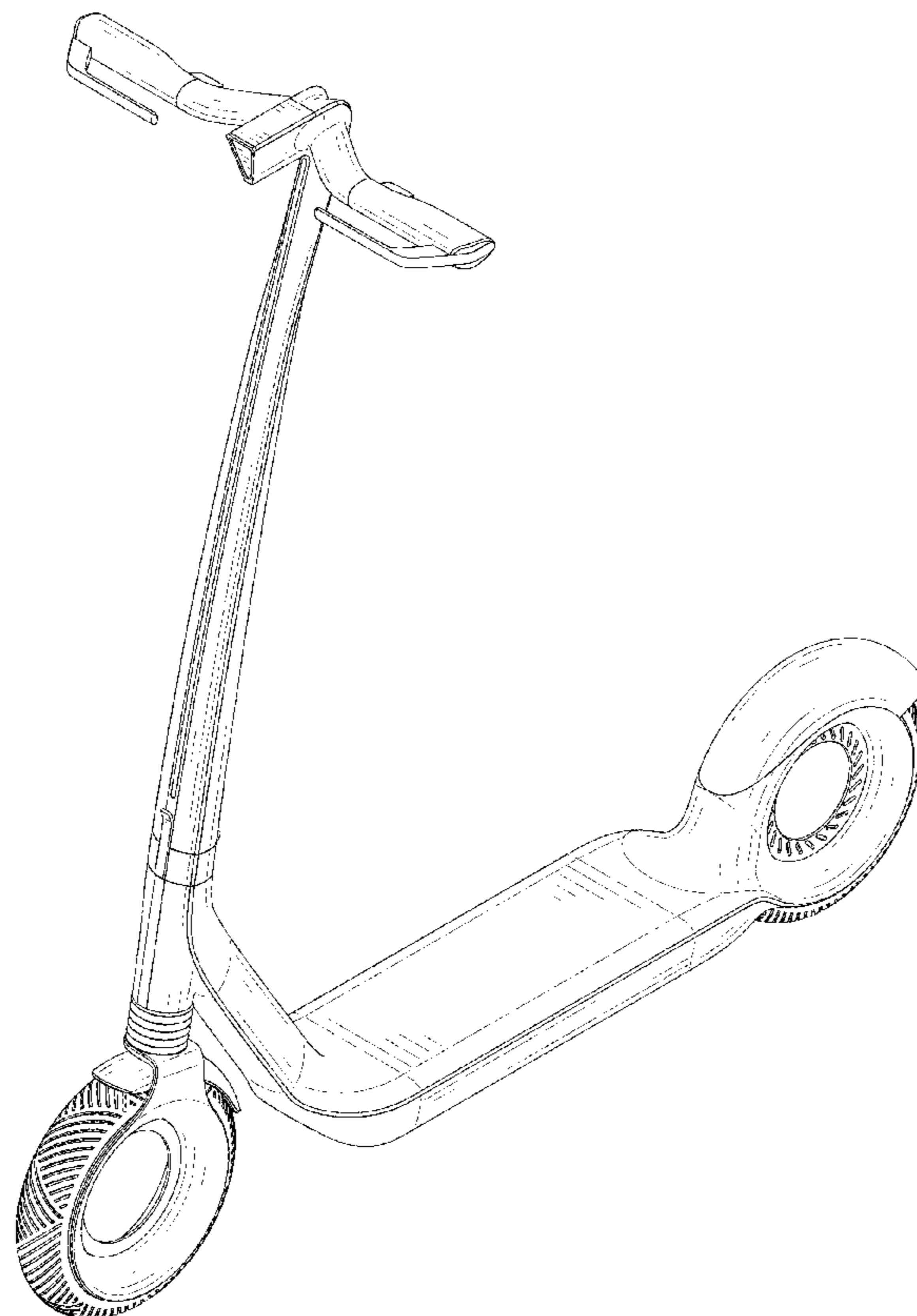




FIG. 1

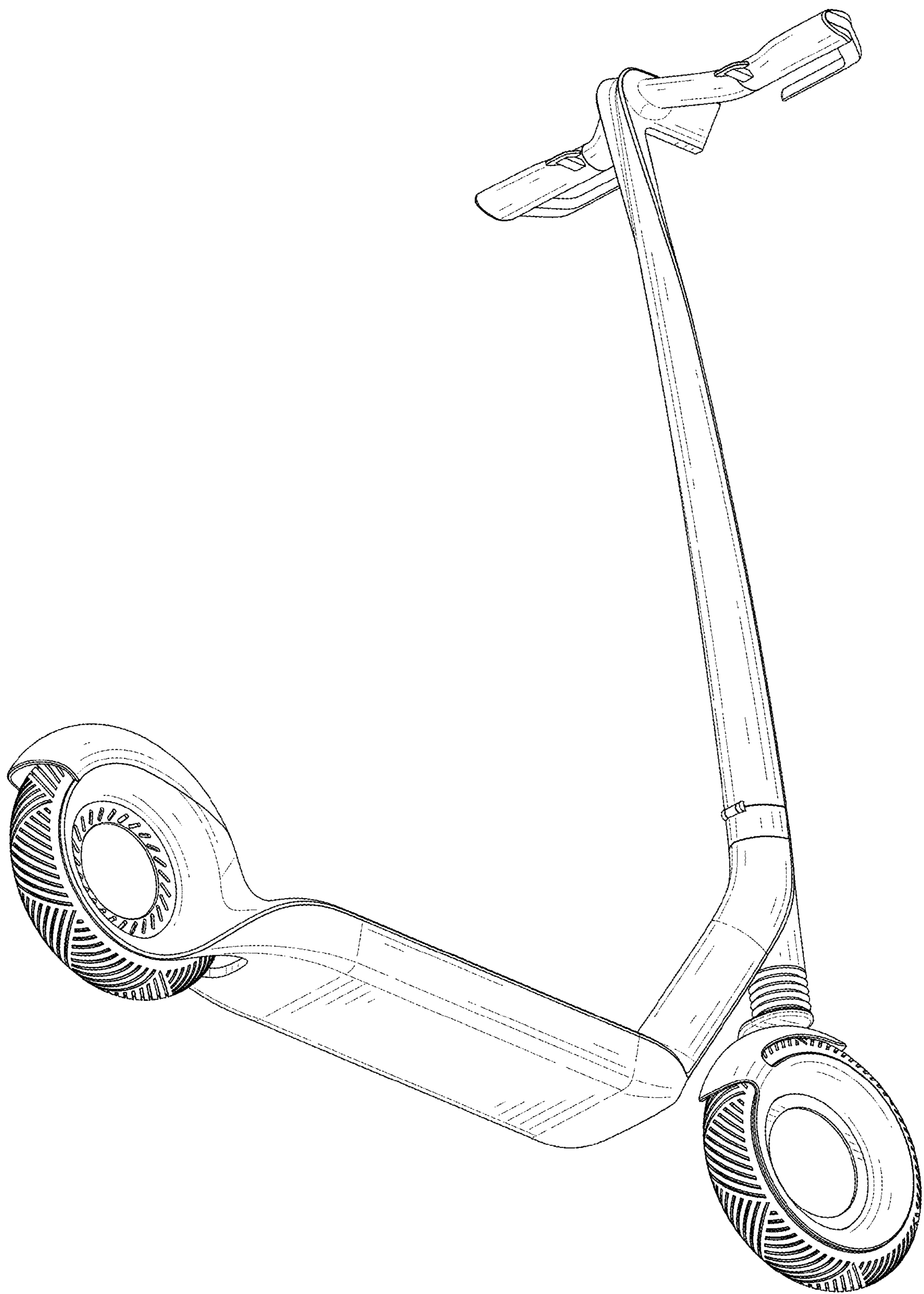


FIG. 2

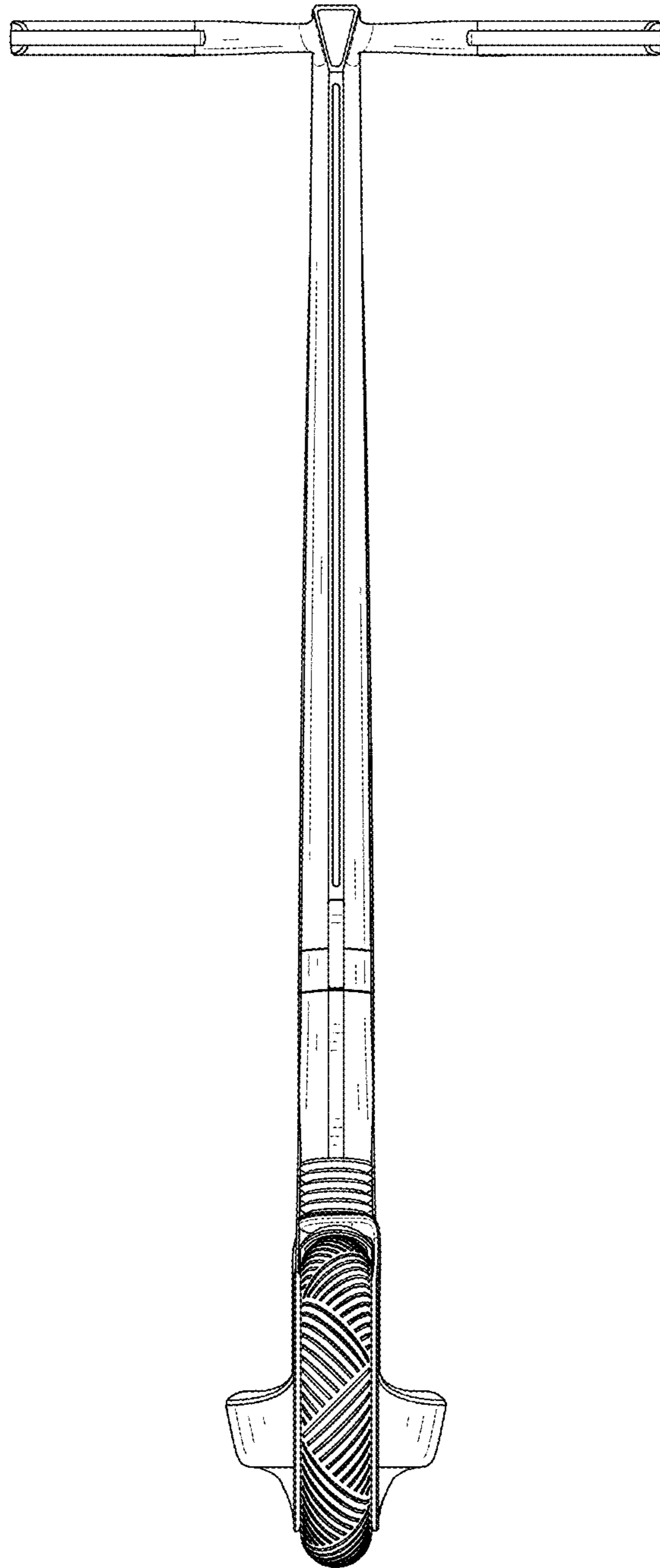


FIG. 3

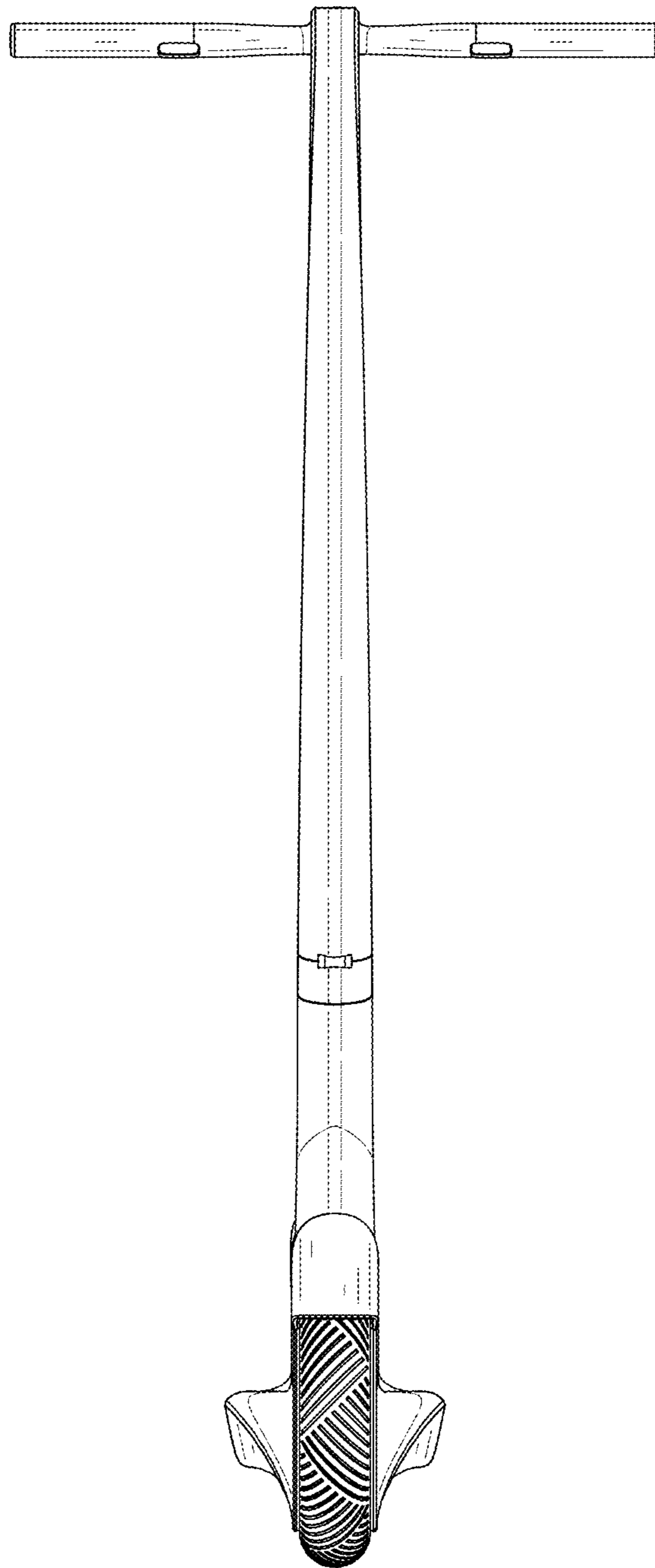


FIG. 4



FIG. 5



FIG. 6

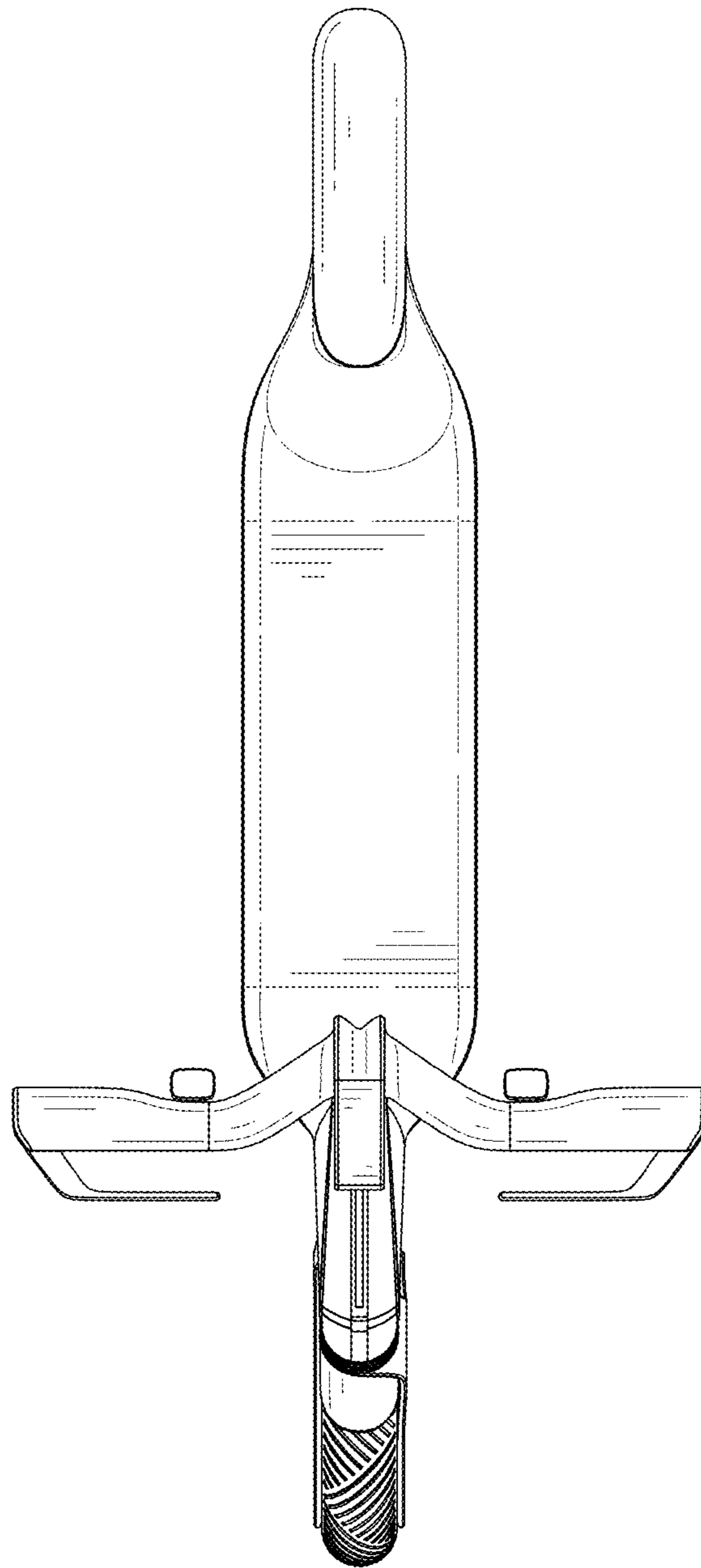


FIG. 7



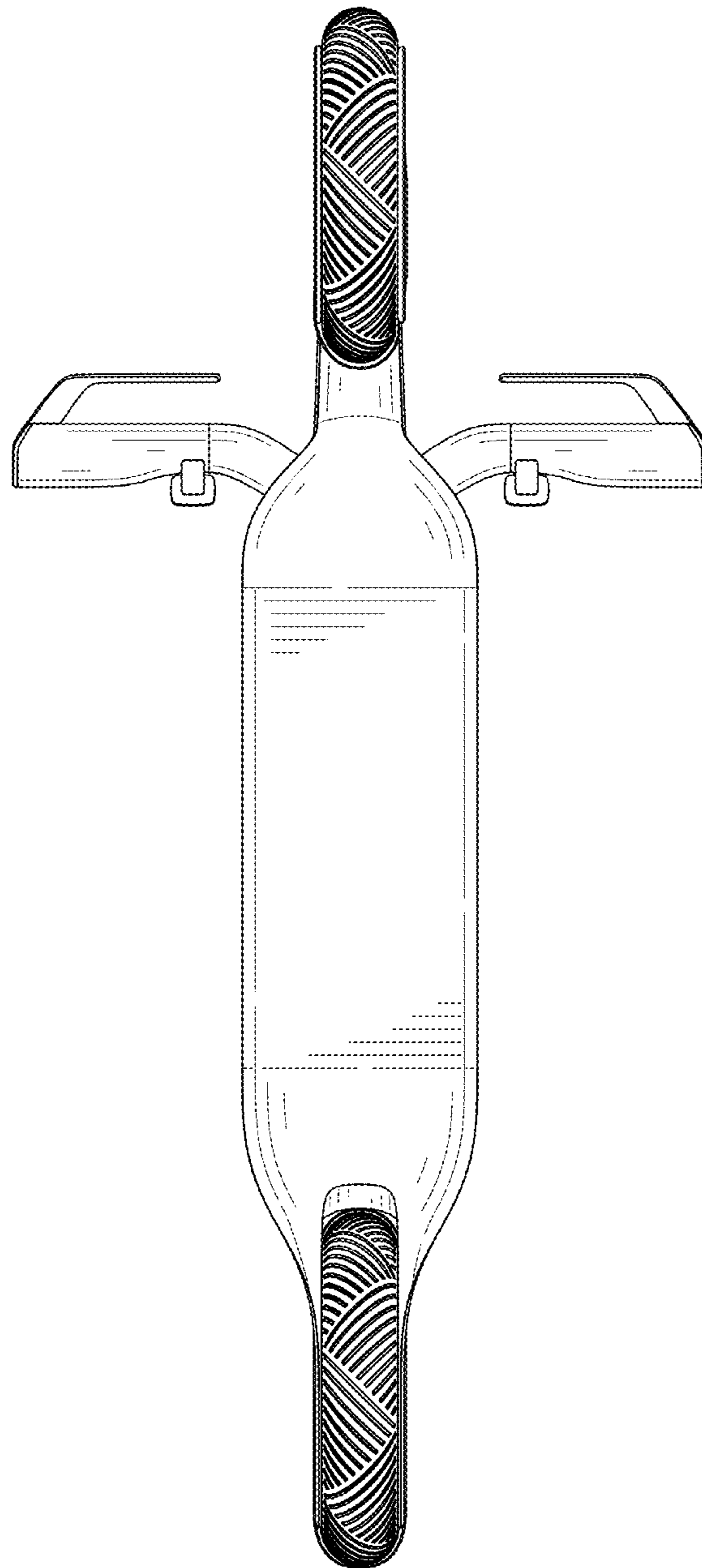


FIG. 8

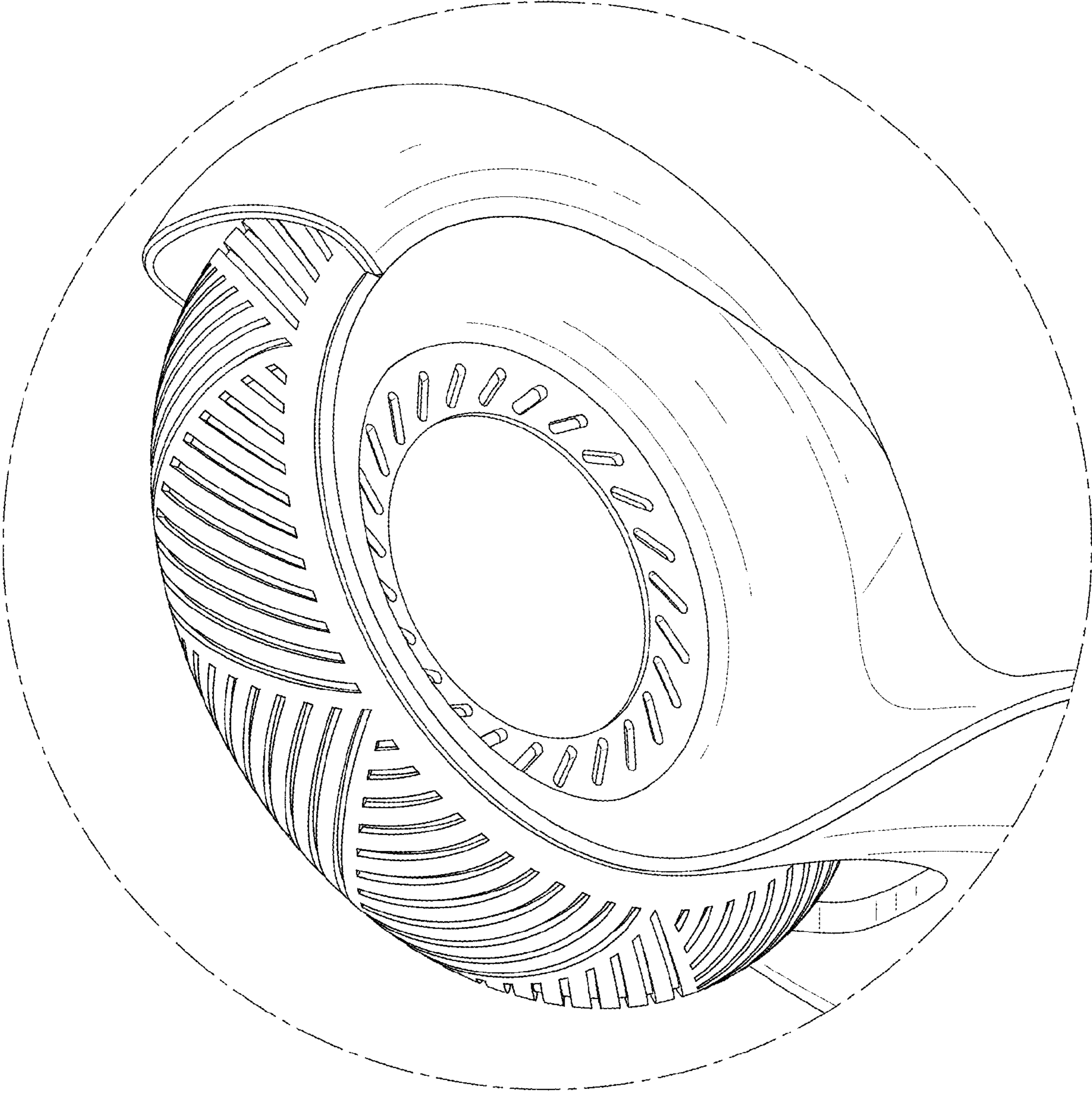


FIG. 9

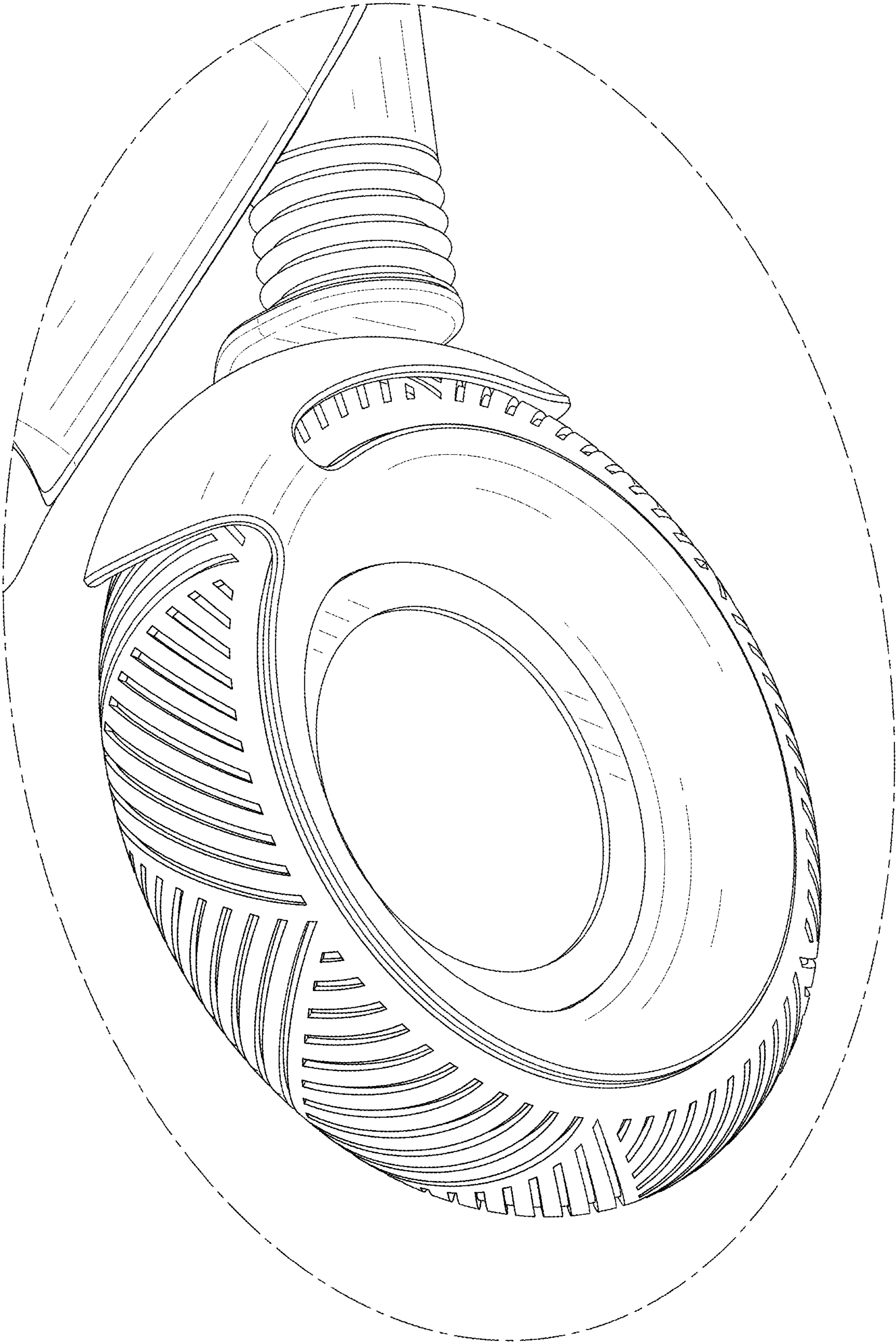


FIG. 10